



US00D780972S

(12) **United States Design Patent**
Morello et al.

(10) **Patent No.:** **US D780,972 S**
(45) **Date of Patent:** **** Mar. 7, 2017**

- (54) **SUSPENDED LIGHT FIXTURE**
- (71) Applicant: **ABL IP Holding LLC**, Conyers, GA (US)
- (72) Inventors: **Jared Timothy Morello**, Columbus, OH (US); **Yinan Wu**, Atlanta, GA (US); **Justin Thomas Moon**, Conyers, GA (US); **Bruce Allen Moore**, Buford, GA (US); **Jamie Jo Pearson**, Covington, GA (US)
- (73) Assignee: **ABL IP Holding LLC**, Decatur, GA (US)
- (**) Term: **14 Years**
- (21) Appl. No.: **29/522,855**
- (22) Filed: **Apr. 2, 2015**
- (51) **LOC (10) Cl.** **26-03**
- (52) **U.S. Cl.**
USPC **D26/72**
- (58) **Field of Classification Search**
USPC D26/72, 81
(Continued)

- (56) **References Cited**
U.S. PATENT DOCUMENTS
D688,405 S * 8/2013 Kim D26/72
D702,867 S * 4/2014 Kim D26/72
D741,533 S * 10/2015 Yeh D26/72

- FOREIGN PATENT DOCUMENTS**
EP 2806209 11/2014

- OTHER PUBLICATIONS**
Unknown, "Simon Full Size," (product description) retrieved from the internet on Jan. 12, 2015, 3 pages.

* cited by examiner

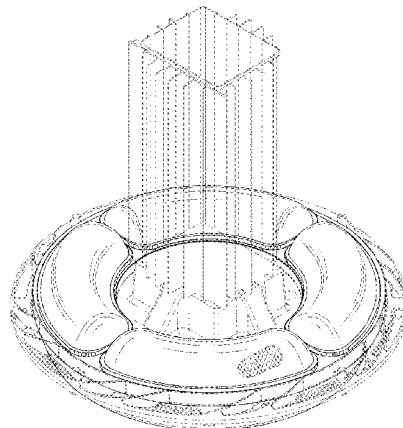
Primary Examiner — Brian N Vinson
(74) *Attorney, Agent, or Firm* — Kilpatrick Townsend & Stockton, LLP

(57) **CLAIM**
The ornamental design for a suspended light fixture, as shown and described.

DESCRIPTION

FIG. 1 is an isometric view of the suspended light fixture; FIG. 2 is a bottom plan view of the suspended light fixture; FIG. 3 is a top plan view of the suspended light fixture; FIG. 4 is a front side elevation of the suspended light fixture, a back side elevation, a left side elevation and a right side elevation being mirror images thereof; FIG. 5 is an isometric view of the suspended light fixture and additional structure that forms no part of the claimed design; FIG. 6 is a bottom plan view of the suspended light fixture and additional structure that forms no part of the claimed design; FIG. 7 is a top plan view of the suspended light fixture and additional structure that forms no part of the claimed design; FIG. 8 is a front side elevation of the suspended light fixture, and additional structure that forms no part of the claimed design, a back side elevation being a mirror image thereof; and, FIG. 9 is a left side elevation of the suspended light fixture, and additional structure that forms no part of the claimed design, a right side elevation being a mirror image thereof. Portions or features of the light fixture not shown in the drawings form no part of the claimed design. In FIGS. 1, 3, 4, 5 and 7, heavy broken lines indicate a boundary between the claimed design and unclaimed regions. In FIGS. 5-9, light broken lines indicate portions of the suspended light fixture that form no part of the claimed design. The patches of broken cross-hatching shown in FIGS. 1-9 are representative of possible visible texturing and are shown in broken lines so as to form no part of the claimed design.

1 Claim, 9 Drawing Sheets



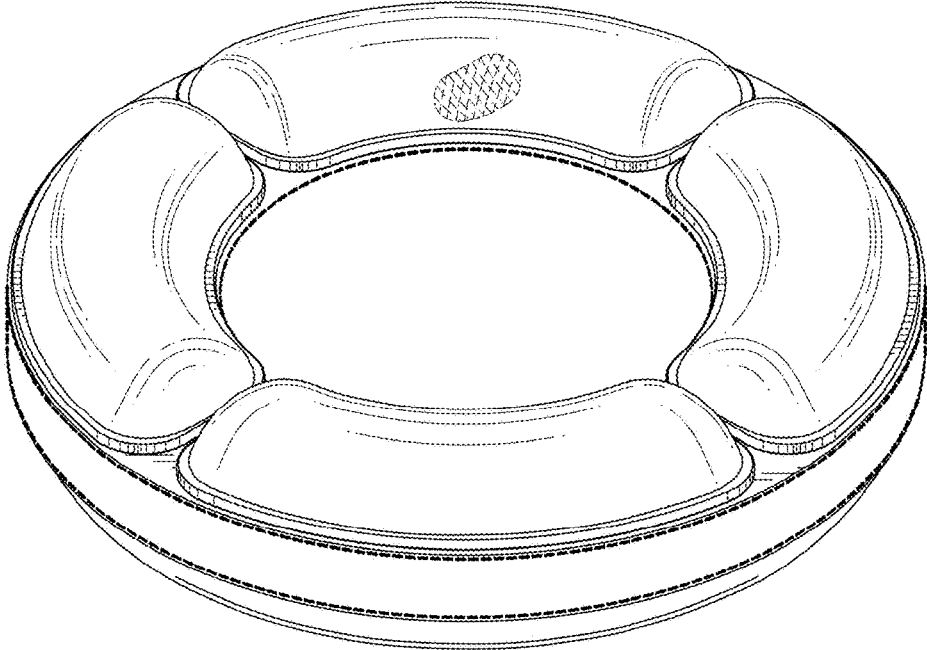


FIG. 1

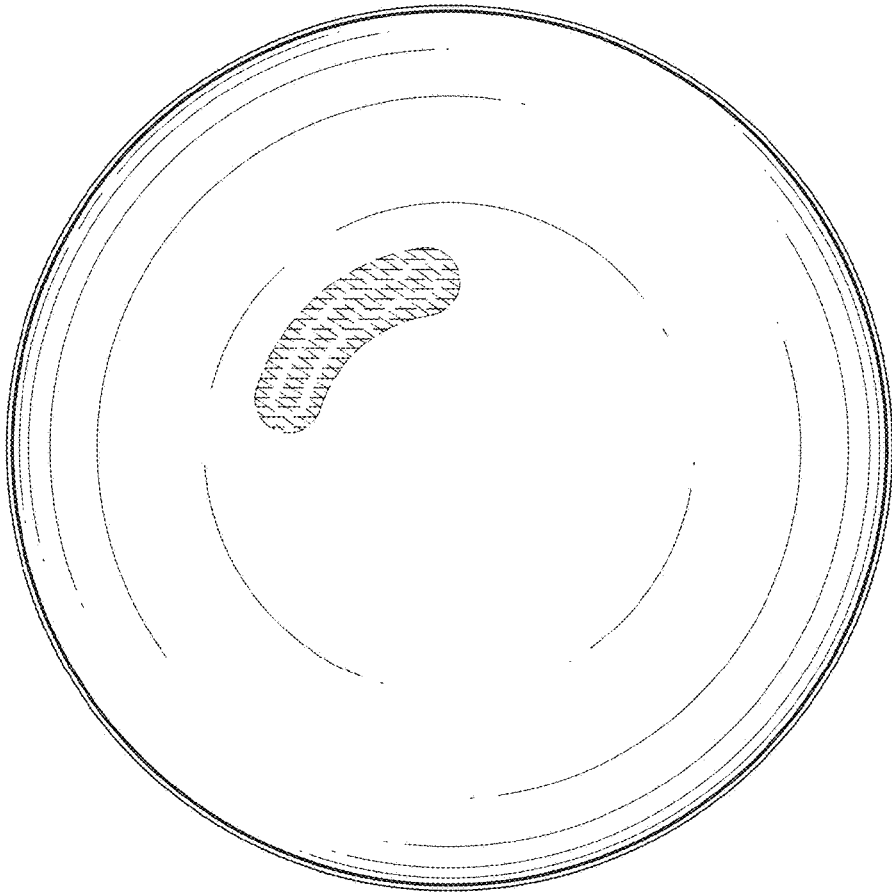


FIG.2

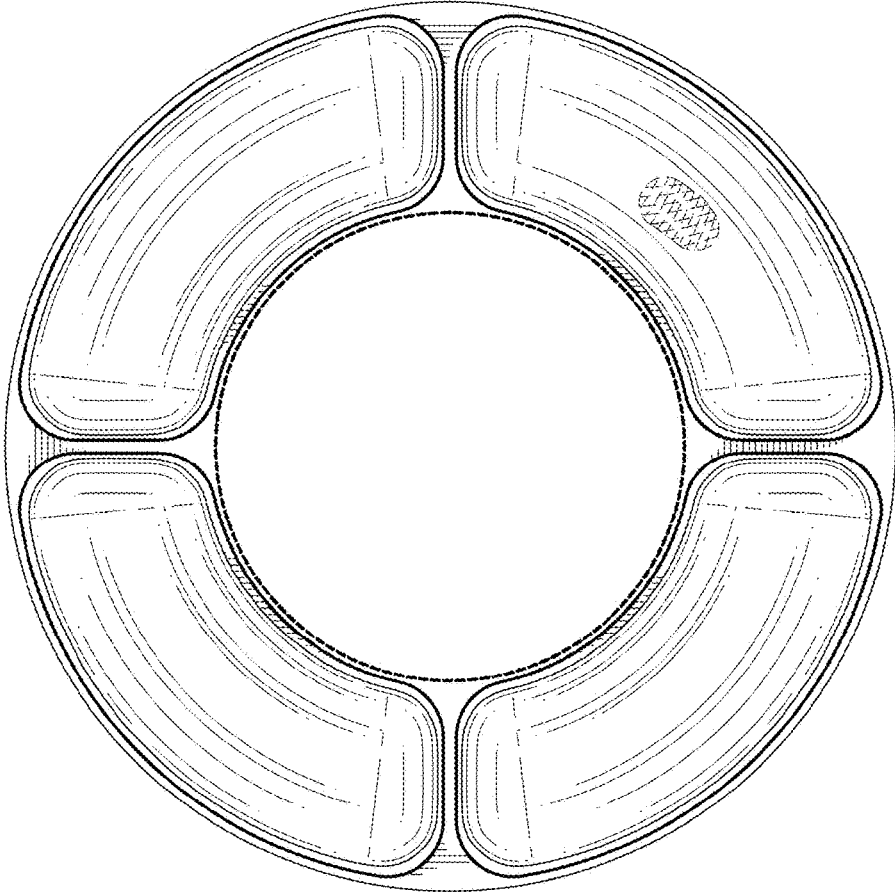


FIG.3

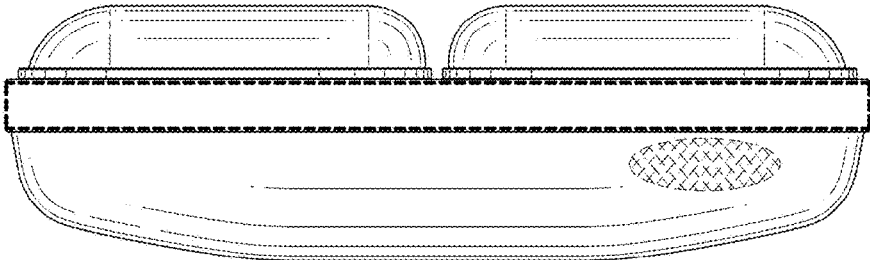


FIG.4

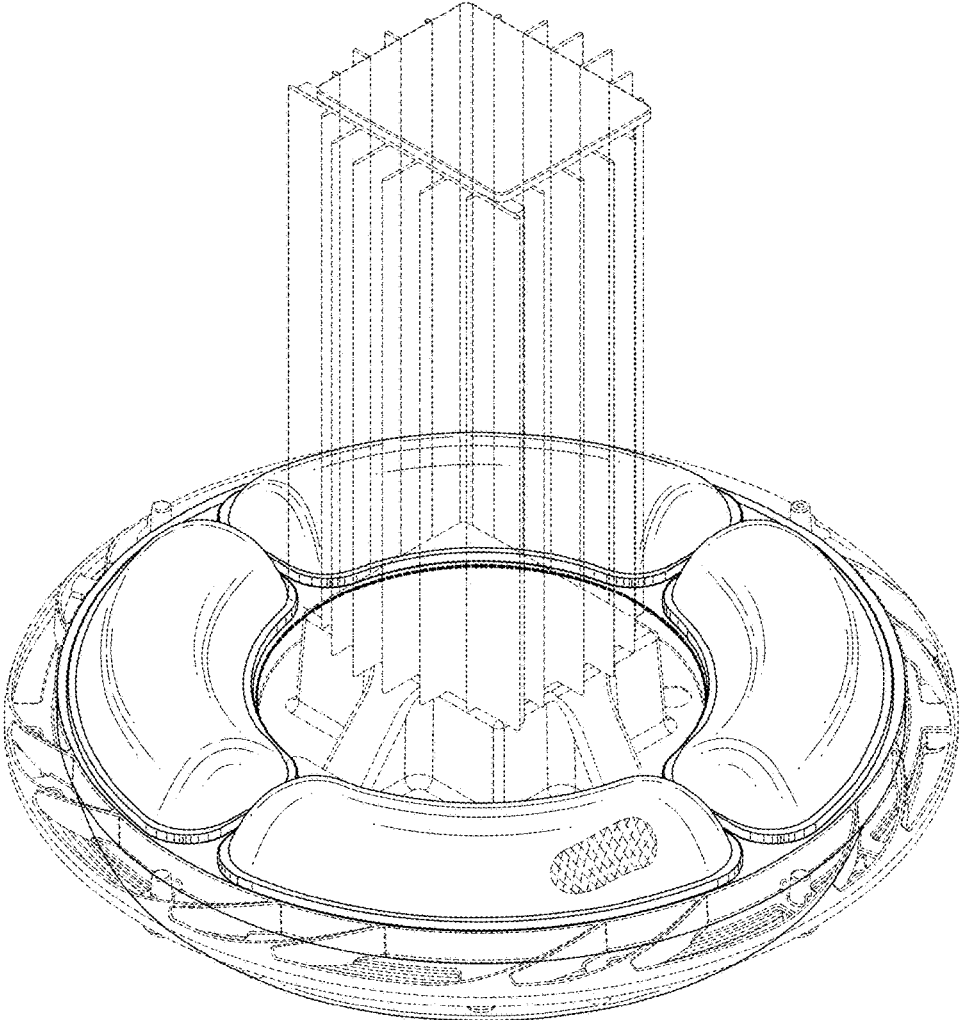


FIG.5

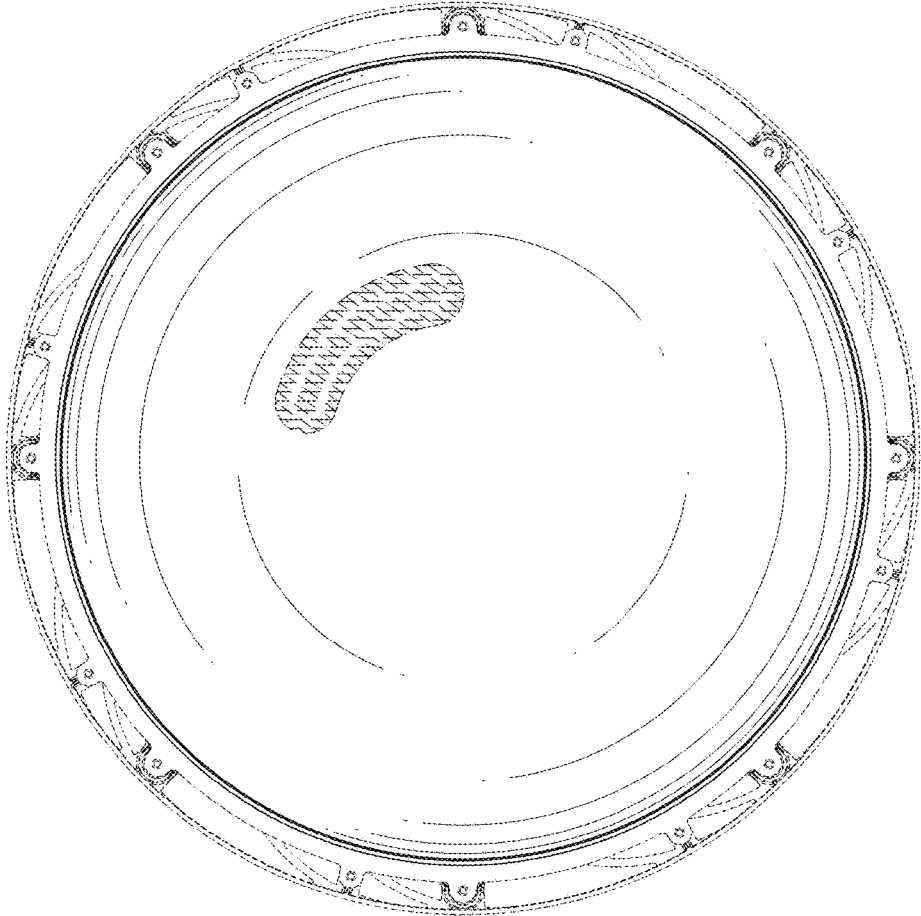


FIG.6

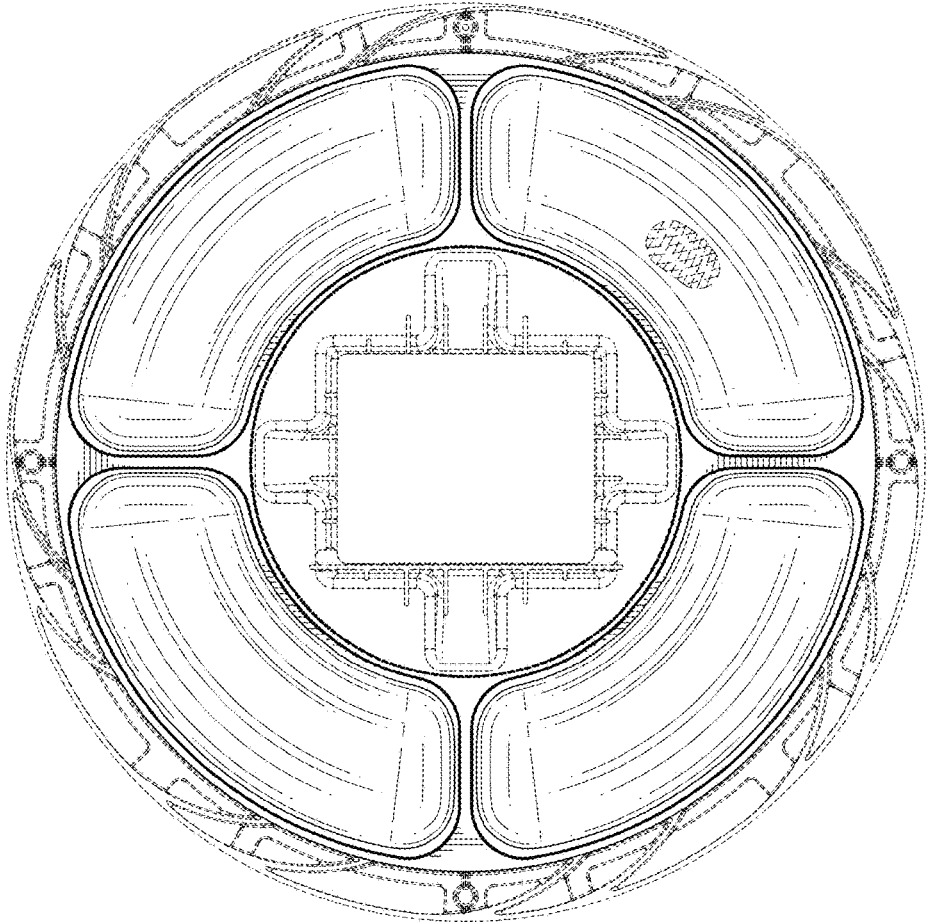


FIG. 7

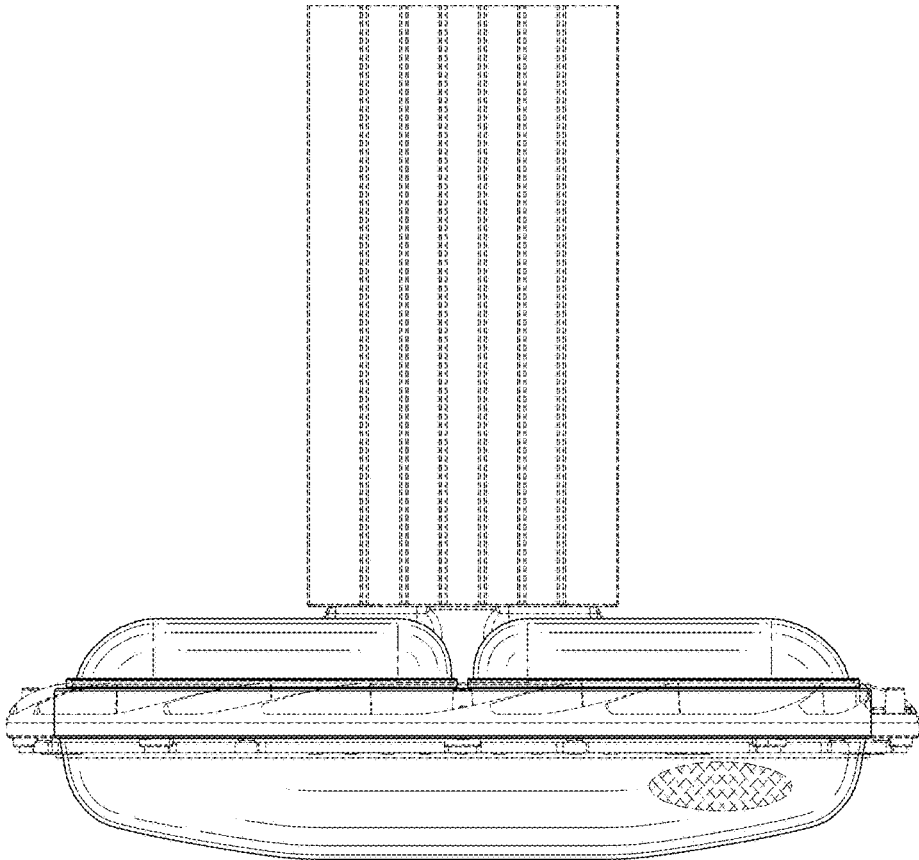


FIG. 8

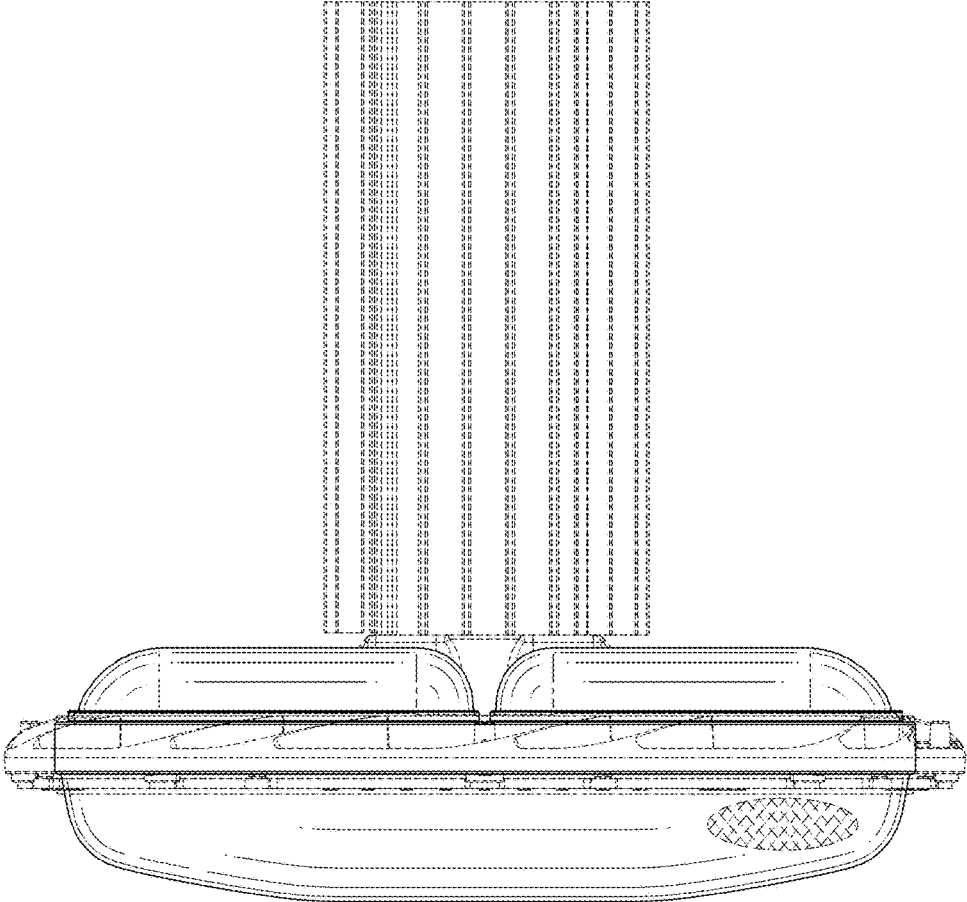


FIG.9