



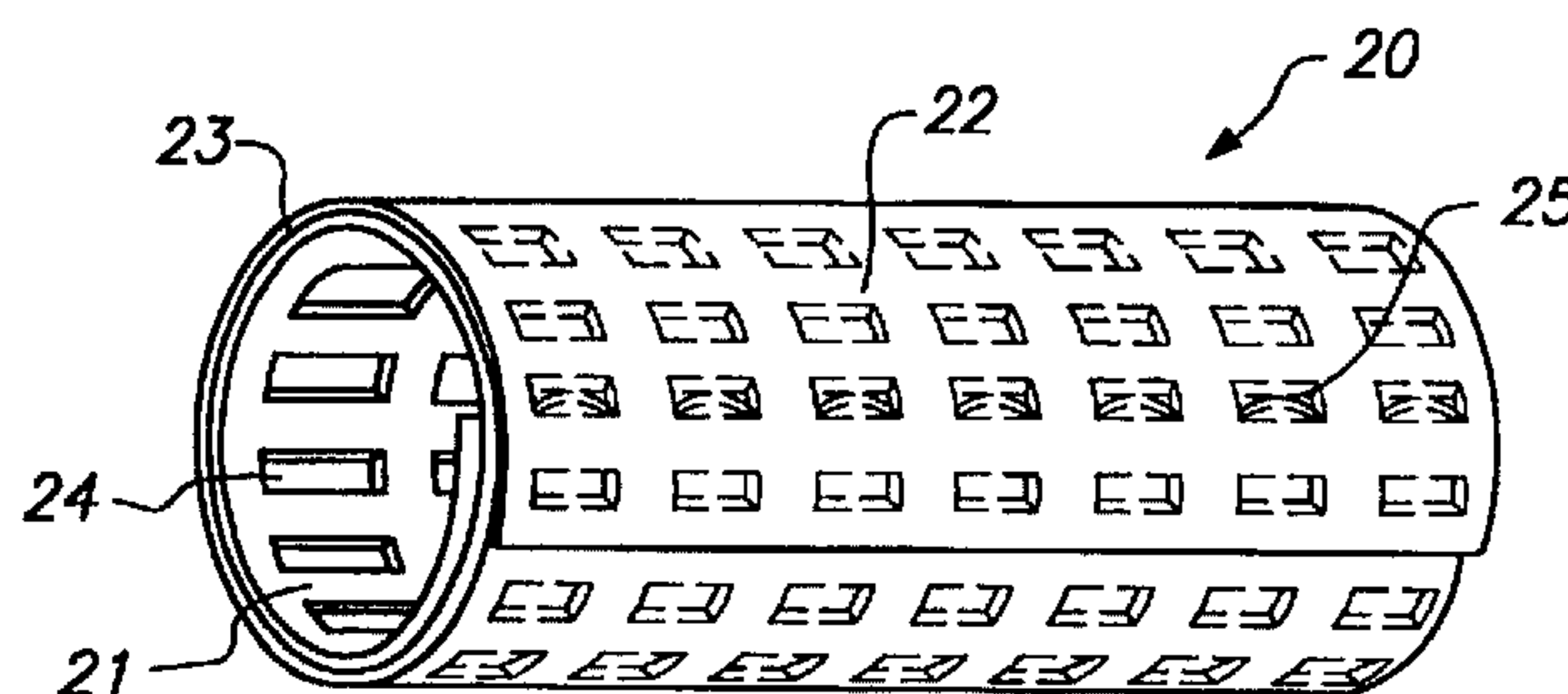
- (72) KHOSRAVI, FARHAD, US  
(72) HOGENDIJK, MICHAEL, US  
(72) SPRIDIGLIOZZI, JOHN, US  
(72) ROSS, MICHAEL R., US  
(72) PATEL, HIMANSHU, US  
(71) ENDOTEX INTERVENTIONAL SYSTEMS, INC., US

(51) Int.Cl.<sup>6</sup> A61F 2/06

(30) 1997/03/18 (08/820,213) US

(54) **GREFFON EN FEUILLE ENROULEE POUR LUMIERES  
SIMPLES ET EN FOURCHE, ET PROCEDES DE  
REALISATION ET D'UTILISATION**

(54) **COILED SHEET GRAFT FOR SINGLE AND BIFURCATED  
LUMENS AND METHODS OF MAKING AND USE**



(57) La présente invention concerne une prothèse permettant de traiter les anévrismes, les affections occlusives des vaisseaux et des organes anatomiques, ainsi que les fistules artério-veineuses, qui se produisent au niveau de lumières simples ou en fourche. Cette prothèse est constituée d'une partie en feuille enroulée déployable pourvue d'un greffon biocompatible en forme, soit de feuille, soit de tube, et s'y fixant par tout ou partie de la circonférence de la partie en feuille enroulée. Cette prothèse présente un petit profil d'insertion, ce qui fait qu'elle est particulièrement indiquée pour une grande variété de vaisseaux anatomiques. L'invention concerne également des procédés de réalisation et de déploiement de la prothèse au niveau de lumières simples et en fourche.

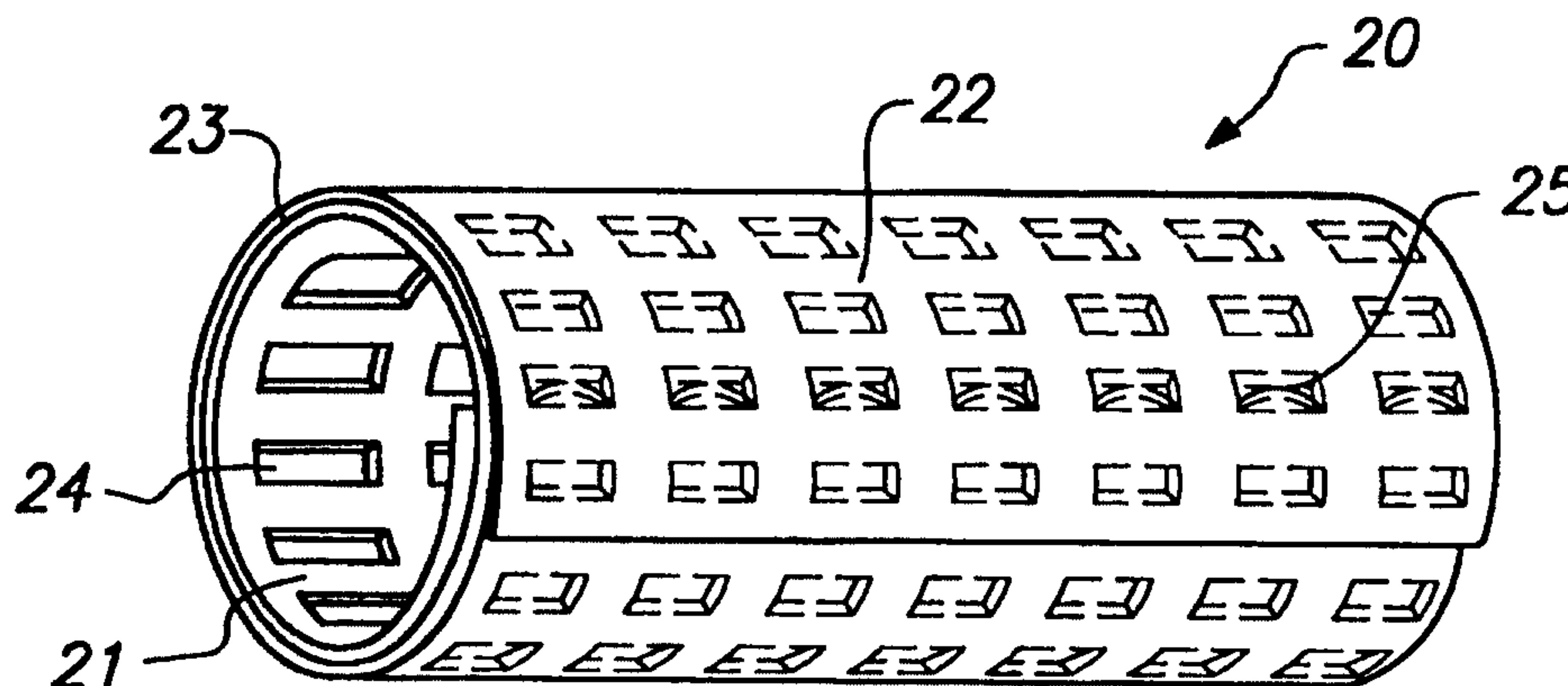
(57) A prosthesis is provided for treating aneurysms, occlusive disease of vessels and body organs, and arterio-venous fistulas, occurring in single and bifurcated lumens. The prosthesis comprises an expandable coiled sheet portion having a biocompatible graft, either a sheet or tube, affixed thereto along part or all of the circumference of the coiled sheet portion. The prosthesis has a small delivery profile, making it suitable for use in a variety of body vessels. Methods of making and deploying the prosthesis in single and bifurcated lumens are also provided.

**PCT**WORLD INTELLECTUAL PROPERTY ORGANIZATION  
International Bureau

## INTERNATIONAL APPLICATION PUBLISHED UNDER THE PATENT COOPERATION TREATY (PCT)

<p>(51) International Patent Classification <sup>6</sup> : A61F 2/06</p>	<p>A1</p>	<p>(11) International Publication Number: <b>WO 98/53765</b> (43) International Publication Date: 3 December 1998 (03.12.98)</p>
<p>(21) International Application Number: PCT/US98/05470 (22) International Filing Date: 18 March 1998 (18.03.98) (30) Priority Data: 08/820,213 18 March 1997 (18.03.97) US (71) Applicant: ENDOTEX INTERVENTIONAL SYSTEMS, INC. [US/US]; 1010 Hamilton Court, Menlo Park, CA 94025 (US). (72) Inventors: KHOSRAVI, Farhad; Apartment 212, 1700 De Anza Boulevard, San Mateo, CA 94403 (US). HOGENDIJK, Michael; Apartment 904, 501 Forest Avenue, Palo Alto, CA 94301 (US). SPIRIDIGLIOZZI, John; 604 Alameda de las Pulgas, Belmont, CA 94002 (US). ROSS, Michael, R.; 1415 Marlborough Road, Hillsborough, CA 94010 (US). PATEL, Himanshu; 1114 Nevada Avenue, San Jose, CA 95125 (US). (74) Agents: GERIAK, James, W. et al.; Lyon &amp; Lyon LLP, Suite 4700, 633 West Fifth Street, Los Angeles, CA 90071-2066 (US).</p>		<p>(81) Designated States: CA, JP, European patent (AT, BE, CH, DE, DK, ES, FI, FR, GB, GR, IE, IT, LU, MC, NL, PT, SE).  <b>Published</b> <i>With international search report.</i></p>

(54) Title: COILED SHEET GRAFT FOR SINGLE AND BIFURCATED LUMENS AND METHODS OF MAKING AND USE



## (57) Abstract

A prosthesis is provided for treating aneurysms, occlusive disease of vessels and body organs, and arterio-venous fistulas, occurring in single and bifurcated lumens. The prosthesis comprises an expandable coiled sheet portion having a biocompatible graft, either a sheet or tube, affixed thereto along part or all of the circumference of the coiled sheet portion. The prosthesis has a small delivery profile, making it suitable for use in a variety of body vessels. Methods of making and deploying the prosthesis in single and bifurcated lumens are also provided.

COILED SHEET GRAFT FOR SINGLE AND BIFURCATED LUMENS  
AND METHODS OF MAKING AND USE

Field Of The Invention

The present invention relates to prostheses  
5 for treatment of aneurysms, arterio-venous fistulas,  
obstructive vascular disease and other applications.  
More specifically, the present invention relates to  
prostheses including coiled sheet portions having a  
biocompatible material affixed thereto which may be  
10 used in a variety of applications as an internal  
bandage.

Background Of The Invention

Millions of people worldwide are afflicted  
each year with vascular diseases, ranging from vascular  
15 obstructive disease, such as arteriosclerosis, to  
diseases that weakened the arteries or other vessels,  
resulting in potentially fatal aneurysms and arterio-  
venous fistulas. Arterio-venous fistulas commonly  
occur other than by progression of natural disease, for  
20 example, as a result of accidents and gun-shot wounds.  
Each of these diseases has lead to the development of  
specialized treatments ranging from minimally-invasive



- 2 -

techniques to more conventional open surgical techniques.

For example, a health problem afflicting an older segment of the population is the occurrence of disease that weakens the arteries and other body vessels, developing into aneurysms that may rupture, often with fatal consequences. A conventional treatment of aneurysms, especially those occurring in the abdominal aorta, has involved invasive surgery to resect and remove the diseased body vessel and replace it with either a native vessel, harvested from elsewhere in the body, or a synthetic graft material. Such treatments typically pose a major risk to the patient's health, and frequently cannot be undertaken at all, if (as is common) the patient is in poor health.

A number of vascular prostheses have therefore been developed that permit a synthetic graft to be placed transluminally within the aneurysm, to isolate the aneurysm from fluids flowing in the body vessel and which relieve pressure from the aneurysm. These previously known vascular prostheses generally anchor a tubular synthetic graft inside the body vessel, on either end of the aneurysm, using a stent, as described, for example, in U.S. Patent No. 5,078,726 to Kreamer and U.S. Patent No. 5,219,355 to Parodi et al.

Similarly, U.S. Patent No. 5,456,713 to Chuter and U.S. Patent No. 5,275,622 to Lazarus describe stent-graft combinations, delivered transluminally, comprising a tubular graft having barbed self-expanding anchors secured by sutures to the ends of the tubular graft. U.S. Patent No. 5,366,473 to Winston et al. describes a stent graft combination

- 3 -

wherein a tubular graft has a self-expanding coiled sheet stent riveted to either end of the graft.

A drawback of the foregoing stent-graft systems is that they generally require a large access site (e.g., 16-22 Fr), which limits the applicability of such devices to larger vessels. Specifically, the graft material generally must be bunched or gathered to fit within the delivery system, as described in the above-mentioned Chuter, Winston et al. and Lazarus patents, but cannot be compacted within the delivery system, or problems may arise relating to unfurling of the graft during deployment. In addition, clinical testing of previously-known stent-graft combinations has revealed problems with inadequate sealing between the graft material and the anchors, and where the graft contacts the body lumen proximally and distally of the aneurysm.

Other arrangements for isolating aneurysms are also known. U.S. Patent No. 4,577,631 to Kreamer describes a method of gluing a graft across an aneurysm using a biocompatible adhesive. U.S. Patent No. 4,617,932 to Kornberg describes a bifurcated graft that is engaged to a vessel wall using hooks. U.S. Patent No. 5,575,817 to Martin describes a bifurcated graft where an extension is added to one of the legs of the graft after a main body of the graft has been deployed. U.S. Patent No. 5,211,658 to Clouse describes a stent-graft combination wherein a temperature activated skeleton is first deployed in a body lumen so that it spans an aneurysm; a graft then is affixed to the deployed skeleton. U.S. Patent No. 5,405,379 to Lane describes a polypropylene sheet which is rolled into a coil, and permitted to self-expand within the body lumen so that it spans the aneurysm. U.S. Patent No.



5,100,429 to Sinofsky et al. describes a coiled sheet stent including a layer of collagen-based material which is heated by an energy source so that it fuses to form a rigid structure.

5 Each of the foregoing arrangements has inherent disadvantages peculiar to their designs that makes the use of such designs impractical. These disadvantages range from the mechanical complexity of the Kreamer, Clouse and Sinofsky et al. designs, to the  
10 inability to obtain an adequate seal at ends of the device, as in the Kornberg, Martin and Lane devices.

With respect to treatment of obstructive vascular disease, a number of prostheses have been developed for intraluminal deployment. These devices,  
15 of which the Palmaz-Schatz stent sold by Cordis Corporation, Miami Lakes, Florida, is typical, treat obstructive disease, for example, in the coronary arteries, by retaining the patency of vessel following an angioplasty procedure. Most previously known  
20 prostheses designed to treat obstructive disease include a plurality of throughwall openings to promote cellular proliferation. A drawback of such designs, however, is that the openings may also promote re-formation of the obstruction over time.

25 Previously known techniques for treating arterio-venous fistulas, which permit oxygenated blood to be shunted from an artery directly to the venous system, typically involve open surgery. Thus, for example, a gun-shot victim, given the present state of  
30 the art, must undergo surgery to repair an arterio-venous fistula. The present state-of-the art lacks any devices which may be readily deployed, even on an interim basis, to prevent excessive blood loss while awaiting surgery.

WO-A-97/09007 discloses a graft/stent that includes a compliant tube within which are secured a plurality of expandable or contractible open rings. The rings are spaced apart from one another along the length of the tube and are independently attached to the tube.

From EP-A-0 621 017 a variety of ratcheting coiled sheet stents is known.

- 5 -

In view of the foregoing, it would be desirable to provide a prosthesis for treating aneurysms, obstructive disease of vessels and body organs, and arterio-venous fistulas, that is simple in design and easily deployed.

It would further be desirable to provide a prosthesis for treating aneurysms, obstructive disease of vessels and body organs, and arterio-venous fistulas, that overcomes problems associated with the bulkiness of prior art stent-graft systems, and that can be readily scaled for use in a variety of vessels, thereby enabling treatment of disease in even very small body lumens.

It would further be desirable to provide a prosthesis for treating aneurysms, obstructive disease of vessels and body organs, and arterio-venous fistulas, that may be readily deployed in a bifurcated vessel.

It would still further be desirable to provide a prosthesis for treating aneurysms, obstructive disease of vessels and body organs, and arterio-venous fistulas, that provides an internal bandage, for example, that can stem blood loss through an arterio-venous fistula, or provide a positive seal at the ends of a graft to reduce bypass flow.

#### Summary Of The Invention

In view of the foregoing, it is an object of the present invention to provide a prosthesis for treating aneurysms, obstructive disease of vessels and body organs, and arterio-venous fistulas, that is simple in design and easily deployed.

It is another object of this invention to provide a prosthesis for treating aneurysms,



- 6 -

obstructive disease of vessels and body organs, and arterio-venous fistulas, that overcomes problems associated with the bulkiness of prior art stent-graft systems, and that can be readily scaled for use in a variety of vessels, thereby enabling treatment of disease in even very small body lumens.

It is a further object of the present invention to provide a prosthesis for treating aneurysms, obstructive disease of vessels and body organs, and arterio-venous fistulas, that may be readily deployed in a bifurcated vessel.

It is a yet further object of the invention to provide a prosthesis for treating aneurysms, obstructive disease of vessels and body organs, and arterio-venous fistulas, that provides an internal bandage, for example, that can stem blood loss through an arterio-venous fistula, or provide a positive seal at the ends of a graft to reduce bypass flow.

These and other objects of the invention are accomplished by providing a prosthesis comprising a coiled sheet portion having biocompatible graft material affixed thereto, so that the graft material is at least partially wound within the coiled sheet portion when it is contracted to its delivery state. The graft material may comprise a sheet or tube that is affixed along a part or all of the circumference of the coiled sheet portion, and serves to alter flow to a portion of a body lumen in which the prosthesis is deployed. The graft may be affixed to an interior or exterior surface of the coiled sheet portion, or may comprise several layers. The prosthesis may be configured for use in a single or bifurcated organ or vessel.



- 7 -

In a preferred embodiment, the coiled sheet portion of the prosthesis comprises a mesh formed from a shape-memory alloy, such as a nickel-titanium alloy, that exhibits super-elastic behavior at body  
5 temperature. The coiled sheet preferably includes one or more rows of locking teeth along a longitudinal edge that interengage the mesh to retain the prosthesis at a desired expanded diameter. In addition, the mesh may include a plurality of radially outwardly directed  
10 projections along one or both ends that engage an interior surface of a body lumen.

The mesh of the coiled sheet may have a size suitable for use in smaller body arteries, such as the coronary arteries and carotid arteries, or may be  
15 scaled to accommodate larger vessels such as the abdominal aorta and iliac arteries. For larger vessels, the mesh of the coiled sheet may include articulations to assist in maneuvering the prosthesis through tortuous body passageways.

20 The graft material used in the prosthesis of the present invention may be either fluid impermeable, for example, for treating arterio-venous fistulas or semi-permeable, for example, to permit nourishment of vessel intima when treating occlusive vascular disease  
25 while reducing throughwall cell proliferation. The graft material may also be impregnated with one or more drugs to achieve to provide a desired effect. The graft material may also serve to reduce embolization of frangible material from the interior of body lumen  
30 following, for example, an angioplasty procedure.

In addition to the foregoing applications, a pair of prostheses constructed in accordance with the present invention may be advantageously employed, one

- 8 -

at either end, for positively sealing the ends of a conventional tubular graft.

Methods of making and deploying the prosthesis of the present invention in single and bifurcated lumens are also provided. In accordance with these methods, the prosthesis is first deployed in a body lumen from a reduced delivery state. A dilatation element is then disposed within the prosthesis and expanded, thereby locking the prosthesis at an expanded diameter and positively sealing the graft material against the interior surface of the body lumen.

#### Brief Description Of The Drawings

Further features of the invention, its nature and various advantages will be more apparent from the accompanying drawings and the following detailed description of the preferred embodiments, in which:

FIG. 1 is a perspective view of an illustrative prosthesis constructed in accordance with the present invention;

FIGS. 2A and 2B are end views showing the prosthesis of FIG. 1 in its contracted state and expanded state, respectively.

FIG. 3 is a plan view of the prosthesis of FIG. 1 unrolled during a step of manufacturing;

FIGS. 4A-4F are cross-sectional views taken along view line 4--4 of FIG. 3 and a plan view (FIG. 4D) of alternative embodiments of a prosthesis constructed in accordance with the present invention;

FIGS. 5A-5C are views showing the steps of deploying the prosthesis of FIG. 1 to span an idealized aneurysm in a single lumen;



- 9 -

FIGS. 6 and 7 are plan views of alternative articulated mesh designs suitable for use with the prosthesis of the present invention; and

FIGS. 8A and 8B are perspective and plan views, respectively, of a prosthesis employing a coiled sheet mesh designed for large vessels, in which the detail of FIG. 8B has been omitted from FIG. 8A for clarity;

FIGS. 9A and 9B are front and side elevation views, respectively, of a further alternative embodiment of the prosthesis of the present invention;

FIG. 10 is a side view showing implantation of a tubular graft with the prosthesis of FIG. 9A;

FIGS. 11A and 11B are plan and side views, respectively, of another alternative embodiment of the prosthesis of the present invention;

FIG. 12 is a perspective view of another a still further alternative embodiment of a prosthesis constructed in accordance present invention;

FIGS. 13A and 13B are end views showing the prosthesis of FIG. 12 in its contracted state and expanded state, respectively;

FIGS. 14A and 14B are, respectively, views of an embodiment of the prosthesis suitable for treating a bifurcated lumen in an uncoiled state, and as deployed in a bifurcated lumen;

FIGS. 15A and 15B are views showing the steps of deploying the prosthesis of FIGS. 14 to treat an aneurysm in a bifurcated lumen; and

FIGS. 16A and 16B are views showing the steps of deploying an alternative embodiment of the prosthesis of FIGS. 14 to treat an aneurysm in a bifurcated lumen.

- 10 -

Detailed Description Of The Invention

The present invention provides prostheses for treating aneurysms, obstructive disease of vessels and body organs, and arterio-venous fistulas, that overcome  
5 the limitations of previously known minimally-invasive treatment systems. In particular, a prosthesis constructed in accordance with the present invention provides altered fluid flow through a section of a single or bifurcated body lumen with a device that is  
10 simple, yet elegant in design, easy to deploy, is readily scalable for use throughout the body, and provides the functionality of an internal bandage.

Referring to FIG. 1, illustrative prosthesis  
10 constructed in accordance the present invention is described. Because prosthesis 20 includes certain  
15 features of both conventional coiled sheet stents, as described, for example, in U.S. Patent No. 5,443,500 to Sigwart, incorporated herein by reference, and  
conventional synthetic tubular grafts, it is referred  
20 to hereinafter as a "graft stent."

Graft stent 20 comprises coiled sheet portion  
21 including a resilient lattice or mesh onto which a layer of biocompatible graft material 22 has been  
affixed. Graft material 22 may have a permeability  
25 selected to address a particular application, and may be impregnated with one or more drugs to effect a desired treatment. Thus, for example, graft material 22 may be selected to be fluid impervious for arterio-venous fistula applications, but may be selected to be  
30 semi-permeable for applications where it is desired to permit nutrients to pass through the graft material, yet prevent cell proliferation therethrough. In yet other applications, the graft material may include a



- 11 -

porosity sufficient to maintain a pressure differential between fluids disposed on either side.

Graft stent 20 preferably comprises a biocompatible material, such as a shape-memory alloy (e.g., nickel-titanium), while biocompatible graft material preferably comprises a PTFE or polyester fabric. Graft material 22 is affixed to coiled sheet portion 21 by any of the methods described hereinbelow, including biocompatible adhesive 23, by sintering, sutures, or any combination of thereof. Graft stent 20 may include a single coiled sheet portion sandwiched between multiple layers of graft material, or a single layer of graft material sandwiched between multiple coiled sheet portions.

In the embodiment of FIG. 1, graft material 22 is affixed to coiled sheet portion 21 so that the graft material is wound within the series of overlapping turns of the coiled sheet portion when the prosthesis is wound to a reduced-diameter delivery (or "contracted") state, as shown in FIG. 2A. When the coil sheet portion is preferably biased to return to its larger-diameter deployed (or "expanded") state, as shown in FIG. 2B. In alternative embodiments, described hereinbelow with respect to FIG. 12, graft material 22 may comprise a solid tube, so that coiled sheet portion 21 is affixed within the tubular graft along a portion of the circumference of the coiled sheet portion.

Referring to FIG. 3, coiled sheet portion 21 of graft stent 20 is shown disposed on a sheet of graft material 22 during a step in the process of assembling graft stent 20. Coiled sheet portion 21 comprises a thin flat sheet of material, about 1.0 to 5.0 mils thick, which is formed into a lattice having a

- 12 -

multiplicity of openings 24, for example, by die and punch, laser cutting or chemical etching. Openings 24 reduce the overall mass of the graft stent, provide some longitudinal flexibility when the graft stent is contracted, and may be used to enhance fixation of the graft material to the coiled sheet portion, as described hereinbelow. Openings 24 may be triangular-shaped, diamond-shaped, rectangular-shaped or circular-shaped, or any combination thereof, and are preferably arranged in a lattice that provides about 50% open space or more.

Alternatively, coiled sheet portion 21 be formed from a plurality of interwoven wires that are welded together around the circumference of the coiled sheet portion, such as described in U.S. Patent No. 5,007,926 to Derbyshire, which is incorporated herein by reference. The intersections of the wires also may be welded together, and the sheet may be swaged to reduce its thickness.

In accordance with the present invention, coiled sheet portion 21 of graft stent 20 preferably includes one or more rows of teeth 25 adjacent to one edge that mate with openings 26 on an opposing overlapping edge of the coiled sheet. Teeth 25 lock the graft stent at a selected expanded diameter, as described in the incorporated Sigwart and Derbyshire patents. This locking action provides a tight seal of the graft material against the interior surface of the body lumen. When used to treat obstructive vascular disease, the tight seal serves to retain patency of the vessel and reduce the potential for embolization; for arterio-venous fistulas, the seal reduces shunted flow; for aneurysms, the seal reduces the risk of bypass flow around the edges of the graft stent. In a preferred



- 13 -

embodiment, teeth 25 are sufficiently long to engage mating openings 26 so as to stretch any graft material covering openings 26, but without perforating that graft material.

5                   Alternatively, graft stent 20 may be secured in place in the body lumen using a coiled sheet portion that retains several overlapping turns even in the expanded state, as described, for example, in U.S. Patent No. 5,306,294 to Winston et al.

10                   Coiled sheet portion 21 may be formed from any biocompatible material, such as a thermal shape-memory polymer or metal, super-elastic material such as a nickel-titanium alloy, or other biocompatible resilient material such as a stainless steel, tantalum,  
15 platinum or tungsten alloy. In a preferred embodiment, a nickel-titanium alloy is used that has an austenite transition temperature slightly below body temperature, so that the coiled sheet portion exhibits super-elastic behavior when deployed. Also in the preferred  
20 embodiment, the nickel-titanium coiled sheet portion is heat treated, using processes known in the art, for activating the shape-memory effect of the material so that the coiled sheet portion has an expanded diameter in the austenite phase.

25                   Coiled sheet portion 21 of graft stent 20 may be formed in a variety of sizes depending upon the intended application. For example, a graft stent for use in the treatment of aneurysms of the abdominal  
30 diameter of 2-4 cm, while a graft stent for use in a main branch artery, or the iliac arteries, may require a length of 2-8 cm and an expanded diameter of 8-12 mm. Of course, graft stents for use in other vessels, for example, to treat A-V fistulas or obstructive disease,

- 14 -

may be smaller. While graft stents for use in vessels under about 2.0 cm may employ a single coiled sheet portion 21 (as shown in FIG. 3), in accordance with the present invention, multiple coiled sheet portions also  
5 may be used to built longer graft stents. In addition, as described hereinafter, the graft stent of the present invention may be advantageously used to anchor a conventional tubular graft in place across a large aneurysm.

10 Referring now to FIGS. 3 and 4A-4F, the process of making a graft stent in accordance with the present invention is described. While the graft stent of FIG. 3 comprises one coiled sheet portion 21, several such coiled sheet portions 21 may be laid side-  
15 by-side, thereby providing a graft stent with an overall length about several times that of graft stent 20 of FIG. 3. Coiled sheet portion 21 is disposed on a sheet of biocompatible graft material 22, such as PTFE or polyester fabric. The coiled sheet portion 21 is  
20 then fastened to the sheet of graft material using one or more of the methods described hereinbelow. Any excess portion of the sheet may then be trimmed away, for example, with a razor knife to form the completed graft stent. The graft stent is then sterilized, for  
25 example, using a conventional ethylene oxide process.

In a first method of construction, shown in FIG. 4A, coiled sheet portion 21 is coated with a thin layer of biocompatible adhesive 27 (for example, with a brush or by dipping), such as a liquid polyurethane  
30 resin or epoxy. Adhesive 27 preferably remains flexible when dry. While the adhesive is still wet, coiled sheet portion 21 is positioned on graft material 22 as shown in FIG. 3. When adhesive 27 dries, it bonds coiled sheet portion 21 to graft material 22. If



- 15 -

several unconnected coiled sheet portions are employed, adhesive 27 also provides a joint between the neighboring coiled sheet portions. Excess portions 28 of graft material 22 (for example, around the edges of coiled sheet portion 21) may then be trimmed to complete assembly of the graft stent.

When finished, a graft stent constructed by the above-described process has a cross-section similar to that depicted in FIG. 4A, in which adhesive 27 forms a layer, preferably about 0.1 mil thick, that bonds graft material 22 to the outer surface of coiled sheet portion 21. Adhesive 27 also extends slightly into openings 24. Applicant has observed that a layer of polyurethane adhesive, employed as described above with respect to FIGS. 3 and 4A, provides good column strength in a graft stent built from a plurality of separate coiled sheet portions. Accordingly, the graft stent of the present invention may be built up to any desired length using the process described hereinabove.

In FIG. 4B, an alternative method of making a graft stent by sintering graft material to a coiled sheet portion is described. In this embodiment, coiled sheet portion 21 is sandwiched between two layers of a biocompatible graft material 22', such as PTFE. The assembly is then heated to raise the graft material to a temperature at which the two layers contact one another through the multiplicity of openings 24, and fuse or sinter together, thereby forming a waffle shape. Pressure may be applied to the assembly during the heating process to accelerate the fusing or sintering step. In addition, sutures or a thin layer of biocompatible adhesive may be employed to retain the assembly together prior to the heat treatment. Consequently, the two layers of graft material 22'

- 16 -

disposed on the opposite sides of coiled sheet portion 21 form a single fused layer within which coiled sheet portion 21 is embedded.

In FIG. 4C another method of making a graft stent is described. In this method, the coiled sheet portion is dipped into a liquid polymer, such as urethane. The coiled sheet portion is then withdrawn from the liquid polymer so that the liquid forms a film 29 extending across the multiplicity of openings 24 in the coiled sheet portion 21. The coiled sheet portion may then be disposed on a section of graft material, as in the first method described above, so that the coated stent portion adheres to the graft material. Alternatively, the liquid polymer film 29 may be permitted to air dry without being bonded to a graft portion. In this latter embodiment, the polymer film itself serves as the graft material.

With respect to FIG. 4D, yet another method of making a graft stent of the present invention is described. In the embodiment of FIG. 4D, graft stent 30 is formed by sewing or suturing coiled sheet portions 21 to graft material 22, with stitches or sutures 31 extending through some of the multiplicity of openings of the coiled sheet portion. In a preferred method, the coiled sheet portions are first dipped in a biocompatible adhesive and adhered to the graft material to retain the graft material in a desired relation to the coiled sheet portion. Biocompatible stitches or sutures 31 are then applied by machine or by hand along the edges and at intervals along the graft material to affix the graft material to the coiled sheet portion.

With respect to FIG. 4E, a graft stent is formed by first sewing two pieces of graft material 22



- 17 -

together along three sides to form a "pillow case" structure. Coiled sheet portion 21 is then inserted within the pillow case structure, so that the edge carrying the locking teeth projects from the open edge. 5 The graft material is then affixed to coiled sheet portion 21 with single machine-stitched or hand-stitched seam. The embodiment of FIG. 4D enables the graft material to experience some lateral movement with respect to the coiled sheet portion, which may be 10 desirable in certain circumstances.

In FIG. 4F, a yet further alternative embodiment is the graft stent of the present invention is described. Graft stent 33 comprises a single sheet of graft material 22 sandwiched between two coiled 15 sheet portions 21. Coiled sheet portions 21 may be glued together by a suitable biocompatible adhesive, or stitched or sutured to one another, thereby trapping the graft material in between the coiled sheet portions. Alternatively, one of the coiled sheet 20 portions may include projections, while the other includes mating sockets to accept the projections, thereby retaining the assembly together. The embodiment of FIG. 4F of the invention is particularly well-suited for addressing problems relating to in-situ 25 swelling of graft material in prior art grafts, because swelling of the graft material is limited by the coiled sheet portions.

Advantageously, with respect to the above-described embodiments of the present invention, because 30 the lattice of the coiled sheet portion does not undergo longitudinal or radial distortion during deployment, the graft material of the graft stent of the present invention is not subjected to stress or

- 18 -

distortion that could lead to perforation of the graft material during deployment and use.

In addition, as a further step of the manufacture of any of the above embodiments of the graft stent of the present invention, the graft material may be impregnated with one or more drugs to achieve a desired treatment goal. For example, the outer surface of the graft stent may be coated with an anti-heparin drug, such as Proamine, to enhance clotting of blood captured outside the graft stent (for example, to promote thrombosis within an aneurysm or to prevent embolization of frangible material from the vessel wall), and may include a coating of a heparin-type compound on the inner surface of the graft stent to reduce the risk of thrombosis within the vessel.

Referring now to FIGS. 5A-5C, the steps of deploying the graft stent of the present invention to treat an idealized aneurysm in a single lumen portion of a vessel are described. It will be understood, however, that the steps of deploying a graft stent to treat an A-V fistula or obstructive disease of a vessel or body-organ apply equally.

Graft stent 35 is formed using the components and the methods of manufacture described hereinabove. The graft stent is then rolled about a mandrel in a direction indicated by arrow A in FIG. 3 (so that teeth are inside the coil) to a contracted state for delivery. As of course will be understood by one skilled in the art, graft stent is contracted to the reduced diameter by winding the coiled sheet portion to form a series of overlapping turns. The contracted graft stent is then loaded into a sheath for delivery, as described, for example, in Sigwart U.S. Patent 5,443,500 or Garza et al. U.S. Patent No. 4,665,918,



- 19 -

the entireties of which are incorporated herein by reference, which retains the graft stent in its contracted diameter.

In FIG. 5A, graft stent 35 is shown rolled to its contracted state and disposed within delivery system 40, such as described in the above-incorporated Garza et al. patent. For clarity, the detail of the lattice of graft stent 35 is omitted in FIGS. 5A-5C. Delivery system 40 includes catheter 41 having a central lumen for accepting guide wire 42, nose cone 43 and outer sheath 44. Delivery system 40 is inserted into body lumen 200 to be treated, for example, having aneurysm 201, through a major vessel along guide wire 42, as is well-known in the art, until the mid-point of the graft stent is located within aneurysm 201.

Once the location of delivery system 40 is established, for example, using fluoroscopy and standard angiographic techniques, outer sheath 44 of the delivery system is retracted to release graft stent 35 into body lumen 200 so that it spans aneurysm 201. When released from outer sheath 44, graft stent 35 unwinds at least partially to conform to the diameter of the body lumen.

With respect to FIG. 5B, mechanical expander 45, which may be a balloon catheter 46 carrying compliant balloon 47, is transluminally inserted within graft stent 35 and expanded. As balloon 47 expands, graft stent 35, the teeth on the inner edge ratchet across the openings in the opposing edge of the graft stent, so that the graft is locked at progressively larger diameters (as seen in FIG. 2B). Balloon 47 may be inflated, for example, while visualized with conventional fluoroscopic and angiographic techniques, until graft stent 35 is expanded to a diameter at which

- 20 -

the teeth of the coiled sheet portion positively lock the graft stent against the healthy portions of body lumen 200 and prevent bypass flow through aneurysm 201.

Once graft stent 35 has been locked into  
5 position within body lumen 200, balloon 47 is contracted, and balloon catheter 46 is withdrawn from the body lumen. Because the teeth interengage with the openings on the opposing overlapping edge of the graft stent, graft stent 35 retains the expanded diameter  
10 attained during the step of the balloon expansion, as illustrated in FIG. 5C, and does recoil elastically to the shape assumed when initially released from outer sheath 44.

Importantly, because graft stent 35 is  
15 elastically expanded by unwinding from its rolled position, no stress is applied to the graft material, thereby reducing the risk of perforation. Moreover, since the graft stent of the present invention preferably comprises a coiled sheet portion formed from  
20 a super-elastic shape memory alloy, such as a nickel-titanium alloy, the graft stent may be conformed to a wide range of body lumen diameters while providing adequate radial strength.

As also will be apparent to one of skill in  
25 the art, the graft stent of the embodiment of FIG. 1 is distinguished from other previously known stent graft combinations in that while the graft material covers the stent, no bunching or gathering of the graft material occurs when the graft stent is contracted to  
30 its delivery diameter. Instead, the graft material is wound along with the coiled sheet portion of the graft stent to a contracted diameter for delivery, and features a longitudinal seam that is closed only when the graft stent is fully deployed. Accordingly, the



- 21 -

graft stent of the present invention may be contracted to extremely small diameters, enabling the use of grafts in vessels not accessible using previously known stent graft delivery systems.

5 Referring now to FIGS. 6 and 7, alternative embodiments of the coiled sheet portion of the inventive graft stent are described. Coiled sheet portion 50 of FIG. 6 comprises a plurality of elements 51 joined by serpentine articulations 52, while coiled  
10 sheet portion 55 of FIG. 7 comprises a plurality of elements 56 joined by linear articulations 57. Coiled sheet portions 51 and 56 illustratively employ the lattice design of coiled sheet portion 11 of FIG. 2. Articulations 52 and 57 are contemplated to give coiled  
15 sheet portions 50 and 55, respectively, greater flexibility for passing through tortuous body lumens.

FIGS. 8A and 8B provide a further alternative for creating graft stent 60 for use in larger vessels. FIG. 8B depicts coiled sheet portion 61 having a  
20 variable geometry of openings 62 in the mesh lattice. The mesh shown is expected to provide greater flexibility for a large graft stent, for example, having a length about 10 cm and a diameter of 2-4 cm. Coiled sheet portion 61 includes teeth 63 that mate  
25 with openings 64 in opposing overlapping edge 65 of coiled sheet portion 61.

Coiled sheet portion 61 has suitable graft material 66 affixed to its outer surface, using the methods of manufacture described hereinabove. When  
30 rolled in the direction indicated by arrows B in FIG. 8B, graft stent 60 forms the tubular member shown in FIG. 8A (detailed omitted), wherein overlapping edge 65 of the graft stent spirals around the outer surface of the prosthesis. Graft stent 60 of FIGS. 8A and 8B is

- 22 -

deployed in a manner similar to that described above with respect to FIGS. 5A to 5C. It is contemplated that the spiral nature of the overlapping edge will advantageously distribute radial expansive forces around the circumference of the graft stent, thus reducing the risk of buckling.

Referring now to FIGS. 9A and 9B, an further alternative embodiment of the present invention is described with respect to graft stent 70. In FIGS. 9 and 10 the lattice detail of coiled sheet portion 71 has been omitted for clarity. Graft stent 70 preferably has graft material 72 affixed to an interior surface of the coiled sheet portion 71 in mid-region 73. Coiled sheet portion 71 includes rows of radially projecting barbs 74 on its outer surface in regions 75 and 76 adjacent the ends of the graft stent.

Barbs 74 are oriented so that they freely permit expansion of the coiled sheet portion, but engage the interior of the body lumen to resist contraction of the stent due to external radial compressive force. Barbs 74 of graft stent 70 preferably are formed as part of the etching or punching process during formation of the coiled sheet stent portion of the graft stent. Interlocking teeth 77 preferably are sharp enough to pierce and protrude through graft material 72 when the graft stent 70 is locked into position by a dilatation member.

In FIG. 10, a pair of graft stents 70a and 70b are shown disposed in tubular graft 78 to seal the tubular graft to the healthy tissue proximal and distal of aneurysm 210. Tubular graft 78 may be a previously known fabric graft, constructed, for example, from a polyester material. Graft stents 70a and 70b are "directional" in the sense that graft stent 70a



- 23 -

preferably has barbs 74a disposed on its outer surface near its left hand end, whereas graft stent 70b has barbs 74b disposed on its outer surface near its right hand end. It is expected that graft stents 70a and 70b  
5 of the present invention will provide positive sealing at the proximal and distal ends of the tubular graft which has been unattainable heretofore.

With respect to FIGS. 11A and 11B, yet another alternative embodiment of a graft stent of the  
10 present invention is described. Graft stent 80 is similar in construction to the prosthesis of FIG. 1, except that during the manufacturing process, a length of graft material 22 is left along the exterior edge of the coiled sheet portion 21 to form flap 81. As seen  
15 in FIG. 11B, when graft stent 80 is deployed in body lumen 220, flap 81 overlaps longitudinal seam 82 in of the graft stent for part of an additional turn, for example, one-quarter to one-half the deployed circumference.

20 In accordance with the present invention, flap 81 of graft stent 80 performs three functions. First, the flap serves to seal longitudinal seam 82 to prevent leakage. Second, flap 81 serves to anchor the mid-section of the coiled sheet portion 21 to prevent  
25 bowing of the midsection of the coiled sheet when deployed. Third, the length of the flap may be adjusted to control the rate at which the coiled sheet portion expands when the graft stent is deployed. In particular, if flap 81 is selected to have a length of,  
30 for example, one-half of the deployed circumference, it is expected that flap 81 will provide a sliding resistance as the coiled sheet portion unwinds, thereby controlling the rate at which the coiled sheet is deployed.

- 24 -

Referring to FIGS. 12, 13A and 13B, a still further embodiment of a graft stent is described. Graft stent 90 includes coiled sheet portion 91 and graft material 92 that has its edges sewn together to form a tube. Elastic filaments 93 may be disposed in the region of the tube adjacent longitudinal seam 94 in coiled sheet portion 91 so that the slack portion of the tube forms folds 95. When deployed in a vessel, folds 95 are crushed against the vessel wall by coiled sheet portion 91.

To enable stent graft 90 to be wound to its contracted state, graft material 92 is affixed to the exterior surface of coiled sheet portion 91 along only the part of the circumference of the coiled sheet portion nearest edge 96. Thus, when wound to its contracted state, coiled sheet portion 92 is only partly wound within the overlapping turns of the coiled sheet portion, and doubles back on itself in region 97. Alternatively, the non-affixed portion of graft material 92 may be wound against the coiled sheet portion in a direction opposite to that of the coiled sheet portion.

As shown in FIG. 13B, when graft stent 90 is deployed to its expanded state, elastic filaments 93 keep slack portions of the tube arranged in folds 95, thus permitting the graft material to be expanded when coiled sheet portion 91 is locked in position as described hereinabove with respect to FIGS. 5A-5C. It is expected that by forming graft material 92 into a tube (and thus eliminating the longitudinal seam in the embodiment of FIG. 1), the tendency of edge 96 to buckle outward when unsupported over long distances will be reduced. The embodiment of FIG. 12 is also



- 25 -

expected to provide the advantages perceived for the embodiment of FIGS. 11A and 11B, described hereinabove.

Referring now to FIGS. 14A and 14B, an embodiment of a graft stent suitable for use in  
5 treating a bifurcated lumen, illustratively the abdominal aorta, is described. In FIG. 14A, coiled sheet portion 101 of graft stent 100 forms a segment of an annulus having large circumference edge 102 and small circumference edge 103. When rolled to its  
10 coiled expanded state, coiled sheet portion 101 forms a conical shape. Teeth 104 are arranged along inner edge 105 of coiled sheet portion, and engage openings along edge 106 in the expanded state. Graft material 107 is affixed to coiled sheet portion 101 as described  
15 hereinabove, and includes an opening 108. Tubular graft 109, which may comprise a biocompatible material, is affixed to graft material 107 in alignment with opening 108, for example by stitches 110.

As shown in FIG. 14B, graft stent 100 may be  
20 coiled to form a tube and deployed to its expanded state in bifurcated lumen 230 so that small circumference edge 103 is disposed in branch 231 and large circumference edge 102 is disposed in trunk 232. When deployed, as described hereinbelow, tubular graft  
25 109 extends into branch 233 of bifurcated lumen 230, thereby excluding aneurysm 234 from the flow path.

With respect to FIGS. 14B, 15A and 15B, deployment of graft stent 100 is described. In FIGS. 15A and 15B, to enhance clarity, the details of the  
30 coiled sheet portion have been omitted and delivery sheath 120 is illustrated as being transparent. In FIG. 15A, graft stent 100 is shown disposed in delivery sheath 120 and is coiled to its contracted state. Tubular graft 109 is folded against graft stent 100 so

- 26 -

that the end of the tubular graft is located near distal end 121 of delivery sheath 120. Suture 111 forms a loop through end 112 of tubular graft 109. Push rod 122 is disposed in delivery sheath 120 and  
5 retains the graft stent 100 in position while delivery sheath 120 is retracted proximally.

Delivery system 120 as depicted in FIG. 15A is inserted transluminally into the bifurcated lumen via one of the branches. For example, in FIG. 14B,  
10 delivery system 120 may be inserted via branch 231 (e.g., the left femoral artery), so that distal end 121 of delivery system 120 is disposed in trunk 232 of the bifurcated lumen 230. A guide wire may then be inserted via the contralateral branch 233 and used to  
15 snare suture 111. Suture 111 is then brought out through the contralateral branch access site.

With respect to FIG. 15B, push rod 122 is used to retain graft stent 100 in a predetermined position relative to bifurcated lumen 230, while  
20 delivery sheath 120 is retracted. This step permits tubular graft 109 to be fully exposed, so that it does not contact distal end 121 of delivery system 120. Suture 111 is used to manipulate tubular graft 109 into position in branch 233. Push rod 122 is again employed  
25 to maintain graft stent 100 in position while delivery sheath 120 is fully withdrawn.

Once delivery sheath 120 is withdrawn, coiled sheet portion 101 of the prosthesis expands to its expanded state. As described hereinabove with respect  
30 to FIG. 5B, a balloon dilatation system may then be inflated within coiled sheet portion 101 to lock graft stent 100 in position. The loop formed by suture 111 is then cut, and the suture material pulled through end 112 and out of the patient's body. When fully



- 27 -

deployed, the graft stent excludes aneurysm 234 from the flow path of bifurcated lumen 230. In addition, an additional previously known stent, such as described in the above incorporated Sigwart patent, may be employed to affix end 112 of graft stent 100 in place.

Referring to FIGS. 16A and 16B, an alternative to the embodiment of FIG. 14 is described for treating an aneurysm in bifurcated lumen 230. Graft stent 130 comprises a rectangular or annular segment-shaped coiled sheet portion 131 having graft material 132 affixed to it using any of the processes described hereinabove. Instead of tubular graft 109 of the embodiment of FIG. 14, however, graft stent 130 includes docking neck 133 attached in alignment with the opening in graft material 132 via sutures 134. Docking neck 133 may include radiopaque filaments embedded within it so that graft stent 130 can be deployed with docking neck oriented in alignment with branch 233, as determined, for example, by fluoroscopy.

A delivery system similar to that of FIG. 15A is first used to deploy graft stent 130 so that it extends from trunk 232 to branch 231 of bifurcated lumen 230. After graft stent 130 has been locked into position, a second delivery sheath containing graft stent 140, constructed as described with respect to FIG. 1 or FIG. 12, is inserted through contralateral branch 233. Graft stent 140 is then deployed so that distal end 141 is disposed in docking neck 133 of graft stent 130 and proximal end 142 is disposed in branch 233. Graft stent 140 is deployed as previously described. Accordingly, graft stents 130 and 140 may be assembled in-situ to exclude aneurysm 234 in bifurcated lumen 230.

- 28 -

As will of course be understood, graft stents suitable for use in treating diseased bifurcated lumens may be constructed using any of the processes described hereinabove. In particular, the graft material may  
5 either include a longitudinal seam, a flap of excess material, as described with respect to the embodiment of FIG. 11A, or a tube, as described for the embodiment of FIG. 12.

While preferred illustrative embodiments of  
10 the invention are described above, it will be apparent to one skilled in the art that various changes and modifications may be made therein without departing from the invention and it is intended in the appended claims to cover all such changes and modifications  
15 which fall within the true spirit and scope of the invention.



Claims:

1. A prosthesis for treating a body lumen, the prosthesis comprising:

a coiled sheet portion (21, 61, 71, 91, 101, 131) formed into a lattice having a contracted state wherein the coiled sheet portion is wound to a first diameter to form a series of overlapping turns, and an expanded state wherein the coiled sheet portion forms a tubular member having a second diameter greater than the first diameter, the coiled sheet portion expandable to the expanded state when released from the contracted state;

a graft material (22, 22', 66, 72, 92, 107, 132) that is biocompatible affixed along at least part of the circumference of the coiled sheet portion, the graft material being at least partially wound within the overlapping turns of the coiled sheet portion when the coiled sheet portion is in the contracted state; and

a flap (81) of graft material that extends from a longitudinal edge of the coiled sheet portion, the flap overlapping and sealing a longitudinal seam (82) formed by the coiled sheet portion when deployed.

2. The prosthesis as defined in claim 1 wherein the coiled sheet portion (21, 101) includes a plurality of teeth (25, 104) adjacent to an inner edge of the coiled sheet portion and a plurality of openings (26) disposed on an opposing overlapping edge of the coiled sheet portion, the plurality of teeth interengaging the plurality of openings to lock the prosthesis in the expanded state.

3. The prosthesis as defined in claim 2 wherein the coiled sheet portion comprises a biocompatible material.

4. The prosthesis as defined in claim 1 wherein the graft material (22) is affixed to the coiled sheet portion (21) by a biocompatible adhesive (27).

5. The prosthesis as defined in claim 1 wherein the graft material is affixed to the coiled sheet portion by sintering.

6. The prosthesis as defined in claim 1 wherein the graft material is affixed to the coiled sheet portion by biocompatible sutures or stitches.

7. The prosthesis as defined in claim 1 wherein the graft material is affixed to an exterior surface of the coiled sheet portion.

8. The prosthesis as defined in claim 1 wherein the graft material is affixed to an interior surface of the coiled sheet portion.

9. The prosthesis as defined in claim 1 wherein the coiled sheet portion includes a first end and a plurality of radially outwardly directed projections in a region disposed near the first end that engage an interior surface of the body lumen when the prosthesis is deployed.

10. The prosthesis as defined in claim 1 wherein the coiled sheet portion comprises a multiplicity of openings defining the lattice.

11. The prosthesis as defined in claim 10 wherein the multiplicity of openings (24) includes openings of different sizes and orientations that improve the longitudinal flexibility of the coiled sheet portion.



12. The prosthesis as defined in claim 10 wherein the coiled sheet portion has an interior surface and an exterior surface, the graft material (22') comprising a first layer disposed on the interior surface and a second layer disposed on the exterior surface.

13. The prosthesis as defined in claim 12 wherein the graft material is sintered so that the first layer is fused to the second layer through the multiplicity of openings.

14. The prosthesis as defined in claim 1 wherein the coiled sheet portion comprises first and second coiled sheet members, the graft material being interposed between the first and second coiled sheet portions.

15. The prosthesis as defined in claim 1 wherein the coiled sheet portion comprises a nickel titanium alloy.

16. The prosthesis as defined in claim 1 wherein the graft material is polytetrafluoroethylene.

17. The prosthesis as defined in claim 4 wherein the biocompatible adhesive is a urethane compound.

18. The prosthesis as defined in claim 1 wherein the prosthesis has an overlapping edge and an exterior surface, the overlapping edge spiraling around the exterior surface in the expanded state.

19. The prosthesis as defined in claim 1 wherein the coiled sheet portion includes a plurality of articulations that provide longitudinal flexibility of the prosthesis when transported through a tortuous body lumen.

20. The prosthesis as defined in claim 1 wherein the graft material is impregnated with at least one drug.

21. The prosthesis as defined in claim 1 wherein the graft material forms a tube.

22. The prosthesis as defined in claim 1 further comprising a tubular graft (109) affixed to the graft material, the tubular graft configured to be deployed in a branch (233) of a bifurcated lumen (230).

23. The prosthesis as defined in claim 1 further comprising a docking neck (133) affixed to the graft material, the docking neck configured to be aligned with a branch (233) of a bifurcated lumen (230).

24. A method of making a graft stent for treating a section of a body lumen, the method comprising:

forming a lattice in a sheet of a resilient material, the sheet having a surface;

affixing a biocompatible graft material to at least a portion of the surface of the sheet; and

rolling the sheet into a coiled sheet, the coiled sheet having a contracted state of reduced diameter and an expanded state of enlarged diameter, the coiled sheet forming a series of overlapping turns in the contracted state;



wherein the graft material is wound within the overlapping turns of the coiled sheet when the coiled sheet is wound to its contracted state.

25. The method as described in claim 24 wherein affixing a biocompatible graft material to the surface of the sheet comprises

coating the surface of the sheet with a biocompatible adhesive having a cured state, the biocompatible adhesive being flexible in the cured state; and

adhering the sheet to the biocompatible graft material.

26. The method as defined in claim 24 wherein forming a lattice in a sheet further comprises forming a plurality of teeth on one edge and mating openings that interengage the teeth on an opposing edge.

27. The method as defined in claim 24 comprising the steps of providing another coiled sheet and affixing a biocompatible graft material to the surface of the coiled sheet to build a graft stent of a desired length.

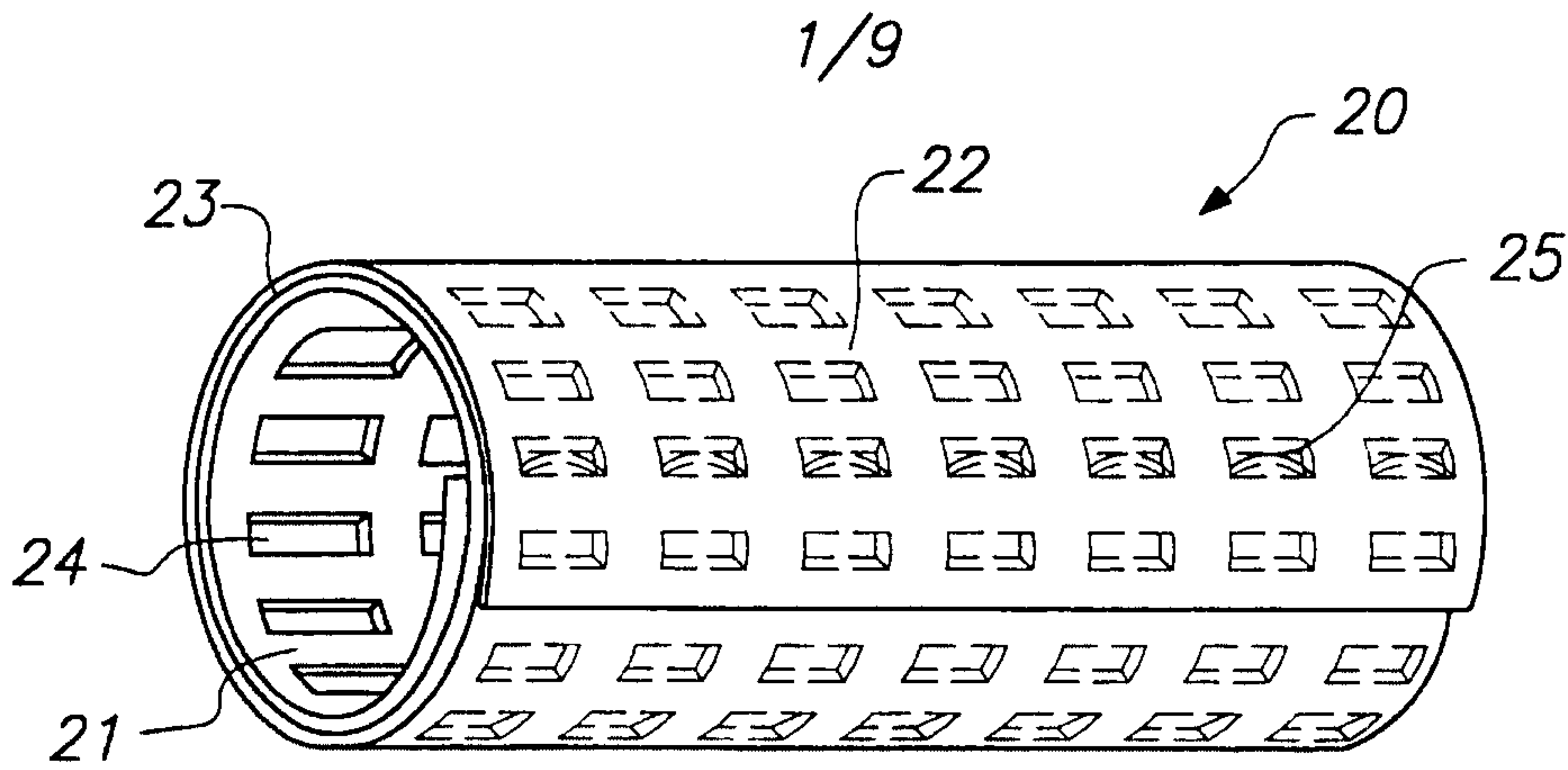
28. The method as defined in claim 24 further comprising:

trimming excess graft material from the sheet to complete assembly of the graft stent; and  
sterilizing the graft stent.

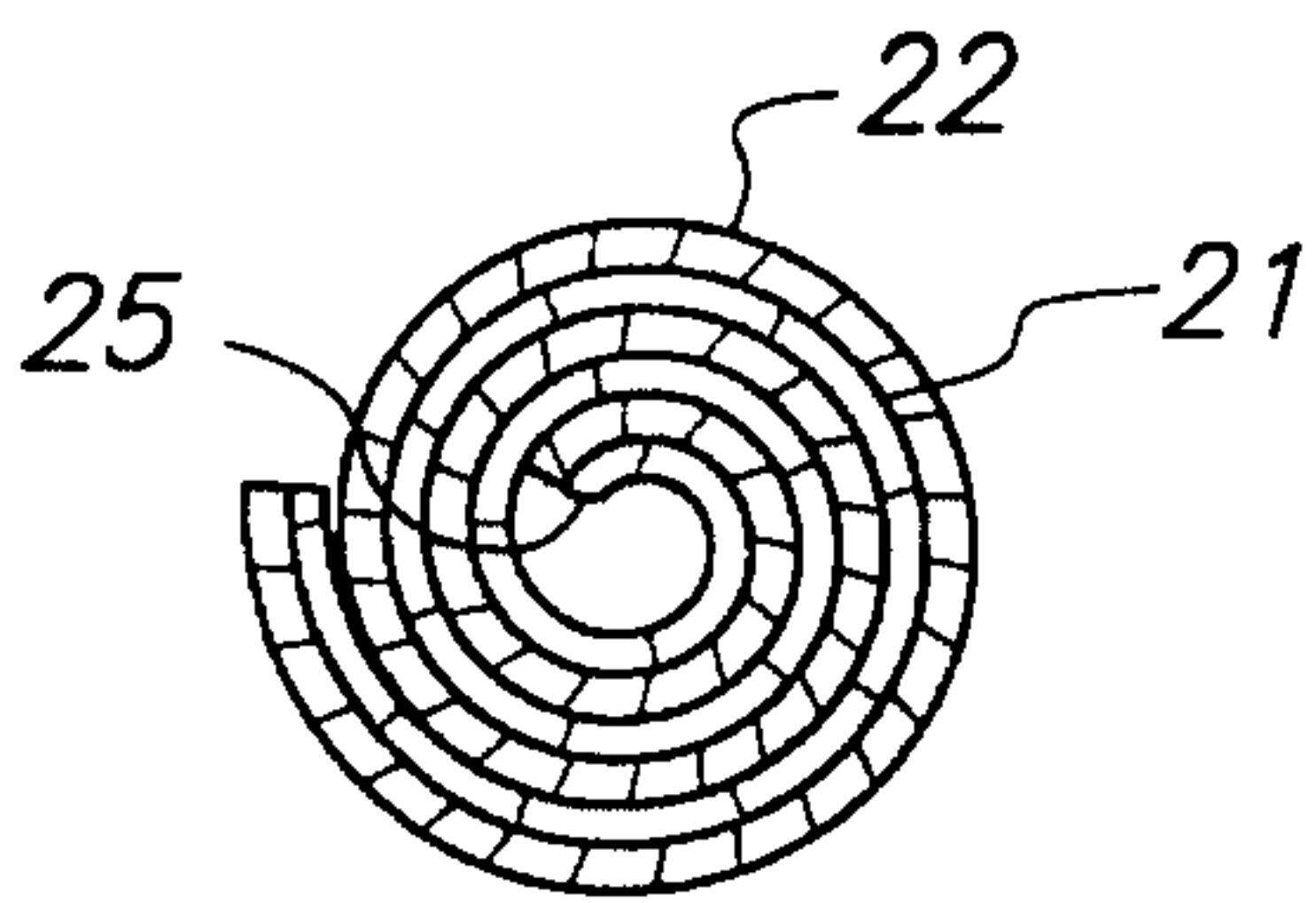
29. The method as defined in claim 24 wherein affixing a biocompatible graft material to the surface of the sheet comprises suturing or stitching the biocompatible graft material to the sheet.

30. The method as defined in claim 24 wherein affixing a biocompatible graft material to the surface of the sheet comprises dipping the sheet into a curable biocompatible liquid polymer, the biocompatible liquid polymer forming the biocompatible graft material when cured.

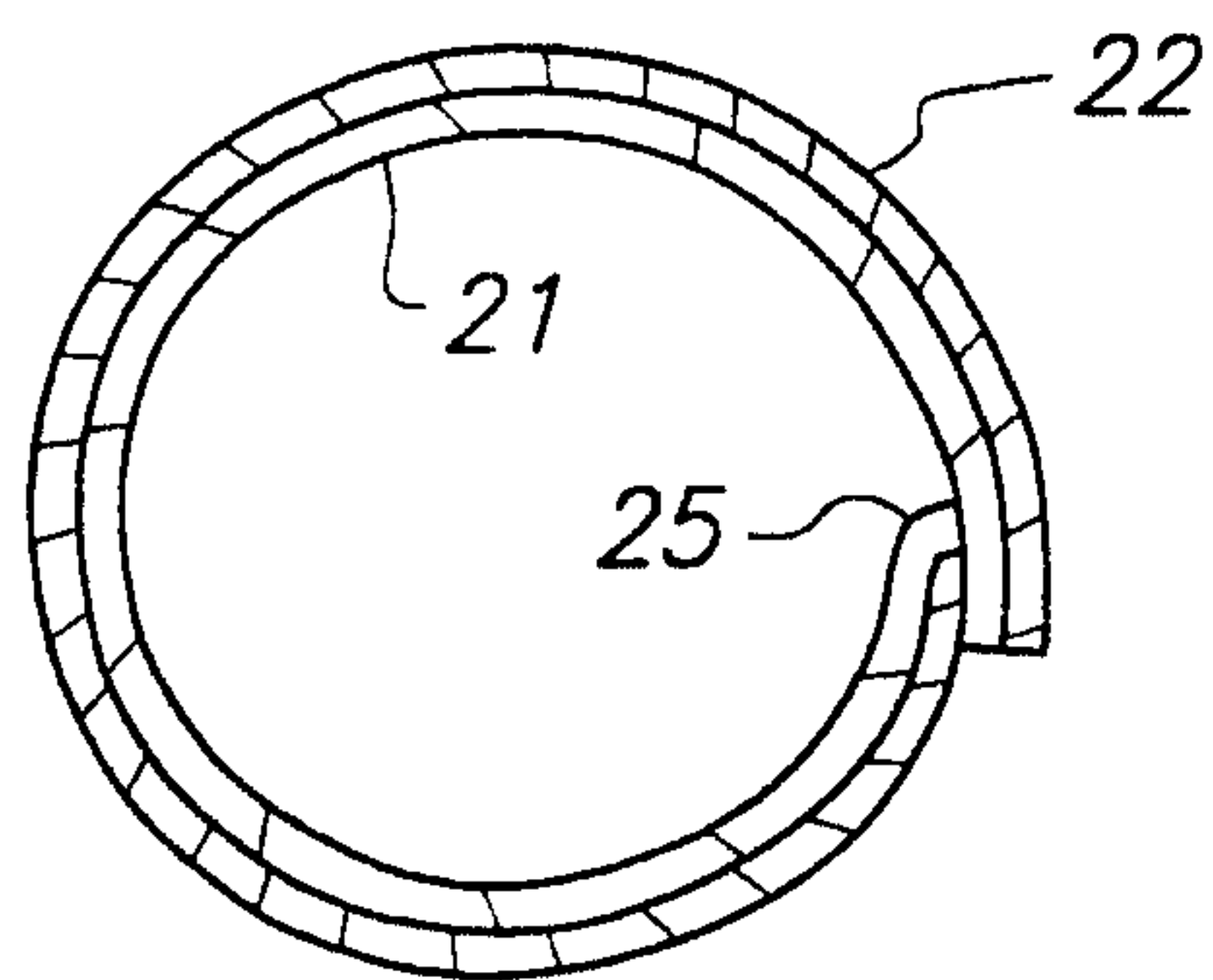




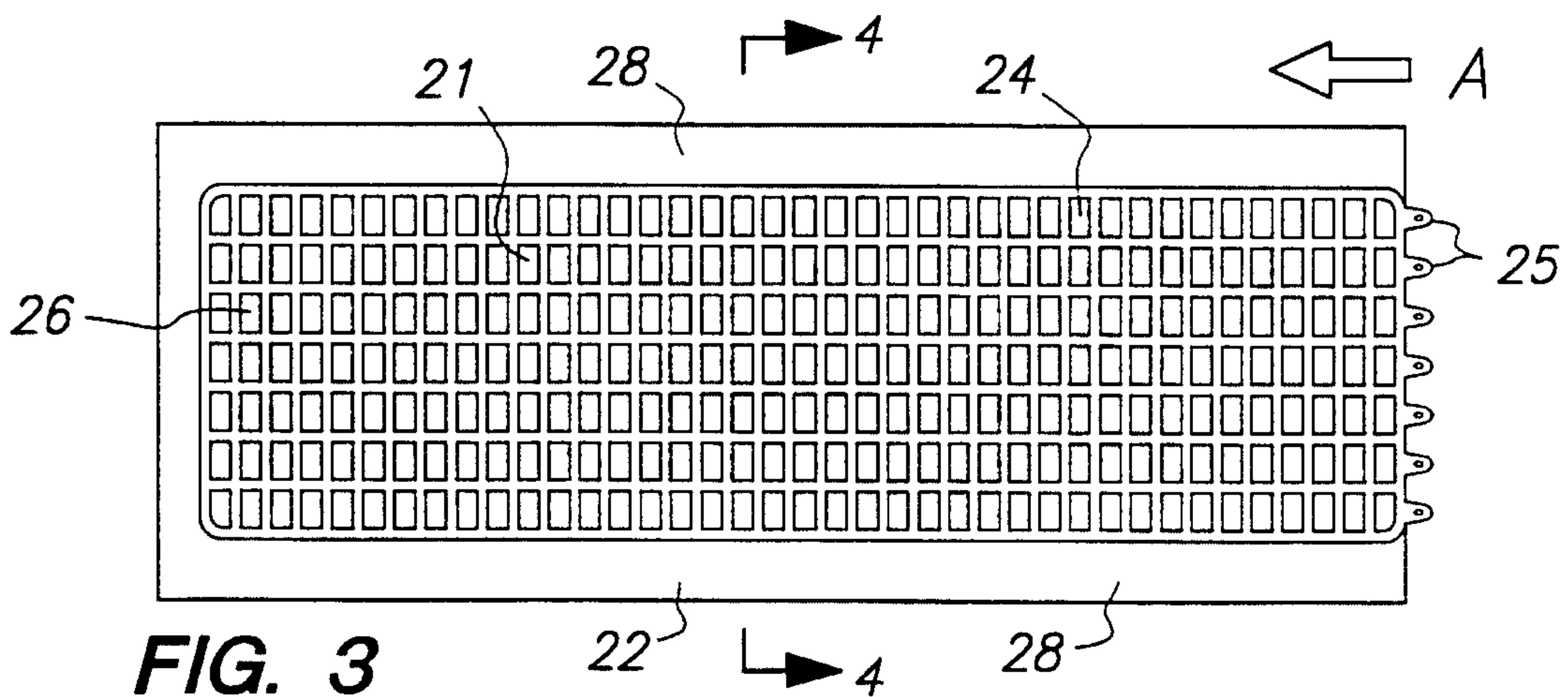
**FIG. 1**



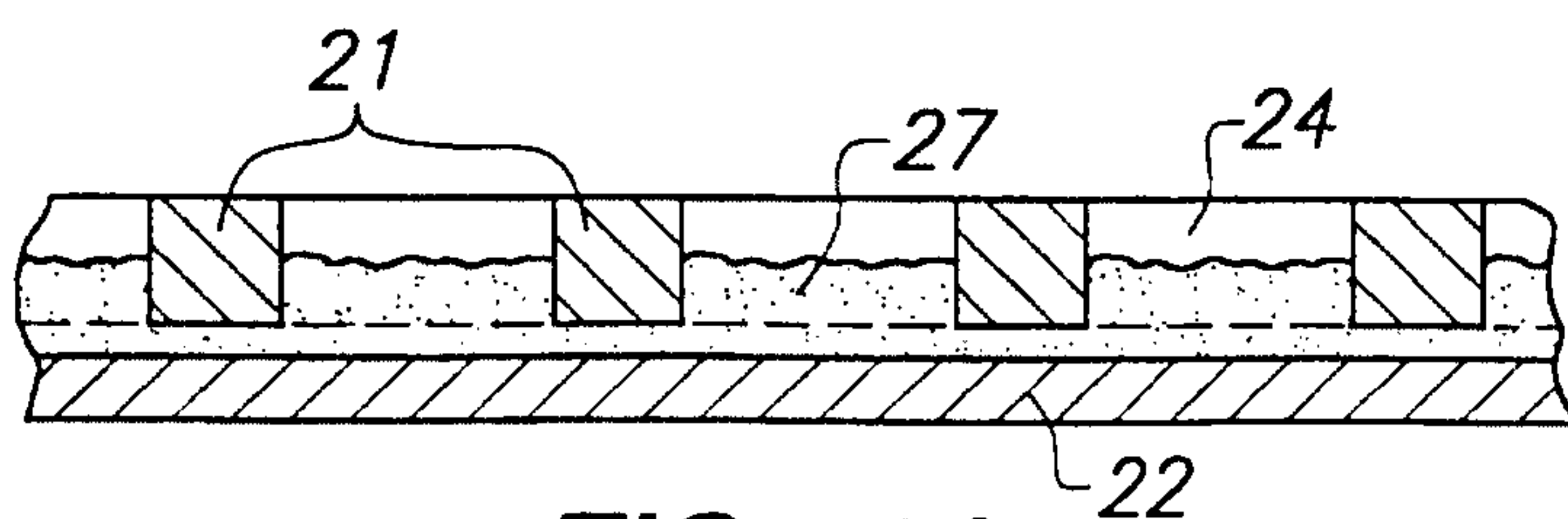
**FIG. 2A**



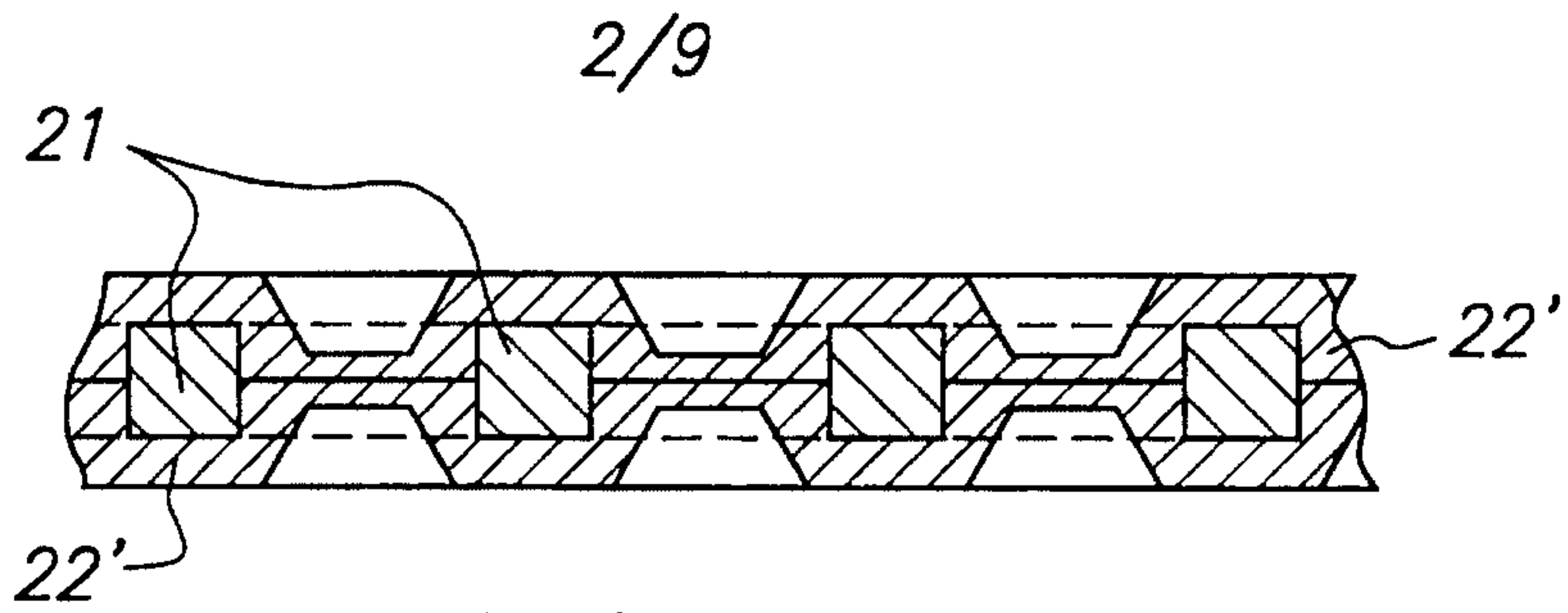
**FIG. 2B**



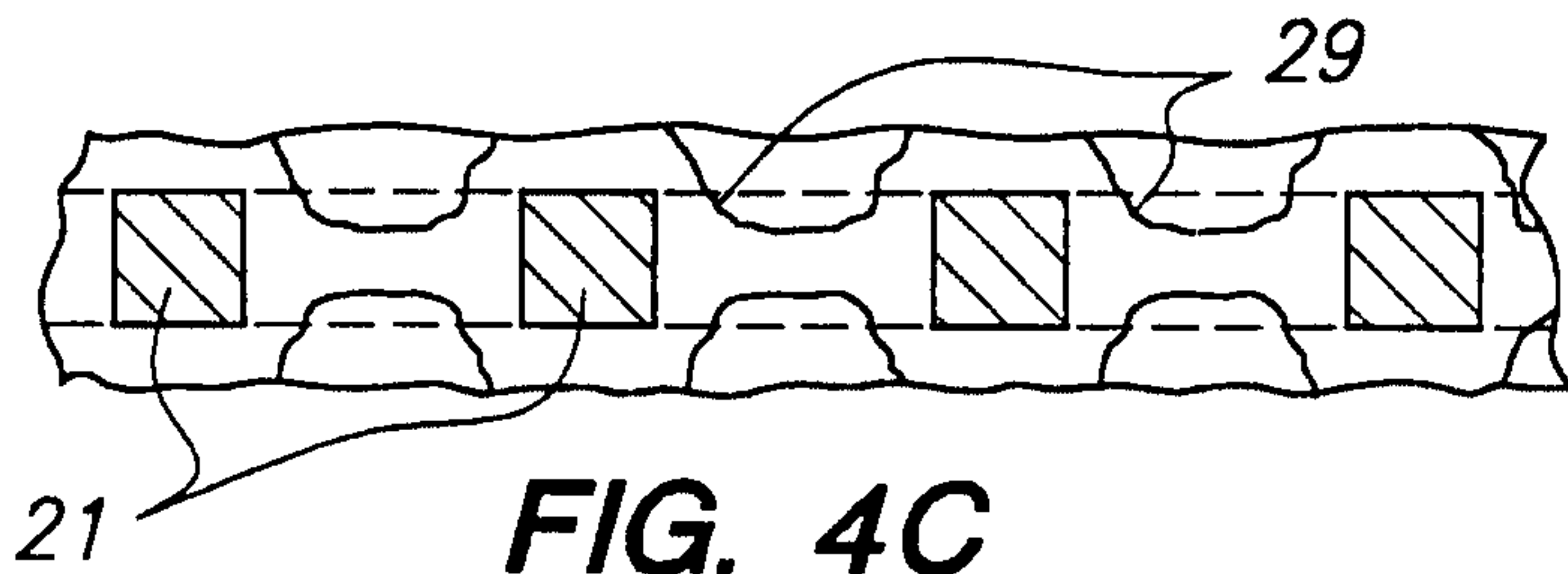
**FIG. 3**



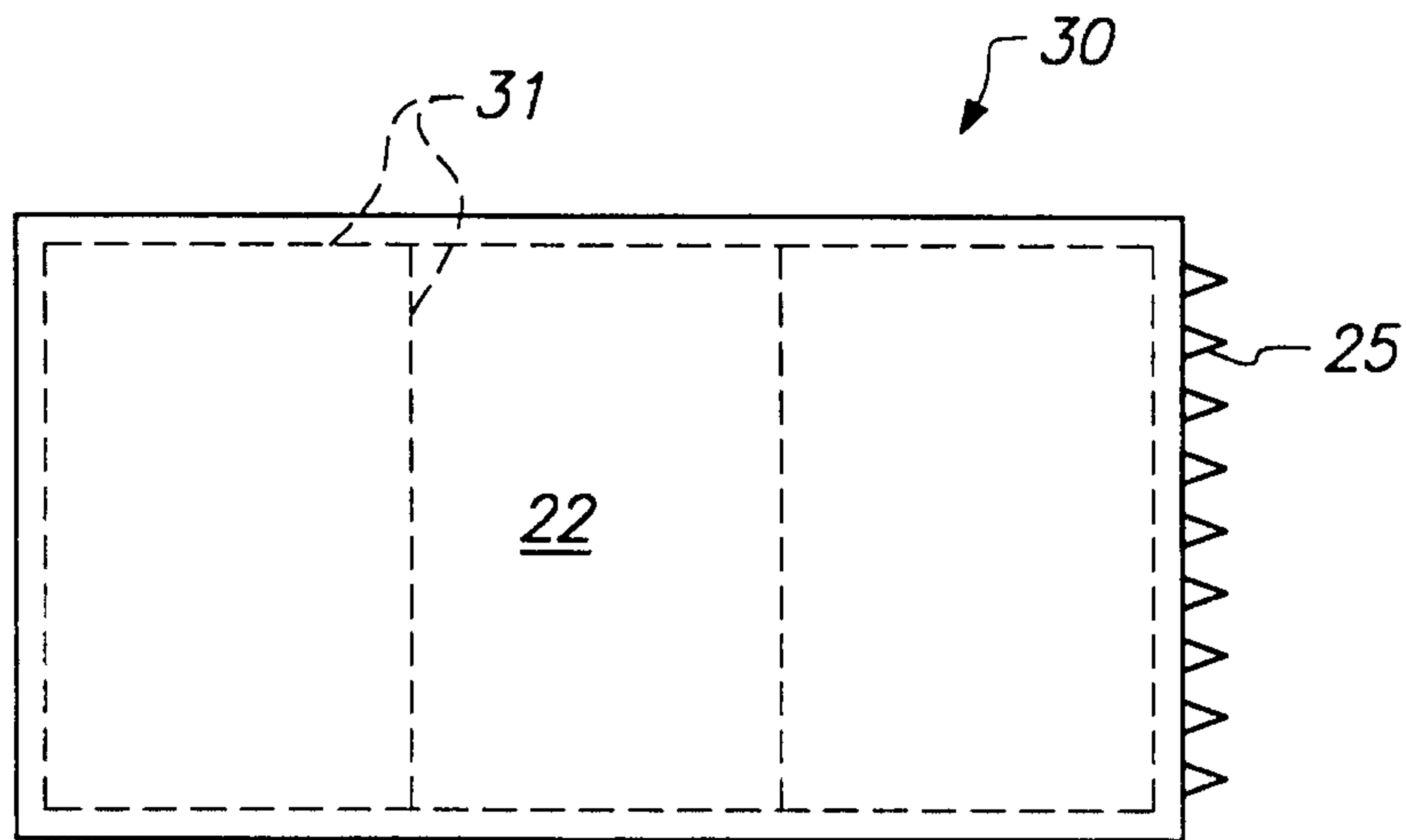
**FIG. 4A**



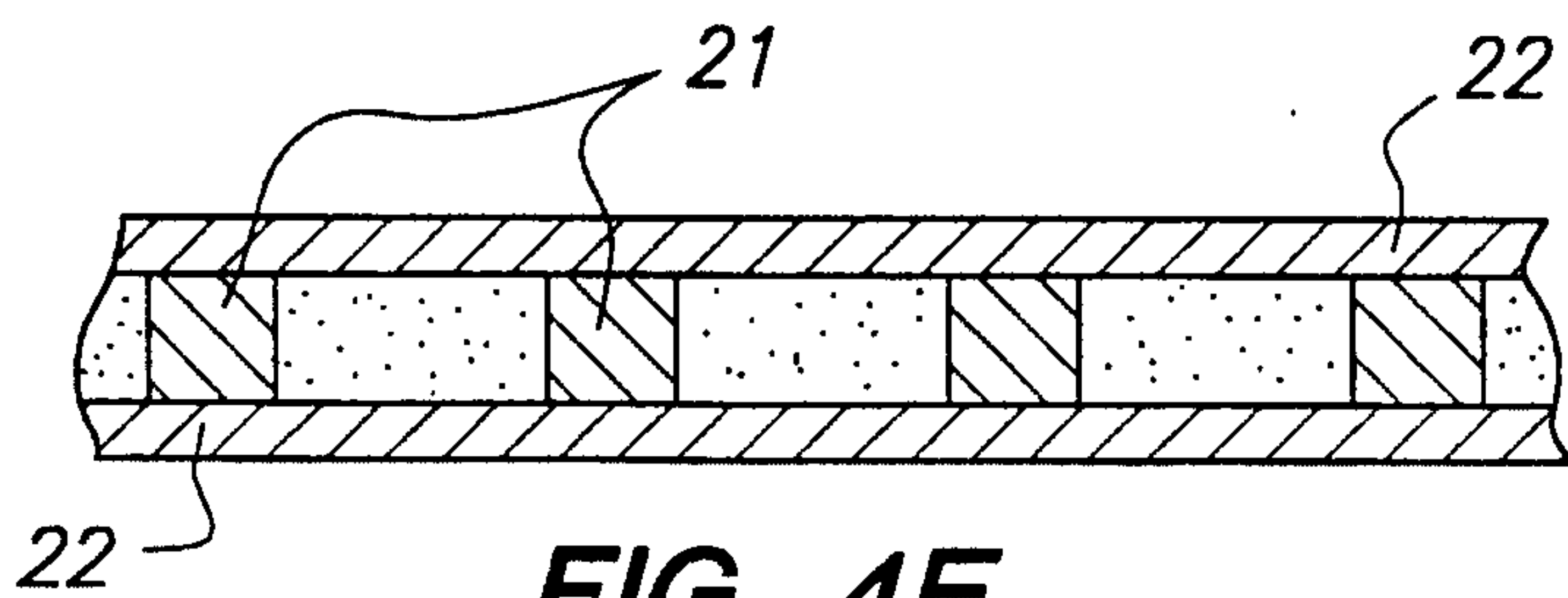
**FIG. 4B**



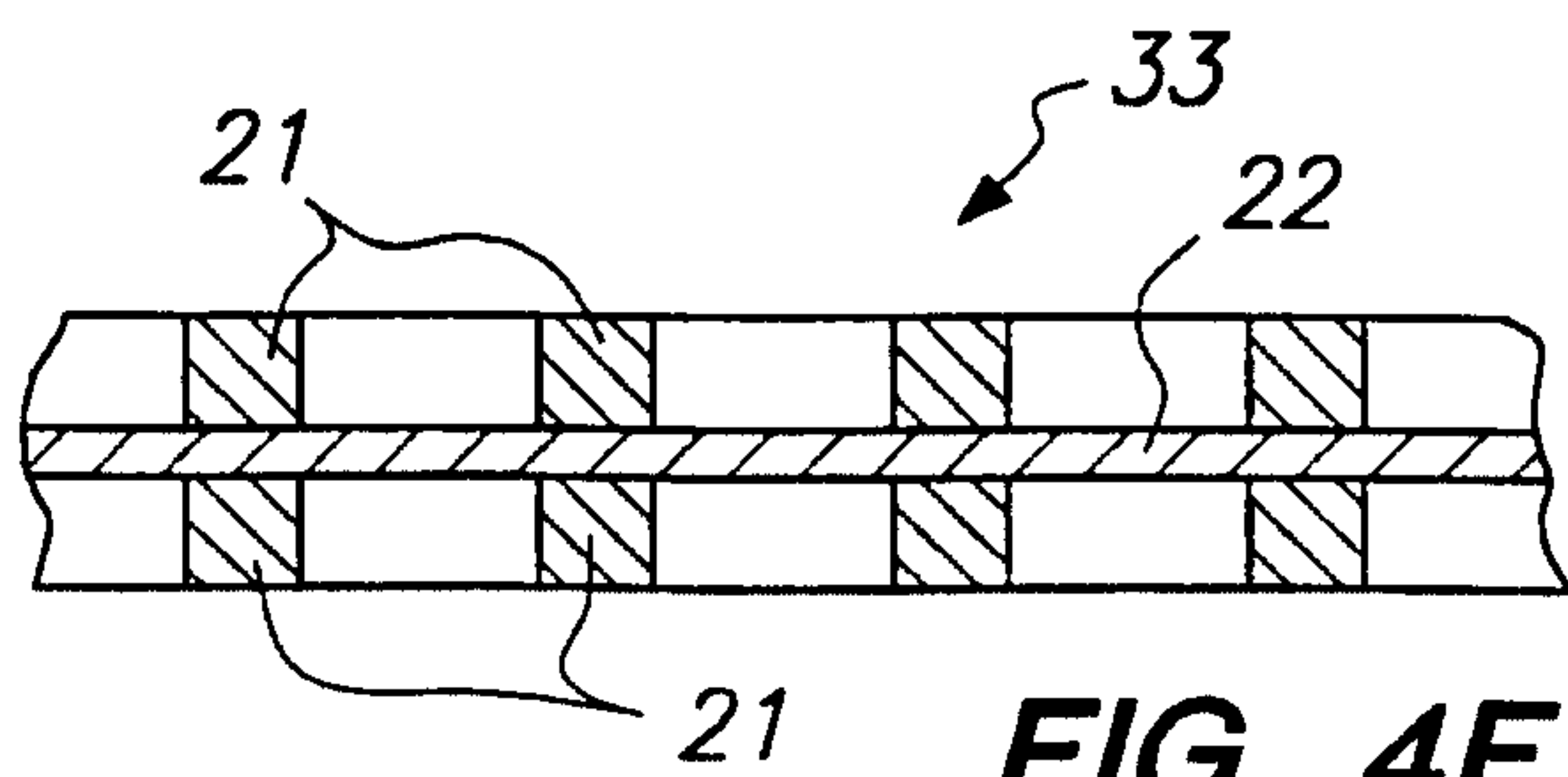
**FIG. 4C**



**FIG. 4D**



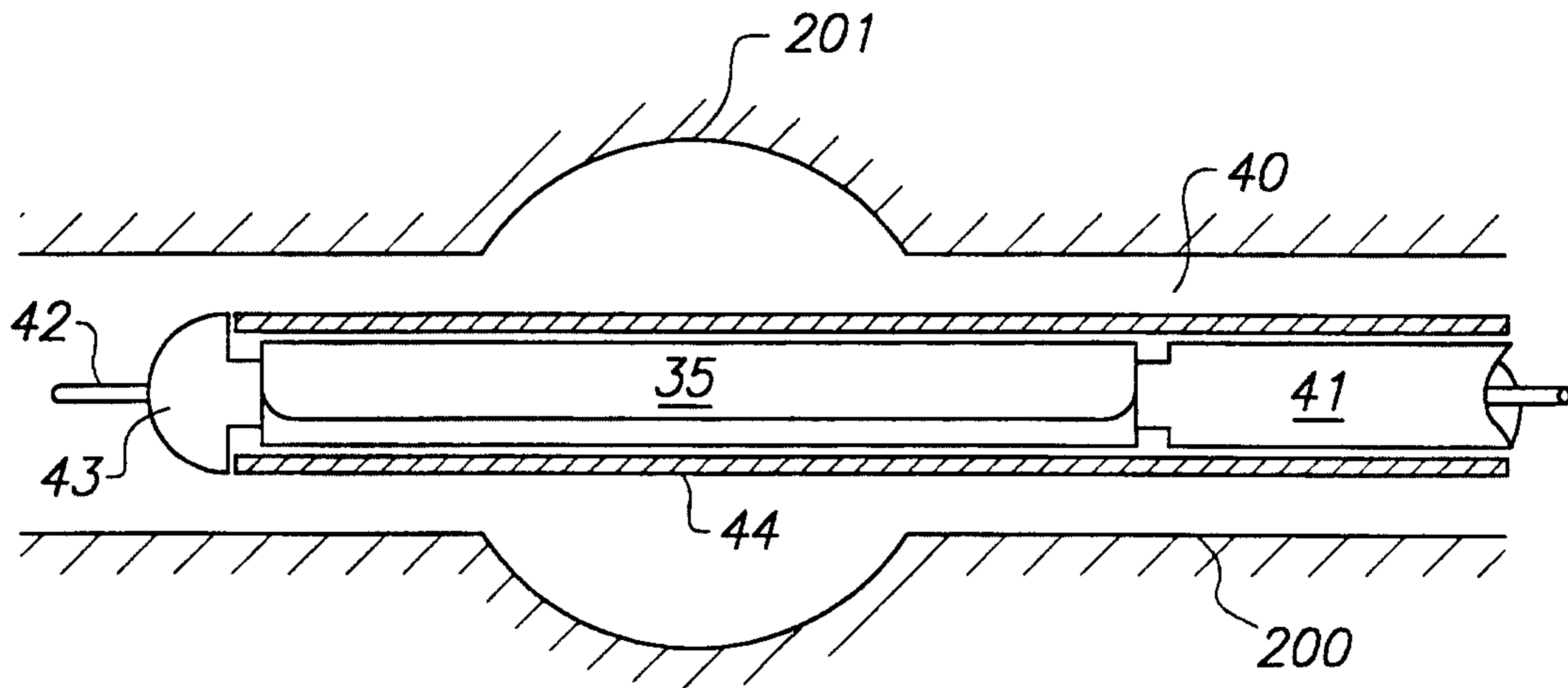
**FIG. 4E**



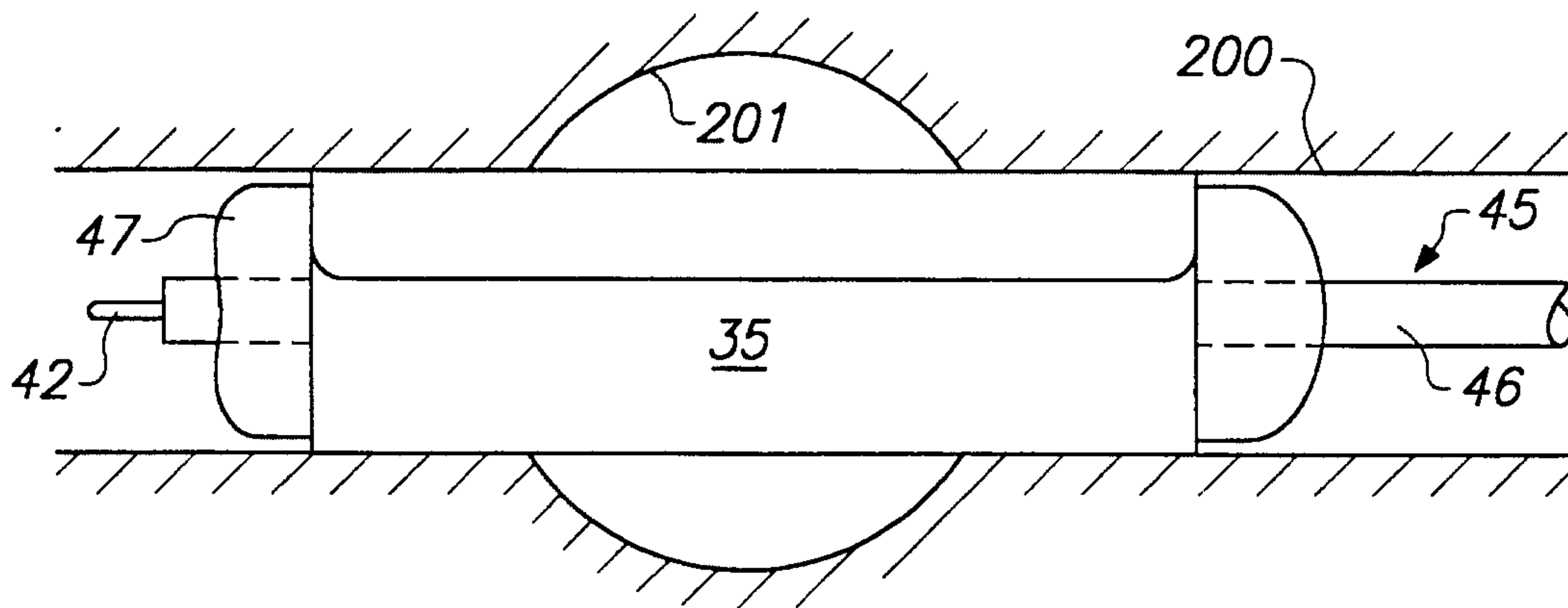
**FIG. 4F**



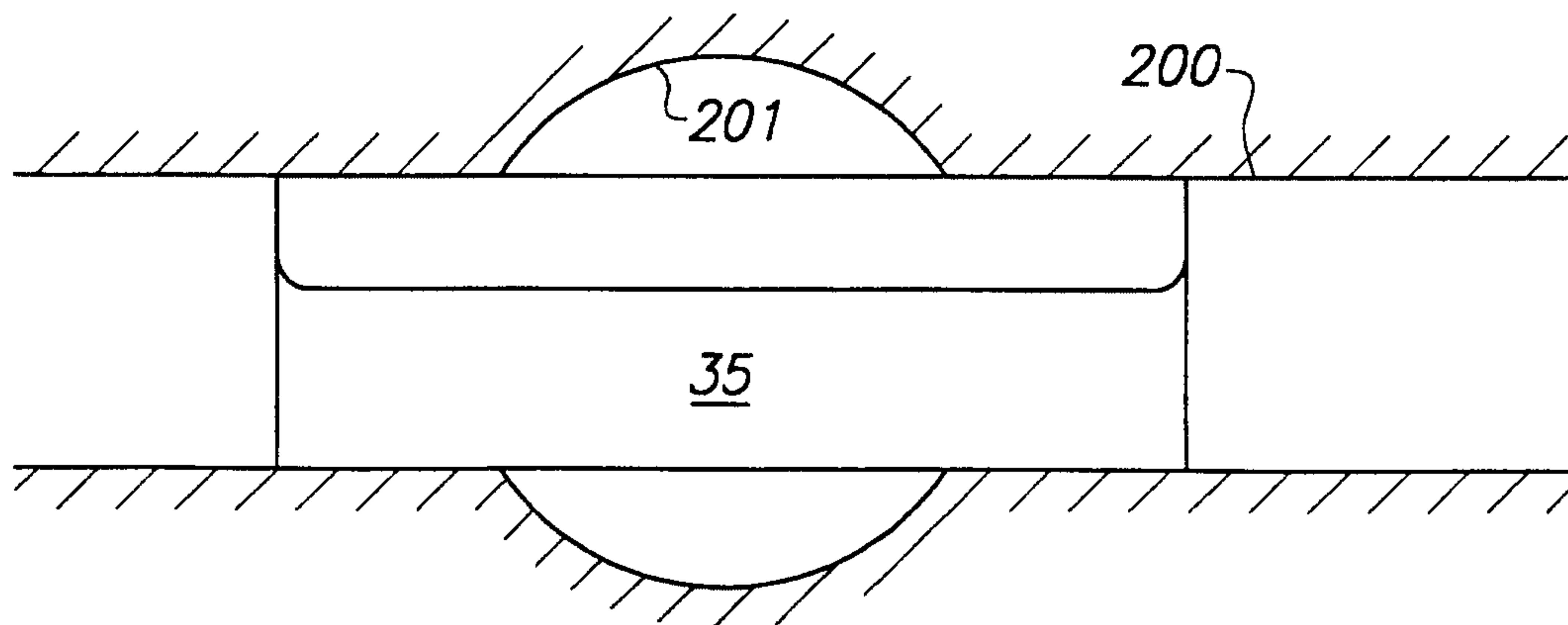
3/9



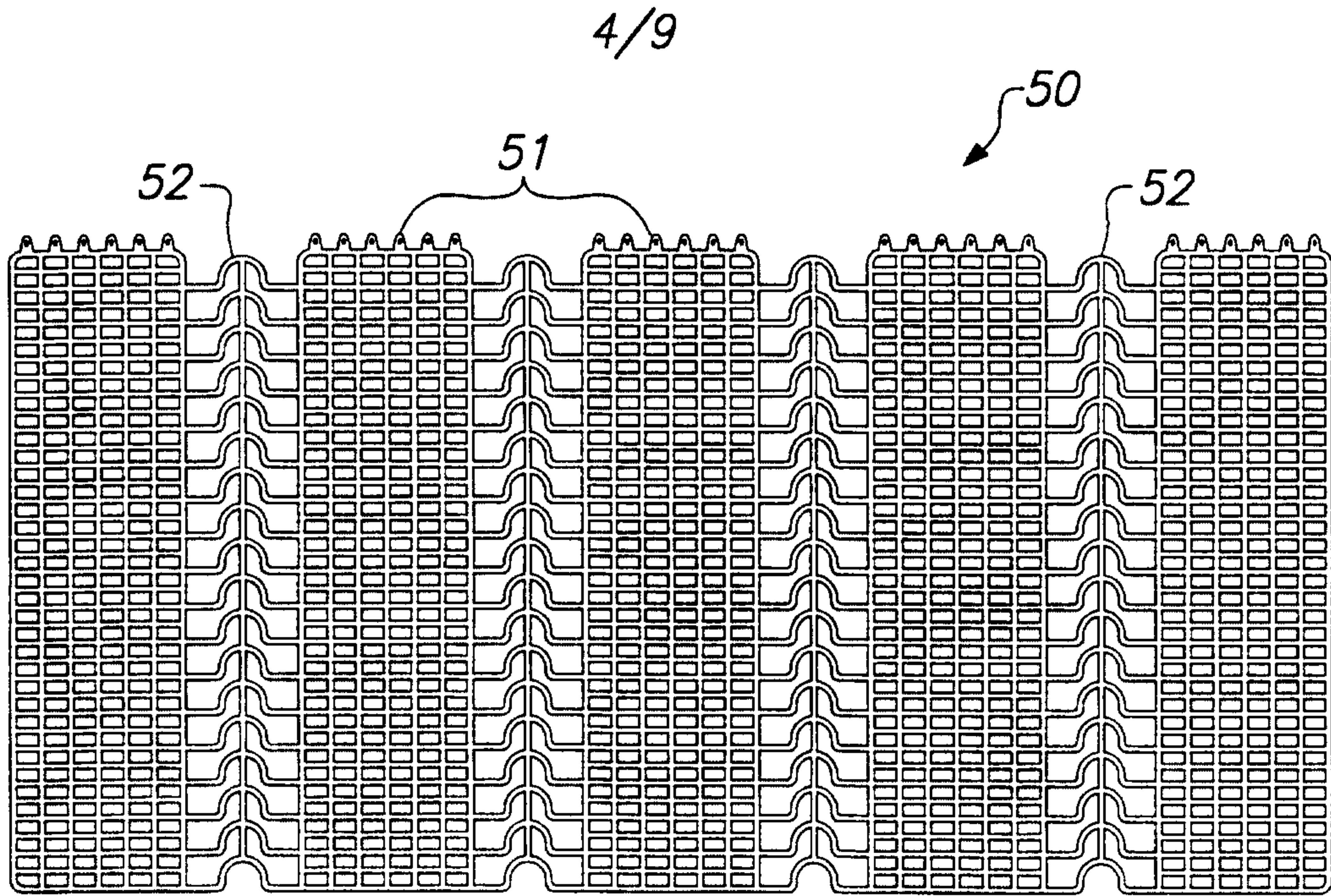
**FIG. 5A**



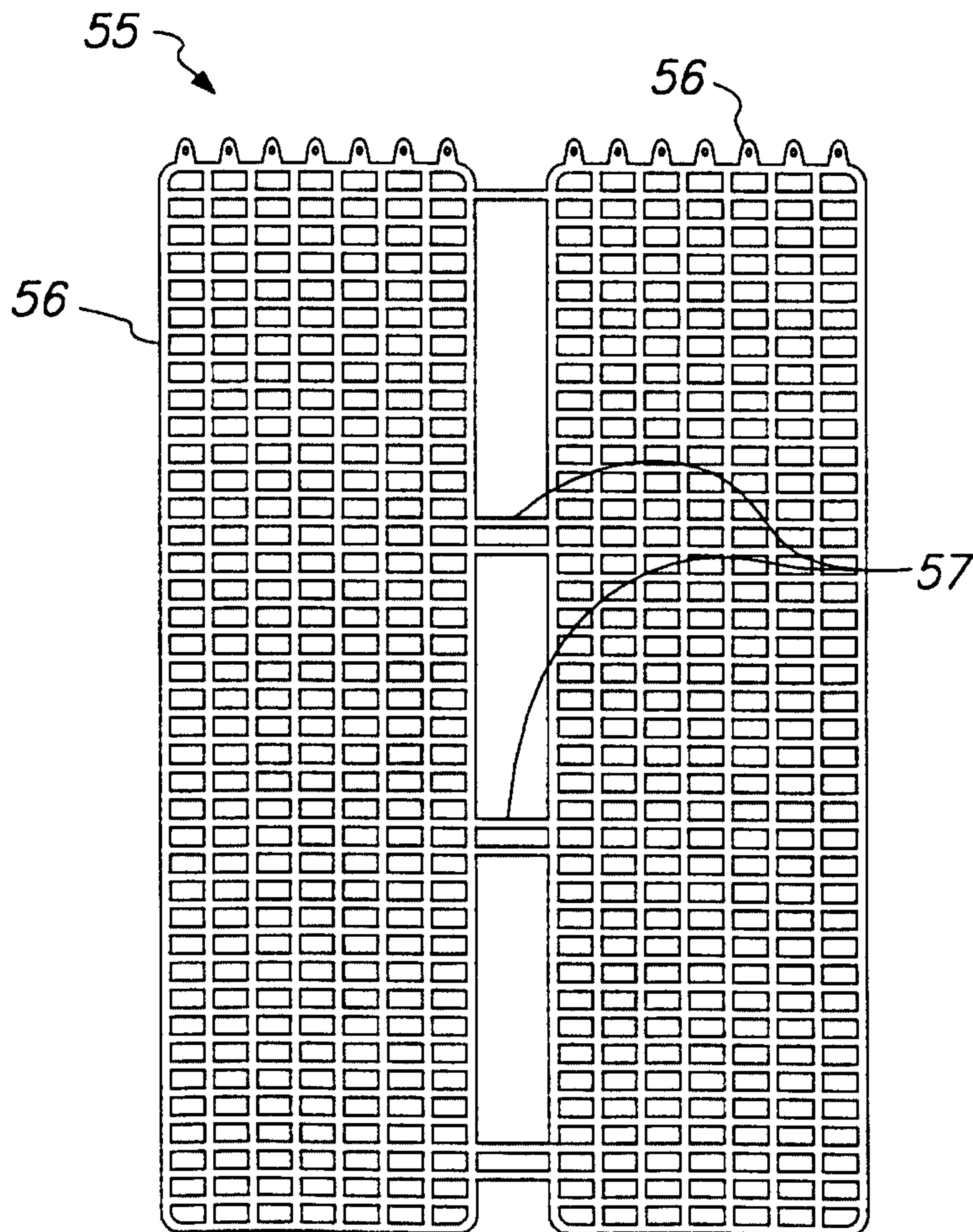
**FIG. 5B**



**FIG. 5C**



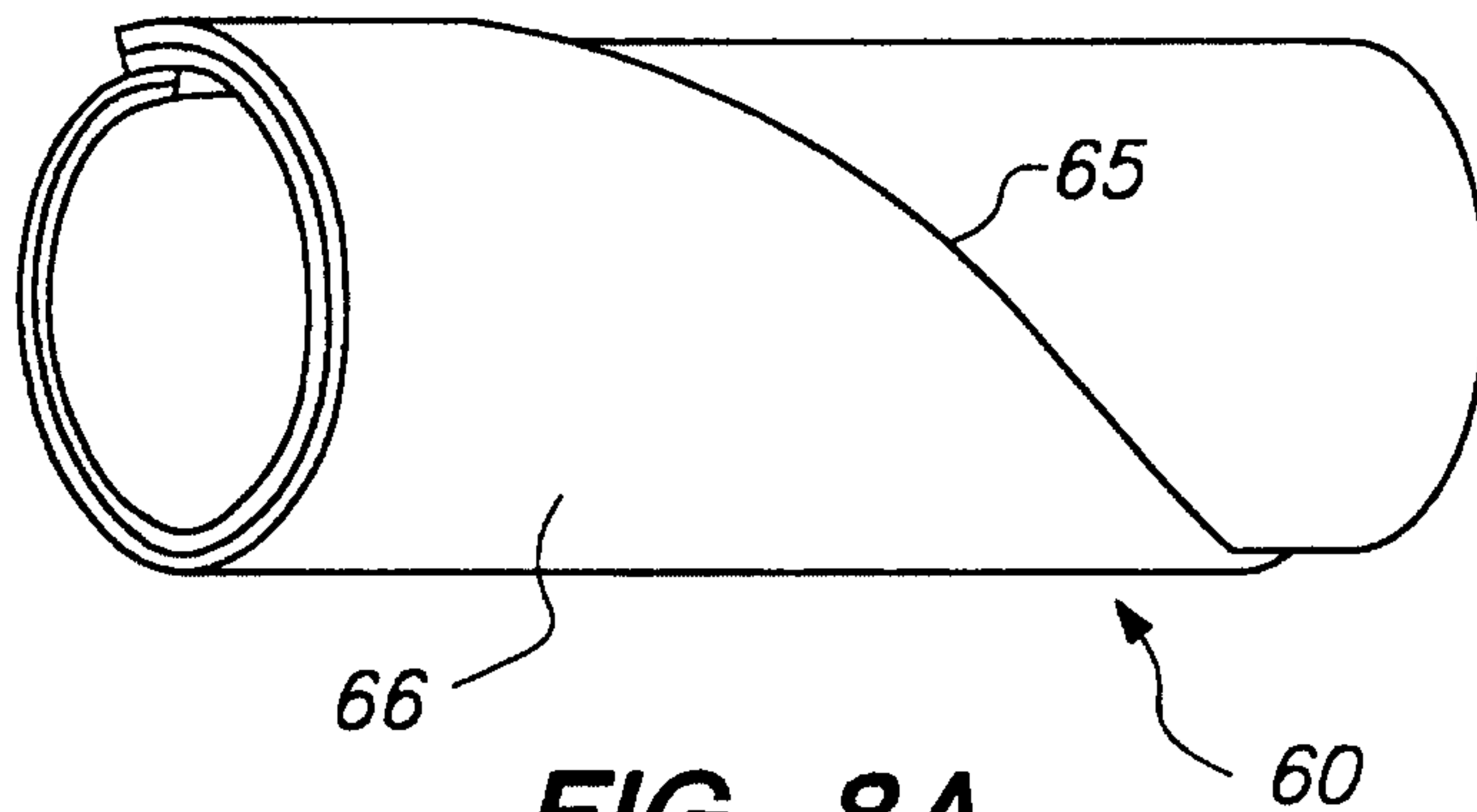
**FIG. 6**



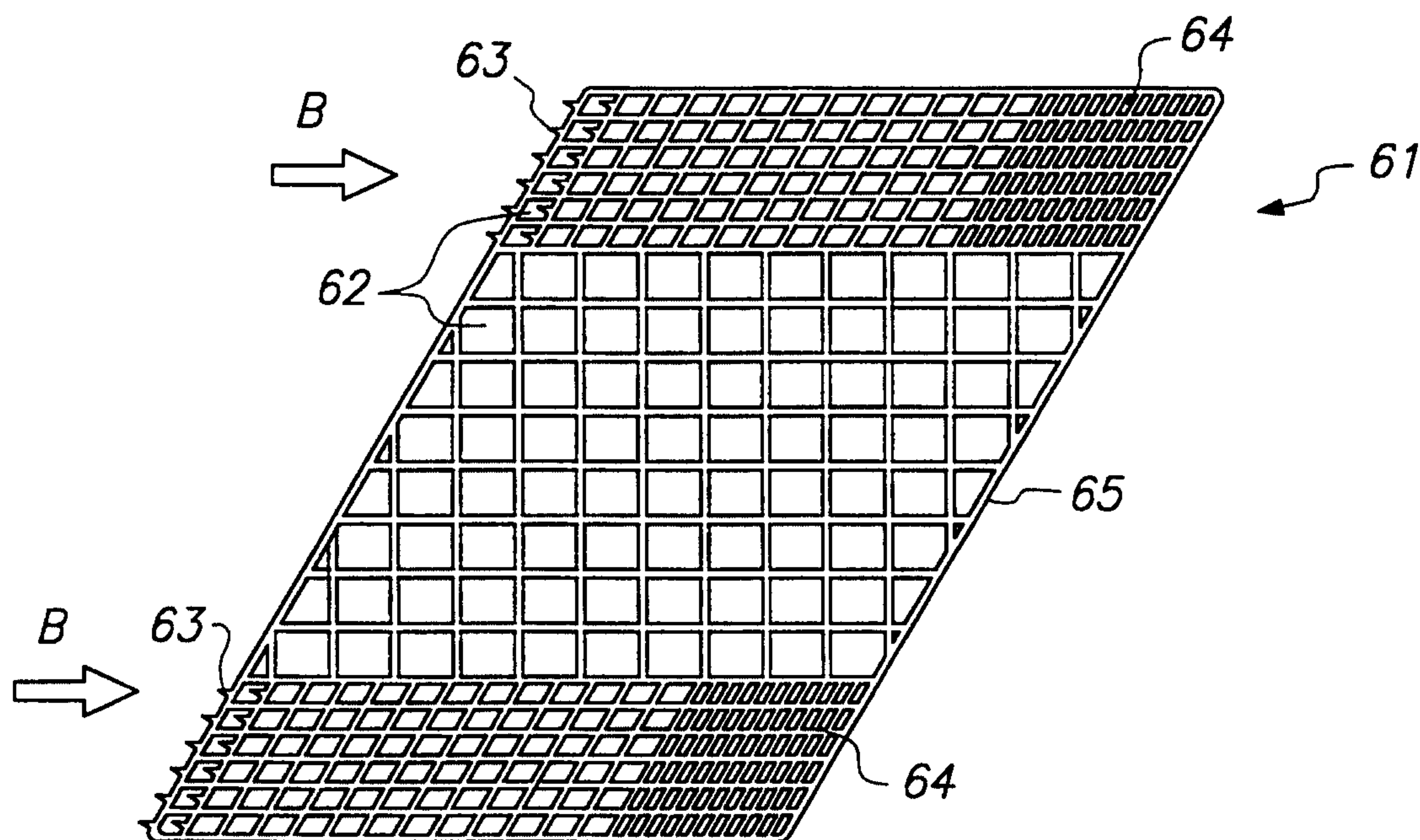
**FIG. 7**



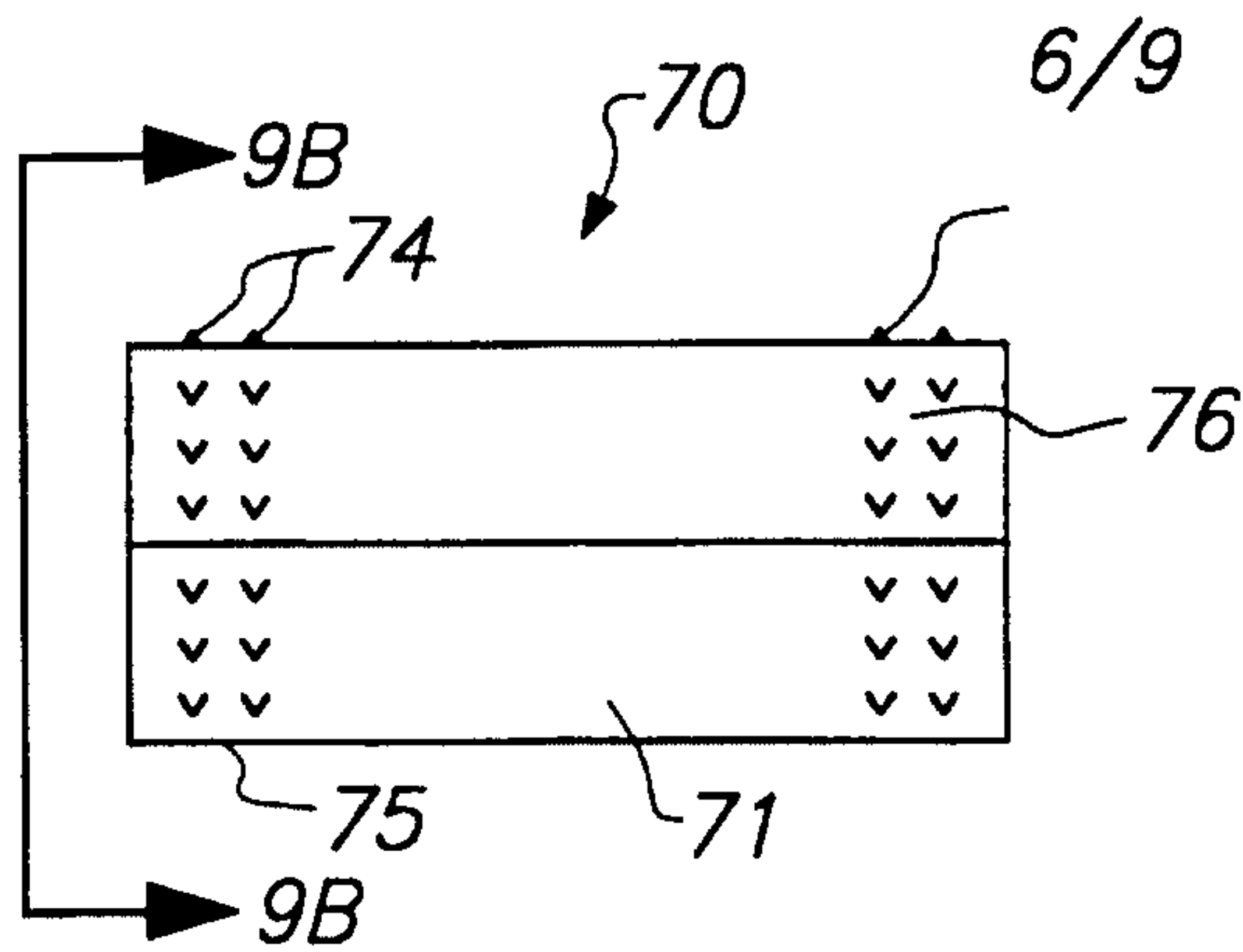
5/9



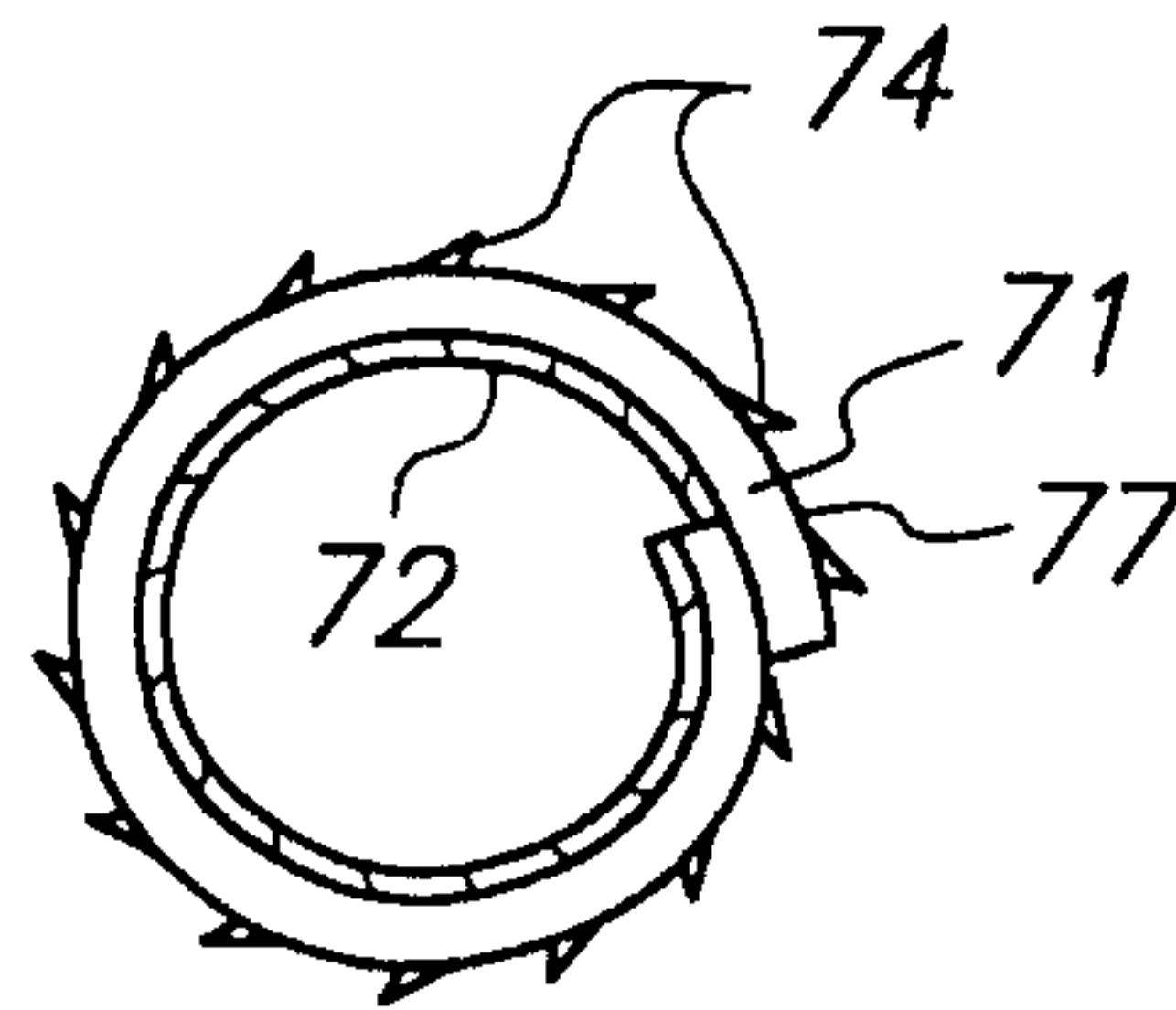
**FIG. 8A**



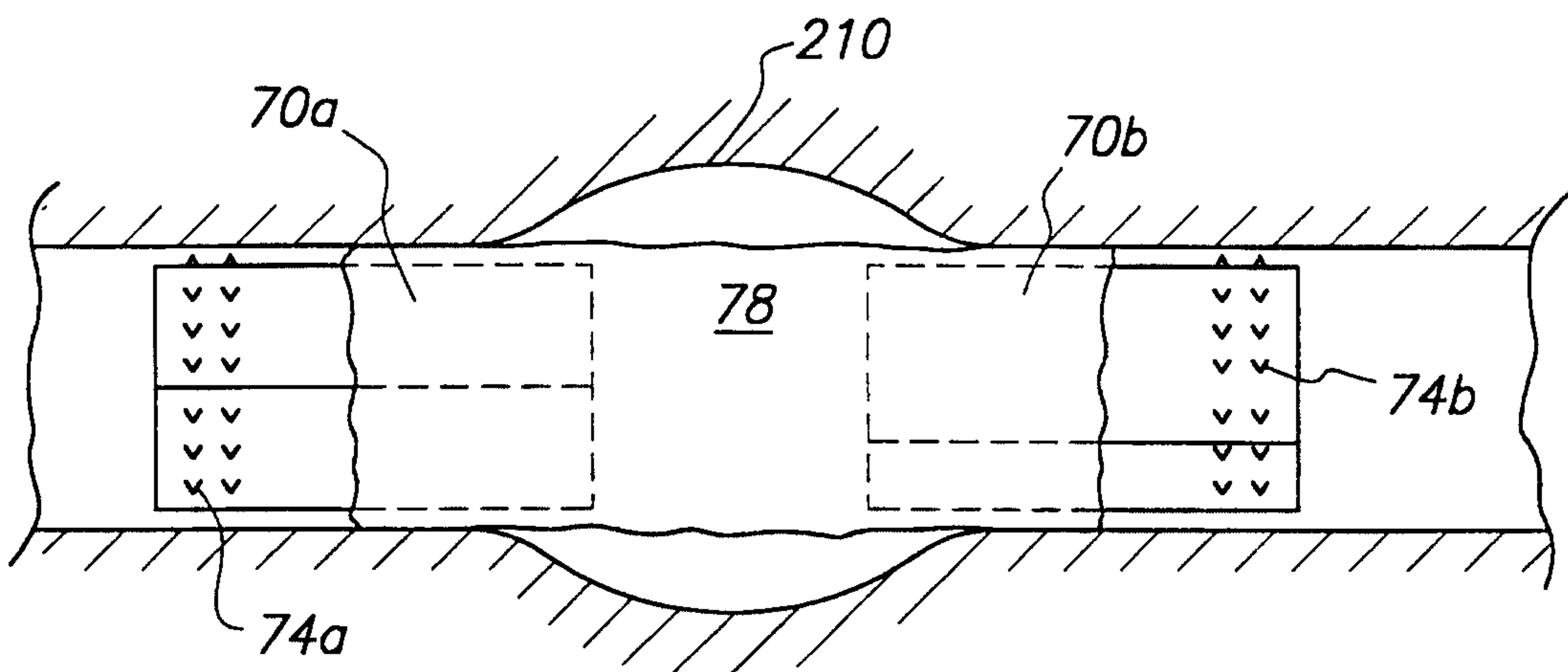
**FIG. 8B**



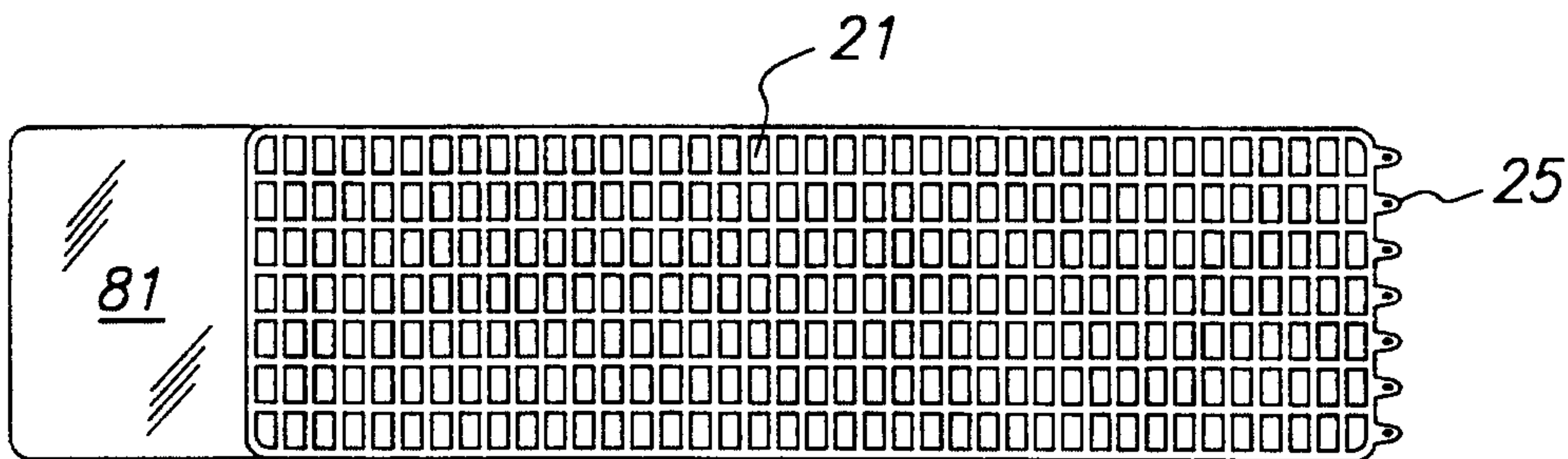
**FIG. 9A**



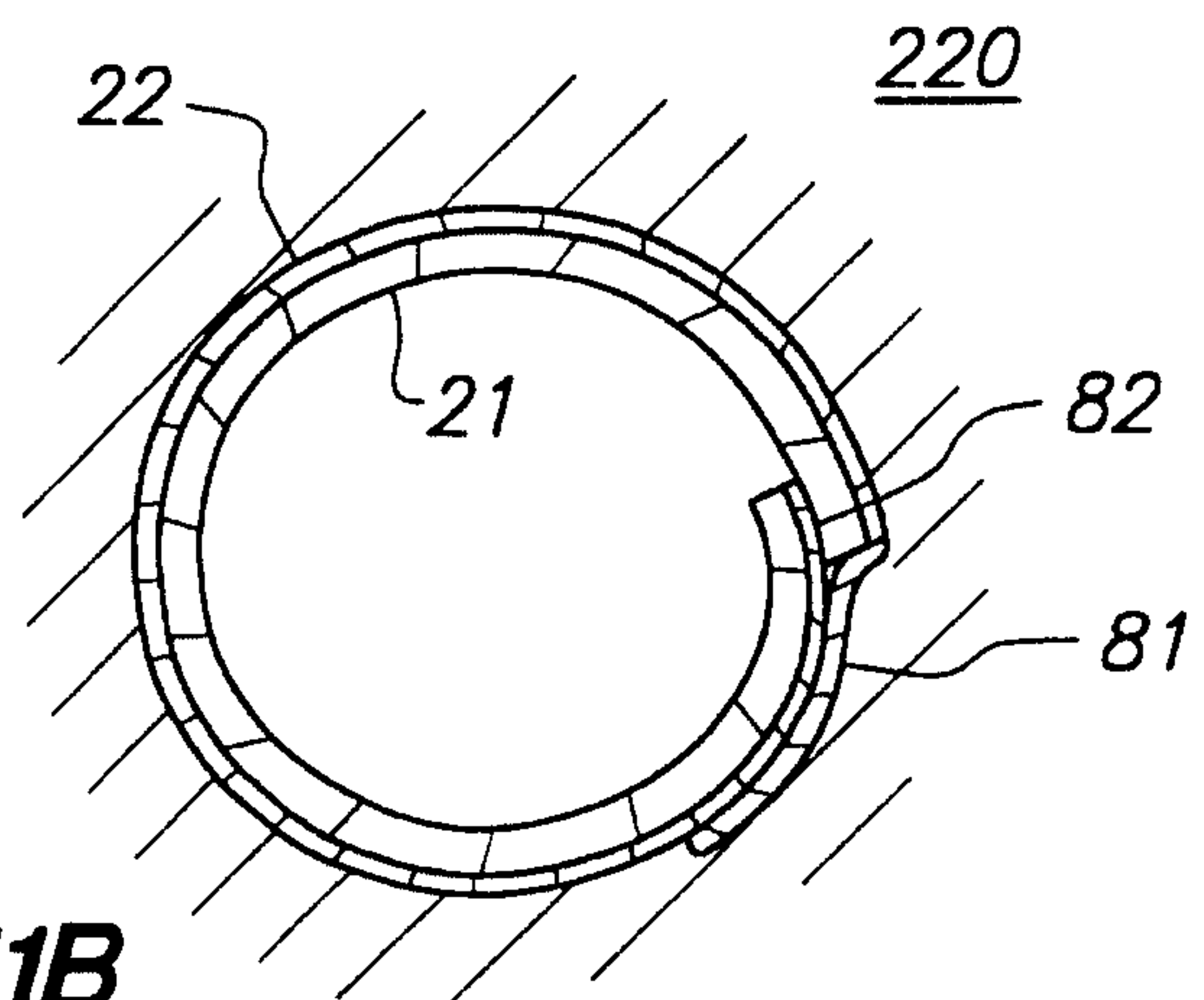
**FIG. 9B**



**FIG. 10**

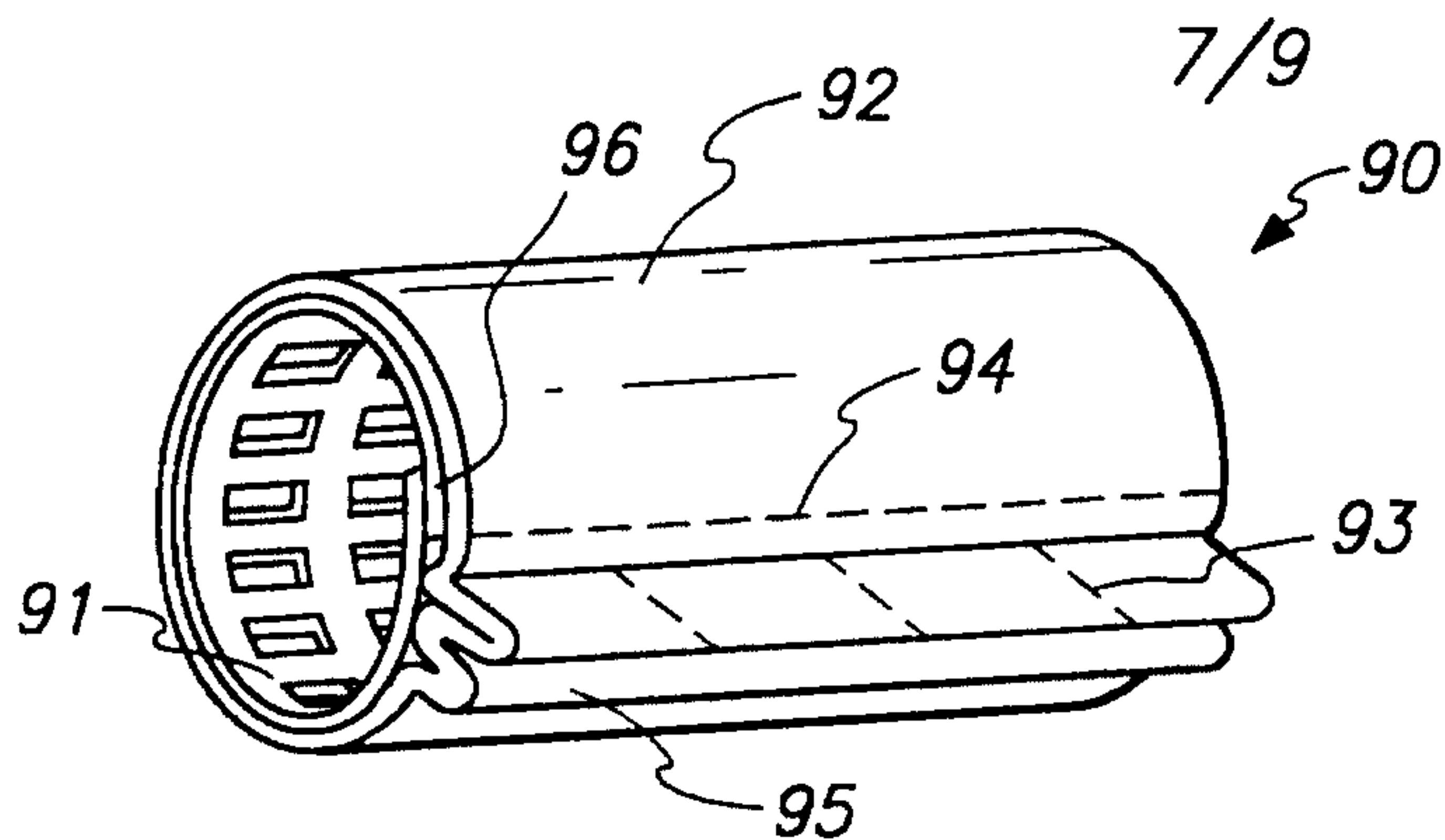


**FIG. 11A**

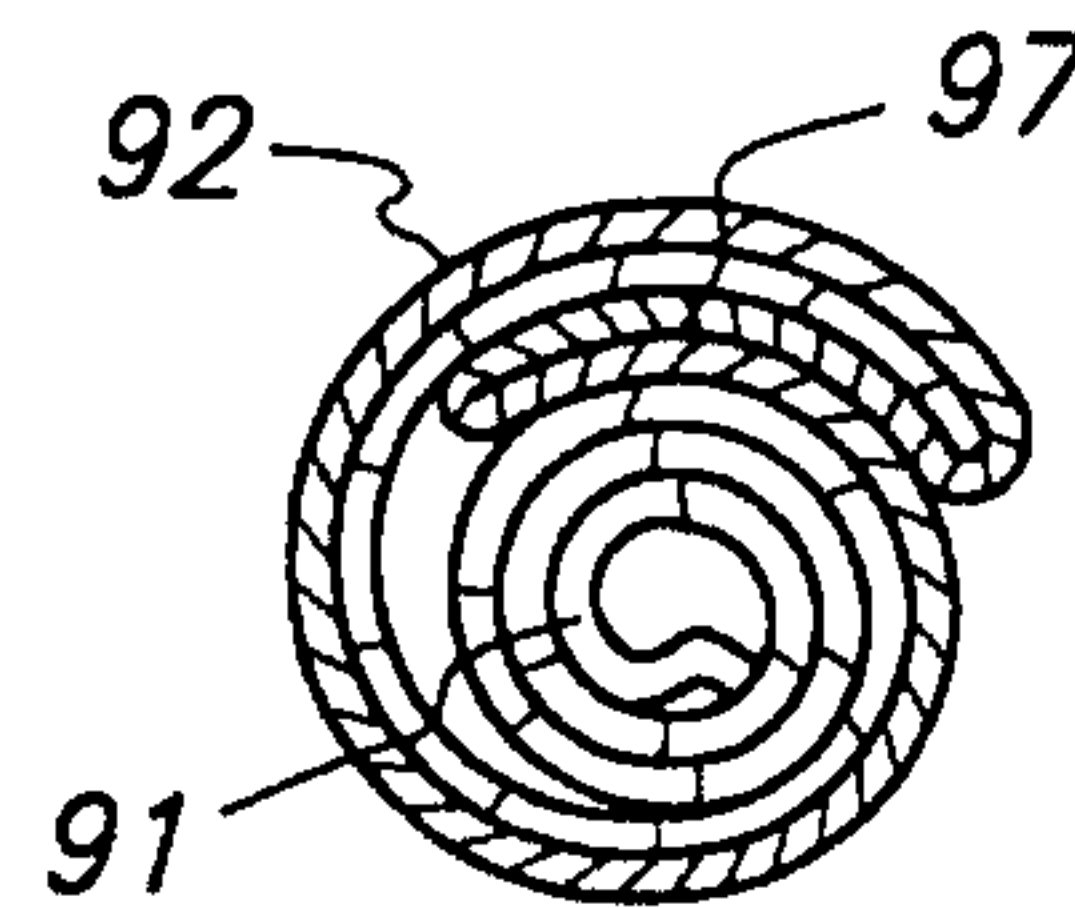


**FIG. 11B**

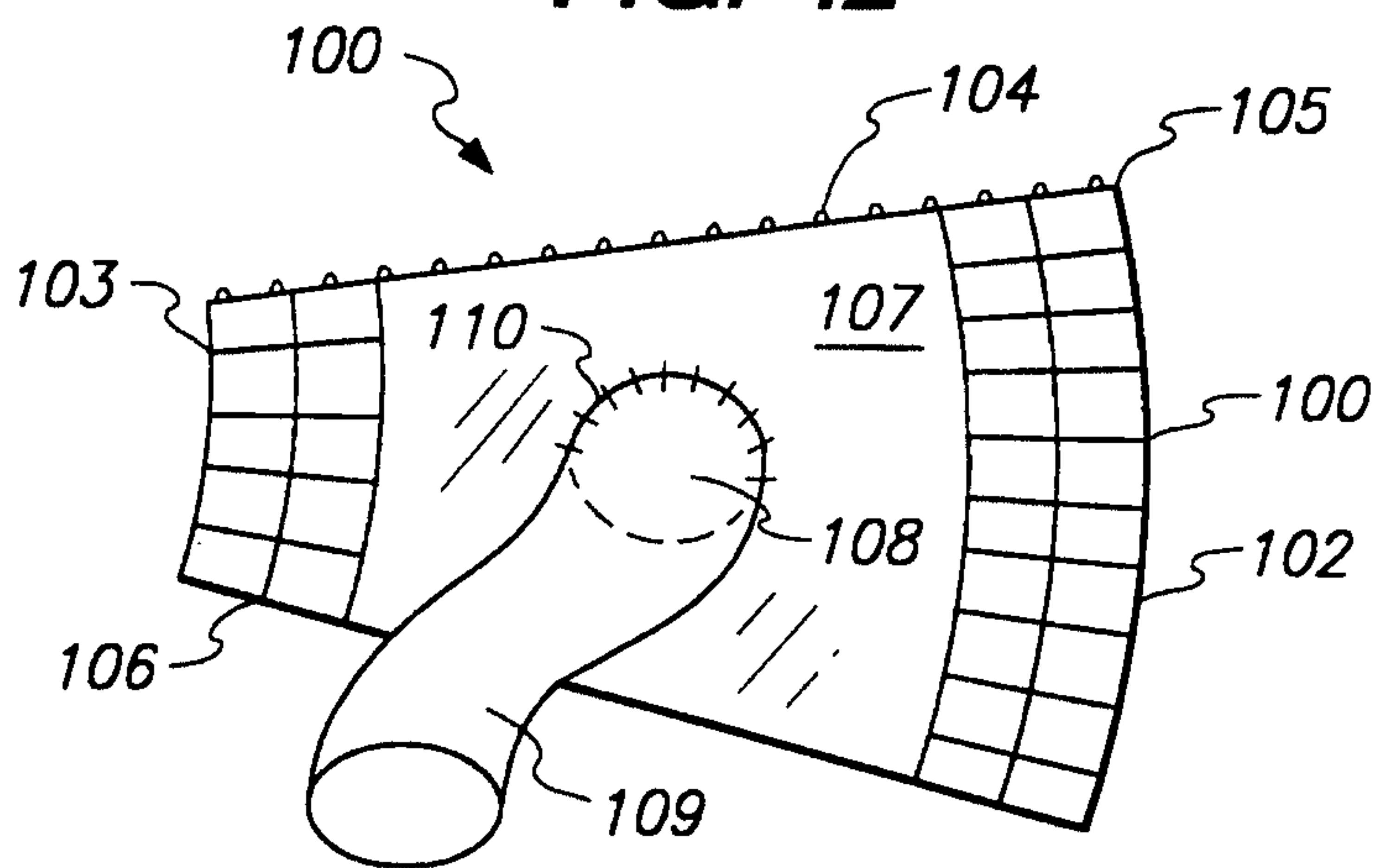




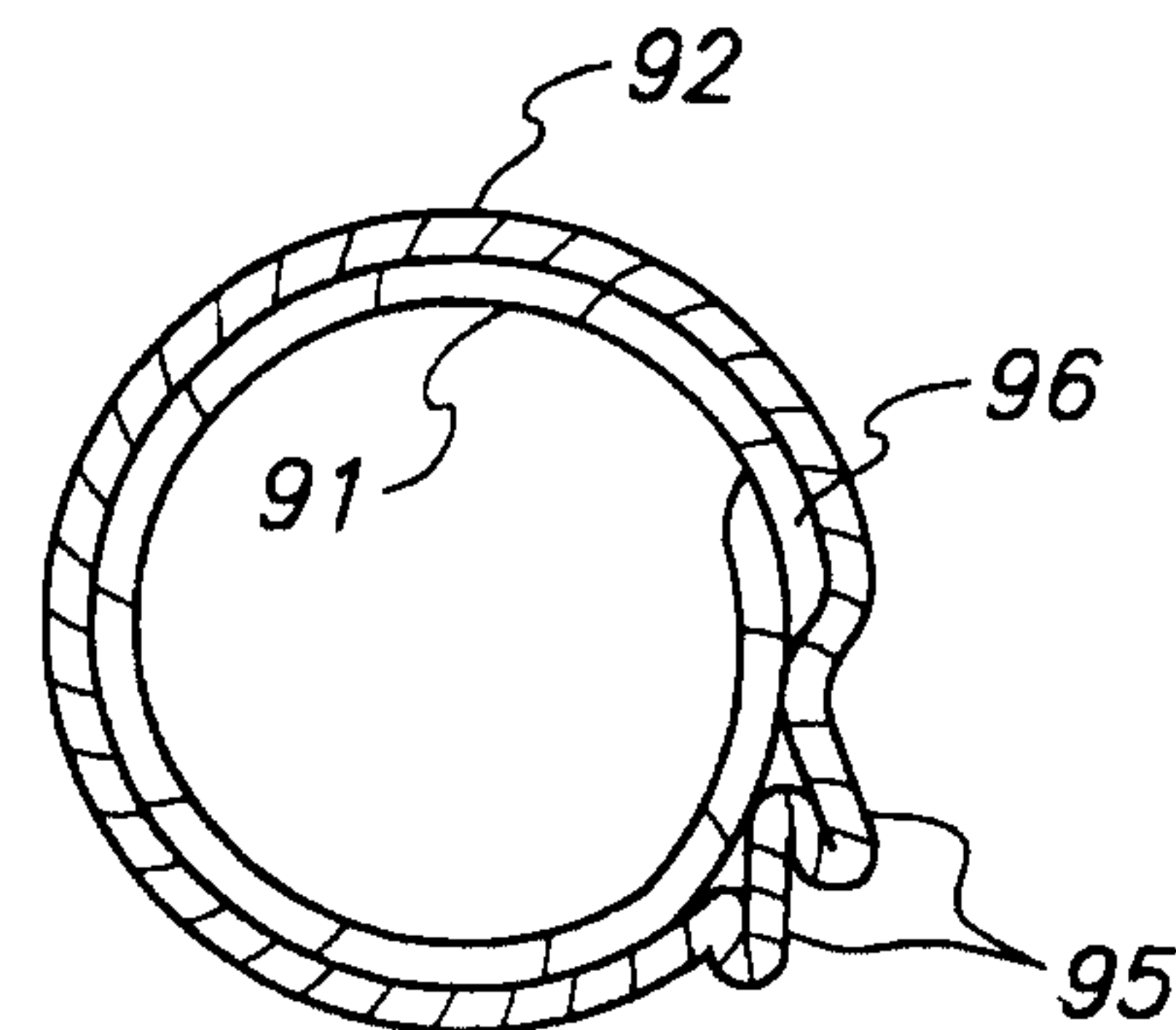
**FIG. 12**



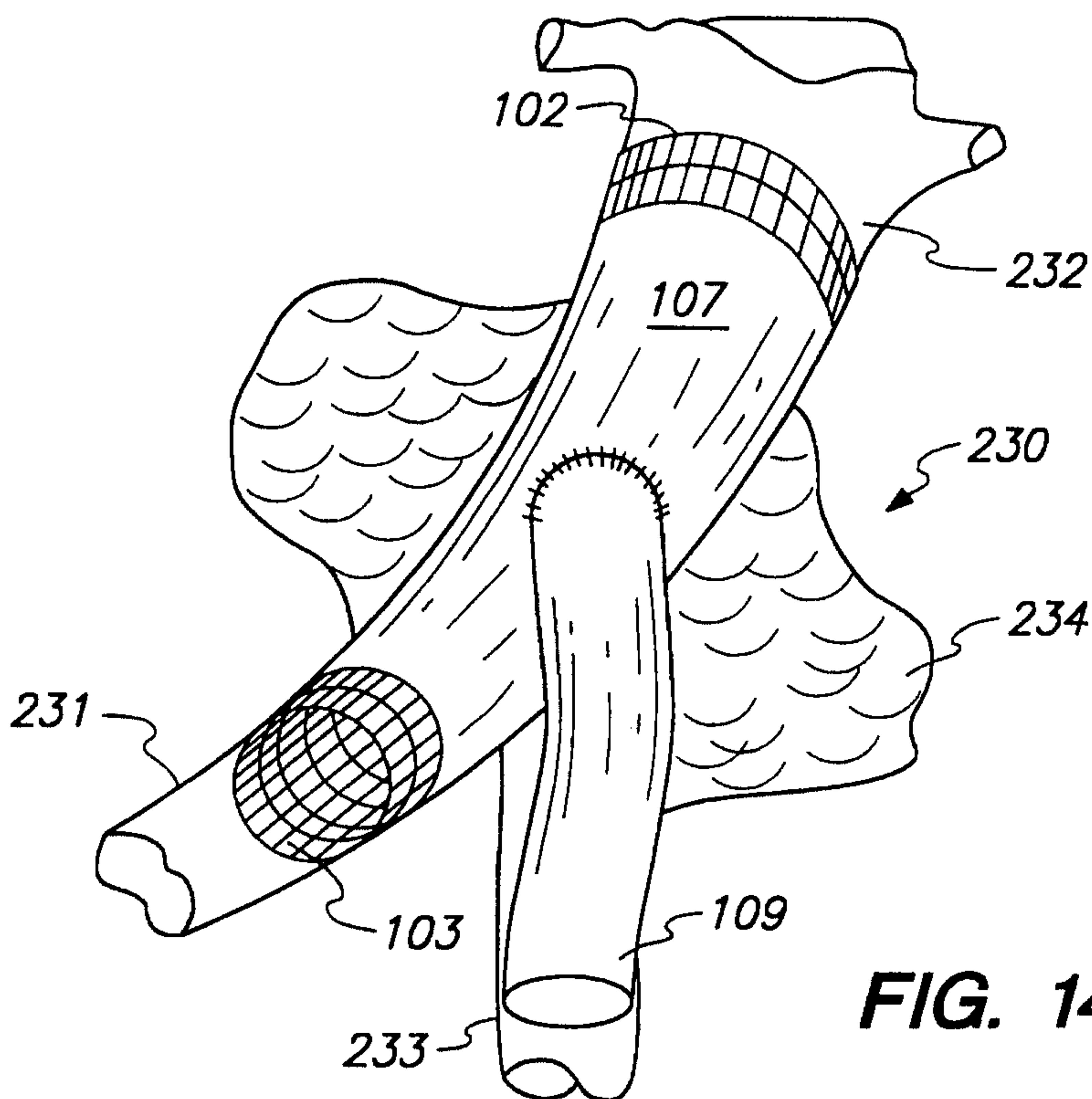
**FIG. 13A**



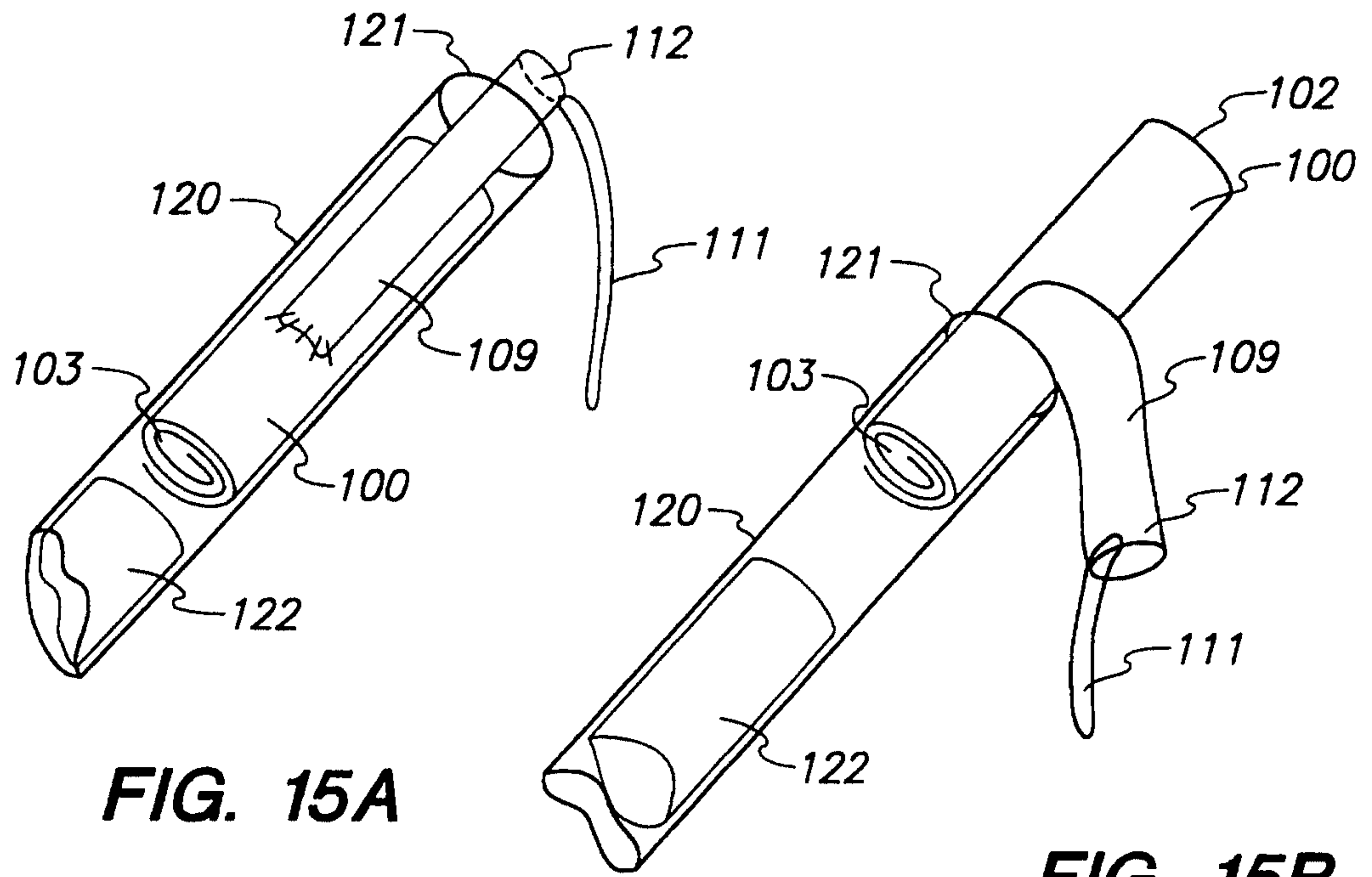
**FIG. 14A**



**FIG. 13B**

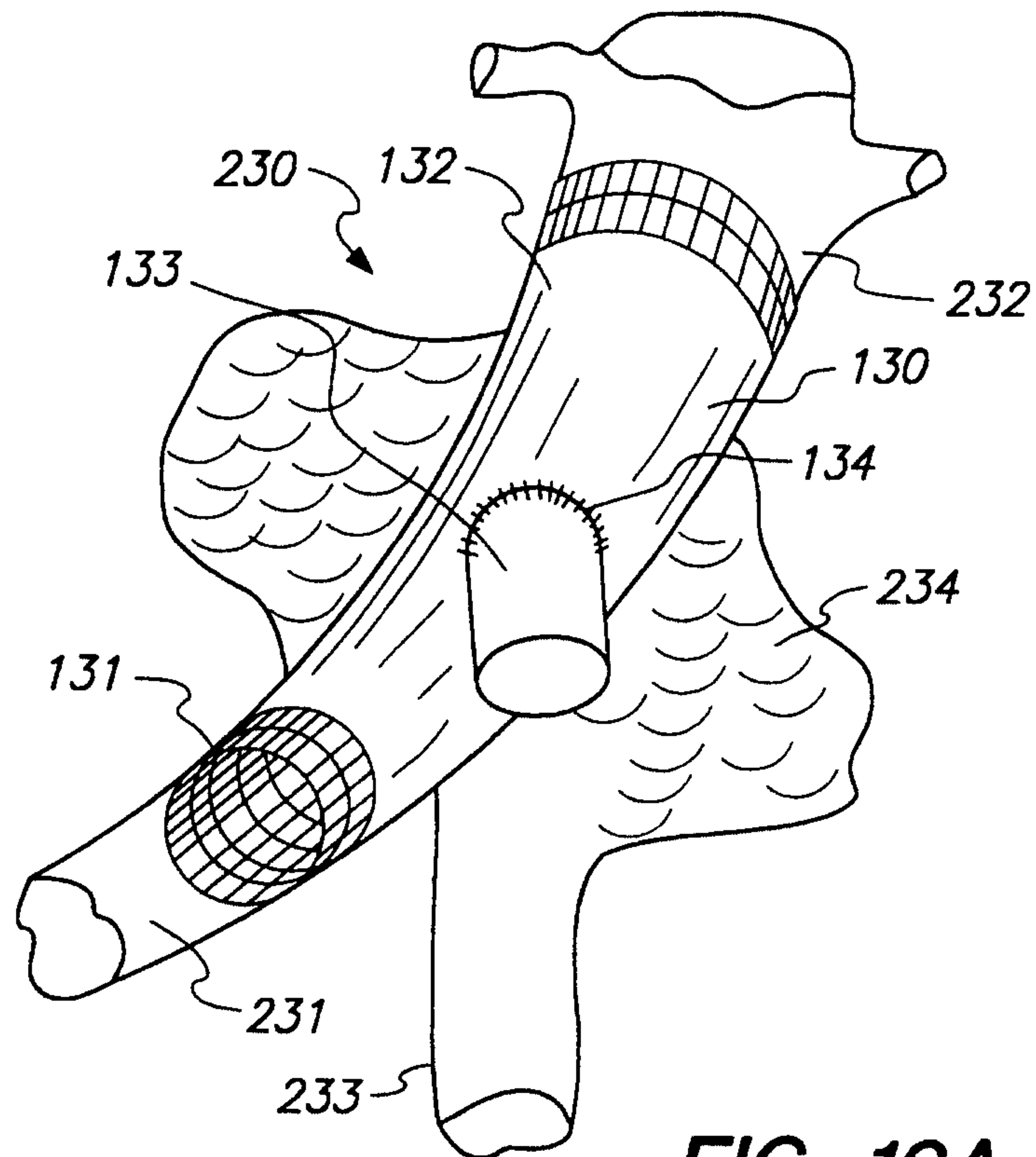


**FIG. 14B**



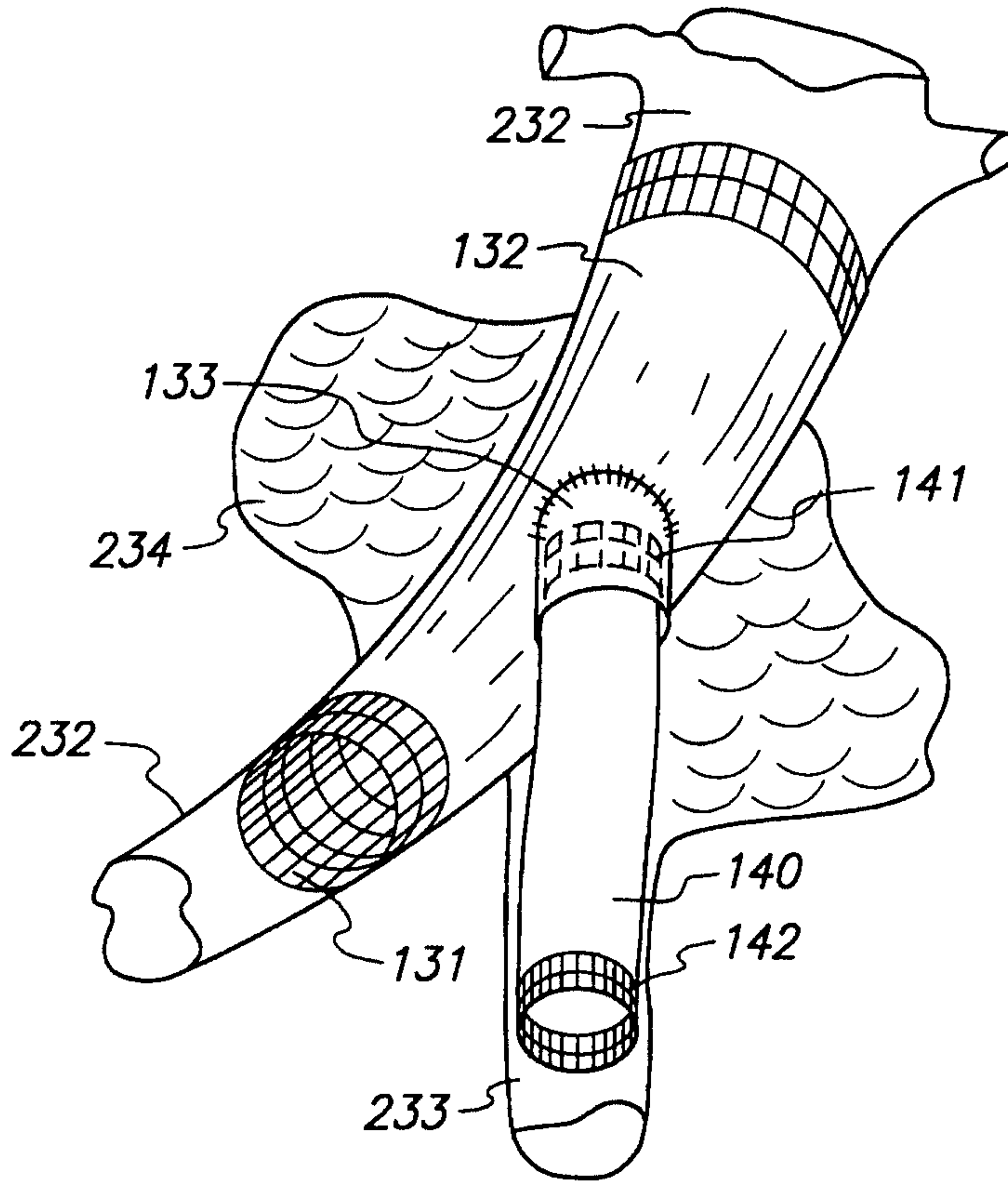
**FIG. 15A**

**FIG. 15B**



**FIG. 16A**





**FIG. 16B**