

(19) World Intellectual Property Organization
International Bureau



(43) International Publication Date
11 August 2005 (11.08.2005)

PCT

(10) International Publication Number
WO 2005/072217 A3

- (51) International Patent Classification:
A61M 16/00 (2006.01)
- (21) International Application Number:
PCT/US2005/001740
- (22) International Filing Date: 20 January 2005 (20.01.2005)
- (25) Filing Language: English
- (26) Publication Language: English
- (30) Priority Data:
60/537,550 20 January 2004 (20.01.2004) US
10/772,757 5 February 2004 (05.02.2004) US

GB, GD, GE, GH, GM, HR, HU, ID, IL, IN, IS, JP, KE, KG, KP, KR, KZ, LC, LK, LR, LS, LT, LU, LV, MA, MD, MG, MK, MN, MW, MX, NA, NI, NO, NZ, OM, PG, PH, PL, PT, RO, RU, SC, SD, SE, SG, SK, SL, SM, SY, TJ, TM, TN, TR, TT, TZ, UA, UG, US, UZ, VC, VN, YU, ZA, ZM, ZW.

- (71) Applicant and
- (72) Inventor: **ROCK, Michael** [US/US]; 620 Bent Creek Ridge, Deerfield, IL 60015 (US).
- (74) Agent: **CHAEL, Mark, L.**; McDonnell Boehnen, Hulbert & Berghoff, LLP, 32nd Floor, 300 South Wacker Drive, Chicago, IL 60606 (US).

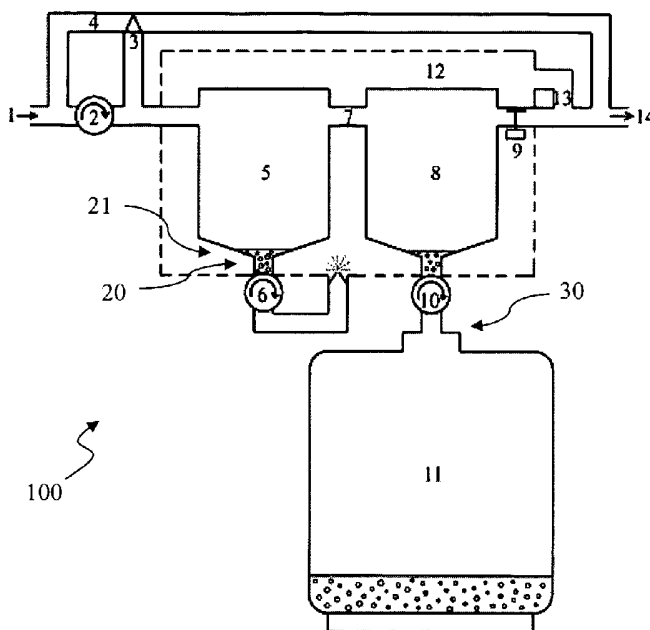
(84) Designated States (unless otherwise indicated, for every kind of regional protection available): ARIPO (BW, GH, GM, KE, LS, MW, MZ, NA, SD, SL, SZ, TZ, UG, ZM, ZW), Eurasian (AM, AZ, BY, KG, KZ, MD, RU, TJ, TM), European (AT, BE, BG, CH, CY, CZ, DE, DK, EE, ES, FI, FR, GB, GR, HU, IE, IS, IT, LT, LU, MC, NL, PL, PT, RO, SE, SI, SK, TR), OAPI (BF, BJ, CF, CG, CI, CM, GA, GN, GQ, GW, ML, MR, NE, SN, TD, TG).

Published:
— with international search report
— before the expiration of the time limit for amending the claims and to be republished in the event of receipt of amendments

(88) Date of publication of the international search report:
2 November 2006

For two-letter codes and other abbreviations, refer to the "Guidance Notes on Codes and Abbreviations" appearing at the beginning of each regular issue of the PCT Gazette.

(54) Title: ANESTHETIC AGENT RECOVERY



(57) Abstract: Herein are devices and a method for the recovery of one or more anesthetic agents after they have been exhaled from a patient undergoing surgery and before they have been vented to the atmosphere. Typical anesthetic agents include, but are not limited to, isoflurane, desflurane, sevoflurane, and the like. Recovery of the anesthetic agents should result in numerous benefits including, but not limited to, reduction of their production costs, protection of the environment, and the like.

WO 2005/072217 A3

INTERNATIONAL SEARCH REPORT

International application No.
PCT/US05/01740

A. CLASSIFICATION OF SUBJECT MATTER
 IPC: **F25D 17/06**(2006.01);**F25J 3/00**(2006.01)

 USPC: 62/93,617
 According to International Patent Classification (IPC) or to both national classification and IPC

B. FIELDS SEARCHED
 Minimum documentation searched (classification system followed by classification symbols)
 U.S. : 62/93,617

 Documentation searched other than minimum documentation to the extent that such documents are included in the fields searched

 Electronic data base consulted during the international search (name of data base and, where practicable, search terms used)

C. DOCUMENTS CONSIDERED TO BE RELEVANT

Category *	Citation of document, with indication, where appropriate, of the relevant passages	Relevant to claim No.
X --- Y	US 5,520,169 (Georgieff et al.) 28 May 1996 (28.05.1996), column 1, line 22-30 and 60-65, column 4, lines 42-67, column 5, line 1 - column 6, line 46, Figure 1.	1-3,5,7,9-12,14 and 17 ----- 4 and 8
Y	US 5,676,133 (HICKLE et al.) 14 October 1997 (14.10.1997), Abstract, column 7, lines 35-52, Figure 1.	4 and 8

Further documents are listed in the continuation of Box C. See patent family annex.

* Special categories of cited documents:	"T" later document published after the international filing date or priority date and not in conflict with the application but cited to understand the principle or theory underlying the invention
"A" document defining the general state of the art which is not considered to be of particular relevance	"X" document of particular relevance; the claimed invention cannot be considered novel or cannot be considered to involve an inventive step when the document is taken alone
"E" earlier application or patent published on or after the international filing date	"Y" document of particular relevance; the claimed invention cannot be considered to involve an inventive step when the document is combined with one or more other such documents, such combination being obvious to a person skilled in the art
"L" document which may throw doubts on priority claim(s) or which is cited to establish the publication date of another citation or other special reason (as specified)	"&" document member of the same patent family
"O" document referring to an oral disclosure, use, exhibition or other means	
"P" document published prior to the international filing date but later than the priority date claimed	

Date of the actual completion of the international search 25 June 2006 (25.06.2006)	Date of mailing of the international search report 28 AUG 2006
Name and mailing address of the ISA/US Mail Stop PCT, Attn: ISA/US Commissioner for Patents P.O. Box 1450 Alexandria, Virginia 22313-1450 Facsimile No. (571) 273-3201	Authorized officer <i>For Cheryl Tyler</i> <i>J. Libby</i> Telephone No. (571) 272-3750