

(19) World Intellectual Property Organization
International Bureau



(43) International Publication Date
7 December 2006 (07.12.2006)

PCT

(10) International Publication Number
WO 2006/129268 A3

- (51) International Patent Classification:
F21S 8/00 (2006.01) *A61N 5/06* (2006.01)
- (21) International Application Number:
PCT/IB2006/051710
- (22) International Filing Date: 30 May 2006 (30.05.2006)
- (25) Filing Language: English
- (26) Publication Language: English
- (30) Priority Data:
05104714.0 1 June 2005 (01.06.2005) EP
05109349.0 7 October 2005 (07.10.2005) EP
06110558.1 1 March 2006 (01.03.2006) EP
- (71) Applicant (for all designated States except US): **KONINKLIJKE PHILIPS ELECTRONICS N.V.** [NL/NL];
Groenewoudseweg 1, NL-5621 BA Eindhoven (NL).
- (72) Inventors; and
- (75) Inventors/Applicants (for US only): **STAATS, Cornelia, T.** [NL/NL]; C/o Prof. Holstlaan 6, NL-5656 AA Eindhoven (NL). **WAUMANS, Lars, R., C.** [NL/NL];
C/o Prof. Holstlaan 6, NL-5656 AA Eindhoven (NL).

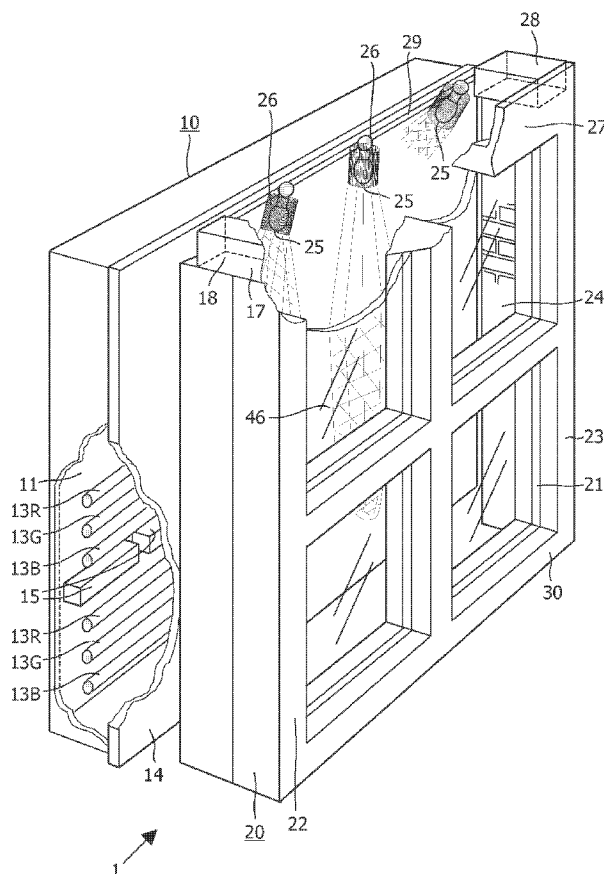
HUIJGEN, Gerrit, J., T. [NL/NL]; C/o Prof. Holstlaan 6, NL-5656 AA Eindhoven (NL). **ANTONIS, Piet** [NL/NL]; C/o Prof. Holstlaan 6, NL-5656 AA Eindhoven (NL). **EIJSERMANS, Joseph, F., R.** [NL/NL]; C/o Prof. Holstlaan 6, NL-5656 AA Eindhoven (NL). **VAN TERTHOLEN, Onno** [NL/NL]; C/o Prof. Holstlaan 6, NL-5656 AA Eindhoven (NL). **SEMPEL, Adrianus** [NL/NL]; C/o Prof. Holstlaan 6, NL-5656 AA Eindhoven (NL).

(74) Agents: **PET, Robert, J.** et al.; Prof. Holstlaan 6, NL-5656 AA Eindhoven (NL).

(81) Designated States (unless otherwise indicated, for every kind of national protection available): AE, AG, AL, AM, AT, AU, AZ, BA, BB, BG, BR, BW, BY, BZ, CA, CH, CN, CO, CR, CU, CZ, DE, DK, DM, DZ, EC, EE, EG, ES, FI, GB, GD, GE, GH, GM, HR, HU, ID, IL, IN, IS, JP, KE, KG, KM, KN, KP, KR, KZ, LC, LK, LR, LS, LT, LU, LV, LY, MA, MD, MG, MK, MN, MW, MX, MZ, NA, NG, NI, NO, NZ, OM, PG, PH, PL, PT, RO, RU, SC, SD, SE, SG, SK, SL, SM, SY, TJ, TM, TN, TR, TT, TZ, UA, UG, US, UZ, VC, VN, YU, ZA, ZM, ZW.

[Continued on next page]

(54) Title: ARTIFICIAL WINDOW



(57) Abstract: Disclosed is an artificial window (1) comprising a light box (10) having a rear wall (11) and a planar diffuser arrangement (14) in front of the rear wall (11). The artificial window further comprises at least one first light source (13) extending between the rear wall (11) and the diffuser (14); a window frame (20) in front of the diffuser (14); and drivers (15, 28) arranged for operating the light source (13) and electrically connected to the light source (13). The artificial window also comprises at least one additional light source (25) electrically connected to one of said drivers (28), which additional light source (25) radiates light in substantially one direction and is arranged to radiate light onto a portion of the front side of the diffuser arrangement (14) during operation.

WO 2006/129268 A3



(84) **Designated States** (*unless otherwise indicated, for every kind of regional protection available*): ARIPO (BW, GH, GM, KE, LS, MW, MZ, NA, SD, SL, SZ, TZ, UG, ZM, ZW), Eurasian (AM, AZ, BY, KG, KZ, MD, RU, TJ, TM), European (AT, BE, BG, CH, CY, CZ, DE, DK, EE, ES, FI, FR, GB, GR, HU, IE, IS, IT, LT, LU, LV, MC, NL, PL, PT, RO, SE, SI, SK, TR), OAPI (BF, BJ, CF, CG, CI, CM, GA, GN, GQ, GW, ML, MR, NE, SN, TD, TG).

Declaration under Rule 4.17:

— *as to applicant's entitlement to apply for and be granted a patent (Rule 4.17(ii))*

Published:

— *with international search report*

(88) **Date of publication of the international search report:**
1 March 2007

For two-letter codes and other abbreviations, refer to the "Guidance Notes on Codes and Abbreviations" appearing at the beginning of each regular issue of the PCT Gazette.

INTERNATIONAL SEARCH REPORT

International application No
PCT/IB2006/051710

A. CLASSIFICATION OF SUBJECT MATTER
INV. F21S8/00 A61N5/06

According to International Patent Classification (IPC) or to both national classification and IPC

B. FIELDS SEARCHED

Minimum documentation searched (classification system followed by classification symbols)
F21S F21V G09F A61N

Documentation searched other than minimum documentation to the extent that such documents are included in the fields searched

Electronic data base consulted during the international search (name of data base and, where practical, search terms used)

EPO-Internal, WPI Data

C. DOCUMENTS CONSIDERED TO BE RELEVANT

Category*	Citation of document, with indication, where appropriate, of the relevant passages	Relevant to claim No.
Y	EP 1 052 364 A (TASSONI LUIGI [IT]; PESENTI MARCELLA [IT]) 15 November 2000 (2000-11-15) figures 2-4 paragraphs [0020], [0021], [0024], [0025], [0039], [0041], [0043], [0048]	1-11
Y	WO 92/13474 A (MCMANIGAL PAUL G [US]; AHLSTONE ARTHUR G [US]) 20 August 1992 (1992-08-20) page 1, lines 7-14 page 3, lines 21-32 page 17, lines 6-9 figure 15	1-11

Further documents are listed in the continuation of Box C.

See patent family annex.

* Special categories of cited documents :

- "A" document defining the general state of the art which is not considered to be of particular relevance
- "E" earlier document but published on or after the international filing date
- "L" document which may throw doubts on priority claim(s) or which is cited to establish the publication date of another citation or other special reason (as specified)
- "O" document referring to an oral disclosure, use, exhibition or other means
- "P" document published prior to the international filing date but later than the priority date claimed

- "T" later document published after the international filing date or priority date and not in conflict with the application but cited to understand the principle or theory underlying the invention
- "X" document of particular relevance; the claimed invention cannot be considered novel or cannot be considered to involve an inventive step when the document is taken alone
- "Y" document of particular relevance; the claimed invention cannot be considered to involve an inventive step when the document is combined with one or more other such documents, such combination being obvious to a person skilled in the art.
- "&" document member of the same patent family

Date of the actual completion of the international search

14 November 2006

Date of mailing of the international search report

30/11/2006

Name and mailing address of the ISA/

European Patent Office, P.B. 5818 Patentlaan 2
NL - 2280 HV Rijswijk
Tel. (+31-70) 340-2040, Tx. 31 651 epo nl,
Fax: (+31-70) 340-3016

Authorized officer

Chao, Oscar

INTERNATIONAL SEARCH REPORT

International application No
PCT/IB2006/051710

C(Continuation). DOCUMENTS CONSIDERED TO BE RELEVANT		
Category*	Citation of document, with indication, where appropriate, of the relevant passages	Relevant to claim No.
Y	US 1 607 922 A (SCHWEITZER EDMUND O) 23 November 1926 (1926-11-23) figure 4 page 2, column 1, lines 35-51	1-11
Y	US 5 253 051 A (MCMANIGAL PAUL G [US]) 12 October 1993 (1993-10-12) column 5, lines 37-48; figure 7	1-11
Y	JP 2001 167607 A (MATSUSHITA ELECTRIC WORKS LTD; GENSHIRYOKU ANZEN SYST KENKYUS) 22 June 2001 (2001-06-22) abstract; figure 1	1-11
Y	JP 2001 176679 A (MATSUSHITA ELECTRIC WORKS LTD) 29 June 2001 (2001-06-29) abstract; figure 1	1-11
Y	JP 2002 089912 A (HITACHI CHEMICAL CO LTD) 27 March 2002 (2002-03-27) abstract; figure 1	1-11
Y	GB 2 223 565 A (FERENCZI MICHAEL ALAN) 11 April 1990 (1990-04-11) cited in the application pages 2-3; figure 2	1-11

INTERNATIONAL SEARCH REPORT

Information on patent family members

International application No PCT/IB2006/051710

Patent document cited in search report	A	Publication date	IT	Patent family member(s)	Publication date
EP 1052364	A	15-11-2000	IT	MI991067 A1	14-11-2000
WO 9213474	A	20-08-1992	AU	1374392 A	07-09-1992
			EP	0591221 A1	13-04-1994
			JP	6508304 T	22-09-1994
US 1607922	A	23-11-1926	NONE		
US 5253051	A	12-10-1993	NONE		
JP 2001167607	A	22-06-2001	NONE		
JP 2001176679	A	29-06-2001	JP	3755363 B2	15-03-2006
JP 2002089912	A	27-03-2002	NONE		
GB 2223565	A	11-04-1990	NONE		