



(51) International Patent Classification:
E04C 2/22 (2006.01) *B21F 27/02* (2006.01)
B29D 99/00 (2010.01)

(21) International Application Number:
PCT/IB2010/052891

(22) International Filing Date:
24 June 2010 (24.06.2010)

(25) Filing Language: Italian

(26) Publication Language: English

(30) Priority Data:
BO2009A000417 29 June 2009 (29.06.2009) IT

(72) Inventor; and

(71) Applicant : CANDIRACCI, Angelo [IT/IT]; Località Rosciano, 44, I-61032 Fano (pesaro-urbino) (IT).

(74) Agent: FANZINI, Valeriano; c/o BUGNION S.p.A., Via Goito, 18, I-40126 Bologna (IT).

(81) Designated States (unless otherwise indicated, for every kind of national protection available): AE, AG, AL, AM, AO, AT, AU, AZ, BA, BB, BG, BH, BR, BW, BY, BZ, CA, CH, CL, CN, CO, CR, CU, CZ, DE, DK, DM, DO, DZ, EC, EE, EG, ES, FI, GB, GD, GE, GH, GM, GT,

HN, HR, HU, ID, IL, IN, IS, JP, KE, KG, KM, KN, KP, KR, KZ, LA, LC, LK, LR, LS, LT, LU, LY, MA, MD, ME, MG, MK, MN, MW, MX, MY, MZ, NA, NG, NI, NO, NZ, OM, PE, PG, PH, PL, PT, RO, RS, RU, SC, SD, SE, SG, SK, SL, SM, ST, SV, SY, TH, TJ, TM, TN, TR, TT, TZ, UA, UG, US, UZ, VC, VN, ZA, ZM, ZW.

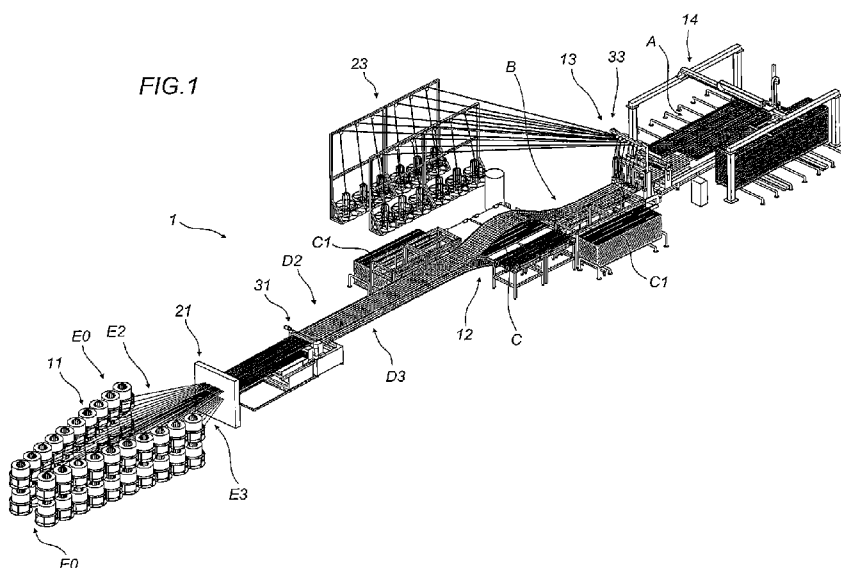
(84) Designated States (unless otherwise indicated, for every kind of regional protection available): ARIPO (BW, GH, GM, KE, LR, LS, MW, MZ, NA, SD, SL, SZ, TZ, UG, ZM, ZW), Eurasian (AM, AZ, BY, KG, KZ, MD, RU, TJ, TM), European (AL, AT, BE, BG, CH, CY, CZ, DE, DK, EE, ES, FI, FR, GB, GR, HR, HU, IE, IS, IT, LT, LU, LV, MC, MK, MT, NL, NO, PL, PT, RO, SE, SI, SK, SM, TR), OAPI (BF, BJ, CF, CG, CI, CM, GA, GN, GQ, GW, ML, MR, NE, SN, TD, TG).

Published:

- with international search report (Art. 21(3))
- before the expiration of the time limit for amending the claims and to be republished in the event of receipt of amendments (Rule 48.2(h))

(88) Date of publication of the international search report:
5 May 2011

(54) Title: INSTALLATION AND PROCESS FOR MAKING PANELS



(57) Abstract: Described are an installation (1) and a process for making panels (A), in particular panels (A) used for the construction of a building; comprising means adapted for making a longitudinal body (B) of material for panels; and means for making from the body (B) of panel material panels (A) whose length (L) is selectively predetermined.

WO 2011/001341 A3

INTERNATIONAL SEARCH REPORT

International application No
PCT/IB2010/052891

A. CLASSIFICATION OF SUBJECT MATTER INV. E04C2/22 ADD. B29D99/00 B21F27/02		
According to International Patent Classification (IPC) or to both national classification and IPC		
B. FIELDS SEARCHED		
Minimum documentation searched (classification system followed by classification symbols) B29D E04C B21F		
Documentation searched other than minimum documentation to the extent that such documents are included in the fields searched		
Electronic data base consulted during the international search (name of data base and, where practical, search terms used) EPO-Internal, WPI Data		
C. DOCUMENTS CONSIDERED TO BE RELEVANT		
Category*	Citation of document, with indication, where appropriate, of the relevant passages	Relevant to claim No.
X	WO 2006/008166 A1 (BRANCA ALFONSO [IT]) 26 January 2006 (2006-01-26)	1-3,5-7, 77-82
Y	* abstract figure 1 page 6, line 10 - line 13 page 9, line 24 - line 27	4,9, 13-17, 19-21, 23,25, 33,35,74
Y	----- WO 2009/037545 A2 (CANDIRACCI ANGELO [IT]) 26 March 2009 (2009-03-26) page 6, line 26 - page 7, line 13 page 8, line 18 - line 33 page 9, line 16 - line 26 page 10, line 12 - line 13	4,9,33, 35,74
Y	----- DE 505 020 C (HEINRICH BAX) 12 August 1930 (1930-08-12) the whole document -----	13-17, 19-21, 23,25
<input type="checkbox"/> Further documents are listed in the continuation of Box C. <input checked="" type="checkbox"/> See patent family annex.		
* Special categories of cited documents :		
"A" document defining the general state of the art which is not considered to be of particular relevance "E" earlier document but published on or after the international filing date "L" document which may throw doubts on priority claim(s) or which is cited to establish the publication date of another citation or other special reason (as specified) "O" document referring to an oral disclosure, use, exhibition or other means "P" document published prior to the international filing date but later than the priority date claimed		"T" later document published after the international filing date or priority date and not in conflict with the application but cited to understand the principle or theory underlying the invention "X" document of particular relevance; the claimed invention cannot be considered novel or cannot be considered to involve an inventive step when the document is taken alone "Y" document of particular relevance; the claimed invention cannot be considered to involve an inventive step when the document is combined with one or more other such documents, such combination being obvious to a person skilled in the art. "&" document member of the same patent family
Date of the actual completion of the international search 23 February 2011		Date of mailing of the international search report 01/03/2011
Name and mailing address of the ISA/ European Patent Office, P.B. 5818 Patentlaan 2 NL - 2280 HV Rijswijk Tel. (+31-70) 340-2040, Fax: (+31-70) 340-3016		Authorized officer Lozza, Monica

INTERNATIONAL SEARCH REPORT

International application No.
PCT/IB2010/052891

Box No. II Observations where certain claims were found unsearchable (Continuation of item 2 of first sheet)

This international search report has not been established in respect of certain claims under Article 17(2)(a) for the following reasons:

1. Claims Nos.:
because they relate to subject matter not required to be searched by this Authority, namely:

2. Claims Nos.:
because they relate to parts of the international application that do not comply with the prescribed requirements to such an extent that no meaningful international search can be carried out, specifically:

3. Claims Nos.:
because they are dependent claims and are not drafted in accordance with the second and third sentences of Rule 6.4(a).

Box No. III Observations where unity of invention is lacking (Continuation of item 3 of first sheet)

This International Searching Authority found multiple inventions in this international application, as follows:

see additional sheet

1. As all required additional search fees were timely paid by the applicant, this international search report covers all searchable claims.

2. As all searchable claims could be searched without effort justifying an additional fees, this Authority did not invite payment of additional fees.

3. As only some of the required additional search fees were timely paid by the applicant, this international search report covers only those claims for which fees were paid, specifically claims Nos.:

1-36, 74, 77-82

4. No required additional search fees were timely paid by the applicant. Consequently, this international search report is restricted to the invention first mentioned in the claims; it is covered by claims Nos.:

Remark on Protest

- The additional search fees were accompanied by the applicant's protest and, where applicable, the payment of a protest fee.
- The additional search fees were accompanied by the applicant's protest but the applicable protest fee was not paid within the time limit specified in the invitation.
- No protest accompanied the payment of additional search fees.

FURTHER INFORMATION CONTINUED FROM PCT/ISA/ 210

This International Searching Authority found multiple (groups of) inventions in this international application, as follows:

1. claims: 1-7, 77-82

Installation and process for making panels of selectively predetermined length out of a longitudinal body, including reinforcement means

2. claims: 8-12, 32-36, 74

Means for cutting reinforcement means in the production of a reinforced panel

3. claims: 13-31

Means for engaging reinforcement means in the production of a reinforced panel

4. claims: 37-56, 75

Means for feeding and positioning blocks of core material in the production of a reinforced panel

5. claims: 57-62, 76

Means for unloading panels in the production of reinforced panels

6. claims: 63-73

Means for storing, feeding, detecting and joining reinforcement materials in the production of a reinforced panel

INTERNATIONAL SEARCH REPORT

Information on patent family members

International application No

PCT/IB2010/052891

Patent document cited in search report	Publication date	Patent family member(s)	Publication date
WO 2006008166	A1	26-01-2006	EP 1786616 A1 23-05-2007
			US 2008193710 A1 14-08-2008

WO 2009037545	A2	26-03-2009	AR 070755 A1 05-05-2010
			EP 2190606 A2 02-06-2010
			US 2011024056 A1 03-02-2011

DE 505020	C	12-08-1930	NONE
