



US00D766446S

(12) **United States Design Patent** (10) **Patent No.:** **US D766,446 S**
Leppert et al. (45) **Date of Patent:** **** Sep. 13, 2016**

(54) **MEDICAL LEVEL DEVICE**
(71) Applicant: **Leppert Level LLC**, Coeur D Alene, ID (US)
(72) Inventors: **Joshua J. Leppert**, Coeur D Alene, ID (US); **Joseph C. Livengood**, Fort Collins, CO (US); **Barry T. Phillips**, Fort Collins, CO (US)
(73) Assignee: **Leppert Level LLC**, Coeur D Alene, ID (US)

4,481,720 A 11/1984 Sury
4,546,774 A 10/1985 Haught
4,599,806 A 7/1986 Wright
4,656,752 A 4/1987 Wu
4,669,484 A 6/1987 Masters
4,733,661 A 3/1988 Palestrant
4,745,689 A 5/1988 Hiltz

(Continued)

OTHER PUBLICATIONS

Official Action for U.S. Appl. No. 13/565,631, mailed May 9, 2013, 16 pages.

(Continued)

(**) Term: **14 Years**
(21) Appl. No.: **29/500,125**
(22) Filed: **Aug. 21, 2014**

Primary Examiner — T. Chase Nelson
Assistant Examiner — Mark Cavanna
(74) *Attorney, Agent, or Firm* — Sheridan Ross P.C.

Related U.S. Application Data

(63) Continuation of application No. 13/565,631, filed on Aug. 2, 2012, now abandoned.
(51) **LOC (10) Cl.** **24-01**
(52) **U.S. Cl.**
USPC **D24/186**
(58) **Field of Classification Search**
USPC D24/133, 140, 186, 231; D10/62, D10/64-65; 33/403, 465, 471, 503-505, 33/511-512, 1 N, 458; 606/130; 600/486, 600/595
See application file for complete search history.

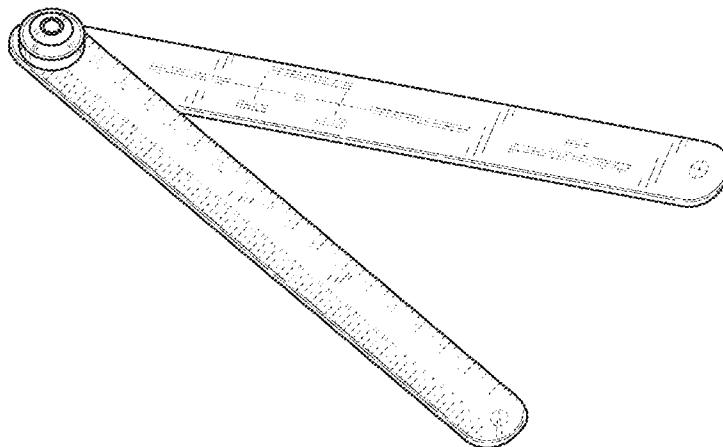
(57) **CLAIM**
The ornamental design for a medical level device, as shown and described.

DESCRIPTION

FIG. 1 is a front perspective view of the medical level device;
FIG. 2 is a top plan view of the medical level device of FIG. 1;
FIG. 3 is a bottom plan view of the medical level of FIG. 1;
FIG. 4 is a front elevation view of the medical level device of FIG. 1;
FIG. 5 is a rear elevation view of the medical level device of FIG. 1;
FIG. 6 is a right elevation view of the medical level device of FIG. 1; and,
FIG. 7 is a left elevation view of the medical level device of FIG. 1.
The broken lines illustrate unclaimed indicia on the surface of the medical level device and form no part of the claimed design.

(56) **References Cited**
U.S. PATENT DOCUMENTS
1,585,563 A * 5/1926 Schlattau 33/471
3,270,420 A * 9/1966 Simril 33/471
3,496,643 A * 2/1970 O'Malley 33/403
3,996,927 A 12/1976 Frank
4,168,578 A 9/1979 VanderWerf
4,262,424 A 4/1981 Hornbeck
4,442,606 A * 4/1984 Graham et al. 33/1 N
4,471,535 A 9/1984 Kufrovich et al.

1 Claim, 6 Drawing Sheets



(56)

References Cited

U.S. PATENT DOCUMENTS

4,771,548 A * 9/1988 Donnery 33/512
 D298,806 S * 12/1988 Tandy D10/62
 4,813,149 A 3/1989 Herkimer
 5,063,679 A 11/1991 Schwandt
 5,068,886 A 11/1991 Lavia
 5,163,228 A * 11/1992 Edwards et al. 33/1 N
 5,168,633 A 12/1992 Harrison et al.
 5,196,019 A * 3/1993 Davis et al. 606/130
 D337,955 S * 8/1993 Edwards D10/65
 5,239,761 A 8/1993 Wu et al.
 5,239,855 A 8/1993 Schleifer et al.
 D341,786 S * 11/1993 Waterhouse D10/65
 5,263,492 A * 11/1993 Voyce 600/595
 5,357,683 A 10/1994 Trevino
 5,459,935 A 10/1995 Paulson et al.
 5,488,777 A 2/1996 Erdesky
 5,836,081 A 11/1998 Orosz, Jr.
 5,881,468 A 3/1999 Baumann
 6,029,359 A 2/2000 Szumer
 6,049,990 A 4/2000 Holland
 6,071,243 A 6/2000 MacEachern
 6,467,179 B1 10/2002 Wolf
 6,470,586 B2 10/2002 Kneipp
 6,543,144 B1 4/2003 Morin

D500,691 S 1/2005 Fesmire
 6,839,974 B1 1/2005 Hitchcock
 6,954,990 B2 10/2005 Ellis
 7,137,209 B2 11/2006 Northern et al.
 7,152,335 B2 12/2006 Nichols
 D544,382 S 6/2007 Bowers
 7,299,560 B2 * 11/2007 Diaz et al. 33/471
 D559,135 S 1/2008 Zhuang
 D563,808 S 3/2008 Schwartz et al.
 D576,063 S 9/2008 Silberberg
 D579,360 S 10/2008 Crain et al.
 D579,803 S 11/2008 Crain et al.
 D587,900 S 3/2009 Tosa
 D606,891 S 12/2009 Gorle et al.
 7,805,849 B1 10/2010 Baker, Jr.
 D632,351 S 2/2011 Scott et al.
 D689,383 S * 9/2013 Nesheiwat et al. D10/65
 8,782,914 B1 * 7/2014 DeLuca 33/458
 2007/0266579 A1 * 11/2007 Briscoe et al. 33/503
 2007/0276296 A1 * 11/2007 Bright et al. 600/595
 2013/0035557 A1 2/2013 Leppert et al.

OTHER PUBLICATIONS

Official Action for U.S. Appl. No. 13/565,631, mailed May 21, 2013, 19 pages.

* cited by examiner

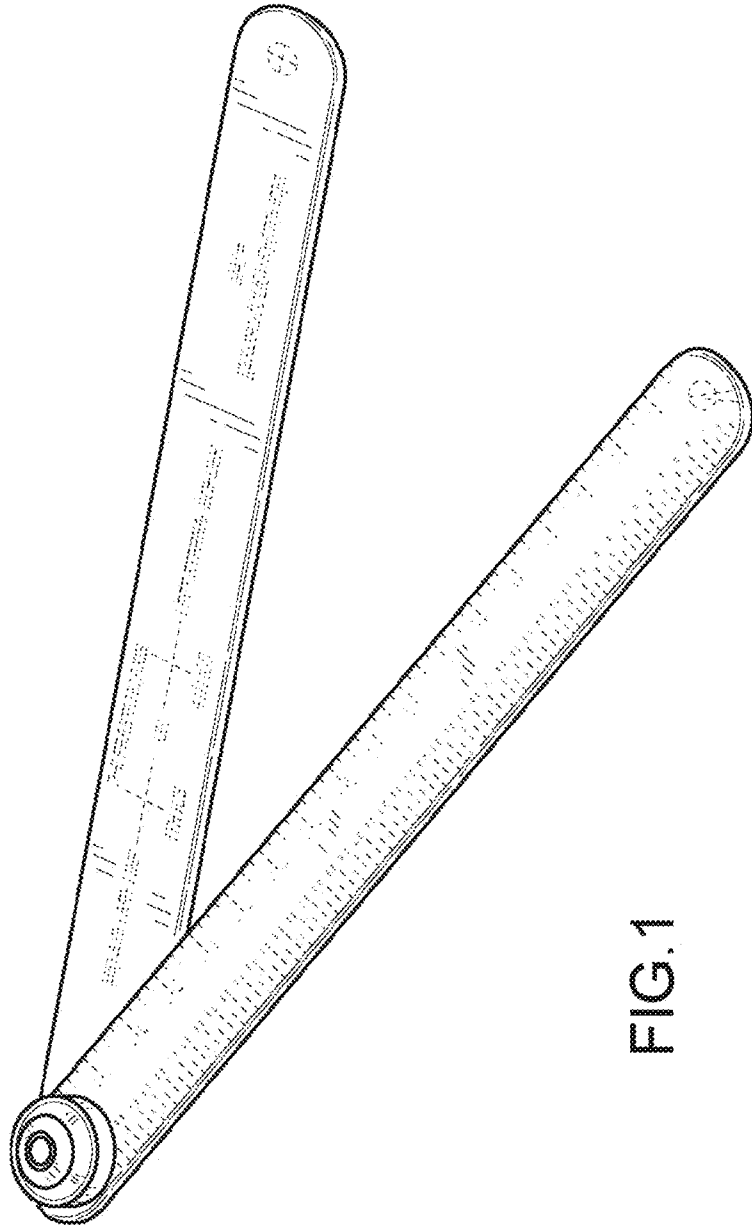


FIG.1

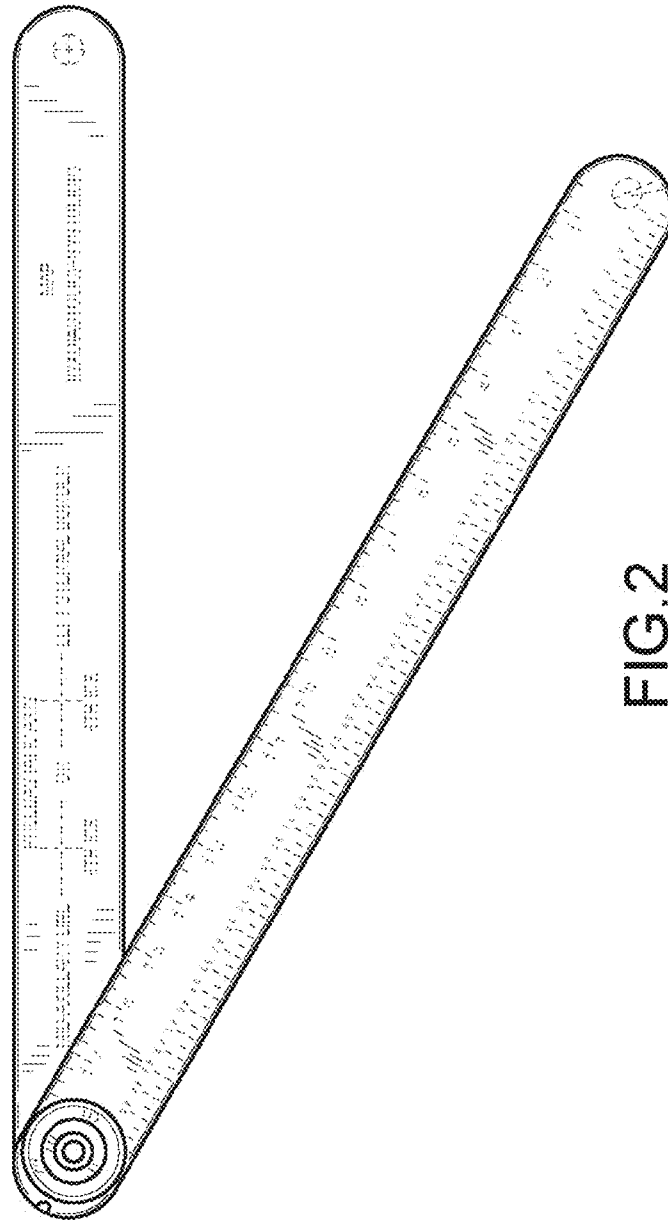


FIG. 2

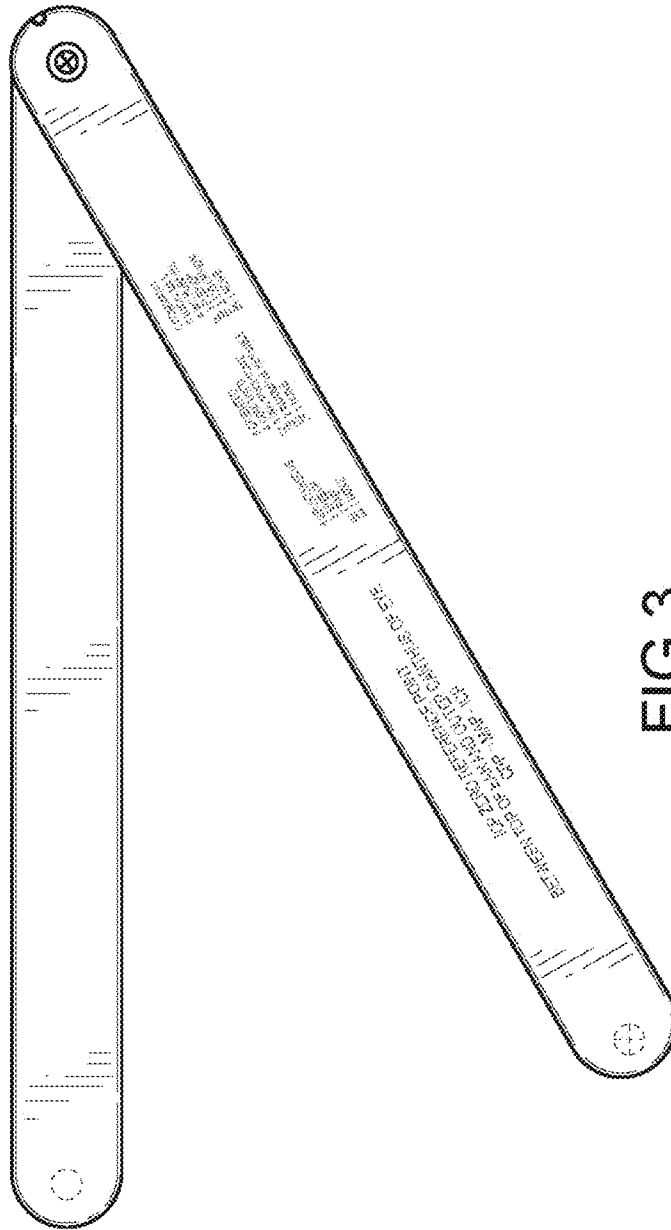


FIG. 3

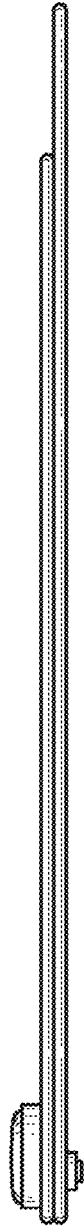


FIG.4

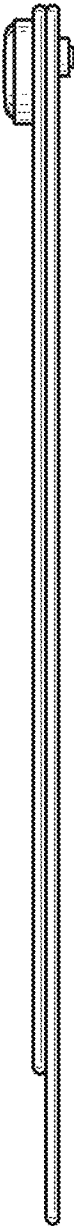


FIG.5

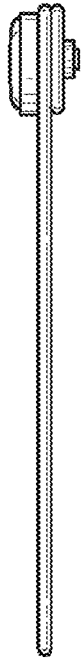


FIG. 6

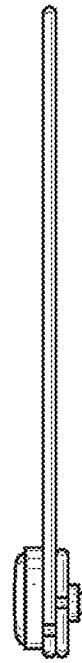


FIG. 7