



US00D656285S

(12) **United States Design Patent**  
**Massip et al.**

(10) **Patent No.:** **US D656,285 S**

(45) **Date of Patent:** **\*\* Mar. 20, 2012**

(54) **ELECTRIC STEAM IRON**

(75) Inventors: **Victor Massip**, Nantes (FR); **Laurent Lebot**, Nantes (FR)

(73) Assignee: **Rowenta Werke GmbH**, Offenbach am Main (DE)

(\*\*) Term: **14 Years**

(21) Appl. No.: **29/404,680**

(22) Filed: **Oct. 24, 2011**

(30) **Foreign Application Priority Data**

Apr. 26, 2011 (EM) ..... 001272736-0001

(51) **LOC (9) Cl.** ..... **07-05**

(52) **U.S. Cl.** ..... **D32/70**

(58) **Field of Classification Search** ..... D32/73,  
D32/72, 71, 70, 69, 68, 35; 392/404; 38/97,  
38/96, 93, 88, 77.9, 77.83, 77.82, 77.81,  
38/77.8, 77.7, 77.6, 77.5, 77.3, 77.1; 219/251,  
219/245

See application file for complete search history.

(56) **References Cited**

U.S. PATENT DOCUMENTS

D470,635 S	*	2/2003	Choi	.....	D32/70
D484,289 S	*	12/2003	Berthier	.....	D32/70
D488,275 S	*	4/2004	Gudefin	.....	D32/70
D511,033 S	*	10/2005	Berthier	.....	D32/70
D531,372 S	*	10/2006	Poon	.....	D32/70
D535,074 S	*	1/2007	Bas et al.	.....	D32/70
D538,990 S	*	3/2007	Poon	.....	D32/70
D544,165 S		6/2007	Massip et al.		
D546,518 S		7/2007	Massip et al.		
D550,915 S	*	9/2007	Poon	.....	D32/70
D555,315 S	*	11/2007	Poon	.....	D32/70
D558,946 S		1/2008	Massip et al.		
D565,820 S	*	4/2008	Poon	.....	D32/70
D568,020 S	*	4/2008	Poon	.....	D32/70

D610,764 S		2/2010	Massip et al.		
D610,765 S		2/2010	Massip et al.		
D620,663 S	*	7/2010	Zabala	.....	D32/70
D624,266 S		9/2010	Massip et al.		
D632,861 S		2/2011	Massip et al.		
D632,862 S		2/2011	Massip et al.		

(Continued)

FOREIGN PATENT DOCUMENTS

EM 000216767-0001 8/2004

(Continued)

OTHER PUBLICATIONS

U.S. Appl. No. 29/404,683, filed Oct. 24, 2011, Spatz et al. U.S. Appl. No. 29/394,564, filed Jun. 17, 2011, Koehler et al.

*Primary Examiner* — Austin Murphy

(74) *Attorney, Agent, or Firm* — Loeb & Loeb LLP

(57) **CLAIM**

The ornamental design for an electric steam iron, as shown and described.

**DESCRIPTION**

FIG. 1 is a perspective view of an embodiment of an electric steam iron.

FIG. 2 is a left side elevational view of the electric steam iron of FIG. 1.

FIG. 3 is a right side elevational view of the electric steam iron of FIG. 1.

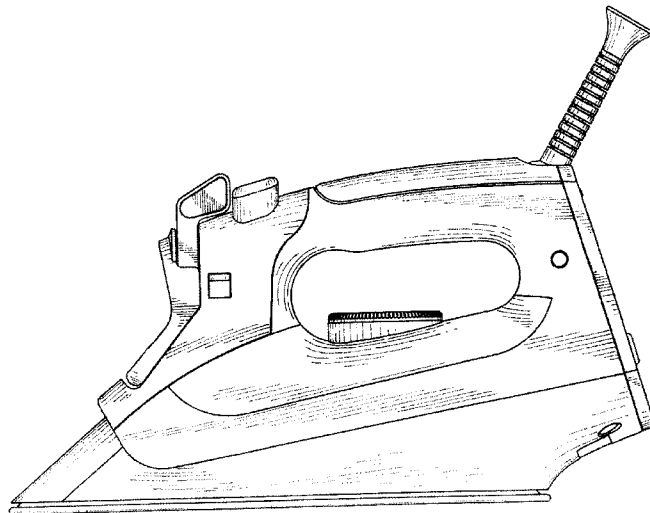
FIG. 4 is a front elevational view of the electric steam iron of FIG. 1.

FIG. 5 is a back elevational view of the electric steam iron of FIG. 1.

FIG. 6 is a top plan view of the electric steam iron of FIG. 1; and,

FIG. 7 is bottom plan view of the electric steam iron of FIG. 1.

**1 Claim, 7 Drawing Sheets**



# US D656,285 S

Page 2

---

## U.S. PATENT DOCUMENTS

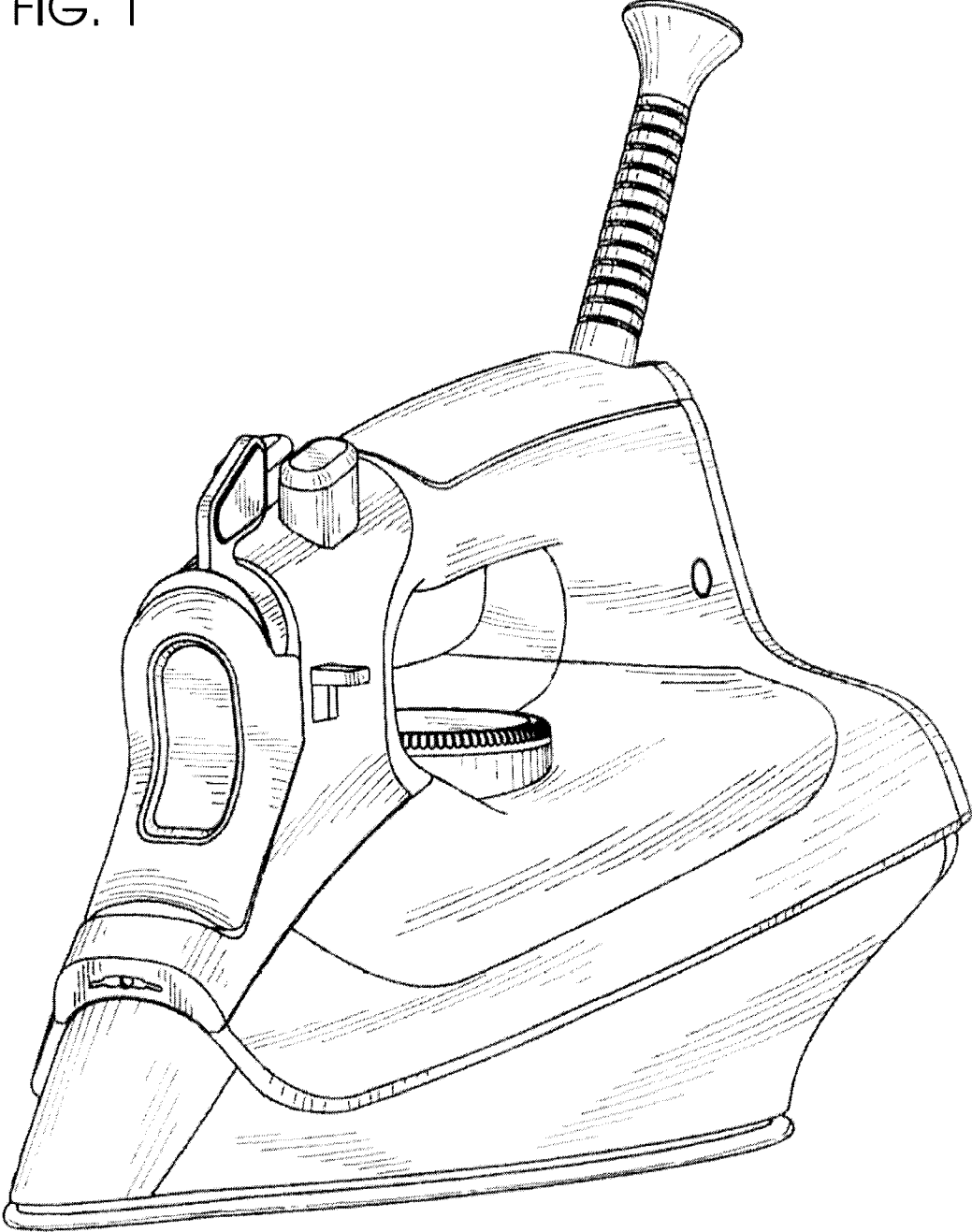
D632,863	S	2/2011	Massip et al.	
D634,090	S	3/2011	Massip et al.	
D634,499	S *	3/2011	Chinda .....	D32/70
D635,316	S	3/2011	Massip et al.	
D635,729	S	4/2011	Massip et al.	
D635,730	S *	4/2011	Choi et al. ....	D32/70
D645,629	S *	9/2011	Powell .....	D32/70
D646,862	S *	10/2011	Choi et al. ....	D32/70

## FOREIGN PATENT DOCUMENTS

EM	001050454-0001	12/2008
EM	001050462-0001	12/2008
EM	001140008-0001	5/2009
EM	001580424-0001	7/2009
EM	001618745-0001	10/2009

\* cited by examiner

FIG. 1



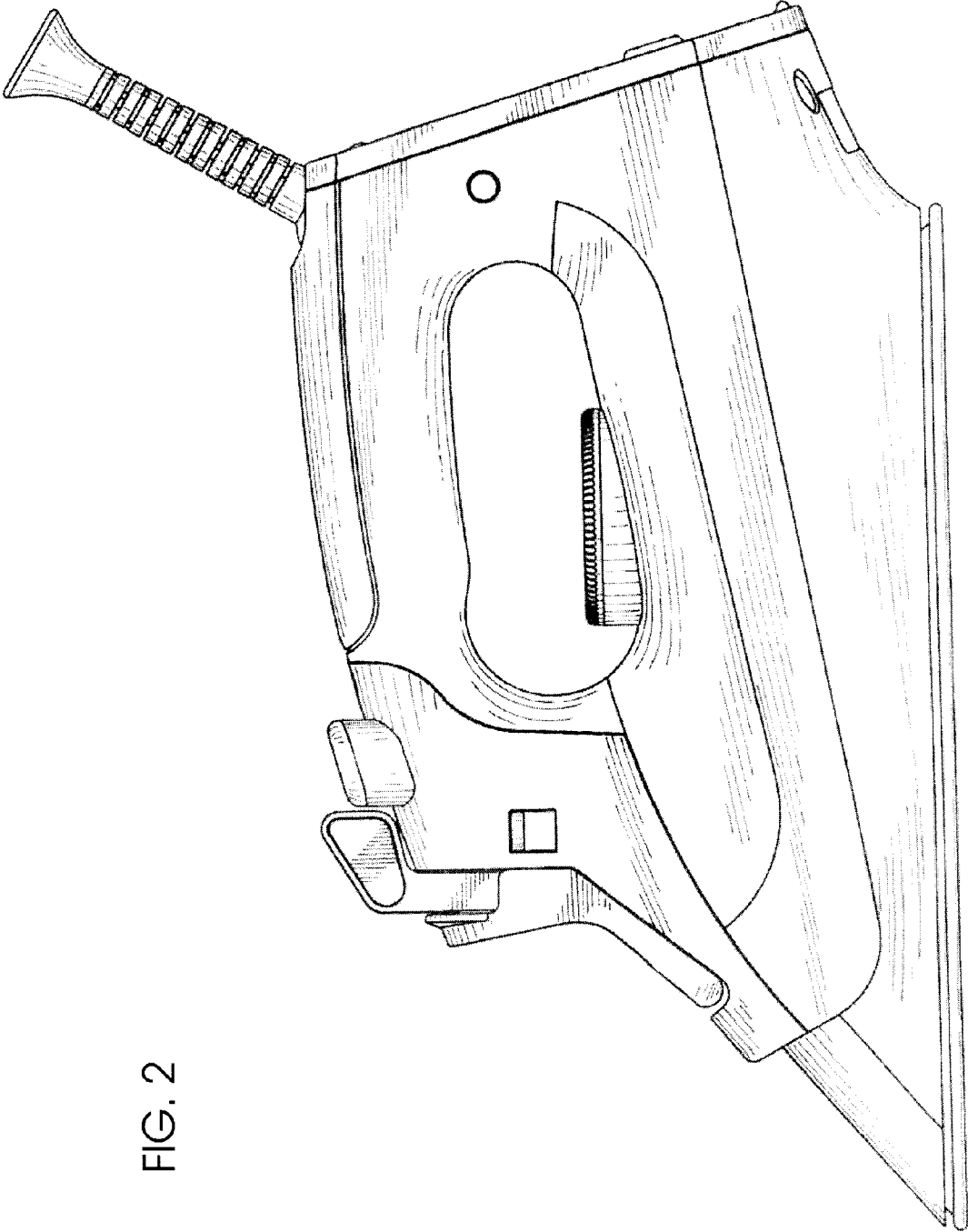


FIG. 2

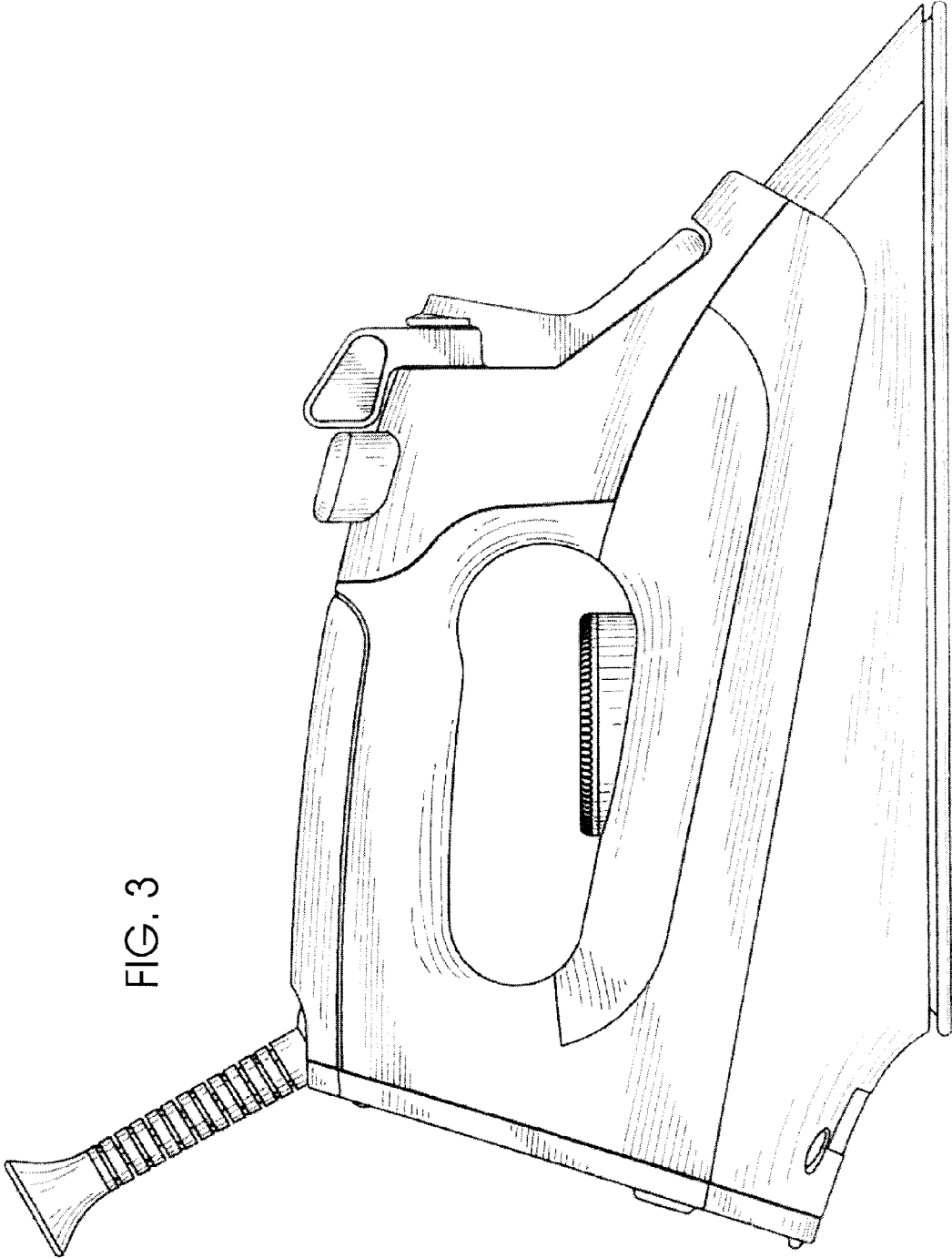


FIG. 3

FIG. 4

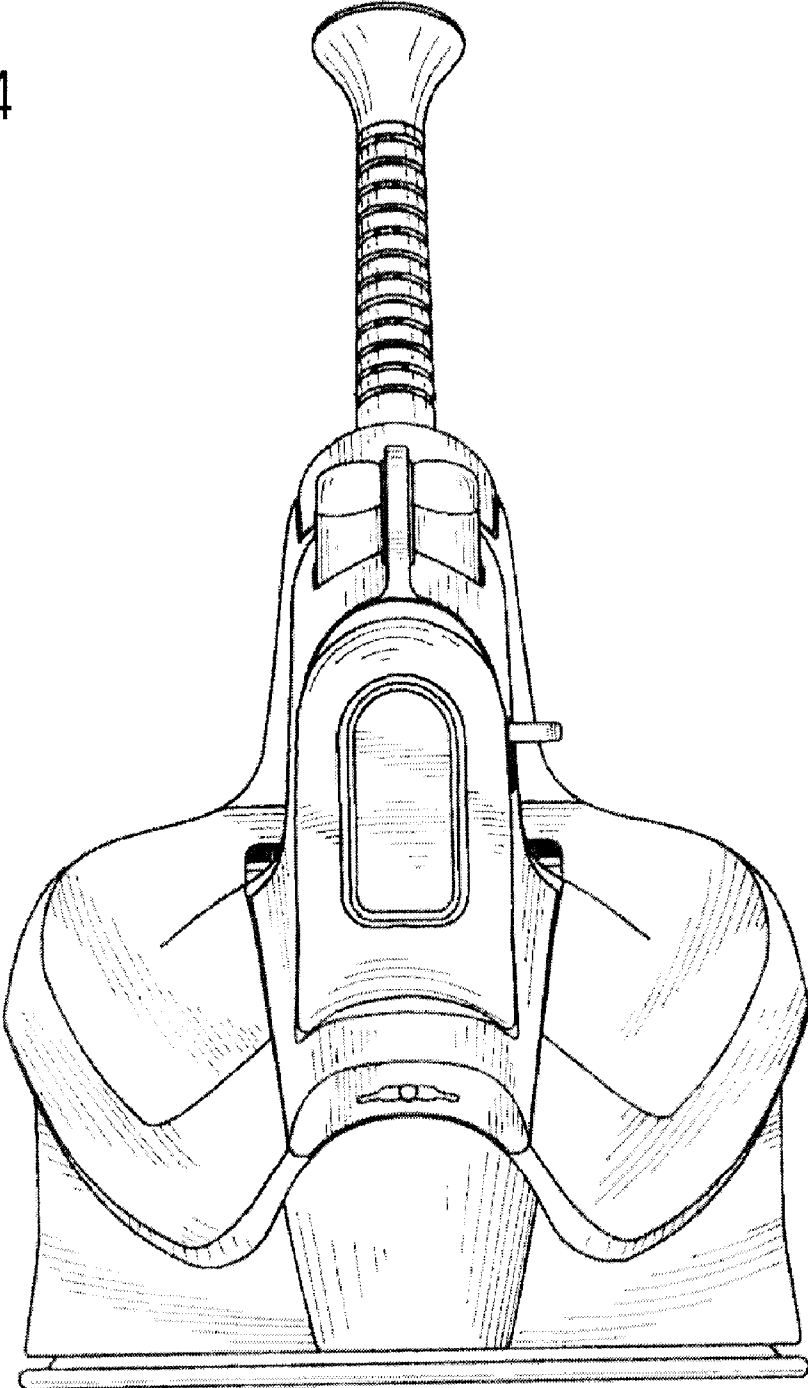
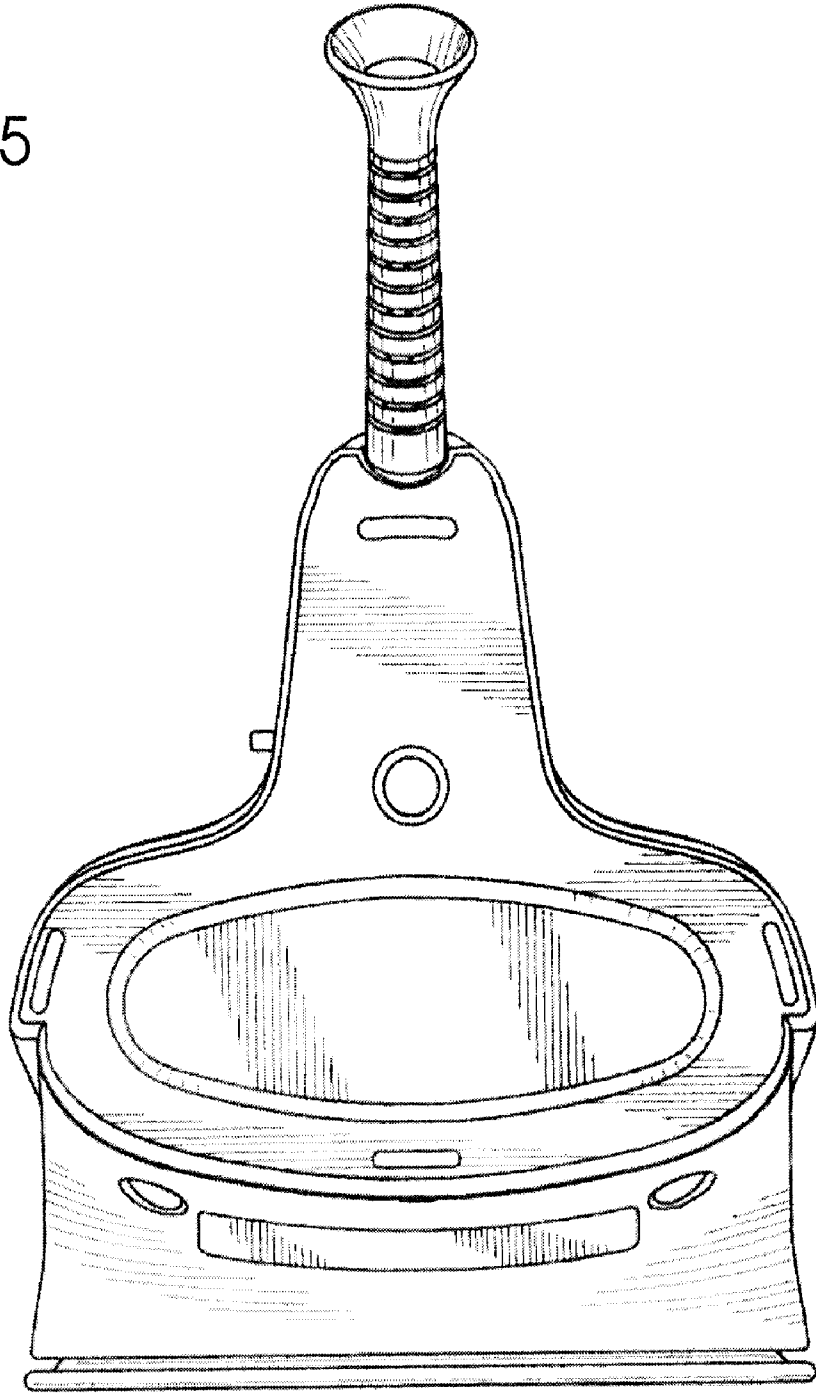


FIG. 5



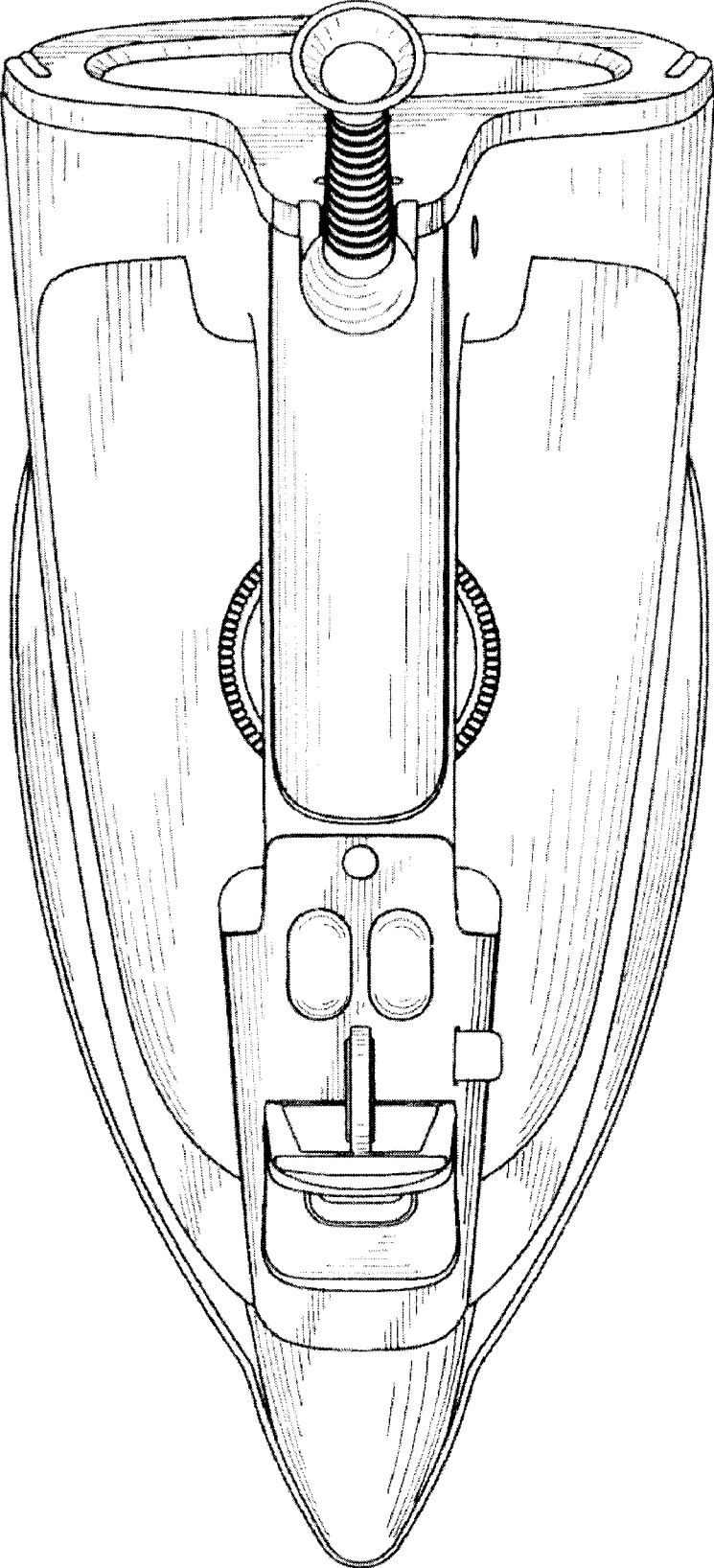


FIG. 6

FIG. 7

