

(19) World Intellectual Property
Organization
International Bureau



(43) International Publication Date
11 March 2004 (11.03.2004)

PCT

(10) International Publication Number
WO 2004/019756 A3

(51) International Patent Classification⁷: **A61M 29/00**

(21) International Application Number:
PCT/US2003/025842

(22) International Filing Date: 29 August 2003 (29.08.2003)

(25) Filing Language: English

(26) Publication Language: English

(30) Priority Data:
10/230,256 29 August 2002 (29.08.2002) US

(71) Applicant and

(72) Inventor: **SUDDABY, Loubert** [US/US]; 76 Tanglewood Drive, Orchard Park, NY 14127 (US).

(74) Agent: **FALLOW, Charles, W.**; Shoemaker and Mattare, 2001 Jefferson Davis Highway, Suite 1203, P.O. Box 2286, Arlington, VA 22202-0286 (US).

(81) Designated States (*national*): AE, AG, AL, AM, AT, AU, AZ, BA, BB, BG, BR, BY, BZ, CA, CH, CN, CO, CR, CU,

CZ, DE, DK, DM, DZ, EC, EE, ES, FI, GB, GD, GE, GH, GM, HR, HU, ID, IL, IN, IS, JP, KE, KG, KP, KR, KZ, LC, LK, LR, LS, LT, LU, LV, MA, MD, MG, MK, MN, MW, MX, MZ, NI, NO, NZ, OM, PG, PH, PL, PT, RO, RU, SC, SD, SE, SG, SK, SL, SY, TJ, TM, TN, TR, TT, TZ, UA, UG, UZ, VC, VN, YU, ZA, ZM, ZW.

(84) Designated States (*regional*): ARIPO patent (GH, GM, KE, LS, MW, MZ, SD, SL, SZ, TZ, UG, ZM, ZW), Eurasian patent (AM, AZ, BY, KG, KZ, MD, RU, TJ, TM), European patent (AT, BE, BG, CH, CY, CZ, DE, DK, EE, ES, FI, FR, GB, GR, HU, IE, IT, LU, MC, NL, PT, RO, SE, SI, SK, TR), OAPI patent (BF, BJ, CF, CG, CI, CM, GA, GN, GQ, GW, ML, MR, NE, SN, TD, TG).

Declarations under Rule 4.17:

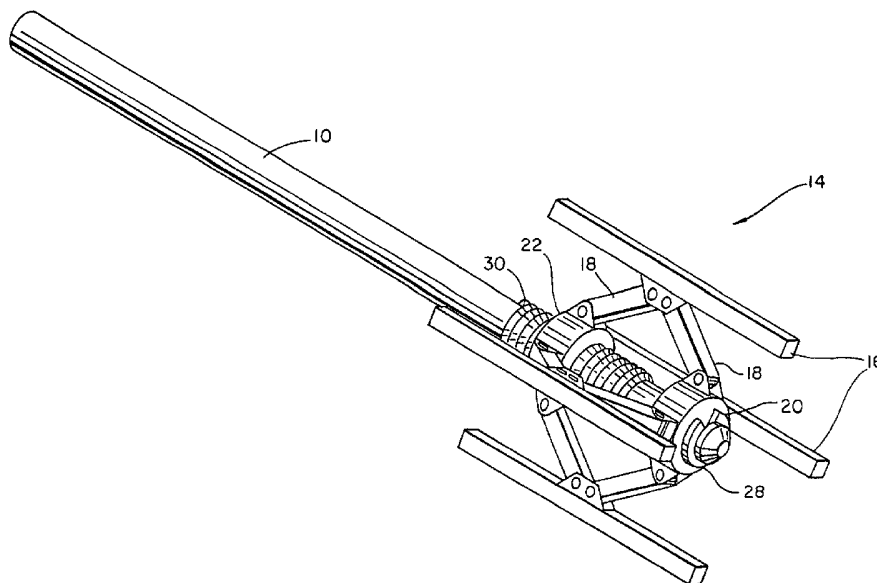
- as to applicant's entitlement to apply for and be granted a patent (Rule 4.17(ii)) for all designations
- as to the applicant's entitlement to claim the priority of the earlier application (Rule 4.17(iii)) for all designations

Published:

- with international search report
- before the expiration of the time limit for amending the claims and to be republished in the event of receipt of amendments

[Continued on next page]

(54) Title: MECHANICAL BONE TAMPING DEVICE FOR REPAIR OF OSTEOPOROTIC BONE FRACTURES



(57) Abstract: A mechanical bone tamping device (14) for osteoporotic repair include a pair of arms (16) mounted on a spreading mechanism such as a screw jack. The mechanism is introduced into a small hole in a vertebra through a cannula (38), and is then operated to spread the arms apart, forming a cavity which may be filled with cement to fortify the vertebra.



WO 2004/019756 A3



(88) Date of publication of the international search report:

4 November 2004

For two-letter codes and other abbreviations, refer to the "Guidance Notes on Codes and Abbreviations" appearing at the beginning of each regular issue of the PCT Gazette.

INTERNATIONAL SEARCH REPORT

International application No.
PCT/US03/25842

A. CLASSIFICATION OF SUBJECT MATTER		
IPC(7) : A 61 M 29/00 US CL : 606/191		
According to International Patent Classification (IPC) or to both national classification and IPC		
B. FIELDS SEARCHED		
Minimum documentation searched (classification system followed by classification symbols) U.S. : 606/191,198,199,61,92,93,207,208,200,113,105; 600/206,214,224,225		
Documentation searched other than minimum documentation to the extent that such documents are included in the fields searched		
Electronic data base consulted during the international search (name of data base and, where practicable, search terms used) EAST		
C. DOCUMENTS CONSIDERED TO BE RELEVANT		
Category *	Citation of document, with indication, where appropriate, of the relevant passages	Relevant to claim No.
X	US 5,059,193 A (KUSLICH) 22 October 1991 (22.10.1991), see Figs. 19-21	1 and 4
X	US 5,113,846 A (HILTEBRANDT et al.) 19 May 1992 (19.05.1992), see entire document	1
X	US 1,331,737 A (YLISTO) 24 February 1920 (24.02.1920), see entire document	1
<input type="checkbox"/> Further documents are listed in the continuation of Box C. <input type="checkbox"/> See patent family annex.		
* Special categories of cited documents:		
"A"	document defining the general state of the art which is not considered to be of particular relevance	"T" later document published after the international filing date or priority date and not in conflict with the application but cited to understand the principle or theory underlying the invention
"E"	earlier application or patent published on or after the international filing date	"X" document of particular relevance; the claimed invention cannot be considered novel or cannot be considered to involve an inventive step when the document is taken alone
"L"	document which may throw doubts on priority claim(s) or which is cited to establish the publication date of another citation or other special reason (as specified)	"Y" document of particular relevance; the claimed invention cannot be considered to involve an inventive step when the document is combined with one or more other such documents, such combination being obvious to a person skilled in the art
"O"	document referring to an oral disclosure, use, exhibition or other means	"&" document member of the same patent family
"P"	document published prior to the international filing date but later than the priority date claimed	
Date of the actual completion of the international search	Date of mailing of the international search report	
23 December 2003 (23.12.2003)	16 SEP 2004	
Name and mailing address of the ISA/US	Authorized officer	
Mail Stop PCT, Attn: ISA/US Commissioner for Patents P.O. Box 1450 Alexandria, Virginia 22313-1450	D. Jacob Davis	
Facsimile No. (703)305-3230	Telephone No. (703) 305-1232	