

(19) World Intellectual Property Organization
International Bureau



(43) International Publication Date
4 March 2010 (04.03.2010)

PCT

(10) International Publication Number
WO 2010/023331 A3

(51) International Patent Classification:
H04R 25/00 (2006.01)

(21) International Application Number:
PCT/EP2009/067688

(22) International Filing Date:
21 December 2009 (21.12.2009)

(25) Filing Language: English

(26) Publication Language: English

(71) Applicant (for all designated States except US):
PHONAK AG [CH/CH]; Laubisrütistrasse 28, CH-8712
Stäfa (CH).

(72) Inventors; and

(75) Inventors/Applicants (for US only): **KARAMUK, Erdal**
[CH/CH]; Weiermatt 4, Männedorf, 8708 (CH). **DE
PABLO PENA, Albora** [CH/CH]; Avenue d'Yverdon 2,
CH-1004 Lausanne (CH). **MEIER, Hans Georg**
[CH/CH]; Heidenmösliweg 13, CH-8713 Uerikon (CH).

(74) Agent: **TROESCH SCHEIDEGGER WERNER AG**;
Ernst Imiger, Schwäntenmos 14, CH-8126 Zumikon
(CH).

(81) Designated States (unless otherwise indicated, for every
kind of national protection available): AE, AG, AL, AM,
AO, AT, AU, AZ, BA, BB, BG, BH, BR, BW, BY, BZ,
CA, CH, CL, CN, CO, CR, CU, CZ, DE, DK, DM, DO,
DZ, EC, EE, EG, ES, FI, GB, GD, GE, GH, GM, GT,
HN, HR, HU, ID, IL, IN, IS, JP, KE, KG, KM, KN, KP,

KR, KZ, LA, LC, LK, LR, LS, LT, LU, LY, MA, MD,
ME, MG, MK, MN, MW, MX, MY, MZ, NA, NG, NI,
NO, NZ, OM, PE, PG, PH, PL, PT, RO, RS, RU, SC, SD,
SE, SG, SK, SL, SM, ST, SV, SY, TJ, TM, TN, TR, TT,
TZ, UA, UG, US, UZ, VC, VN, ZA, ZM, ZW.

(84) Designated States (unless otherwise indicated, for every
kind of regional protection available): ARIPO (BW, GH,
GM, KE, LS, MW, MZ, NA, SD, SL, SZ, TZ, UG, ZM,
ZW), Eurasian (AM, AZ, BY, KG, KZ, MD, RU, TJ,
TM), European (AT, BE, BG, CH, CY, CZ, DE, DK, EE,
ES, FI, FR, GB, GR, HR, HU, IE, IS, IT, LT, LU, LV,
MC, MK, MT, NL, NO, PL, PT, RO, SE, SI, SK, SM,
TR), OAPI (BF, BJ, CF, CG, CI, CM, GA, GN, GQ, GW,
ML, MR, NE, SN, TD, TG).

Declarations under Rule 4.17:

— of inventorship (Rule 4.17(iv))

Published:

— with international search report (Art. 21(3))

— before the expiration of the time limit for amending the
claims and to be republished in the event of receipt of
amendments (Rule 48.2(h))

— upon request of the applicant, before the expiration of the
time limit referred to in Article 21(2)(a)

(88) Date of publication of the international search report:
18 November 2010

(54) Title: TUBE FOR SOUND TRANSMISSION

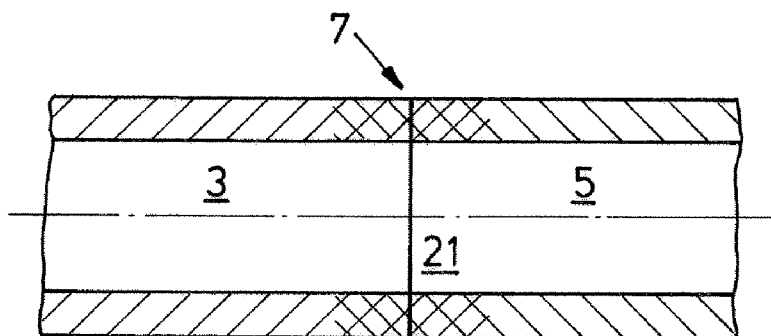


FIG. 3

(57) Abstract: A device for the acoustic connection of a hearing device to a ear mould or for the acoustic coupling of a hearing device respectively comprises a tube (1) with at least two segments (3, 5). The at least two segments do have different mechanical properties and/or are designed such that they are formed within at least almost one plane.

WO 2010/023331 A3

INTERNATIONAL SEARCH REPORT

International application No
PCT/EP2009/067688

A. CLASSIFICATION OF SUBJECT MATTER INV. H04R25/00 ADD.		
According to International Patent Classification (IPC) or to both national classification and IPC		
B. FIELDS SEARCHED		
Minimum documentation searched (classification system followed by classification symbols) H04R		
Documentation searched other than minimum documentation to the extent that such documents are included in the fields searched		
Electronic data base consulted during the international search (name of data base and, where practical, search terms used) EPO-Internal		
C. DOCUMENTS CONSIDERED TO BE RELEVANT		
Category*	Citation of document, with indication, where appropriate, of the relevant passages	Relevant to claim No.
X	EP 1 755 361 A1 (BERNAFON AG [CH]) 21 February 2007 (2007-02-21) paragraphs [0025] - [0031]; claims 1-15; figures 1-3 -----	1-20
X	US 2005/190939 A1 (FRETZ ROBERT J [US]) 1 September 2005 (2005-09-01) paragraph [0060] -----	7
A		1-6,8-20
X	EP 1 626 610 A1 (SIEMENS AUDIOLOGISCHE TECHNIK [DE]) 15 February 2006 (2006-02-15) the whole document -----	1
X	WO 90/03089 A1 (EPIC CORP [US]) 22 March 1990 (1990-03-22) the whole document -----	1-3
<input type="checkbox"/> Further documents are listed in the continuation of Box C. <input checked="" type="checkbox"/> See patent family annex.		
* Special categories of cited documents : "A" document defining the general state of the art which is not considered to be of particular relevance "E" earlier document but published on or after the international filing date "L" document which may throw doubts on priority claim(s) or which is cited to establish the publication date of another citation or other special reason (as specified) "O" document referring to an oral disclosure, use, exhibition or other means "P" document published prior to the international filing date but later than the priority date claimed "T" later document published after the international filing date or priority date and not in conflict with the application but cited to understand the principle or theory underlying the invention "X" document of particular relevance; the claimed invention cannot be considered novel or cannot be considered to involve an inventive step when the document is taken alone "Y" document of particular relevance; the claimed invention cannot be considered to involve an inventive step when the document is combined with one or more other such documents, such combination being obvious to a person skilled in the art. "&" document member of the same patent family		
Date of the actual completion of the international search 29 September 2010		Date of mailing of the international search report 05/10/2010
Name and mailing address of the ISA/ European Patent Office, P.B. 5818 Patentlaan 2 NL - 2280 HV Rijswijk Tel. (+31-70) 340-2040, Fax: (+31-70) 340-3016		Authorized officer Timms, Olegs

INTERNATIONAL SEARCH REPORT

Information on patent family members

International application No PCT/EP2009/067688

Patent document cited in search report	Publication date	Patent family member(s)	Publication date
EP 1755361	A1	21-02-2007	NONE
US 2005190939	A1	01-09-2005	US 2003002700 A1 02-01-2003
EP 1626610	A1	15-02-2006	AT 381874 T 15-01-2008 DK 1626610 T3 05-05-2008 ES 2297624 T3 01-05-2008 US 2006023909 A1 02-02-2006
WO 9003089	A1	22-03-1990	AT 107828 T 15-07-1994 AU 625209 B2 02-07-1992 AU 4417789 A 02-04-1990 DE 68916437 D1 28-07-1994 DE 68916437 T2 06-02-1997 EP 0435954 A1 10-07-1991 JP 4505236 T 10-09-1992 US 5031219 A 09-07-1991