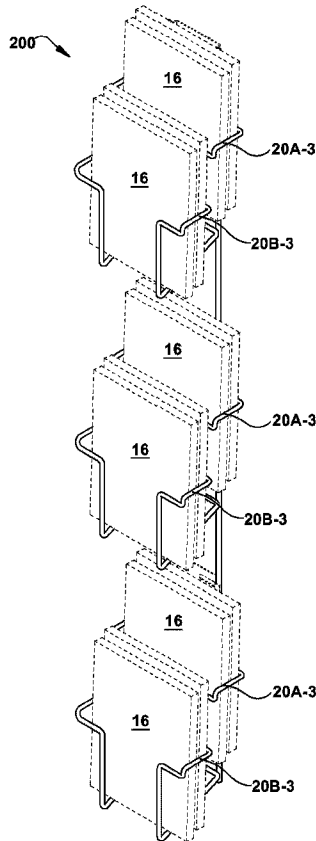




(22) Date de dépôt/Filing Date: 2020/08/14
 (41) Mise à la disp. pub./Open to Public Insp.: 2021/02/16
 (45) Date de délivrance/Issue Date: 2023/11/14
 (62) Demande originale/Original Application: 3 090 093
 (30) Priorités/Priorities: 2019/08/16 (US62/887,839);
 2020/08/14 (US16/993,655)

(51) Cl.Int./Int.Cl. *A47F 7/14* (2006.01),
A47F 5/01 (2006.01)
 (72) Inventeur/Inventor:
 SANTARELLI, ANTHONY, US
 (73) Propriétaire/Owner:
 AMERICAN GREETINGS CORPORATION, US
 (74) Agent: SMART & BIGGAR LP

(54) Titre : PRESENTOIR DE CARTES-CADEAUX AVEC EMBALLAGE COMPRIS DANS LE PAIEMENT
 (54) Title: CASH WRAP GREETING CARD DISPLAY



(57) Abrégé/Abstract:

The present invention provides a flexible greeting card display assembly. The display includes a plurality of adjacent card pockets and flexible attachment plate which allows the display to be attached to various surfaces within a retail environment.

ABSTRACT

The present invention provides a flexible greeting card display assembly. The display includes a plurality of adjacent card pockets and flexible attachment plate which allows the display to be attached to various surfaces within a retail environment.

TITLE OF THE INVENTION
CASH WRAP GREETING CARD DISPLAY

FIELD OF THE INVENTION

15 The present invention is in the field of retail fixtures. More specifically, the present invention is directed to a greeting card display which can be attached to a variety of backing materials and placed at various locations in a retail environment.

SUMMARY OF THE INVENTION

20 The present invention provides a flexible greeting card display assembly. The display includes a plurality of card pockets and flexible attachment plate which allows the display to be attached to various surfaces within a retail environment.

DESCRIPTION OF THE DRAWINGS

25 **FIG. 1** is a perspective view of a first embodiment of the greeting card display assembly of the present invention, with greeting cards contained therein.
FIG. 2 is a perspective view of the greeting card display assembly of FIG. 1, without greeting cards.
30 **FIG. 3** is a right side view of the greeting card display assembly of FIG. 2.
FIG. 4 is a front view of the greeting card display assembly of FIG. 2.
FIG. 5 is a rear view of the greeting card display assembly of FIG. 2.
FIG. 6 is a top down view of the greeting card display assembly of FIG. 2.
FIG. 7 is a bottom up view of the greeting card display assembly of FIG. 2.

5 **FIG. 8** is a perspective view of a second embodiment of the greeting card display assembly of the present invention, with greeting cards contained therein.

FIG. 9 is a perspective view of the greeting card display assembly of FIG. 8, without greeting cards.

FIG. 10 is a front view of the greeting card display assembly of FIG. 9.

10 **FIG. 11** is a rear view of the greeting card display assembly of FIG. 9.

FIG. 12 is a right side view of the greeting card display assembly of FIG. 9.

FIG. 13 is a top down view of the greeting card display assembly of FIG. 9.

FIG. 14 is a bottom up view of the greeting card display assembly of FIG. 9.

15 **DETAILED DESCRIPTION OF PREFERRED AND ALTERNATE EMBODIMENTS**

The present disclosure and related inventions describe a greeting card display assembly **100**. This greeting card display assembly **100** is flexible in that it can attach to various backing materials and it can be placed at various locations within a retail environment, such as, for example, at the cash wrap where many impulse purchases are made.

20 In one embodiment, the greeting card display assembly **100** of the present disclosure and related inventions is a steel wire-formed construction providing a single row of greeting card pockets **10**. A plurality of wire-formed pockets **10** are arranged in a horizontal manner and attached to a substantially rectangular wire frame **12** and a horizontal wire support or spine **14** which runs the length of the horizontally arranged card pockets **10**. The horizontal wire support or spine **14** includes 2 parallel, spaced apart horizontal wires **14A**, **14B** which run the length of
25 the plurality of wire-formed pockets **10**.

In a first embodiment, as shown in **FIGURES 1 through 7**, the greeting card display assembly **100** is a horizontally arranged wire formed pockets **10** include an inverted u-shaped back portion **10A** which serves as the back of the greeting card pocket **10**, two parallel center wires **10B** which extend perpendicular to and outward from the back portion **10A** and serve as
30 the bottom or floor of the greeting card pocket **20**, and an inverted u-shaped front portion **10C** which is perpendicular to and extends upward from the two parallel center wires **10B** and parallel to the back portion **10A**, that serves as the front of the greeting card pocket **10**. The inverted u-shaped front portion **10C** is shorter than the inverted u-shaped back portion **10A** so

5 that the front face of the greeting cards **16** placed into the pockets **10** are visible. The open design of the wire-formed greeting card display **100** maximizes product visibility.

The substantially rectangular wire frame **12** contains two horizontally positioned long **12A**, **12B** sides which are parallel to each other, and two vertically arranged short sides **12C**, **12D** which are parallel to each other and perpendicular to and extend between the two
10 horizontally positioned long sides **12A**, **12B**. One of the two horizontally positioned long sides **12B** is attached to a front surface of the front portion of the plurality of greeting card pockets **10**. The other of the two horizontally positioned long sides **12A** is attached to a rear surface of the back portion of the plurality of greeting card pockets **10**. The two short sides **12C**, **12D** of the substantially rectangular wire frame **12** serve as the two opposing sides of the greeting card
15 display assembly **100**.

A plurality of divider wires **18** are located between each pair of adjacent greeting card pockets **10**. The plurality of divider wires **18** are attached at one end to one of the horizontally positioned long sides **12A** of the wire frame **12** and at an opposite end to the other of the horizontally positioned long sides **12B** of the wire frame **12**. The divider wires **18** serve to
20 separate the card pockets **10**.

In one embodiment, as shown in **FIGURES 1 through 7**, the greeting card display assembly **100** is approximately 36-inches wide, having 6 individual fixed-width pockets **10** and 5 divider wires **18**. The back portion **10A** of each greeting card pocket **10** is approximately 5-inches tall, with the front portion **10C** being approximately 3.5-inches tall. As mentioned above,
25 the front portion **10C** is smaller than the back portion **10C** so that the consumer can see more of the front face of the greeting cards **16** placed into the pocket **10**. The length of the two parallel center wires **10B**, which serve as the bottom or floor of each greeting card pocket **10**, is approximately 1.5-inches wide. The bottom or floor **10B** of each greeting card pocket **10** is positioned in a forward slanted or sloping configuration, creating an angle between the bottom or
30 floor **10C** and the back portion **10A** of each greeting card pocket **10** of approximately 115.6-degrees. The angle allows the greeting cards **16** placed into the pockets **10** to lie in a slightly backward tilted position which helps retain the cards **16** within the pocket **10**. While specific pocket **10** and divider **18** numbers and measurements have been given to describe the embodiment of the greeting card display assembly **100** shown in the figures, the greeting card

5 display assembly **100** can be manufactured with less than 6 or greater than 6 pockets and the greeting card pockets **10** may be smaller or larger, depending on retail need.

A plurality of attachment plates **19** are attached to the greeting card display assembly **100** for attaching the greeting card display **100** to other surfaces. Each attachment plate **19** contains a single pre-drilled hole and a slot. An attachment plate **19** is placed between every other adjacent
10 greeting card pocket **10**. For example, if the greeting card display **100** contains 6 pockets, then an attachment plate **19** is placed (front left to right) between the first and second pockets, third and fourth pockets, and fifth and sixth pockets, as shown in **FIG. 2**. Each attachment plate **19** contains a small channel at each vertical edge that allows the attachment plate to be inserted over a portion of the wire formed greeting card pockets **10** and snap-fit into place.

15 As mentioned above, each attachment plate **19** contains one pre-drilled hole and one horizontal slot. These openings can accommodate various attachment mechanisms for attaching the display **100** to an existing surface. The greeting card display assembly **100** also includes various attachment mechanisms, including, but not limited to: hanger bracket; wing nut and lock washer; tree clip; wood screw; wall anchor; and zip ties. These attachment mechanisms allow
20 the display **100** to be attached to various surfaces. For example, the hanger bracket, wing nut and washer can be used to hang the display **100** from end panels or a wall mount. Tree clips can be used to mount the display **100** to a pegboard panel. Wood screws and wall anchors can be used to mount the display **100** to solid panels. And the zip ties can be used to attach the display **100** to a wire grid. Of course, these attachment mechanisms and mounting surfaces are noted
25 here for the purpose of example only. These attachment mechanisms can be used with other mounting surfaces. Also, other attachment mechanisms can be included.

In a second embodiment, shown in **FIGURES 8 through 14**, the greeting card display **200** of the present disclosure and related inventions, is a steel wire-formed construction creating a vertical row of greeting card pockets **20**. A vertical wire support or spine **22**, which runs the
30 length of the vertically arranged card pockets **20**, includes 2 parallel, spaced apart vertical wires **22A, 22B**. A plurality of wire formed pockets **20** are attached to the support or spine **22**. As shown in **FIGS. 8 through 12**, one example includes three sets of two tiered greeting card pockets **20** for a total of 6 pockets **20**. Each pair of tiered greeting card pockets **20** contains a first or upper pocket **20A**, made of a single wire, which includes an inverted u-shaped base **20A-1**
35 **1** which extends upward at each end to form two vertically arranged wires **20A-2** which serve as

5 the front of the greeting card pocket **20**. The two vertically arranged wires are perpendicular to the base **20A-1** at one end, and at the other end extend outward in opposing directions to form a backwards c-shaped mouth **20A-3** which provides a backing for the greeting cards **16** placed therein and also forms two sides to contain greeting cards **16** placed therein. A second or lower pocket **20B** is shaped similarly to the first or upper pocket **20A**, however, the second or lower
10 pocket **20B** contains a longer base **20B-1**. The base portion **20A-1, 20B-1** of both the first and second card pockets **20A, 20B** is attached to the wire support or spine **22**. Both base portions **20A-1, 20B-1** are positioned in a forward sloped arrangement, with the second or lower pocket **20B** forming a steeper slope than the first or upper card pocket **20A**. The backwards c-shaped mouth **20B-3** of the second or lower card pocket **20B** is attached to the front of the first or upper
15 card pocket **20A** as shown in the **FIG. 9**. Each pair of tiered greeting card pockets **20** are spaced apart along the wire support or spine **22**, with a first set of 2 pockets **20** in an upper region of the display **200**, a second set of 2 pockets **20** in a middle region of the display **200** and a third set of 2 pockets **20** in a lower region of the display **200**. In the embodiment shown in **FIGS. 8 through 14**, the length of the vertical greeting card display **200** is approximately 39.875 inches
20 with a width of approximately 6 inches. Each pocket **20** has a depth of 1.5 inches. The tiered pockets **20** are spaced apart such that a substantial portion of the greeting cards **16** placed into the first or upper pocket **20A** can be seen above the greeting cards **16** placed into the second or lower pocket **20B**. Two attachment plates **24** are attached between the two wires **22A, 22B** of the wire support or spine **22**. One attachment plate **24** is located at the very top of the vertical
25 display **200** and a second attachment plate **24** is located between the second and third pairs of tiered card pockets. Each attachment plate **24** contains one pre-drilled hole and one horizontal slot for accommodating various attachment mechanisms, as discussed above with respect to the first embodiment **100**, as described above.

The greeting card display assembly **100, 200** of the present disclosure and related
30 inventions provides a flexible fixture from which to display greeting cards **16** in various locations within a retail environment. The flexible attachment plates **19, 24** and various attachment mechanisms allow for the attachment of the display **100, 200** to a variety of surfaces. The rugged construction of the steel wire can provide years of service as it is durable and strong, however, it is also lightweight so that it can easily be installed and moved to other locations, as
35 required. The relatively small footprint also makes it ideal for space-conscious store layouts.

5 For example, the greeting card display **100, 200** may be attached to or around the cash wrap or register where many last minute or impulse buys are made.

While the greeting card display assembly of the present disclosure and related inventions is described herein with respect to the embodiments shown in the figures, other similar arrangements are considered to be within the scope of this invention. For example, in the
10 embodiments shown in the figures, the greeting card display assembly contains six greeting card pockets, however, less than six and greater than six pockets is considered to fall within the scope of this invention. The greeting card display assembly has also been described as being wire formed, however, other materials have been contemplated and are also considered to fall within the scope of this invention.

15 The foregoing embodiments of the present invention have been presented for the purposes of illustration and description. These descriptions and embodiments are not intended to be exhaustive or to limit the invention to the precise form disclosed, and obviously many modifications and variations are possible in light of the above disclosure. The embodiments were chosen and described in order to best explain the principle of the invention and its practical
20 applications to thereby enable others skilled in the art to best utilize the invention in its various embodiments and with various modifications as are suited to the particular use contemplated.

CLAIMS

1. A greeting card display comprising:
 - a wire frame;
 - a wire support or spine;
 - a plurality of greeting card pockets attached to both the wire frame and wire support or spine;
 - one or more attachment plate attached to two of the plurality of greeting card pockets;
 - a plurality of divider wires located between each pair of adjacent greeting card pockets;
 - wherein the one or more attachment plates accommodate attachment mechanisms selected from the list of: hanger brackets, tree clips, wood screws, wall anchors, wing nuts and lock washer and zip ties.
2. The greeting card display of claim 1, wherein the plurality of greeting card pockets are arranged in a horizontal manner.
3. The greeting card display of claim 1, wherein the wire frame contains two horizontally positioned long sides which are parallel to each other, and two vertically arranged short sides which are parallel to each other and perpendicular to and extend between the two horizontally positioned long sides.
4. The greeting card display of claim 1, wherein the plurality of greeting card pockets comprise an inverted u-shaped back portion, two parallel center wires which extend perpendicular to and outward from the back portion, and an inverted u-shaped front portion which is perpendicular to and extends upward from the two parallel center wires and parallel to the back portion.
5. The greeting card display of claim 4, wherein the back portion of the plurality of greeting card pockets is larger than the front portion.

6. The greeting card display of claim 1, wherein each of the plurality of greeting card pockets comprise an inverted u-shaped base which extends upward at each end to form two vertically arranged wires which are perpendicular to the base at one end, and at the other end extend outward in opposing directions to form a backwards c-shaped mouth.

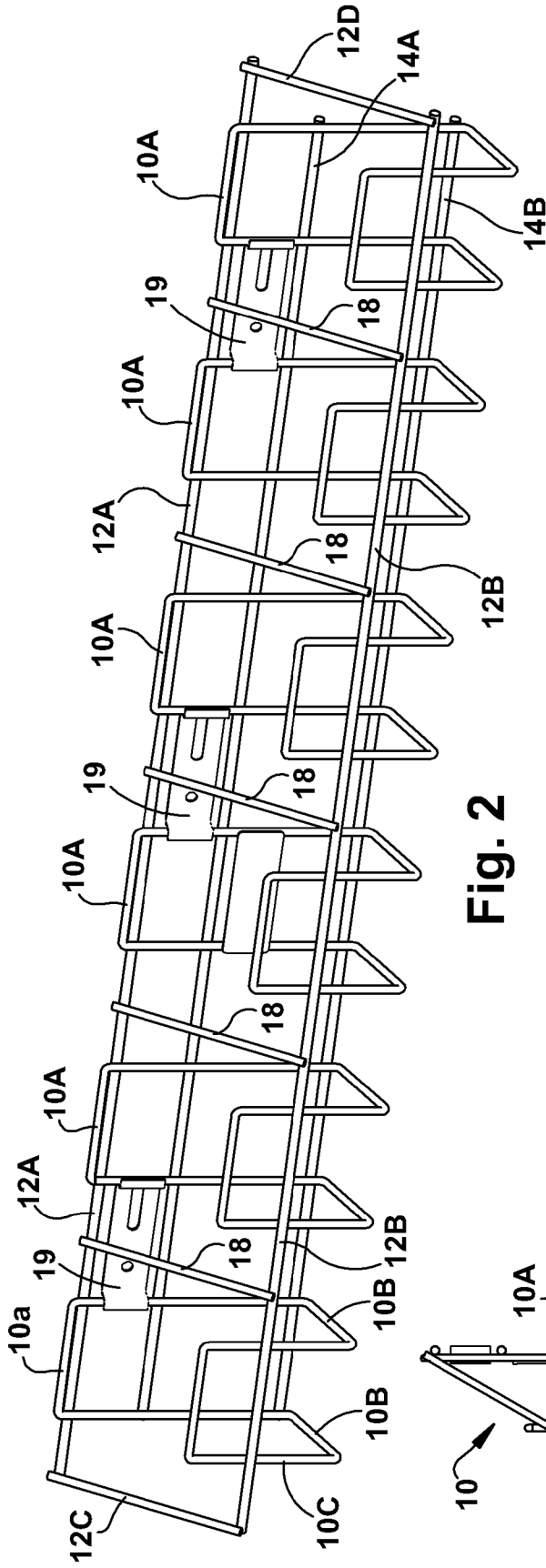


Fig. 2

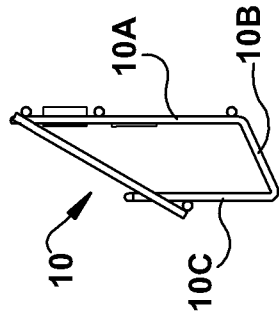


Fig. 3

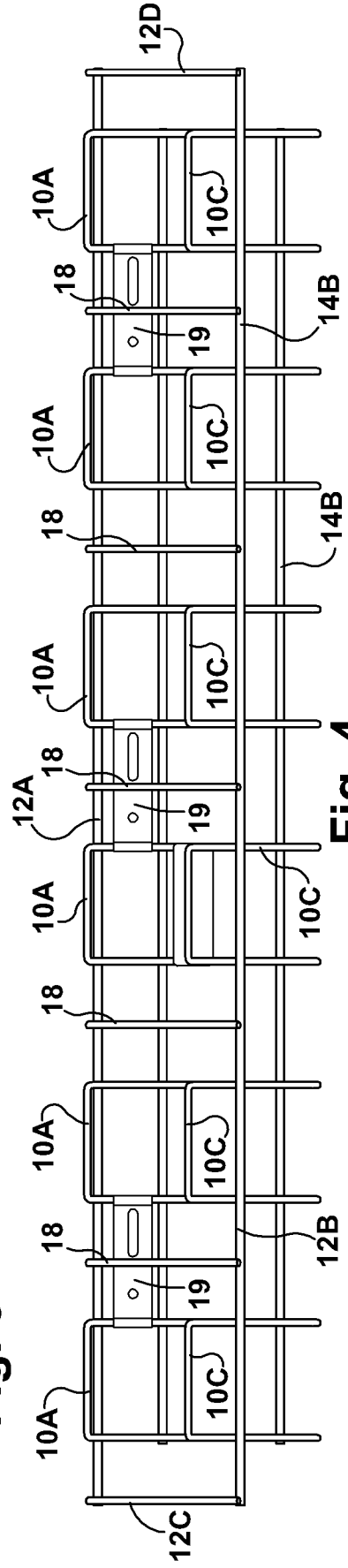


Fig. 4

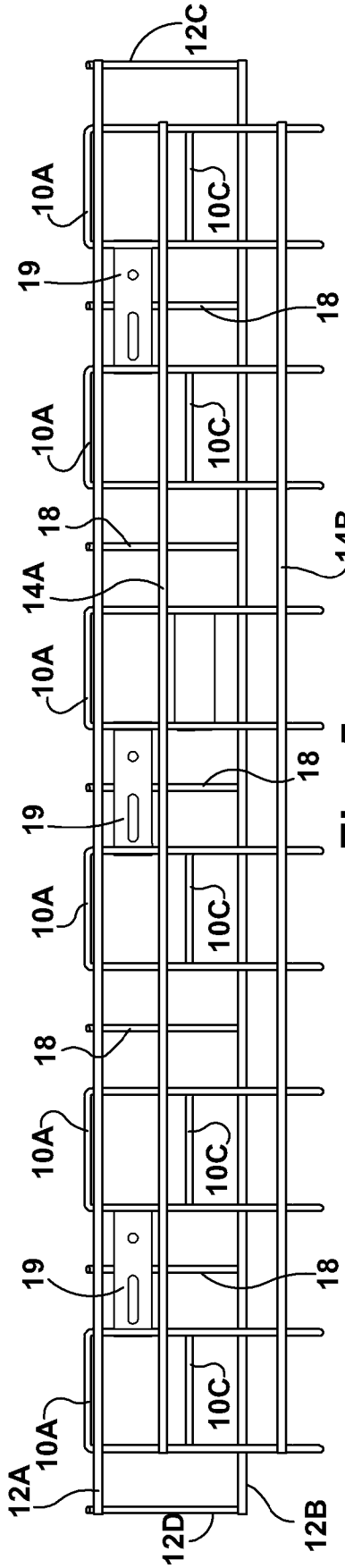


Fig. 5

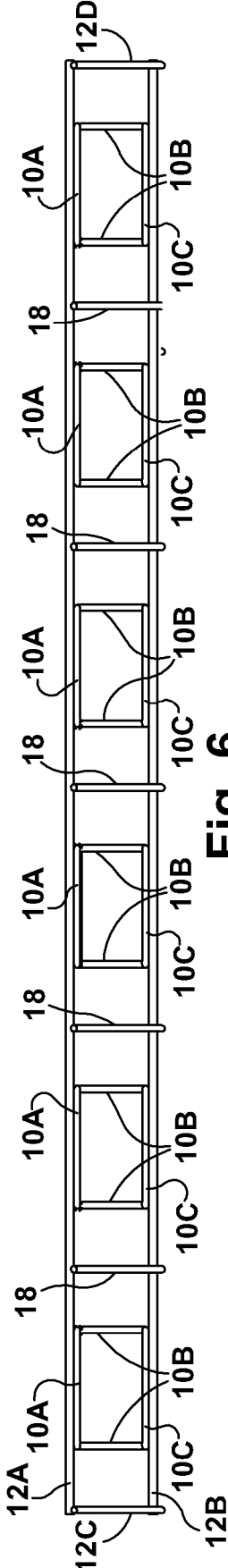


Fig. 6

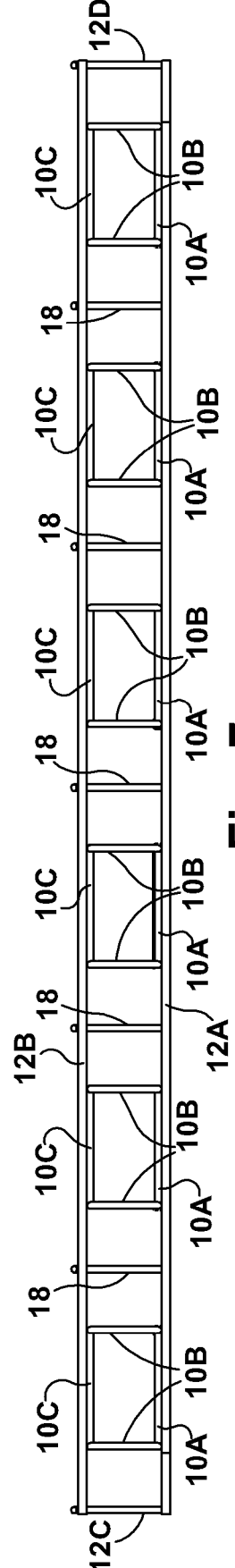
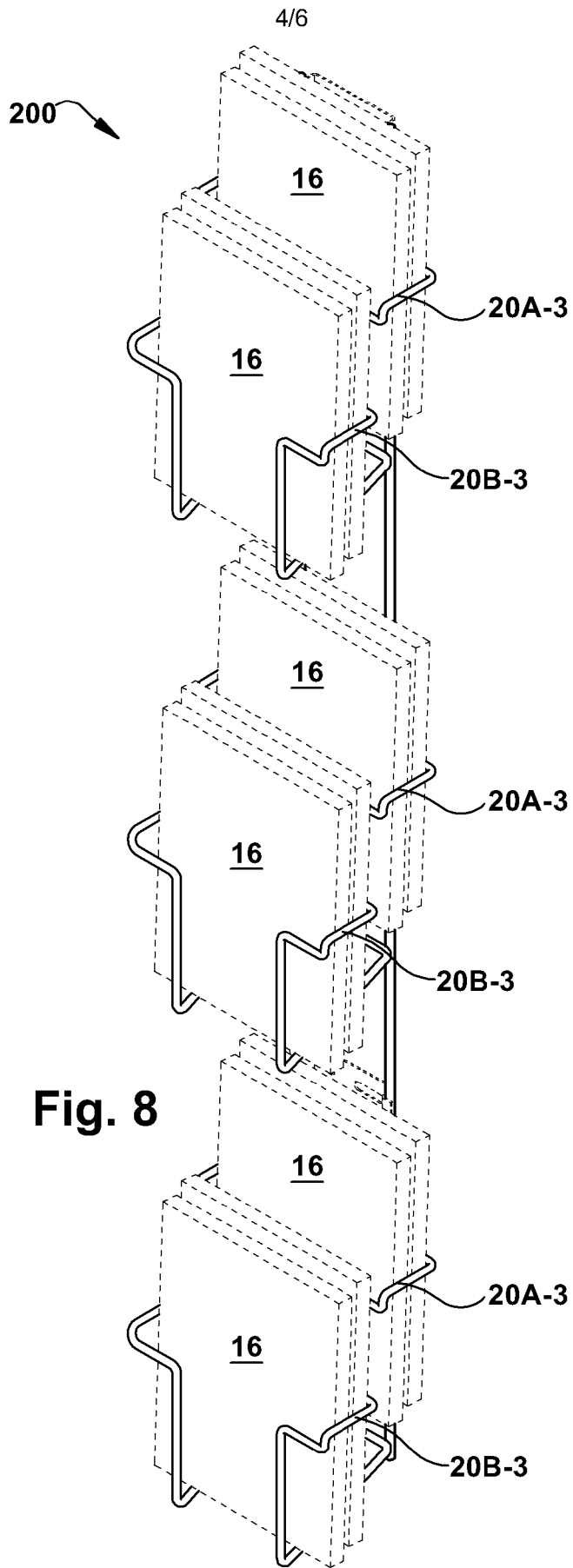


Fig. 7



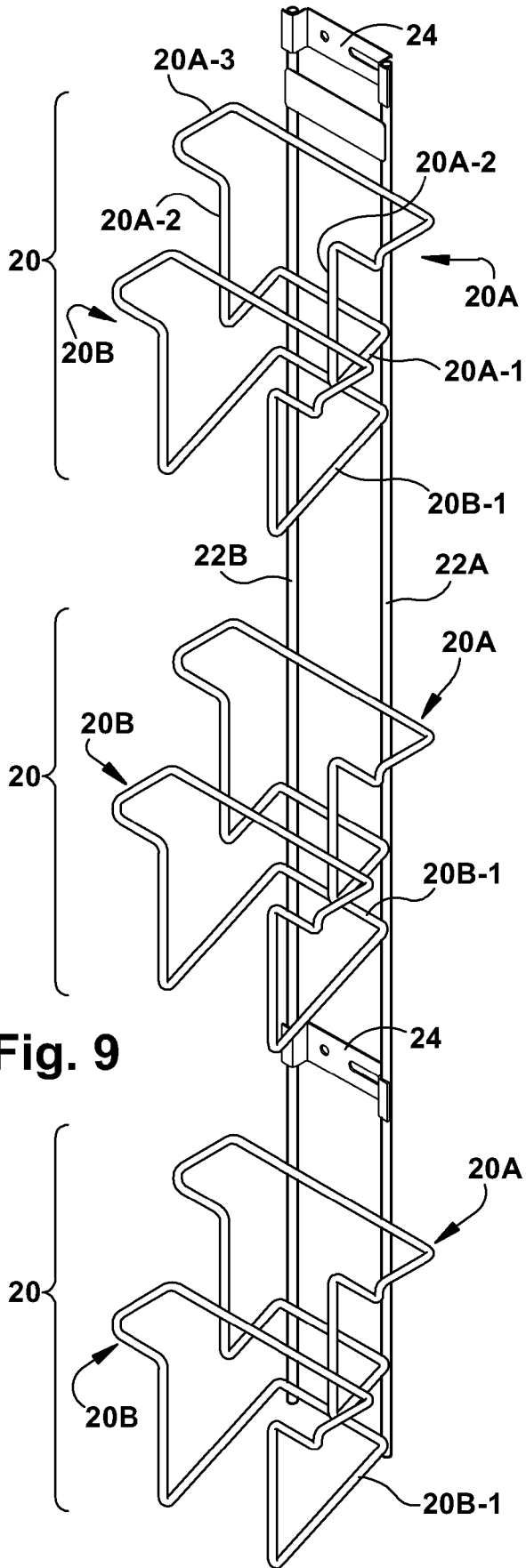


Fig. 9

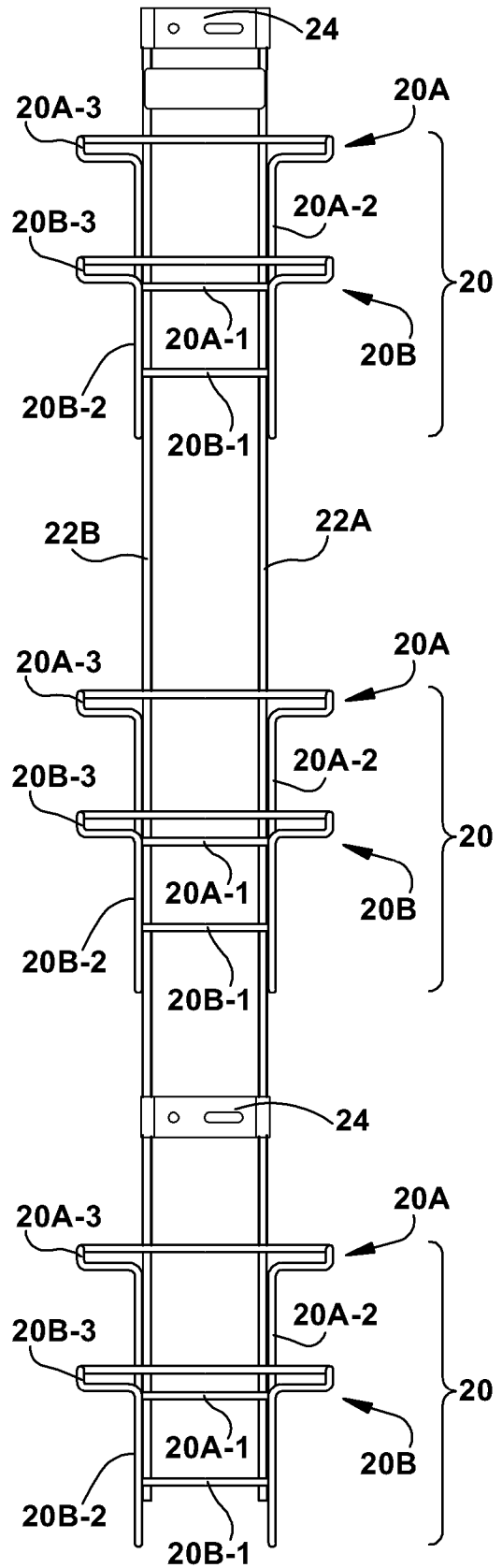


Fig. 10

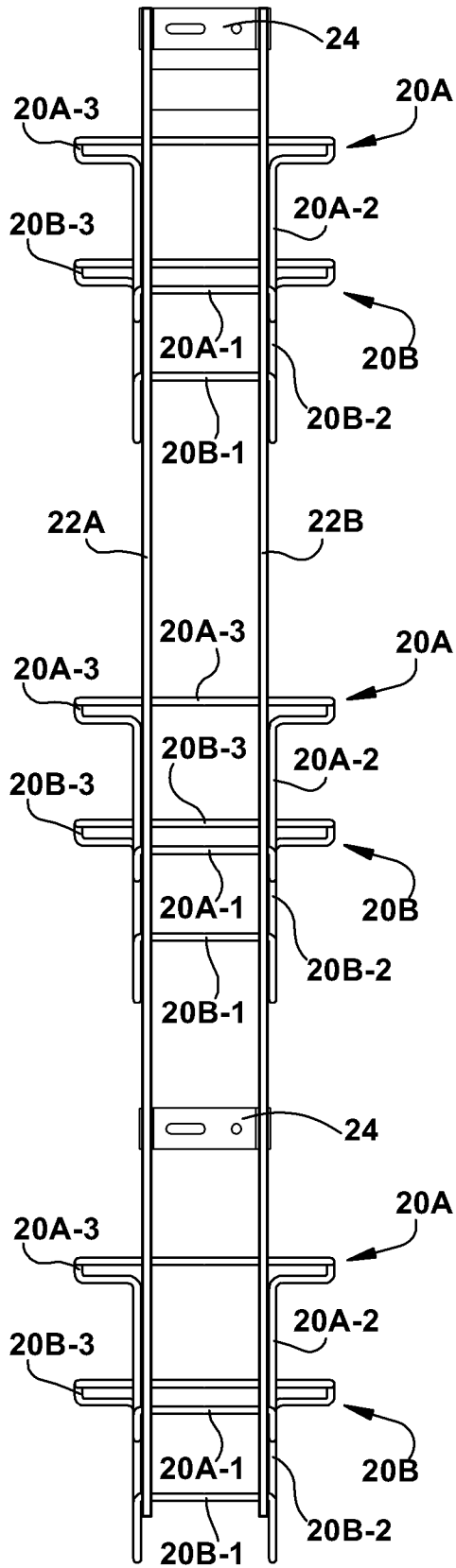


Fig. 11

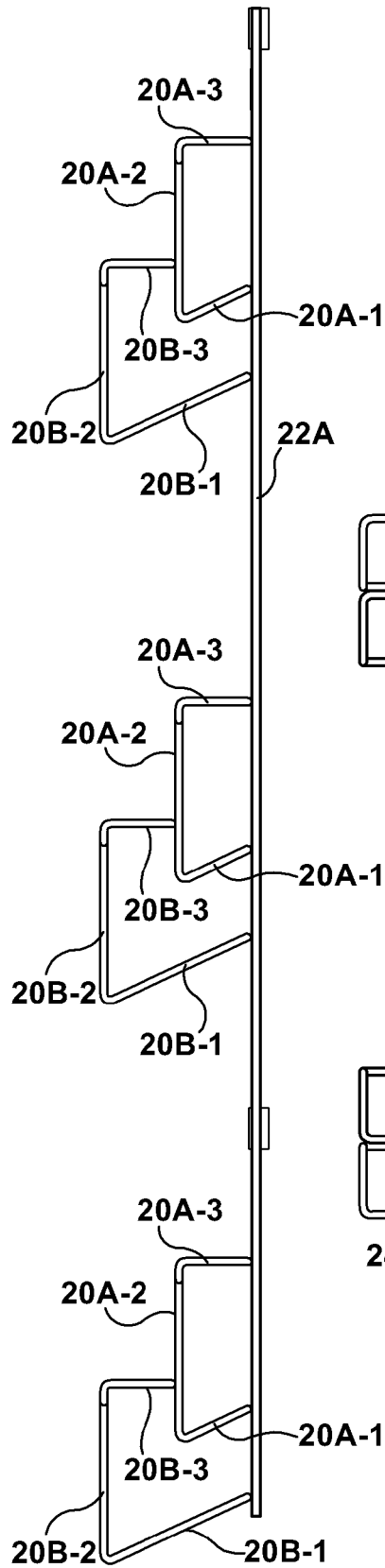


Fig. 12

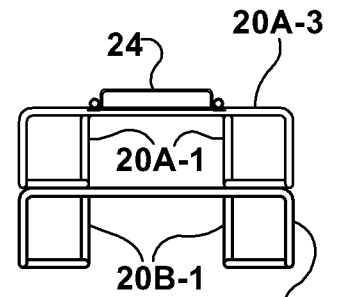


Fig. 13

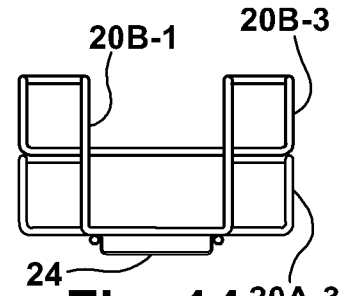


Fig. 14

200

