



US00D986187S

(12) **United States Design Patent**
Altonen et al.

(10) **Patent No.:** **US D986,187 S**

(45) **Date of Patent:** **** May 16, 2023**

(54) **ILLUMINATED CONTROL DEVICE**

OTHER PUBLICATIONS

(71) Applicant: **Lutron Technology Company LLC**,
Coopersburg, PA (US)

Amazon.com; Lutron Diva 250W LED+ Dimmer Switch for Dimmable LED; Dec. 10, 2010; 2 pgs.*

(Continued)

(72) Inventors: **Gregory Altonen**, Easton, PA (US);
Chris Dimberg, Easton, PA (US);
Jason C. Killo, Emmaus, PA (US);
Daniel L. Twaddell, Allentown, PA (US)

Primary Examiner — Selina Sikder
(74) *Attorney, Agent, or Firm* — Saidman DesignLaw Group, LLC

(73) Assignee: **Lutron Technology Company LLC**,
Coopersburg, PA (US)

(57) **CLAIM**

(**) Term: **15 Years**

The ornamental design for an illuminated control device, as shown and described.

(21) Appl. No.: **29/801,749**

(22) Filed: **Jul. 30, 2021**

DESCRIPTION

(51) **LOC (14) Cl.** **13-03**

(52) **U.S. Cl.**

USPC **D13/169**; D13/174

(58) **Field of Classification Search**

USPC D13/162, 169, 171, 174, 177

CPC .. H01H 3/12; H01H 9/02; H01H 9/16; H01H 9/18; H01H 9/181; H01H 9/182; H01H 13/04; H01H 13/06; H01H 13/14; H01H 2009/187; H01H 3/04; H01H 23/00; H01H 23/02; H01H 23/04; H01H 23/06; H01H 23/08; H01H 23/14; H01H 23/146; H01H 23/148; H01H 23/16; H01H 23/162; H01H 21/00; H01H 21/04; H01H 21/36; H01H 25/00; H01H 25/04; H01H 25/06; H05B 39/02; H05B 39/04; H05B 39/085; H05B 39/086; H05B 39/088; H03K 17/96; H03K 17/962

See application file for complete search history.

FIG. 1 is a front view showing a first state in a sequence of an illuminated control device showing our design;

FIG. 2 is a left side view thereof;

FIG. 3 is a right side view thereof;

FIG. 4 is a top view thereof;

FIG. 5 is a bottom view thereof;

FIG. 6 is a front view showing a second state in a sequence thereof;

FIG. 7 is a front view showing a third state in a sequence thereof;

FIG. 8 is a front view showing a fourth state in a sequence thereof; and,

FIG. 9 is a front view showing a fifth state in a sequence thereof.

The gray shaded elements depict illumination.

The dashed broken lines illustrate portions of the control device which form no part of the claimed design.

The dot-dot-dash broken lines illustrate boundaries which form no part of the claimed design.

The appearance of the claimed design transitions from the first state to the last state in the sequence. The process or period in which one state transitions to another state forms no part of the claimed design.

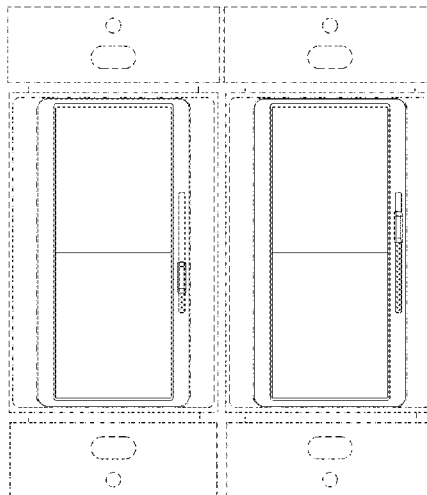
(56) **References Cited**

U.S. PATENT DOCUMENTS

5,207,317 A 5/1993 Bryde et al.
D364,141 S 11/1995 Hanna et al.

(Continued)

1 Claim, 7 Drawing Sheets



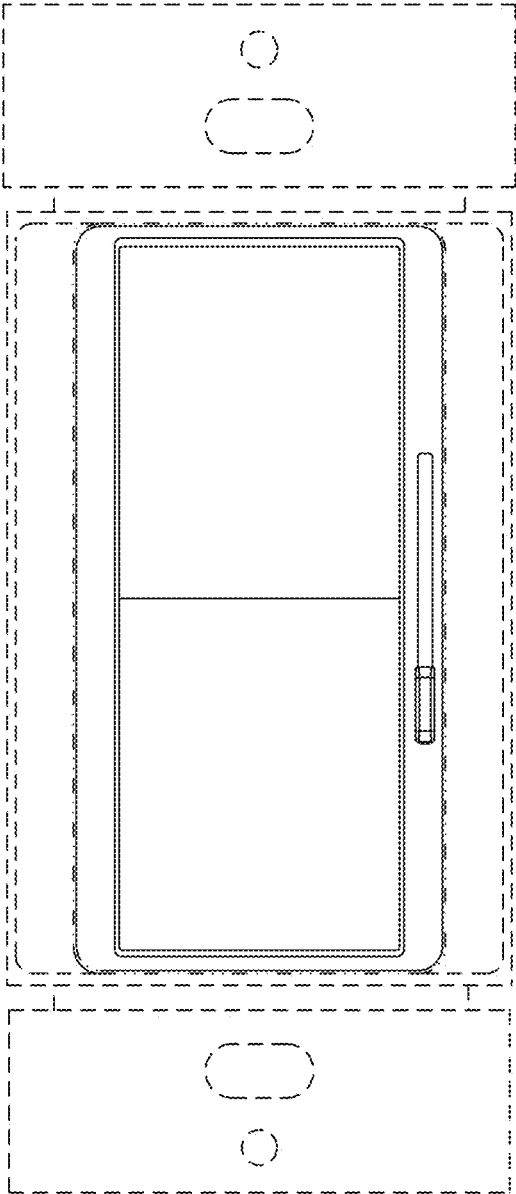


FIG. 1

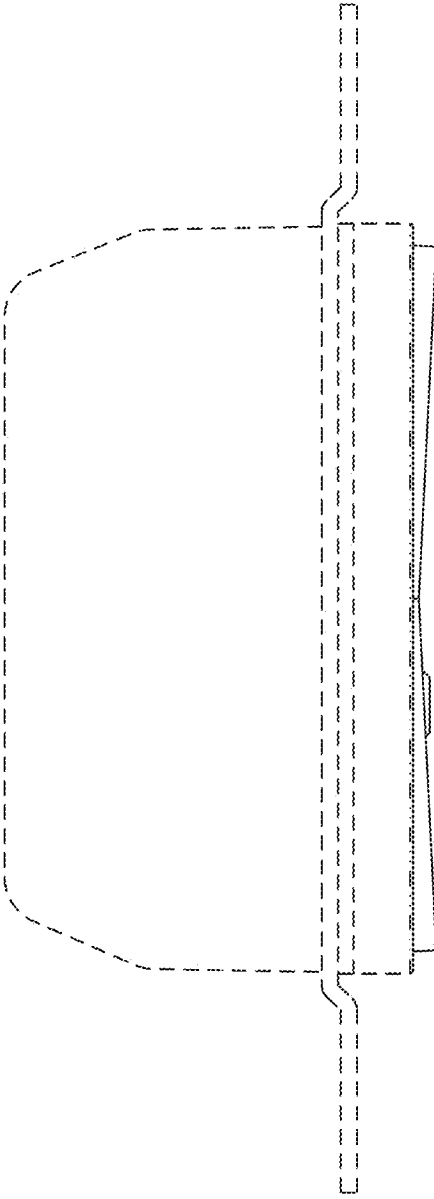


FIG. 2

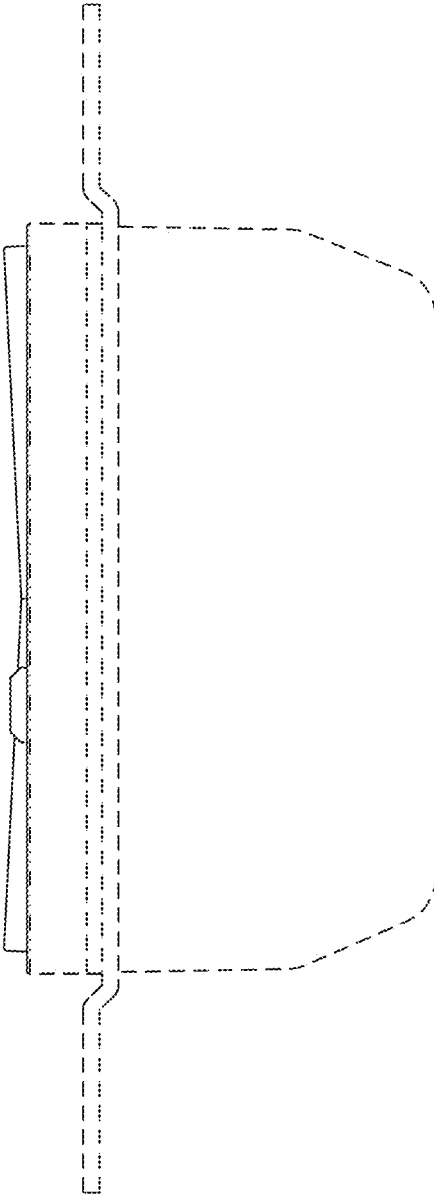


FIG. 3

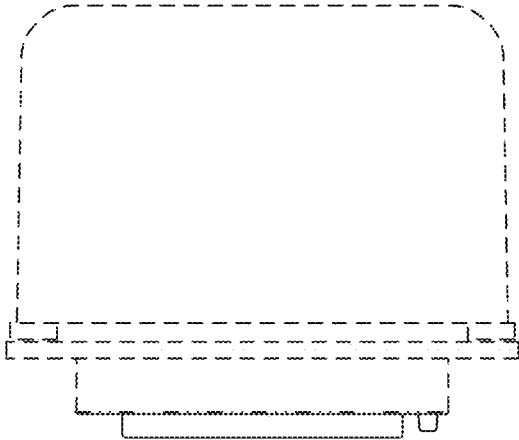


FIG. 4

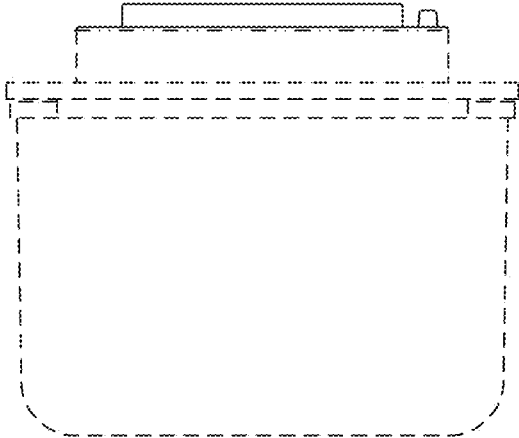


FIG. 5

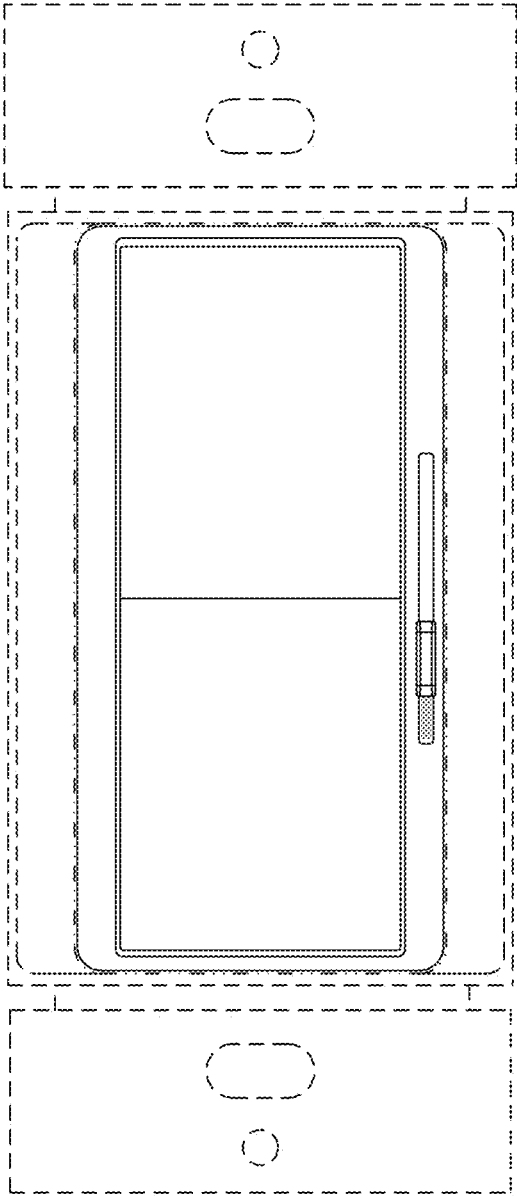


FIG. 6

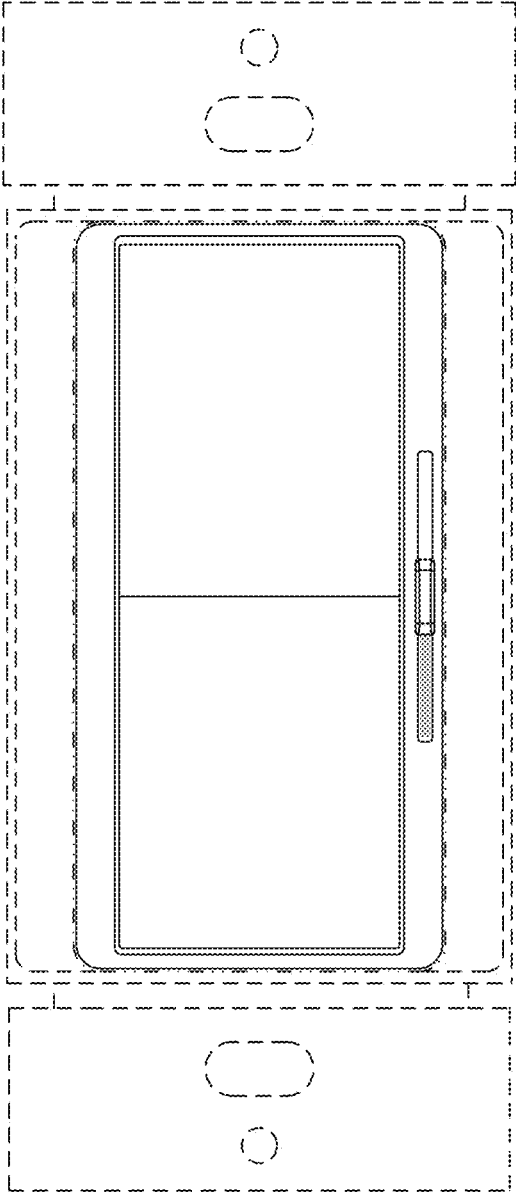


FIG. 7

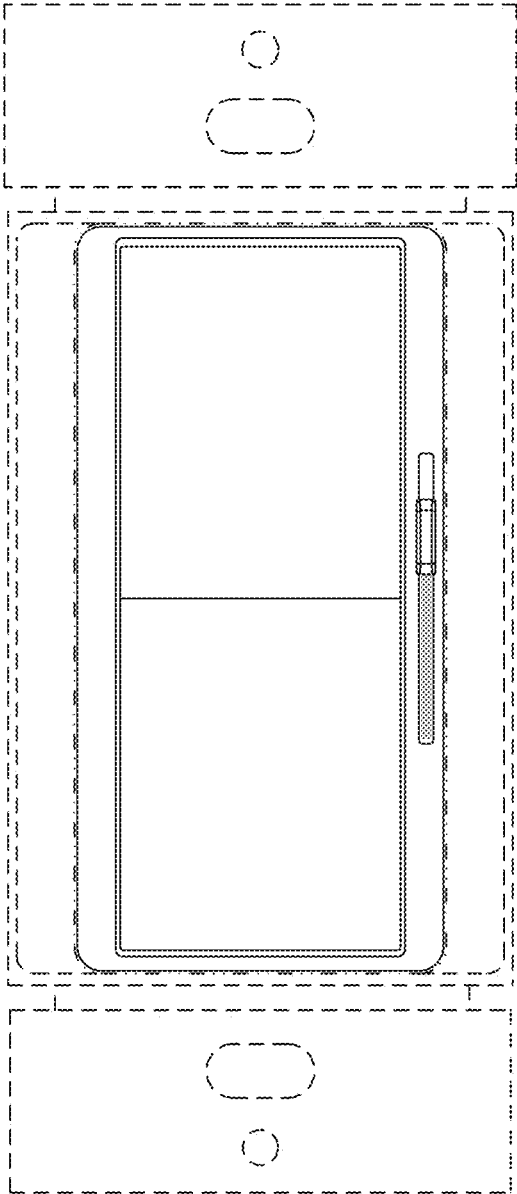


FIG. 8

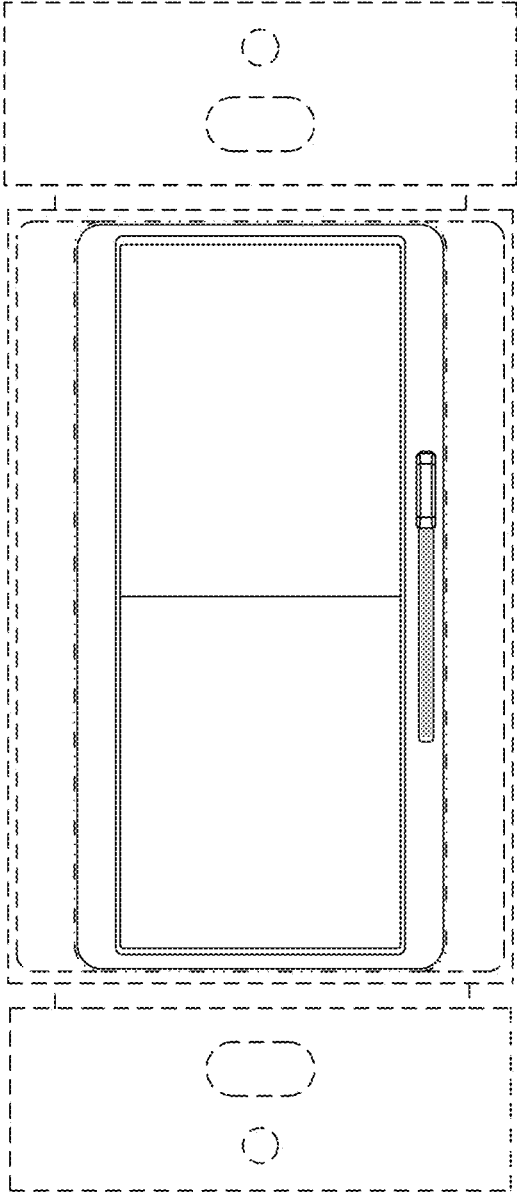


FIG. 9