

(19) World Intellectual Property Organization  
International Bureau



(43) International Publication Date  
29 July 2010 (29.07.2010)

PCT

(10) International Publication Number  
WO 2010/085636 A3

- (51) International Patent Classification:  
*H01M 2/10* (2006.01) *H01M 2/02* (2006.01)  
*H01M 2/14* (2006.01)
- (21) International Application Number:  
PCT/US2010/021791
- (22) International Filing Date:  
22 January 2010 (22.01.2010)
- (25) Filing Language: English
- (26) Publication Language: English
- (30) Priority Data:  
61/146,994 23 January 2009 (23.01.2009) US
- (71) Applicant (for all designated States except US): **JOHNSON CONTROLS - SAFT ADVANCED POWER SOLUTIONS LLC** [US/US]; 1209 Orange Street, Wilmington, DE 19801 (US).
- (72) Inventors; and
- (75) Inventors/Applicants (for US only): **FUHR, Jason** [US/US]; W234 N6168 Tulip Ct., Sussex, WI 53089 (US). **ZHANG, Xugang** [CN/US]; 222 West Hampton Avenue, Apt. 110, Milwaukee, WI 53217 (US). **HOUCHINMILLER, Gary, P.** [US/US]; 205 E. Calumet Road, Fox Point, WI 53217 (US). **TRESTER, Dale** [US/US]; 3045 N. 89th Street, Milwaukee, WI 53222 (US).
- (74) Agents: **SPROW, Marcus, W.** et al.; Foley & Lardner LLP, 777 E Wisconsin Ave, Milwaukee, WI 53202 (US).
- (81) Designated States (unless otherwise indicated, for every kind of national protection available): AE, AG, AL, AM, AO, AT, AU, AZ, BA, BB, BG, BH, BR, BW, BY, BZ, CA, CH, CL, CN, CO, CR, CU, CZ, DE, DK, DM, DO, DZ, EC, EE, EG, ES, FI, GB, GD, GE, GH, GM, GT, HN, HR, HU, ID, IL, IN, IS, JP, KE, KG, KM, KN, KP, KR, KZ, LA, LC, LK, LR, LS, LT, LU, LY, MA, MD, ME, MG, MK, MN, MW, MX, MY, MZ, NA, NG, NI, NO, NZ, OM, PE, PG, PH, PL, PT, RO, RS, RU, SC, SD, SE, SG, SK, SL, SM, ST, SV, SY, TH, TJ, TM, TN, TR, TT, TZ, UA, UG, US, UZ, VC, VN, ZA, ZM, ZW.
- (84) Designated States (unless otherwise indicated, for every kind of regional protection available): ARIPO (BW, GH, GM, KE, LS, MW, MZ, NA, SD, SL, SZ, TZ, UG, ZM, ZW), Eurasian (AM, AZ, BY, KG, KZ, MD, RU, TJ, TM), European (AT, BE, BG, CH, CY, CZ, DE, DK, EE, ES, FI, FR, GB, GR, HR, HU, IE, IS, IT, LT, LU, LV, MC, MK, MT, NL, NO, PL, PT, RO, SE, SI, SK, SM, TR), OAPI (BF, BJ, CF, CG, CI, CM, GA, GN, GQ, GW, ML, MR, NE, SN, TD, TG).
- Published:  
— with international search report (Art. 21(3))

[Continued on next page]

(54) Title: BATTERY MODULE HAVING ELECTROCHEMICAL CELLS WITH INTEGRALLY FORMED TERMINALS

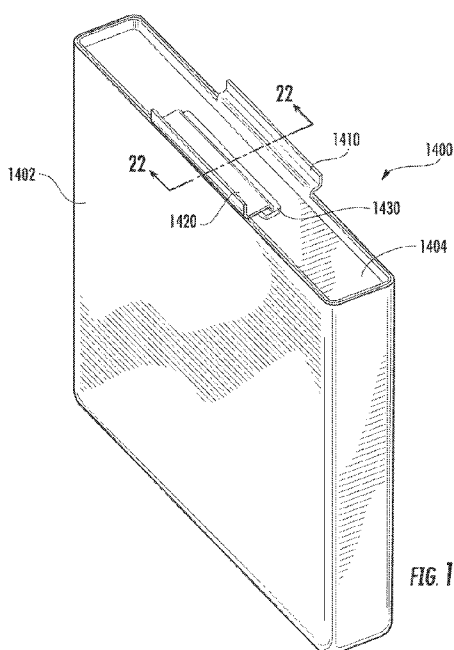


FIG. 19

(57) Abstract: An electrochemical cell includes a housing and a lid coupled to the housing. The electrochemical cell also includes a first member conductively coupled to the housing and configured to act as a first terminal for the electrochemical cell. The electrochemical cell further includes a second member electrically insulated from the lid and configured to act as a second terminal for the electrochemical cell. A first portion of the second member extends through the lid and a second portion of the second member extends in a direction generally perpendicular to the first portion.



WO 2010/085636 A3



---

— *before the expiration of the time limit for amending the claims and to be republished in the event of receipt of amendments (Rule 48.2(h))*

**(88) Date of publication of the international search report:**  
28 October 2010

**A. CLASSIFICATION OF SUBJECT MATTER****H01M 2/10(2006.01)i, H01M 2/14(2006.01)i, H01M 2/02(2006.01)i**

According to International Patent Classification (IPC) or to both national classification and IPC

**B. FIELDS SEARCHED**

Minimum documentation searched (classification system followed by classification symbols)

H01M 2/10; H01M 10/04; H01M 2/02; H01M 2/20

Documentation searched other than minimum documentation to the extent that such documents are included in the fields searched

Korean utility models and applications for utility models

Japanese utility models and applications for utility models

Electronic data base consulted during the international search (name of data base and, where practicable, search terms used)

eKOMPASS(KIPO internal) &amp; Keywords: electrochemical sell, connect, terminal

**C. DOCUMENTS CONSIDERED TO BE RELEVANT**

Category*	Citation of document, with indication, where appropriate, of the relevant passages	Relevant to claim No.
A	WO 2008-021230 A2 (JOHNSON CONTROLS TECHNOLOGY COMPANY et al.) 21 February 2008 See abstract, claims 1-3 and figures 8-10.	1-15
A	WO 2008-086417 A2 (JOHNSON CONTROLS-SAFT ADVANCED POWER SOLUTIONS LLC et al.) 17 July 2008 See abstract, claims 1-13 and figures 3-6.	1-15
A	US 2008-0160395 A1 (OKADA WATARU et al.) 03 July 2008 See abstract, claims 1-4 and figures 1-4.	1-15
A	JP 2007-012487 A (SANYO ELECTRIC CO., LTD.) 18 January 2007 See abstract, claim 1 and figures 1-6.	1-15

 Further documents are listed in the continuation of Box C. See patent family annex.

\* Special categories of cited documents:

"A" document defining the general state of the art which is not considered to be of particular relevance

"E" earlier application or patent but published on or after the international filing date

"L" document which may throw doubts on priority claim(s) or which is cited to establish the publication date of citation or other special reason (as specified)

"O" document referring to an oral disclosure, use, exhibition or other means

"P" document published prior to the international filing date but later than the priority date claimed

"T" later document published after the international filing date or priority date and not in conflict with the application but cited to understand the principle or theory underlying the invention

"X" document of particular relevance; the claimed invention cannot be considered novel or cannot be considered to involve an inventive step when the document is taken alone

"Y" document of particular relevance; the claimed invention cannot be considered to involve an inventive step when the document is combined with one or more other such documents, such combination being obvious to a person skilled in the art

"&amp;" document member of the same patent family

Date of the actual completion of the international search

11 AUGUST 2010 (11.08.2010)

Date of mailing of the international search report

**13 AUGUST 2010 (13.08.2010)**

Name and mailing address of the ISA/KR

Korean Intellectual Property Office  
Government Complex-Daejeon, 139 Seonsa-ro, Seo-gu, Daejeon 302-701, Republic of Korea

Facsimile No. 82-42-472-7140

Authorized officer

LEE, Kang Young

Telephone No. 82-42-481-5583



**INTERNATIONAL SEARCH REPORT**

Information on patent family members

International application No.

**PCT/US2010/021791**

Patent document cited in search report	Publication date	Patent family member(s)	Publication date
WO 2008-021230 A2	21.02.2008	CN 101501885 A	05.08.2009
		EP 2050152 A2	22.04.2009
		WO 2008-021230 A2	21.02.2008
		WO 2008-021230 A3	21.02.2008
		WO 2008-021230 A3	02.05.2008
WO 2008-086417 A2	17.07.2008	CN 101622734 A	06.01.2010
		EP 2109902 A2	21.10.2009
		US 2010-003584 A1	07.01.2010
		WO 2008-086417 A3	17.07.2008
		WO 2008-086417 A3	04.09.2008
US 2008-0160395 A1	03.07.2008	CN 101212032 A0	02.07.2008
		EP 1939956 A1	02.07.2008
		JP 2008-166191 A	17.07.2008
JP 2007-012487 A	18.01.2007	None	