

[54] **TOY TRAFFIC SIGNAL**

[75] **Inventor: Janet E. Snell-Kelly, East Aurora, N.Y.**

[73] **Assignee: The Quaker Oats Company, Chicago, Ill.**

[**] **Term: 14 Years**

[21] **Appl. No.: 70,882**

[22] **Filed: Jul. 8, 1987**

[52] **U.S. Cl. D21/109**

[58] **Field of Search D21/59, 109, 110, 111, D21/120; D10/114, 113; D20/20, 19; 446/140, 175, 479, 491**

[56] **References Cited**

U.S. PATENT DOCUMENTS

D. 169,043	3/1953	Maxwell	D10/114
D. 171,738	3/1954	Wiswell	D21/109
D. 172,026	4/1954	Hoye	D10/114
D. 192,488	3/1962	Sohn	D10/114

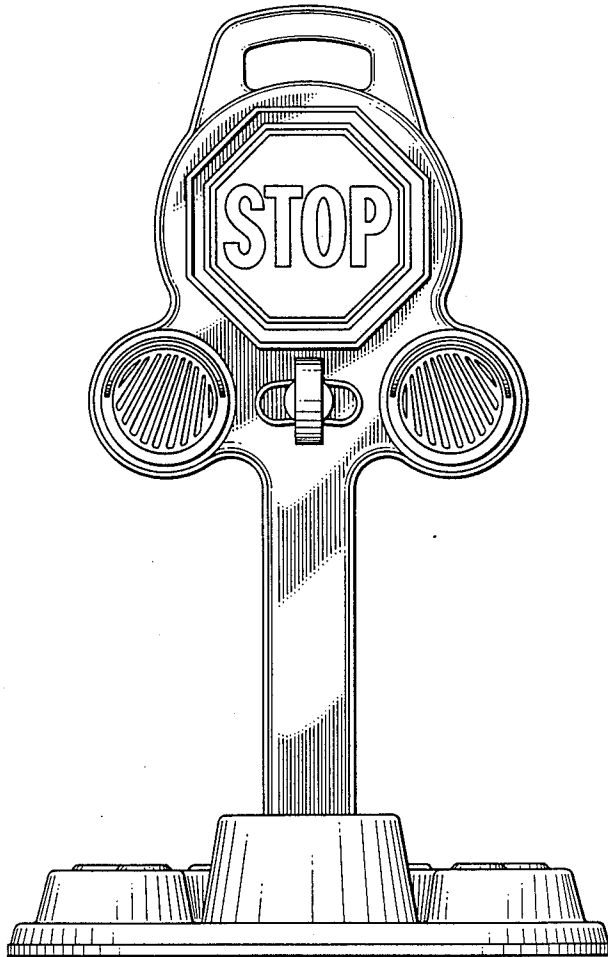
Primary Examiner—Charles A. Rademaker
Attorney, Agent, or Firm—Cumpston & Shaw

[57] **CLAIM**

The ornamental design for a toy traffic signal, as shown and described.

DESCRIPTION

FIG. 1 is a front elevational view of a toy traffic signal showing my new design;
FIG. 2 is a right-side elevational view thereof, the left-side being substantially a mirror image thereof;
FIG. 3 is a rear elevational view thereof;
FIG. 4 is a top plan view thereof; and
FIG. 5 is a bottom plan view thereof.



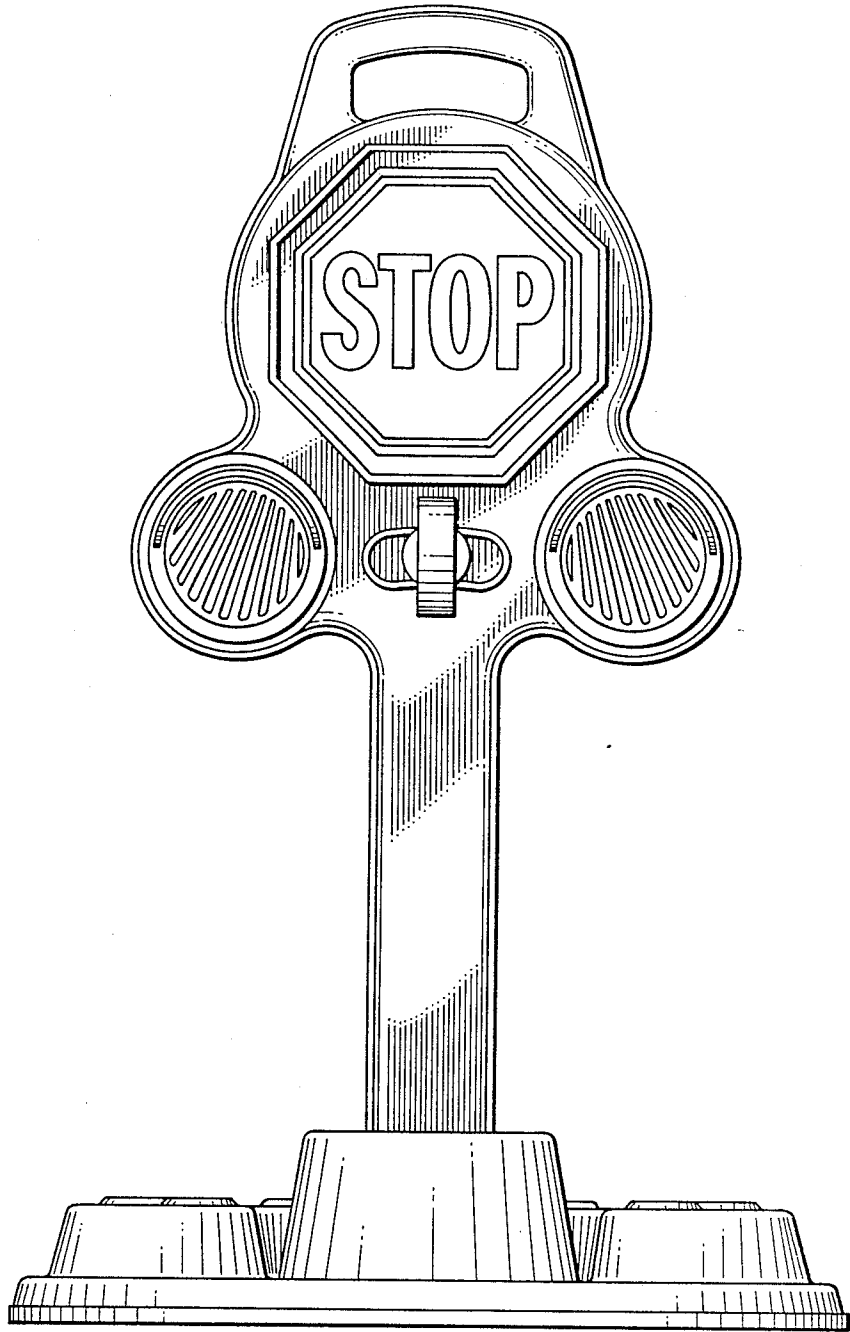


FIG. 1

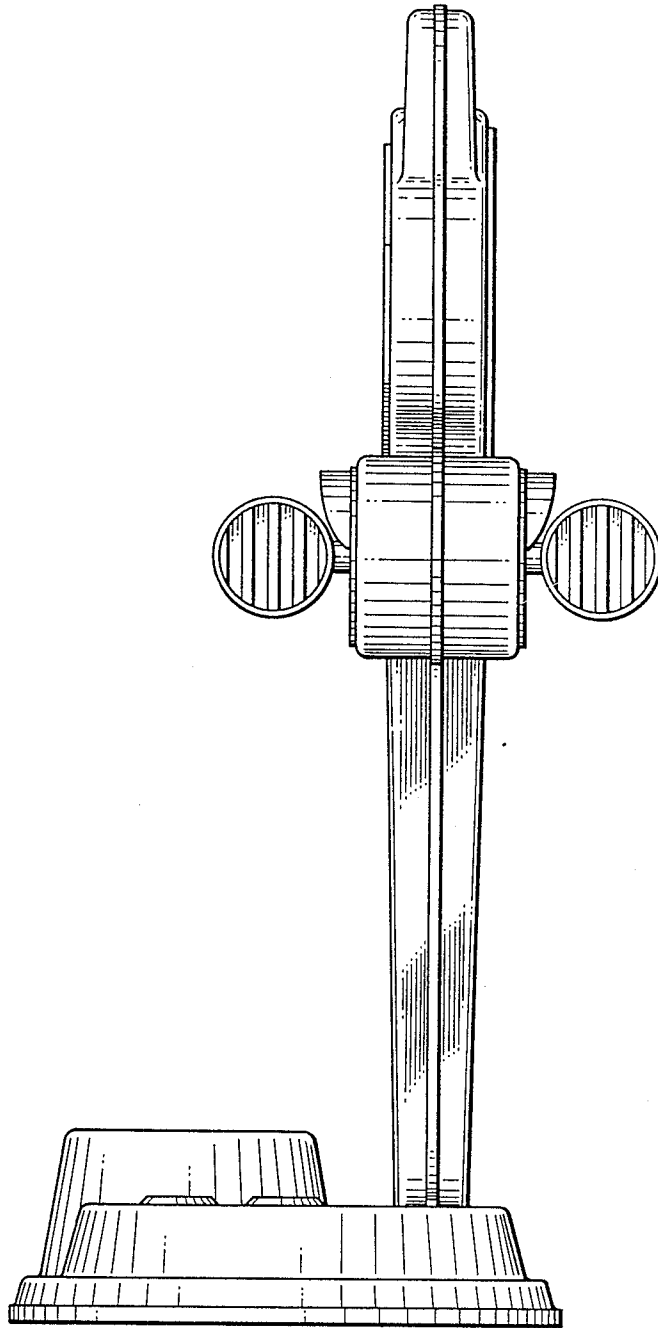


FIG. 2

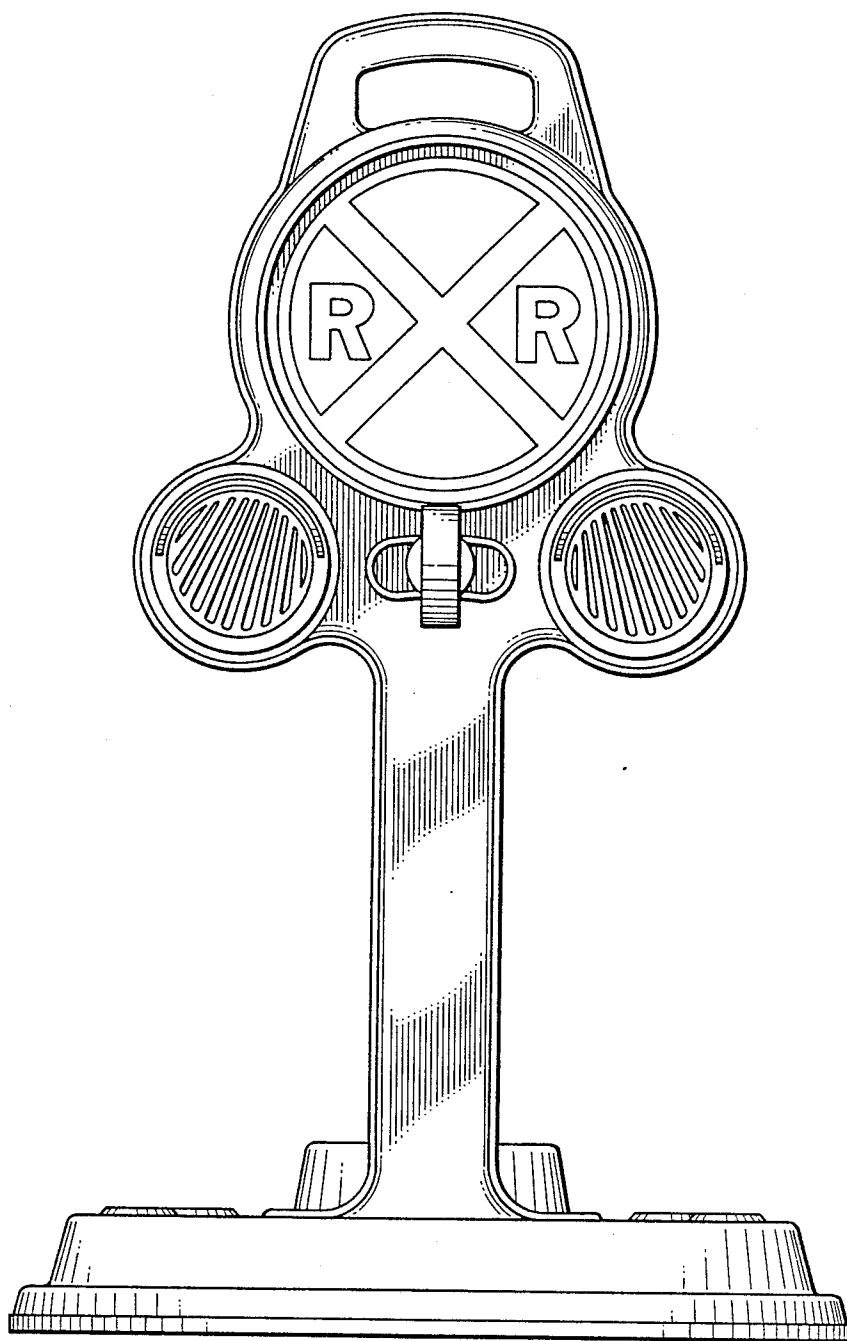


FIG. 3

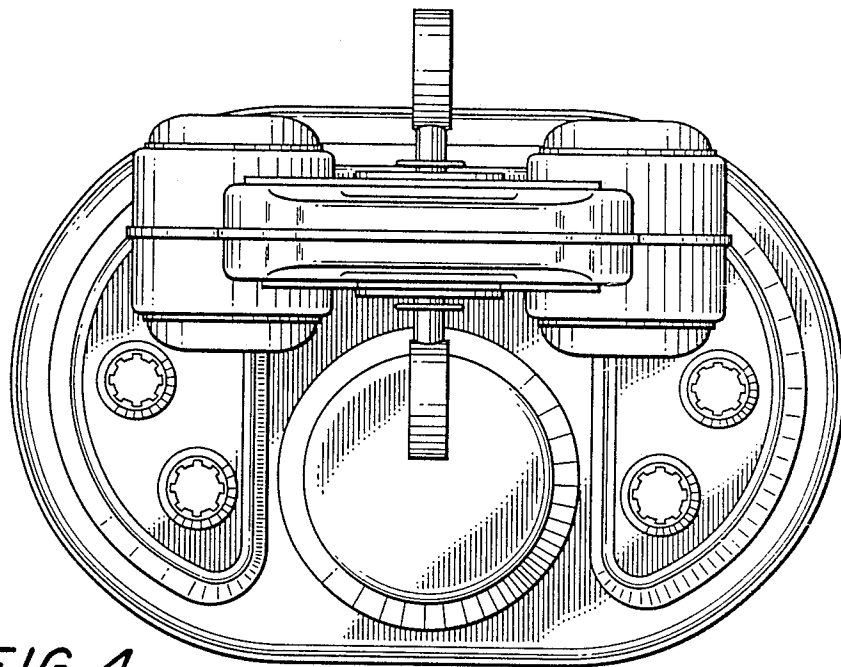


FIG. 4

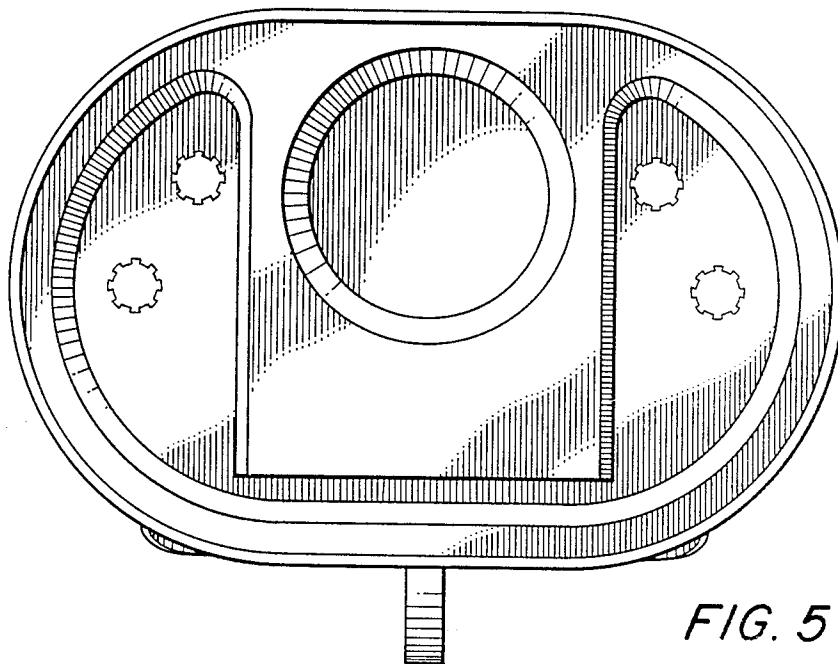


FIG. 5