



US00D560715S

(12) **United States Design Patent**
Hogg

(10) **Patent No.:** **US D560,715 S**

(45) **Date of Patent:** **** Jan. 29, 2008**

(54) **TRANSACTION CARD**

D453,338 S * 2/2002 Pentz et al. D14/436
D511,543 S * 11/2005 Lubking D19/10
D515,140 S * 2/2006 Li D20/27

(76) Inventor: **Jason J. Hogg**, 290 Sickletown Rd.,
Orangeburg, NY (US) 10962

(**) Term: **14 Years**

* cited by examiner

(21) Appl. No.: **29/265,738**

Primary Examiner—Stella M. Reid

Assistant Examiner—Susan E Krakower

(22) Filed: **Sep. 6, 2006**

(74) *Attorney, Agent, or Firm*—Merchant & Gould P.C.

(51) **LOC (8) Cl.** **19-08**

(57) **CLAIM**

(52) **U.S. Cl.** **D19/9; D19/10**

The ornamental design for a transaction card, as shown and described.

(58) **Field of Classification Search** D19/1-12,
D19/65, 99, 100; 235/380-382, 441-443,
235/449, 487-494; 283/72-78, 107-114,
283/904; 379/355, 354, 357, 413; D20/10,
D20/22-27, 40, 42; D14/436-437
See application file for complete search history.

DESCRIPTION

The transaction card shown herein may be used in credit card transactions, debit card transactions, pre-paid card transactions, stored-value card transactions, data acquisition transactions, and the like.

(56) **References Cited**

FIG. 1 is a perspective view of the transaction card showing my new design;

U.S. PATENT DOCUMENTS

D27,251 S * 6/1897 Fanwell D19/9
D217,318 S * 4/1970 Walldorf D20/43
D318,067 S * 7/1991 McCormick D19/9
D337,132 S * 7/1993 Hinkeldey D20/27
D377,667 S * 1/1997 DeArkland D20/22
D393,660 S * 4/1998 Gibson D20/22
D403,709 S * 1/1999 Norwood D20/42
D424,539 S * 5/2000 Shiroki D14/436
D451,554 S * 12/2001 Fasano D20/22
D453,337 S * 2/2002 Pentz et al. D14/436

FIG. 2 is a top plan view, the bottom plan view being identical thereto;

FIG. 3 is a front elevational view, the rear elevational view being identical thereto; and,

FIG. 4 is a side elevational view, the opposite side elevational view being identical thereto.

1 Claim, 1 Drawing Sheet

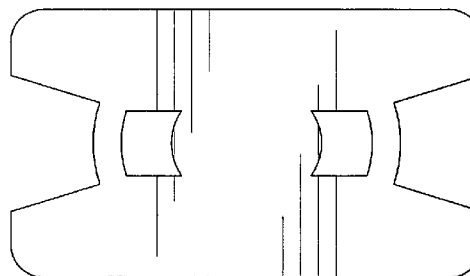
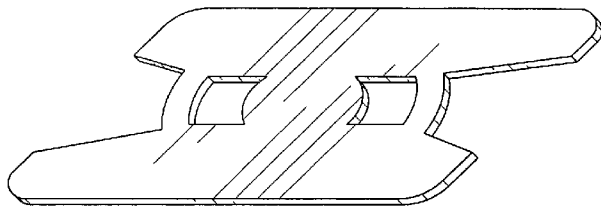


FIG.1

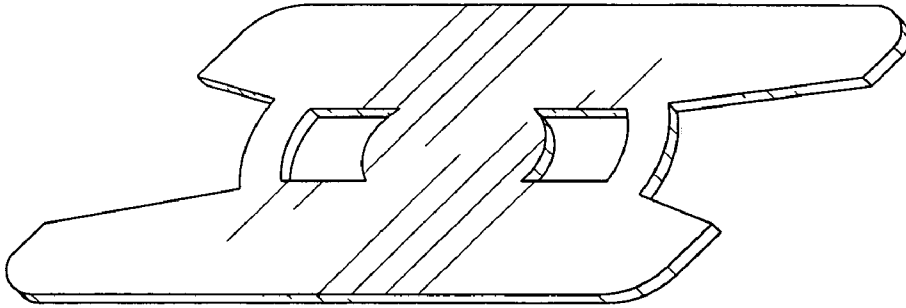


FIG.2

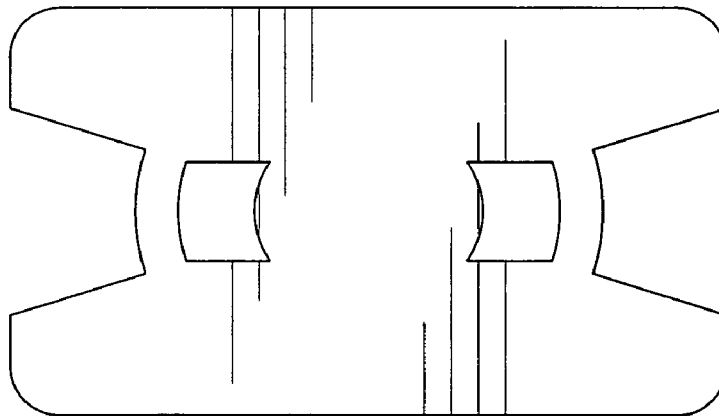


FIG.3

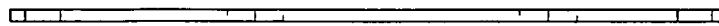


FIG.4

