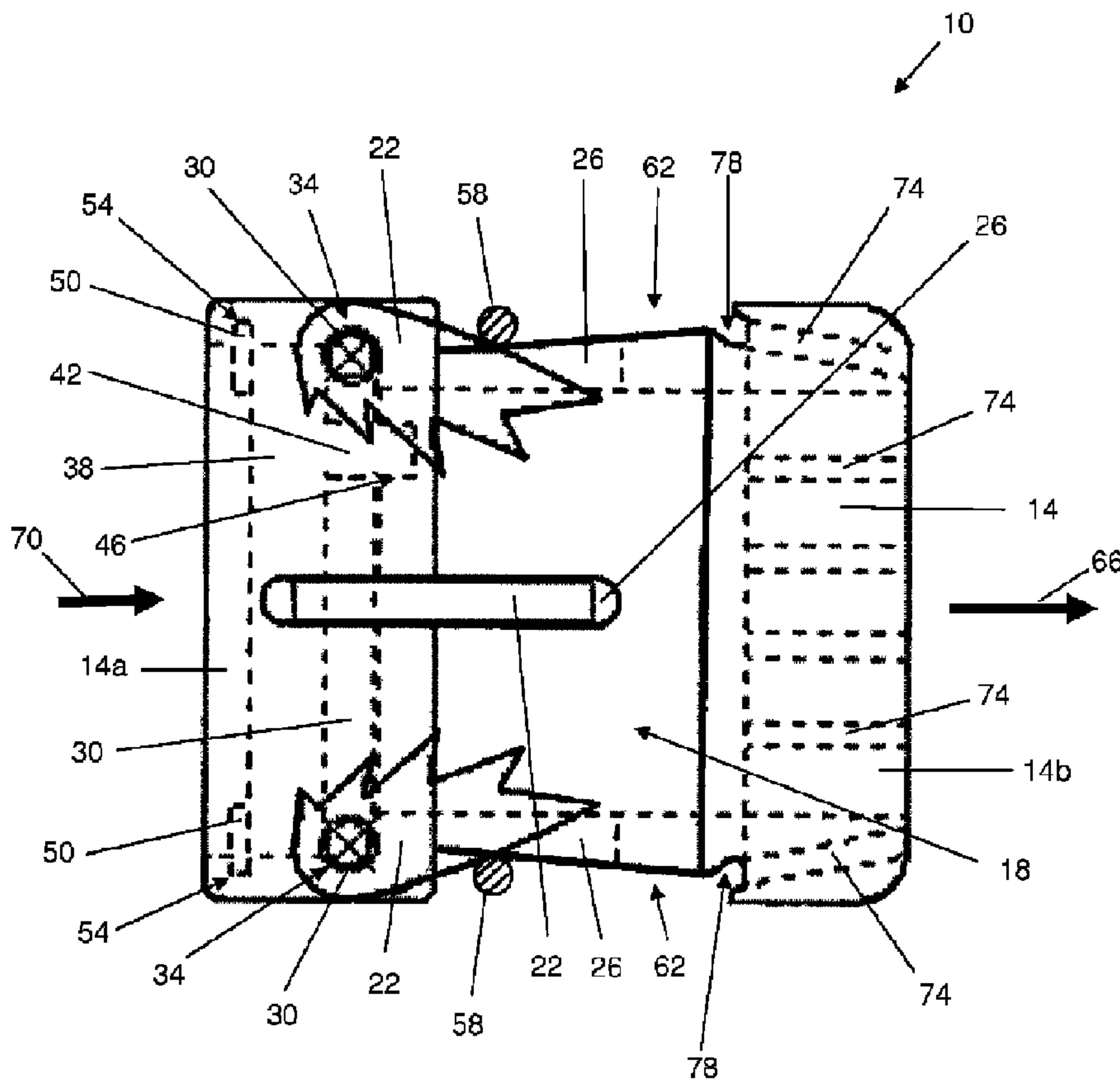




(86) **Date de dépôt PCT/PCT Filing Date:** 2009/03/05  
 (87) **Date publication PCT/PCT Publication Date:** 2009/09/11  
 (45) **Date de délivrance/Issue Date:** 2016/02/09  
 (85) **Entrée phase nationale/National Entry:** 2010/08/23  
 (86) **N° demande PCT/PCT Application No.:** US 2009/036224  
 (87) **N° publication PCT/PCT Publication No.:** 2009/111659  
 (30) **Priorité/Priority:** 2008/03/05 (US61/034,095)

(51) **Cl.Int./Int.Cl. H02G 1/04** (2006.01),  
**H02G 1/02** (2006.01)  
 (72) **Inventeurs/Inventors:**  
JORDAN, DAVID, US;  
JORDAN, MICHAEL, US  
 (73) **Propriétaire/Owner:**  
SOUTHWIRE COMPANY, LLC, US  
 (74) **Agent:** BERESKIN & PARR LLP/S.E.N.C.R.L.,S.R.L.

(54) **Titre : DISPOSITIF PERMETTANT DE SAISIR ET D'INSTALLER UN FIL**  
 (54) **Title: DEVICE FOR GRIPPING AND INSTALLING WIRE**



(57) **Abrégé/Abstract:**

A wire pulling grip easy and reliably grips wire for pulling the same through a conduit or the like. The grip has cams which maintain contact with the wire even when tension is not applied and regardless of the orientation of the grip, significantly reducing the likelihood that the connection with the wire is lost. The cams are selectively releasable to allow the wire to be easily removed from the grip. The grip also includes a braided wire tube which is connected to the grip body.

(12) INTERNATIONAL APPLICATION PUBLISHED UNDER THE PATENT COOPERATION TREATY (PCT)

(19) World Intellectual Property Organization  
International Bureau(43) International Publication Date  
11 September 2009 (11.09.2009)(10) International Publication Number  
**WO 2009/111659 A3**

(51) International Patent Classification:

*H02G 1/04* (2006.01)      *H02G 1/02* (2006.01)

(21) International Application Number:

PCT/US2009/036224

(22) International Filing Date:

5 March 2009 (05.03.2009)

(25) Filing Language:

English

(26) Publication Language:

English

(30) Priority Data:

61/034,095      5 March 2008 (05.03.2008)      US

(71) Applicant (for all designated States except US): **MAXIS, LLC** [US/US]; 4838 E. Baseline Rd., #131, Mesa, AZ (US).

(72) Inventors; and

(75) Inventors/Applicants (for US only): **JORDAN, David** [US/US]; 1225 West Houston, Suite 103, Gilbert, AZ 85233 (US). **JORDAN, Michael** [US/US]; 1225 West Houston, Suite 103, Gilbert, AZ 85233 (US).(74) Agent: **PETERSON, Brett, H.**; Bateman IP Law Group, P.O. Box 1319, Salt Lake City, UT 84110 (US).

(81) Designated States (unless otherwise indicated, for every kind of national protection available): AE, AG, AL, AM,

AO, AT, AU, AZ, BA, BB, BG, BH, BR, BW, BY, BZ, CA, CH, CN, CO, CR, CU, CZ, DE, DK, DM, DO, DZ, EC, EE, EG, ES, FI, GB, GD, GE, GH, GM, GT, HN, HR, HU, ID, IL, IN, IS, JP, KE, KG, KM, KN, KP, KR, KZ, LA, LC, LK, LR, LS, LT, LU, LY, MA, MD, ME, MG, MK, MN, MW, MX, MY, MZ, NA, NG, NI, NO, NZ, OM, PG, PH, PL, PT, RO, RS, RU, SC, SD, SE, SG, SK, SL, SM, ST, SV, SY, TJ, TM, TN, TR, TT, TZ, UA, UG, US, UZ, VC, VN, ZA, ZM, ZW.

(84) Designated States (unless otherwise indicated, for every kind of regional protection available): ARIPO (BW, GH, GM, KE, LS, MW, MZ, NA, SD, SL, SZ, TZ, UG, ZM, ZW), Eurasian (AM, AZ, BY, KG, KZ, MD, RU, TJ, TM), European (AT, BE, BG, CH, CY, CZ, DE, DK, EE, ES, FI, FR, GB, GR, HR, HU, IE, IS, IT, LT, LU, LV, MC, MK, MT, NL, NO, PL, PT, RO, SE, SI, SK, TR), OAPI (BF, BJ, CF, CG, CI, CM, GA, GN, GQ, GW, ML, MR, NE, SN, TD, TG).

Published:

- with international search report (Art. 21(3))
- before the expiration of the time limit for amending the claims and to be republished in the event of receipt of amendments (Rule 48.2(h))

[Continued on next page]

(54) Title: DEVICE FOR GRIPPING AND INSTALLING WIRE

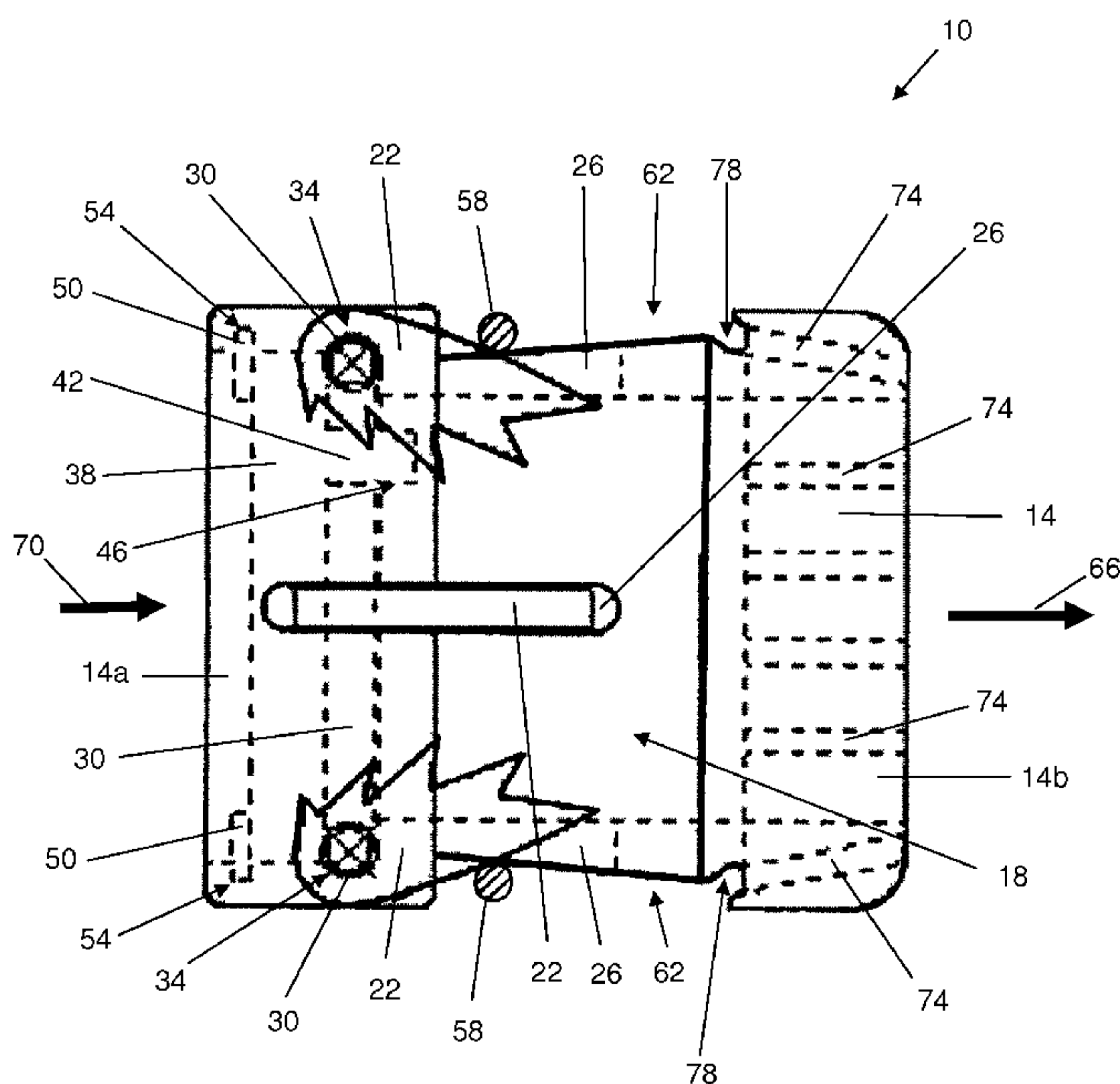


FIG. 1

(57) Abstract: A wire pulling grip easy and reliably grips wire for pulling the same through a conduit or the like. The grip has cams which maintain contact with the wire even when tension is not applied and regardless of the orientation of the grip, significantly reducing the likelihood that the connection with the wire is lost. The cams are selectively releasable to allow the wire to be easily removed from the grip. The grip also includes a braided wire tube which is connected to the grip body.

**WO 2009/111659 A3** 

---

(88) Date of publication of the international search report:  
7 January 2010

**TITLE**5                   **DEVICE FOR GRIPPING AND INSTALLING WIRE**

## 1. The Field of the Invention

10           The present invention relates to installing wire, cables (such as fiber optic cables or communications cables), or the like. More specifically, the present invention relates to a device for gripping a wire, cable, or similar object so as to enable that object to be pulled through a conduit or other enclosure to install the object.

## 2. State of the Art

15           Wires, cables, and the like are commonly installed by pulling the same through a conduit. Industrial or commercial construction of buildings commonly involves placing conduits in the walls of the building and installing wires or cables in the conduit after construction of the wall has been completed. Similarly, municipal wires and cables are often pulled through underground conduits in order to install the cables. Herein, the term wire is used to describe the various types of wires, cables, and the like which are  
20           similarly pulled through conduits to install the same.

          When installing wires, a rope or other pulling line is first threaded through the conduit. One end of the pulling line is then connected to the wire, and a pulling machine is attached to the other end of the pulling line and used to pull the wire through the conduit via the pulling line. The pulling machine will typically exert a force of a  
25           thousand pounds or more in order to pull the wire through the conduit. Lengthy conduits, bends in the conduit, and the stiffness of the wire itself all contribute to the high pulling force required to pull wires through a conduit.

          In municipal applications such as underground power lines or communications lines, the wires being installed are typically larger than those used in commercial  
30           buildings, and require a very high pulling force in order to successfully install the desired wire into the conduit.

When installing a wire, it is highly desirable to successfully install the wire without losing the connection between the pulling line and the installed wire. If the connection between the pulling line and installed wire is lost during a pull, it is typically impossible to reconnect the wire and pulling line inside of the conduit. As such, the wire must be removed from the conduit and the pull must be started again from the beginning. It is typically impossible to remove the wire from the conduit without damaging the wire. Because of the space constraints (especially in underground municipal applications), it is typically necessary to attach a pulling line to the wire every few yards while the wire is pulled a section. Attachment to the wire typically pierces the insulation or otherwise damages the wire and renders the wire unusable. Where multiple wires are being pulled at once through a conduit, all of the wires must be removed from the conduit and are typically thereafter unusable.

It is thus appreciated that losing connection between the pulling line and the wire results in both a significant loss of time and a significant monetary loss in the unusable wire. The larger wires used in municipal installations may cost several thousands of dollars for a single run of wire. It can be appreciated that it is necessary to have a secure and reliable connection between the pulling line and the installed wire.

It is also necessary to have a connection between the pulling line and installed wire which is able to reliably transmit thousands of pounds of force between the pulling line and the installed wire. It is desirable that the connection between the pulling line and installed wire be able to remain connected throughout the pull even if tension is temporarily lost or varies through out the pull, and should be able to remain connected regardless of the orientation of the connection between the pulling line and wire. It is particularly desirable to have a connector which remains easy and convenient to use while providing a secure attachment capable of transmitting a very high force to the wire.

It is thus desirable to have a connector which is capable of connecting a pulling line and a wire securely and reliably. It is desirable to have a connector which is capable of transmitting very high pulling forces between the pulling line and wire reliably. It is desirable to have a connector which remains securely connected to the pulling line and wire even if tension is lost and regardless of the orientation of the connector. It is

desirable to have a connection which remains easy to use while providing a more secure and reliable operation.

### SUMMARY OF THE INVENTION

5 It is an object of the present invention to provide an improved connector for connecting a pulling line to a wire for pulling the wire through a conduit.

According to one aspect of the invention, a connector is provided which releasably grips a wire. The connector may be provided with a body through which the wire passes and a plurality of cams to grip the wire. The cams allow the wire to be easily  
10 passed in one direction through the body, but grip the wire to prevent movement of the wire in the opposing direction so as to transmit a pulling force to the wire.

According to another aspect of the invention, the cams are biased towards the center of the body in a position to grip the wire. The cams are biased towards a wire which is placed through the body of the connector so that the cams remain in contact with  
15 the wire even if tension is not applied to the wire and regardless of the orientation of the connector.

According to another aspect of the invention, the biasing element which biases the cams towards the center of the body is movable so as to allow the cams to move away from the center of the body in an unbiased manner. This allows the grip on the wire to be  
20 selectively released to allow the wire or a foreign object to be removed from the connector.

According to another aspect of the invention, a connector is provided which includes a body having cams therein for gripping the wire, and which also includes a Kellum grip attached thereto. The free end of the Kellum grip is attached to the pulling  
25 line. The Kellum grip, when placed in tension, grips the wire and is capable of applying a very large pulling force to the wire. The connector body secures the connector end of the Kellum grip to the wire so that the Kellum grip is placed in tension when the pulling line is connected to the free end of the Kellum grip and tension applied thereto.

These and other aspects of the present invention are realized in a device for  
30 pulling wire or the like as is shown and described in the following figures and related description.

### BRIEF DESCRIPTION OF THE DRAWINGS

Various embodiments of the present invention are shown and described in reference to the numbered drawings wherein:

5 FIG. 1 shows a side view of a wire gripping device of the present invention;  
FIG. 2 shows an end view of the distal end of the device of FIG. 1;  
FIG. 3 shows an end view of the proximal end of the device of FIG. 1;  
FIGs. 4A and 4B show side and end views of the spacer busing of the device of  
FIG. 1; and

10 FIG. 5 shows a side view of the device of FIG. 1.

It will be appreciated that the drawings are illustrative and not limiting of the scope of the invention which is defined by the appended claims. The embodiments shown accomplish various aspects and objects of the invention. It is appreciated that it is not possible to clearly show each element and aspect of the invention in a single figure,  
15 and as such, multiple figures are presented to separately illustrate the various details of the invention in greater clarity. Similarly, not every embodiment need accomplish all advantages of the present invention.

### DETAILED DESCRIPTION

20 The invention and accompanying drawings will now be discussed in reference to the numerals provided therein so as to enable one skilled in the art to practice the present invention. The drawings and descriptions are exemplary of various aspects of the invention and are not intended to narrow the scope of the appended claims.

Turning now to FIG. 1, a side view of a wire pulling grip 10 is shown. In  
25 discussing the grip 10, exemplary sizes are given to promote understanding of the grip. It will be appreciated, however, that various sizes of the grip 10 are made to allow a wide variety of sizes of wire to be pulled with the grip. The grip 10 includes a body 14 having a bore 18 therethrough. The body 14 is about 1.5 inches in diameter, and the bore 18 through the body is about 1.1 inches in diameter. The body 14 has a distal end 14a and a  
30 proximal end 14b.

A plurality of cams 22 (four are used in the present embodiment, although smaller or larger sizes may use fewer or additional cams) are pivotably mounted to the body 14. The cams 22 pass through slots 26 in the body 14 to allow the cams to pivot inwardly towards the center of the bore 18 or outwardly to extend out from the body. The cams 22 are mounted to a rolled ring 30 which is circular in shape and cross section and which forms a pivot for the cams. The ring 30 is typically made with a small gap to allow the cams 22 to be placed thereon. The ring fits in a shoulder or groove 34 which is formed in the body 14.

A spacer bushing 38 is installed against the ring 30 to hold the ring in place in the body. The spacer bushing 38 has a tab or post 42 formed on a side thereof which passes through the gap in the ring 30 and fits into a notch 46 formed in the body 14 to prevent rotation of the ring 30 and spacer bushing 38 to prevent rotation of the ring and spacer bushing to prevent loss of the cams 22. A spring clip 50 fits against the spacer bushing 38 and into a groove 54 in the body 14 and locks the spacer bushing and ring 30 in place.

An elastic ring 58 (which could be a rubber ring, a circular spring, etc.) is placed around the body 14 in a sloped portion 62 of the body. The slope urges the elastic ring 58 towards the pivot ring 30, biasing the cams 22 towards the center of the body 14. Additionally, any friction on the elastic ring 58 while pulling wires through a conduit will also tend to bias the elastic ring towards the pivot ring 30. If the cams 22, sloped portion 62, and elastic ring 58 are appropriately sized, the cams will be biased completely to the center of the bore. In operation, the cams 22 are thus biased towards a wire which is placed through the bore 18, and are held in contact with the wire. This ensures that the grip 10 does not lose connection with the wire if a pulling force is not applied to the grip, if the pulling force is temporarily lost, or if the grip 10 is placed in any physical orientation.

In use, the grip 10 is pulled in the direction of arrow 66. Resistance to moving the wire which is being pulled by the grip 10 will cause the cams 22 to rotate inwardly towards the center of the bore 18 and thus increase the force by which the wire is gripped. A high degree of force can be reliably applied to the wire as the cams maintain contact and tighten with the application of force. In use, the grip 10 is connected to a pulling

line, a wire is passed through the body through the distal end 14a of the grip in the direction of arrow 70, and the grip and wire are pulled in the direction of arrow 66.

Typically, the grip 10 is used in combination with a wire Kellum grip. A Kellum grip is a tube made of braided wires. The tube is loosely braided so that it increases  
5 diameter when compressed and decreases diameter when stretched. As such, the tube compresses around a wire or cable when placed in tension. Conventional Kellum grips are simply a braided tube of wire with a loop formed on one end to attach to the pulling line. The open end of the tube is placed over the wire, secured to the wire (usually with  
10 duct tape or the like), and the Kellum grip is then used to pull the wire. The problem with conventional Kellum grips is the difficulty in securing the open end of the tube to the wire.

Typically, duct tape or the like is used to secure the open end of the tube to a wire. The duct tape, however, can be difficult to remove afterwards and may leave an  
15 undesirable residue on the wire or Kellum grip. Additionally, there is some risk that the duct tape peels off of the grip/wire during a pull and begins to stick to the conduit, which may remove the tape completely and result in the loss of connection between the wire and grip.

In order to be utilized in combination with a Kellum type grip, the proximal end 14b of the body 14 has holes 74 and a groove 78 formed therein. The holes 74 are spaced  
20 around the edge of the body 14 and are in communication with the groove 78 to allow wires to be laced therethrough without overly protruding radially from the body 14. The grip 10 with the Kellum grip attached therethrough is shown in FIG. 5.

Turning now to FIG. 2, an end view of the distal end 14a of the grip 10 is shown. The spring clip 50 and spacer bushing 38 are visible, as well as the cams 22. The cams  
25 are biased into the bore 18 in the position shown by the elastic ring 58. It can be seen how the cams 22 extend almost completely into the center of the bore 18, and would maintain contact with a wire of approximately 0.125 inch diameter while still accommodating a wire of about 1 inch diameter. The grip 10 is thus usable with many sizes of wire.

Turning now to FIG. 3, an end view of the proximal end 14b of the grip 10 is shown. It can be seen how the holes 74 are spaced around the body 14. The holes 74 accommodate wires to attach a Kellum grip to the body 14.

Turning now to FIGs. 4A and 4B, side and end views of the spacer bushing 38 are shown. As discussed, the spacer bushing 38 includes a post 42 which is received in a notch 46 in the body 14 to prevent rotation of the spacer bushing and pivot ring 30 and loss of the cams 22. The spacer ring 38 may also be made with notches 82 which receive the cams 22, allowing a closer fit between the spacer bushing 38 and cams 22.

Turning now to FIG. 5, a side view of the grip 10 combined with a braided wire tube 86 (such as a Kellum grip) is shown. For clarity, many structures shown in the previous figures are not numbered, but are understood to be present in the figure. The Kellum grip 86 includes a plurality of wires 90 which are braided together into a tube as discussed. The wires 90 are laced through the holes 74 (FIG. 1) in the grip 10. The groove 78 keeps the wires 90 from protruding too far radially from the body 14. The wires 90 are typically formed into or connected to a loop 94 which is connected to a pulling line. Thus, the bore or lumen formed by the braided tube of wires does not typically extend completely through the wires 90, but is closed at the proximal end of the wires by the loop 94.

In use, a wire is passed through the distal end 14a of the body 14, passed through the bore 18 (FIG. 1), and is passed through the center of the braided wire grip 86 in the direction of arrow 70. The wire is passed through the center of the braided wires 90. The cams 22, biased by the elastic ring 58, maintain contact with the wire and prevent movement of the wire in the opposite direction. The loop 94 is then connected to a pulling line and the pulling line is used to pull the grip 10 and wire through a conduit. The grip 10 secures the distal end of the Kellum grip 86 to the wire, and both the grip 10 and Kellum grip 86 transmit pulling force to the wire.

When a pull is completed, the grip 10 and Kellum grip 86 are easily removed from the wire. The elastic ring 58 is moved adjacent to the groove 78, allowing the cams 22 to pivot away from the wire. The cams 22 can then freely pivot out of the bore 18. The grip 10 and Kellum grip 86 are simply slid off of the wire in the direction of arrow 70. The grip 10 with Kellum grip 86 is thus advantageous as it is easily and quickly

installed and removed from a wire while being capable of transmitting well over 10,000 pounds of force to the wire. In testing the pulling capability of the grip 10 and Kellum grip 86, the observed mode of failure has been the wires 90 breaking, suggesting that nearly any needed pulling force may be supplied if the wires 90 are sized appropriately.

5           The grip 10 provides an additional level of safety and convenience in use as compared to existing wire pulling grips. There are known wire pulling grips which use teeth mounted in a tubular body to secure and pull a wire. The wire is inserted into the body and the teeth allow for movement of the wire in only one direction. After the pull is completed, the wire must be cut and passed through the body in the direction of loading.  
10       These grips require that the person installing the wire cut the wire, remove a cap/pulling eyelet from the body, pass the cut portion of wire through the body, and reattach the cap before starting another pull. This results in lost time. Additionally, if a person accidentally places a tool or finger inside of the body, the object must be similarly removed. Where a finger is placed in the body, it is quite difficult to remove the finger  
15       without damage to the finger as the teeth prevent withdrawal of the finger. Thus, the grip 10 is much easier to use than available prior art grips.

          Additionally, the combination of the grip 10 and the braided wire tube 86 provides significant advantages over prior art configurations. Where braided wire tubes, such as Kellum grips, are used, the Kellum grip is difficult to use. As has been discussed,  
20       duct tape or the like is typically used to attach the distal end of the Kellum grip to the wire. The duct tape, however, has limited ability to secure the Kellum grip wires to the wire which is being pulled. As a result, the duct tape may allow the Kellum grip to slip off of the wire which is pulled if too high of a pulling force is applied. Additionally, the duct tape will rub against the conduit as the wire is pulled therethrough, which may cause  
25       the leading edge of the tape to roll back and expose the adhesive of the tape. The exposed adhesive will then stick to the conduit and may cause the duct tape to be removed entirely. Either of these situations may result in a loss of connection with the wire which is being pulled through a conduit. Efforts to more securely attach a Kellum grip to the wire take additional setup time and additional time to remove the Kellum grip  
30       from the wire, reducing the working speed and efficiency of the persons installing wire. Thus, the pulling force which is applied to a Kellum type grip is limited, and the use of

the Kellum grip to pull wires has some risk of losing connection with the wire which is being pulled.

The present invention, however, provides significant advantages when a grip 10 is combined with a Kellum type braided wire tube as shown in FIG. 5. As has been  
5 discussed above, the grip 10 provides a secure connection with the wire which will transmit a significant pulling force to the wire. Loss of connection between the grip 10 and the wire is virtually eliminated altogether. Since the grip 10 does not lose connection with the wire, the braided wire grip portion 86 also does not lose connection with the wire. The combined wire pulling grip is thus very reliable as loss of connection with the  
10 wire is virtually eliminated.

Additionally, the combination of grip 10 and braided wire tube 86 transmits a very high degree of force to the wire. While cams and spikes transmit force to a wire at a few points which are close together, the combined grip transmits pulling force to a longer length of the wire at many locations along the wire. Thus, a very high pulling force is  
15 transmitted to the wire without concentrating the force on only a few locations on the wire. Placing the entire pulling force at only a few locations on the wire may result in failure of the wire itself. Testing of the grip 10 and braided wire tube 86 as shown in FIG. 5 has demonstrated that failure of the grip occurs at failure of the individual wires  
20 90 rather than failure of the wire which is pulled or a loss of connection between the wire and the pulling grip. Thus, many thousands of pounds of force are reliably transmitted to the wire which is pulled.

The grip 10 and braided wire tube 86 is also significantly easier to use than previous wire pulling grips. Previous wire pulling grips have required a significant amount of work to install and remove the grip from the wire, and often result in a loss in  
25 productivity. Thus, while prior art designs have been a tradeoff between ease of use and reliability/pulling strength, the pulling grip of the present invention maximizes pulling strength and reliability while being extremely quick and easy to use.

There is thus disclosed an improved wire pulling grip. It will be appreciated that numerous changes may be made to the present invention without departing from the  
30 scope of the claims.

**CLAIMS**

What is claimed is:

1. A wire pulling grip comprising:

a body having a bore through which a wire may be passed;

5 a plurality of cams pivotably attached to the body, the plurality of cams being pivotable relative to the body between a first position where the plurality of cams extends into the bore of the body so as to contact the wire when the wire is inserted in a first direction into the bore of the body and a second position where the plurality of cams extends outwardly from the body so as to release the wire to allow the wire to be withdrawn from the bore of the body in a  
10 second direction opposite the first direction; and

a biasing element which biases the plurality of cams into the first position.

2. The wire pulling grip of claim 1, wherein the biasing element is selectively movable between a first position adjacent the plurality of cams wherein the biasing element biases the  
15 plurality of cams into the bore and a second position away from the plurality of cams wherein the biasing element does not bias the plurality of cams.

3. The wire pulling grip of claim 1, wherein the biasing element is a ring which extends around the outside of the body and contacts the plurality of cams.  
20

4. The wire pulling grip of claim 1, wherein the biasing element is disposed on an exterior portion of the body which is tapered so as to slope towards a pivot of the plurality of cams.

25 5. The wire pulling grip of claim 1, further comprising a tube formed of a plurality of inter-woven wires, the tube comprising:

a first end attached to the body such that the wire may be passed through the body and into a lumen defined by the tube; and

a second end attachable to a pulling line.  
30

6. The wire pulling grip of claim 1, wherein the body further comprises a plurality of slots formed therein, and wherein each of the plurality of cams is disposed in one of the plurality of slots, and wherein the plurality of cams are pivotable so as to pass through the plurality of slots.

5

7. The wire pulling grip of claim 6, wherein the biasing element extends around the exterior of the body and contacts the plurality of cams.

8. The wire pulling grip of claim 1, wherein the plurality of cams is disposed radially about a single point along the length of the body.

9. A wire pulling grip comprising:

a generally tubular body having a bore therethrough;

a plurality of cams pivotably mounted to the generally tubular body, the plurality of cams being pivotable relative to the generally tubular body between a first position where the plurality of cams extend into the bore of the generally tubular body so as to contact a wire when the wire is inserted in a first direction into the bore of the generally tubular body and a second position where the plurality of cams extend outwardly from the generally tubular body so as to release the wire to allow the wire to be withdrawn from the bore of the generally tubular body in a second direction opposite the first direction;

a biasing element for biasing the plurality of cams towards the center of the bore;  
and

a plurality of cables attached to an end of the generally tubular body, the plurality of cables being woven together so as to form a tube having a bore, and wherein the bore of the generally tubular body is in communication with the bore through the tube.

10. The wire pulling grip of claim 9, wherein the biasing element is movable between a first position wherein the biasing element contacts the plurality of cams to apply a biasing force to the plurality of cams and a second position wherein the biasing element does not contact the plurality of cams.

30

11. The wire pulling grip of claim 10, wherein the biasing element is disposed around the exterior of the generally tubular body.

5 12. The wire pulling grip of claim 11, wherein the biasing element is disposed around a portion of the generally tubular body which is tapered such that the biasing element reduces in size as it moves axially towards the plurality of cams.

10 13. The wire pulling grip of claim 9, wherein each of the plurality of cams is disposed in a slot formed through the generally tubular body and wherein the biasing element extends around the generally tubular body so as to contact the plurality of cams.

14. The wire pulling grip of claim 9, wherein the plurality of cams is pivotable to a position where the plurality of cams do not project inwardly into the bore.

15 15. The wire pulling grip of claim 9, wherein the plurality of cams is spaced out radially about a single point along the length of the generally tubular body.

20 16. The wire pulling grip of claim 9, further comprising a loop for connecting the wire pulling grip to a pulling line, the loop being disposed at an end of the tube opposite the generally tubular body.

17. The wire pulling grip of claim 16, wherein the loop is formed from a proximal end of the plurality of cables.

18. A wire pulling grip comprising:

25 a body having a bore therethrough;

a plurality of cams pivotably attached to the body, the plurality of cams being pivotable relative to the body between a first position where the plurality of cams extends into the bore of the body and a second position where the plurality of cams extend outwardly from the body; and

30 a biasing element for biasing the plurality of cams towards the bore of the body, wherein the biasing element is selectively movable between a first position adjacent the plurality

of cams to contact and apply a force to the plurality of cams to bias the plurality of cams into the bore of the body and a second position away from the plurality of cams so that the biasing element does not contact the plurality of cams and does not apply the force to the plurality of cams.

5

19. The wire pulling grip of claim 18, further comprising a tube formed of woven wires attached to the body, the tube defining a lumen which is aligned with the bore of the body.

20. The wire pulling grip of claim 18, wherein the biasing element is disposed around an  
10 exterior of the body.

1/5

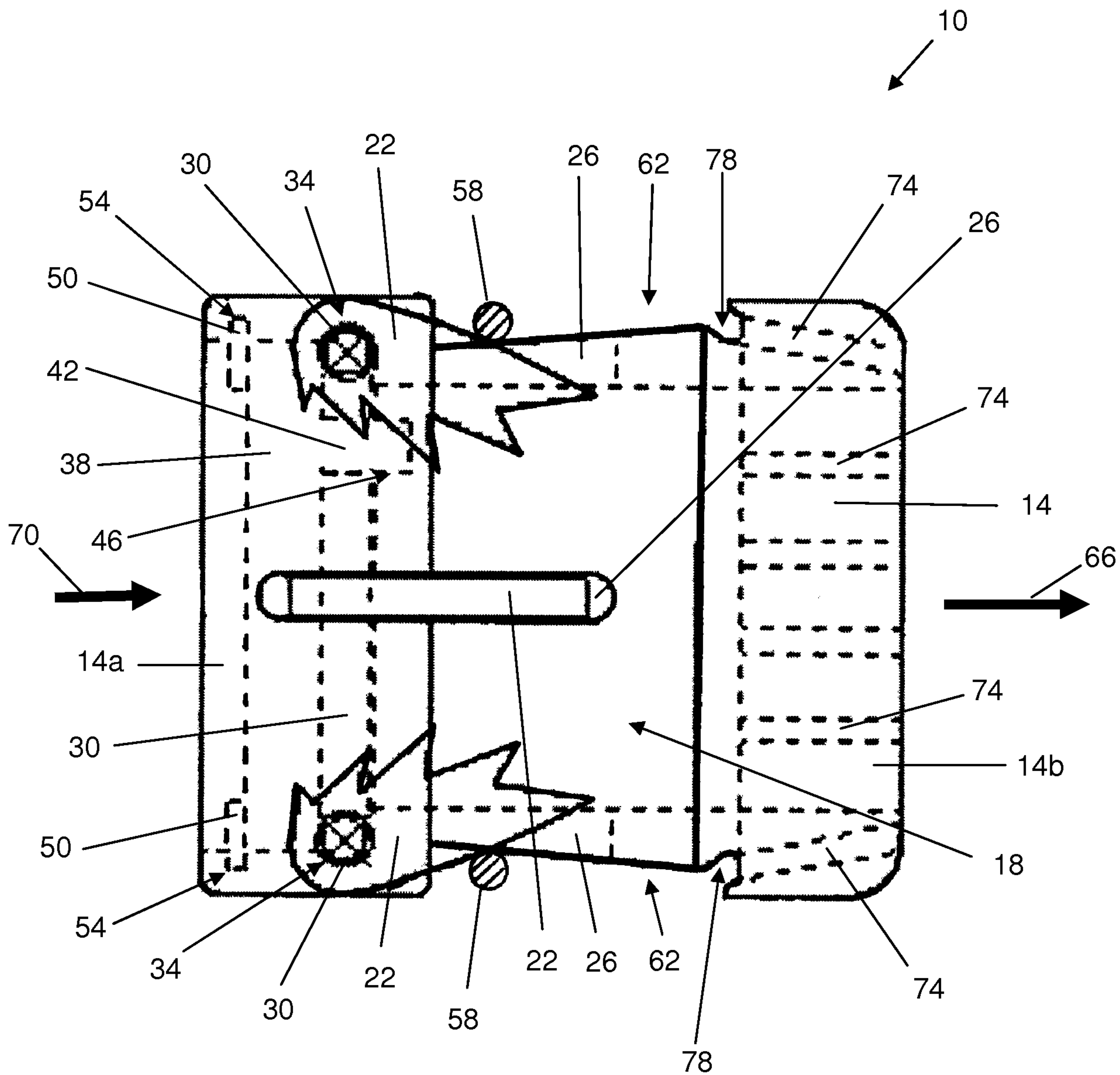


FIG. 1

2/5

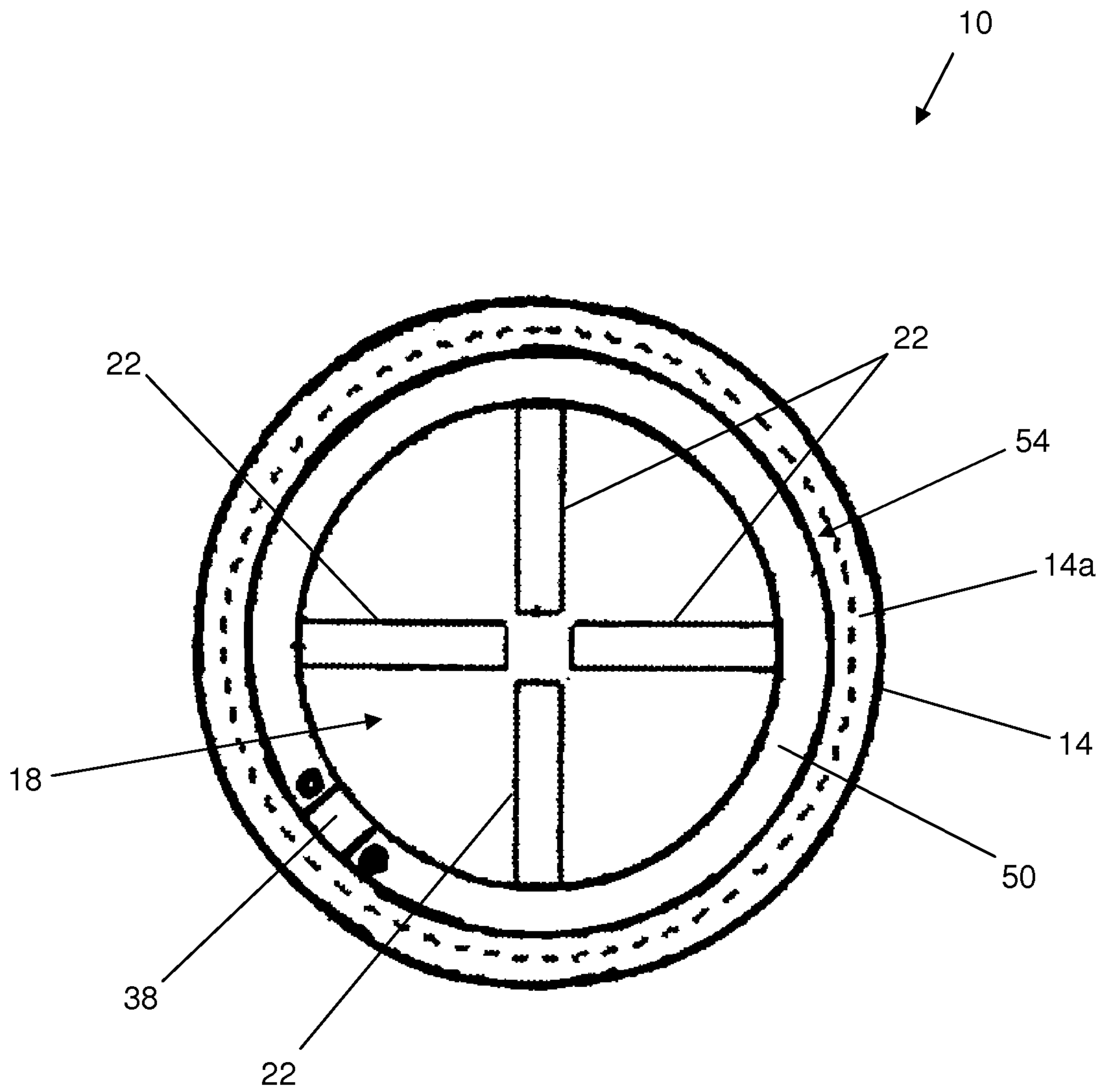


FIG. 2

3/5

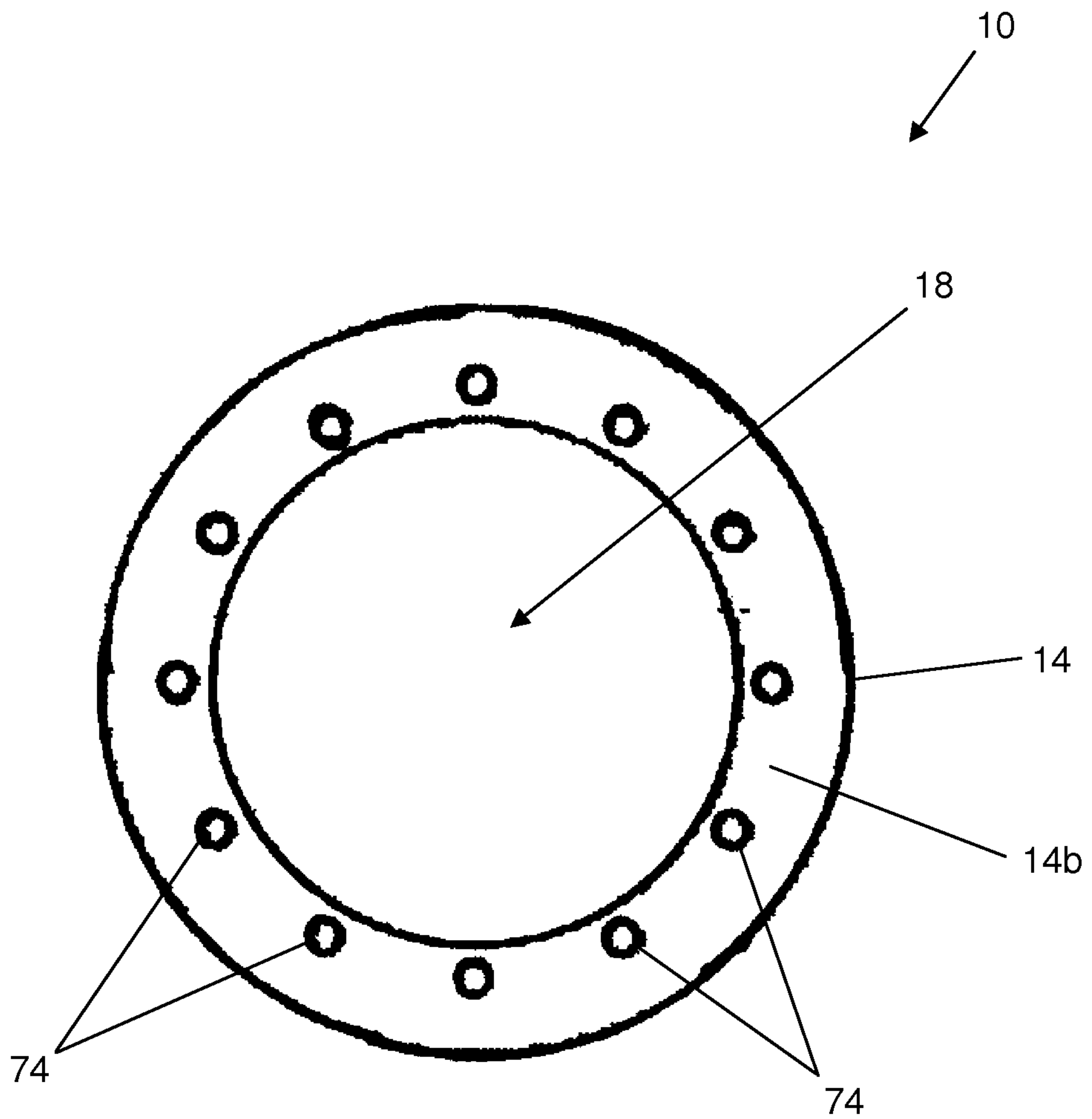


FIG. 3

4/5

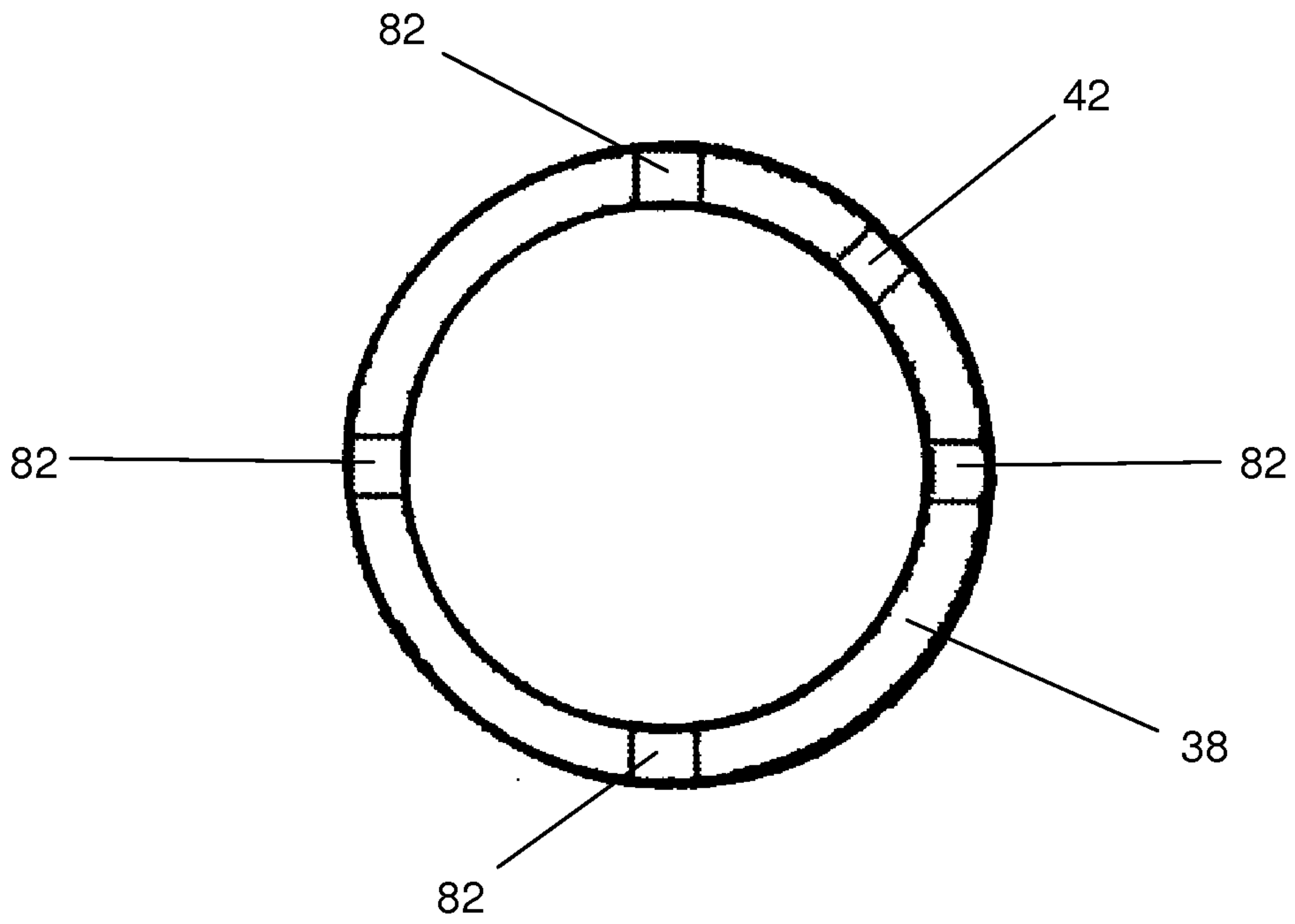


FIG. 4A

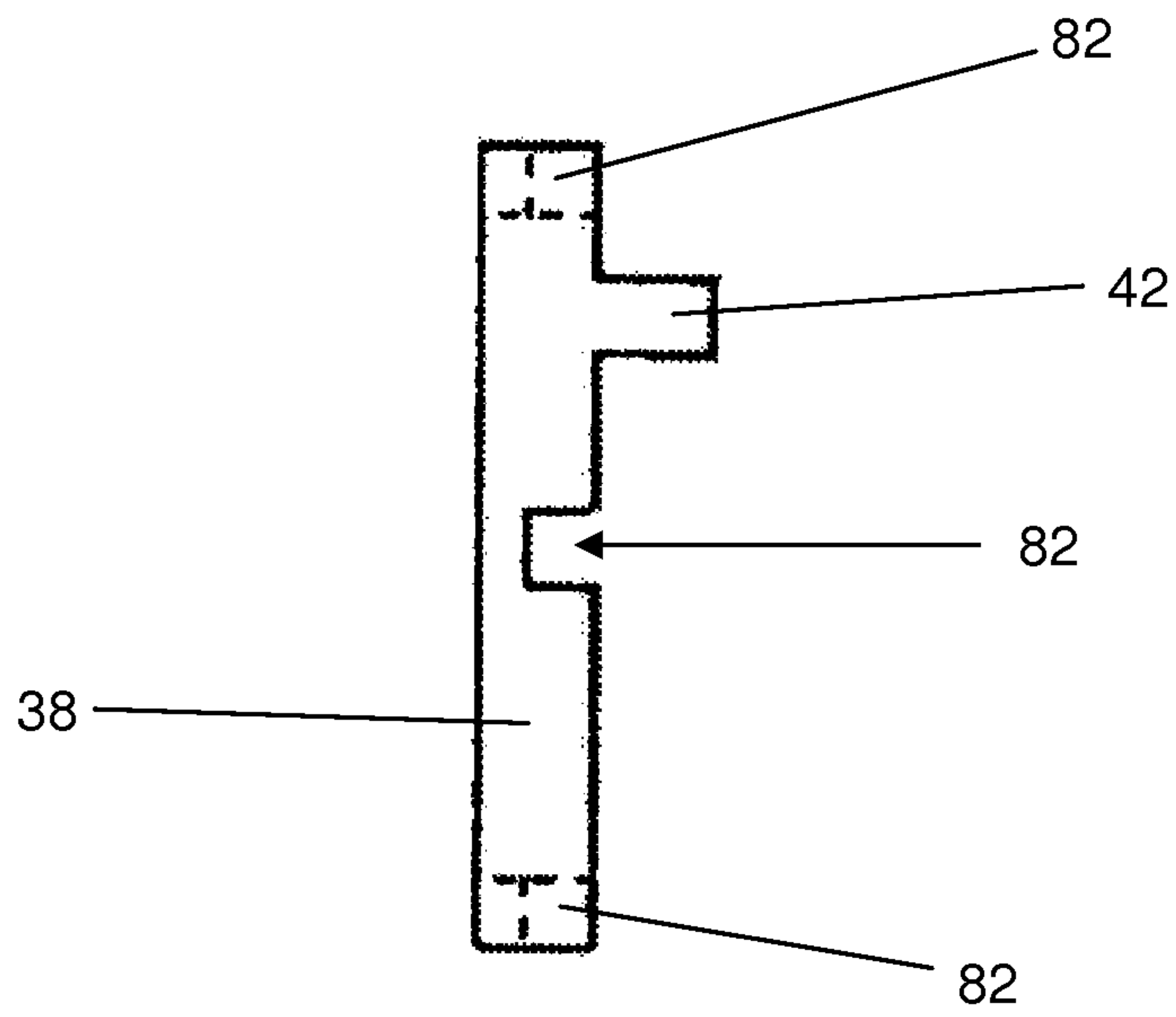


FIG. 4B

5/5

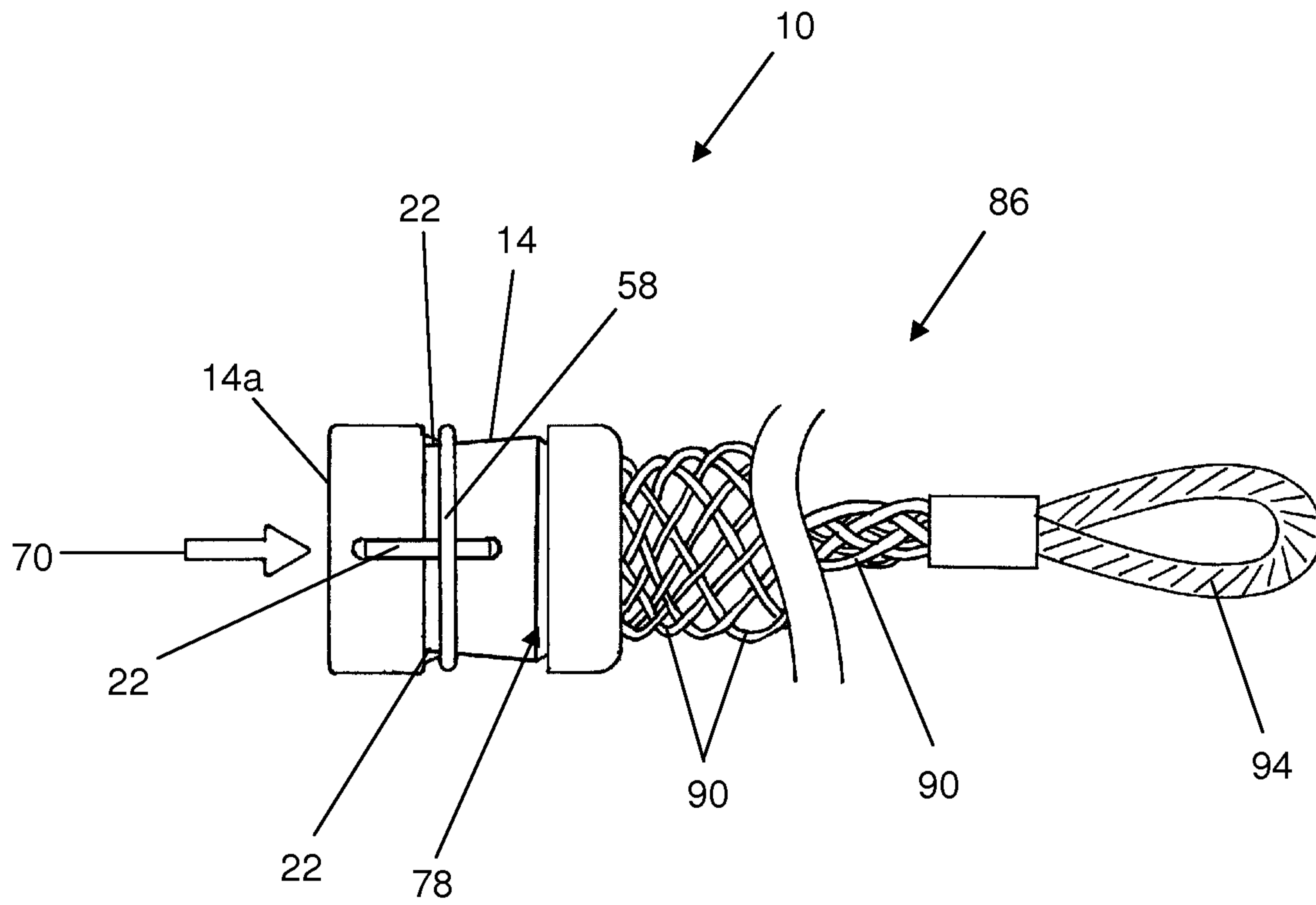
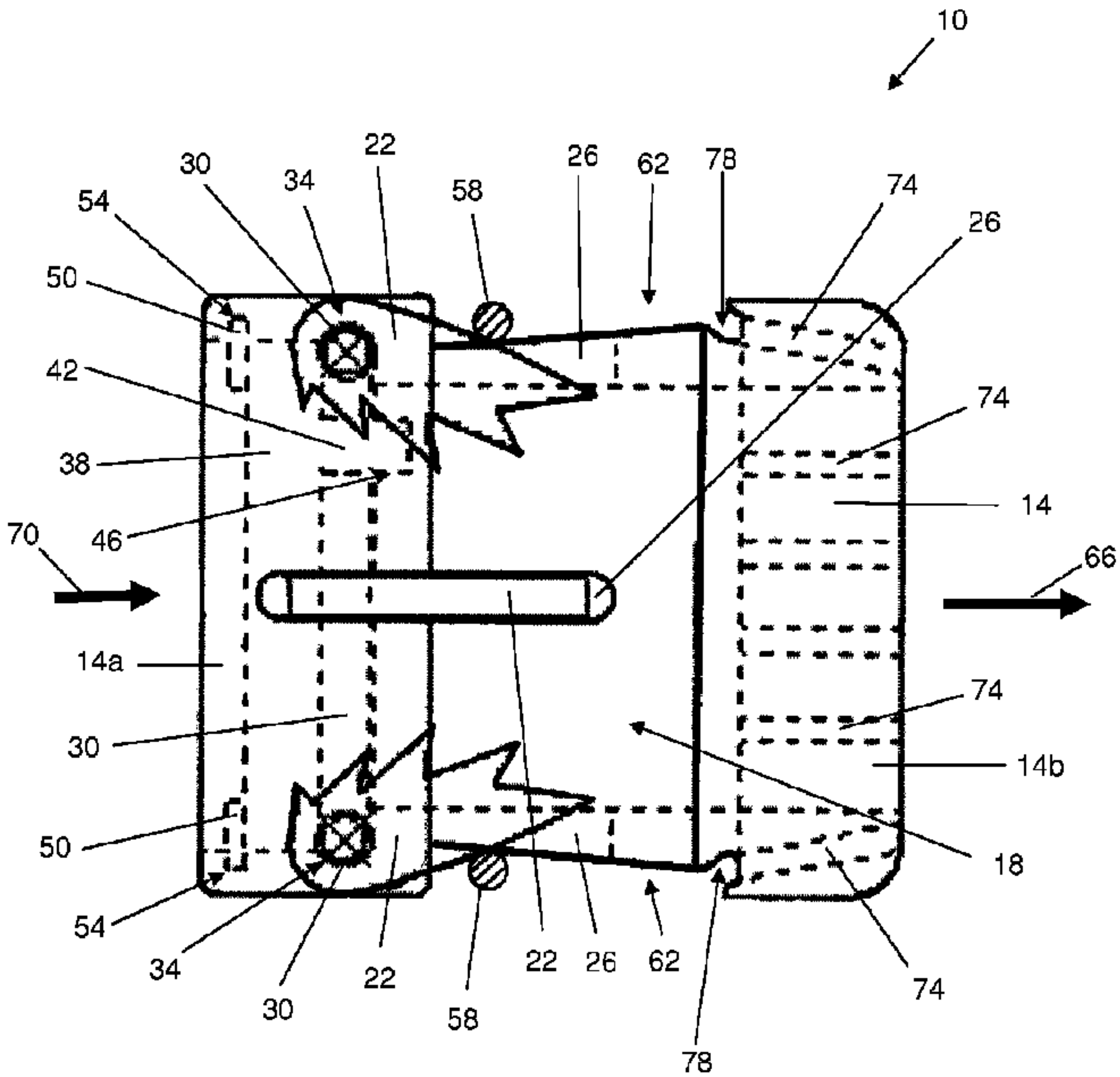


FIG. 5



**FIG. 1**