



US0D1034483S

(12) **United States Design Patent**  
**Noble et al.**

(10) **Patent No.:** **US D1,034,483 S**  
(45) **Date of Patent:** **\*\* Jul. 9, 2024**

(54) **FUSE HOLDER**

(71) Applicant: **Astec International Limited**, Kowloon (HK)

(72) Inventors: **Austin M. Noble**, Eden Prairie, MN (US); **Robert H. Kippley**, Eden Prairie, MN (US)

(73) Assignee: **Astec International Limited**, Kowloon (HK)

(\*\*) Term: **15 Years**

(21) Appl. No.: **29/864,398**

(22) Filed: **May 25, 2022**

(51) **LOC (14) CL.** ..... **13-03**

(52) **U.S. CL.**  
USPC ..... **D13/160**

(58) **Field of Classification Search**  
USPC ..... D13/158, 160, 161, 182, 184, 199  
CPC .. H01H 85/20; H01H 85/202; H01H 85/2015;  
H01H 37/76; H01H 2085/0414; H01R  
13/688; H01R 13/684  
See application file for complete search history.

(56) **References Cited**

**U.S. PATENT DOCUMENTS**

1,537,296	A *	5/1925	Gearhart	.....	H01H 85/20 337/201
D257,559	S *	11/1980	Myles	.....	D13/161
D298,123	S *	10/1988	Beard	.....	D13/161
5,167,541	A *	12/1992	Alves	.....	H01R 4/36 337/186
D406,569	S *	3/1999	Awbrey	.....	D13/161
D442,148	S *	5/2001	Renne	.....	D13/178
D490,381	S *	5/2004	Dejan	.....	D13/178
D525,210	S *	7/2006	Disbennett	.....	D13/161
7,942,706	B1 *	5/2011	McSweyn	.....	H01R 9/2483 439/798

9,325,122	B1 *	4/2016	Goyal	.....	H01R 43/20
2013/0109236	A1 *	5/2013	von zur Muehlen	.....	H01H 85/202 439/620.26
2016/0055987	A1 *	2/2016	Brakefield	.....	H01H 85/20 337/186

(Continued)

**FOREIGN PATENT DOCUMENTS**

CN	305851180	*	6/2020
CN	305886663	*	6/2020
CN	306174977	*	11/2020

(Continued)

**OTHER PUBLICATIONS**

PDM-AMI4-DDDDC 4 Position Sealed Fuse Holder, Posted Date Mar. 26, 2023 [online], [Retrieved Aug. 24, 2023], Retrieved from internet, <https://spemco.com/pdm-ami4-ddddc-4-position-sealed-fuse-holder-water-proof-fuses-included/> (Year: 2023).\*

*Primary Examiner* — Leanne Was-Englehart

*Assistant Examiner* — Devin Kelly

(57)

**CLAIM**

The ornamental design for a fuse holder, as shown and described.

**DESCRIPTION**

FIG. 1 is a front top perspective view of a fuse holder showing our new design.

FIG. 2 is a front view thereof.

FIG. 3 is a back view thereof.

FIG. 4 is a left side view thereof.

FIG. 5 is a right side view thereof.

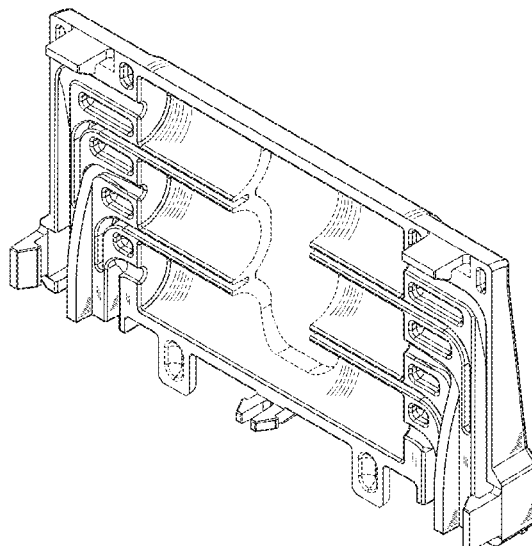
FIG. 6 is a top view thereof.

FIG. 7 is a bottom view thereof; and,

FIG. 8 is a back top perspective view thereof.

The broken lines illustrated in the drawings depict portions of the fuse holder that form no part of the claimed design.

**1 Claim, 6 Drawing Sheets**



(56)

**References Cited**

U.S. PATENT DOCUMENTS

2016/0284501 A1\* 9/2016 Zhou ..... H01H 85/055

FOREIGN PATENT DOCUMENTS

CN	306991917	* 12/2021
KR	300777680	* 12/2014

\* cited by examiner

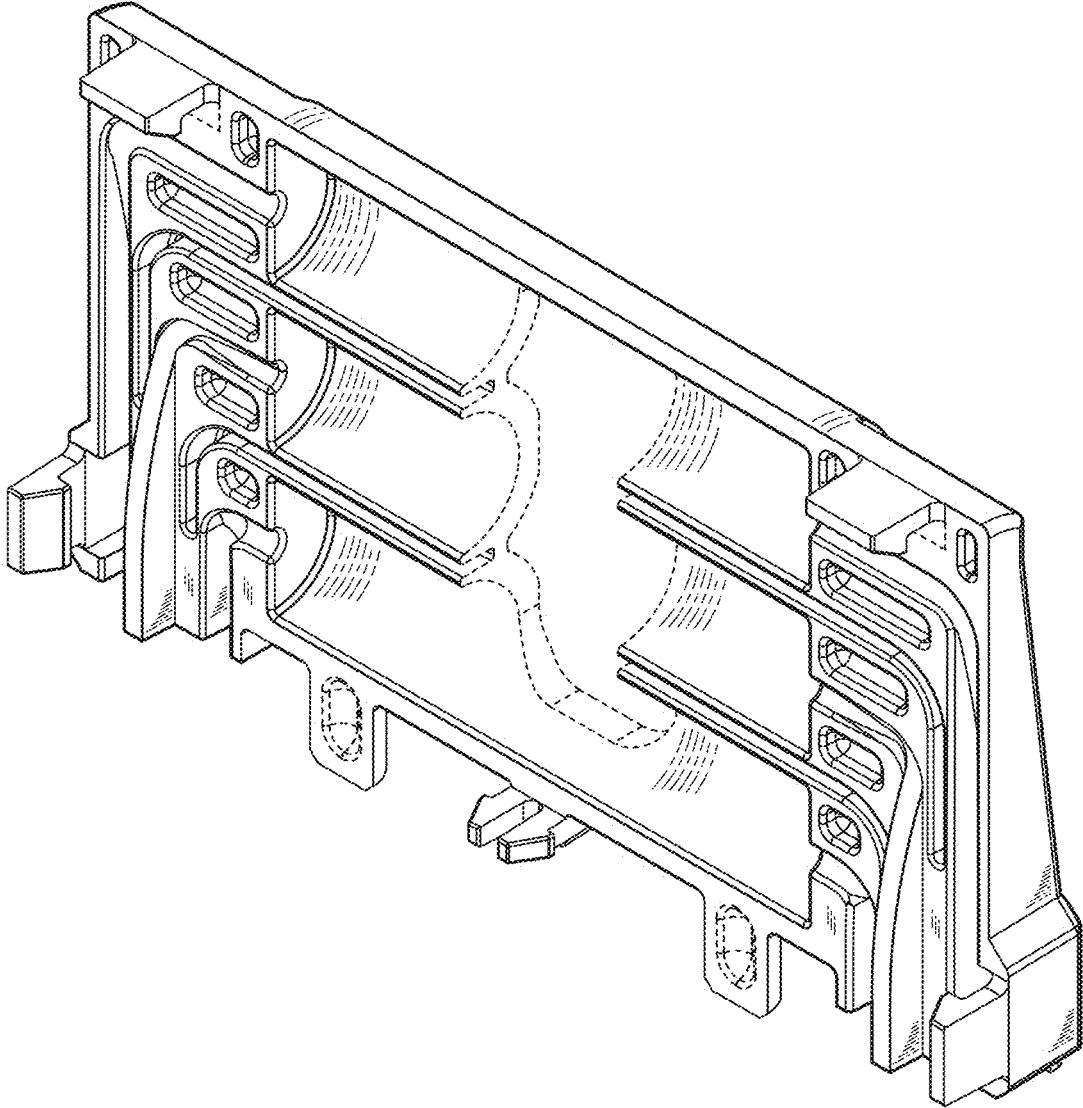


FIG. 1

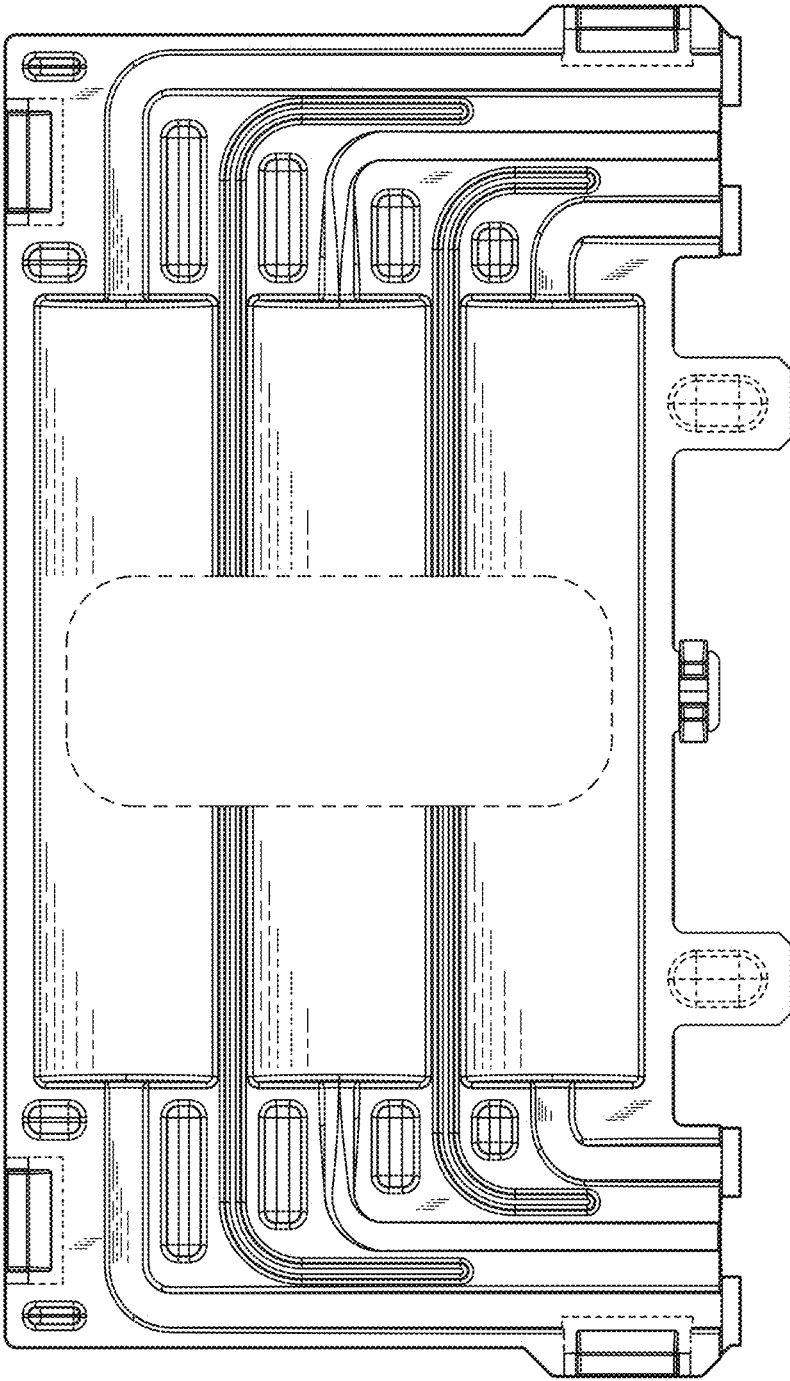


FIG. 2

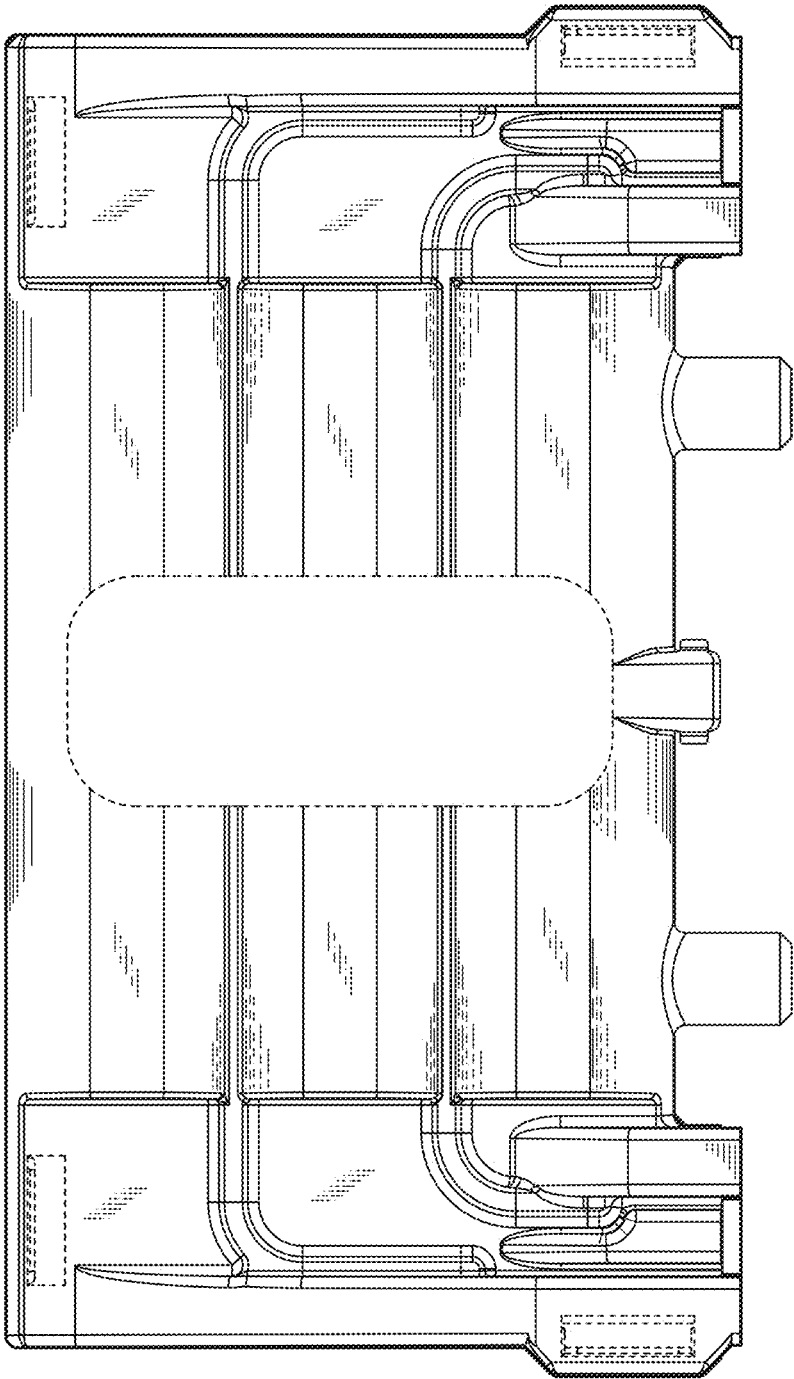


FIG. 3

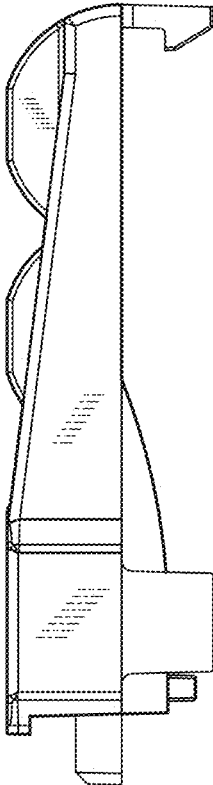


FIG. 4

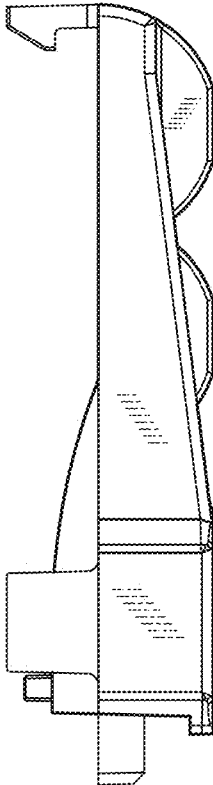


FIG. 5

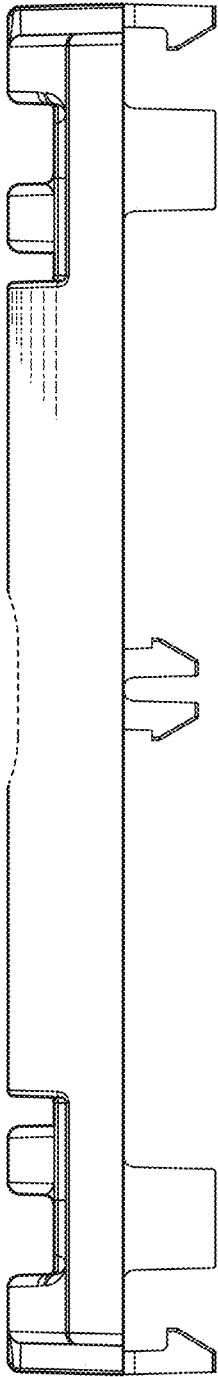


FIG. 6

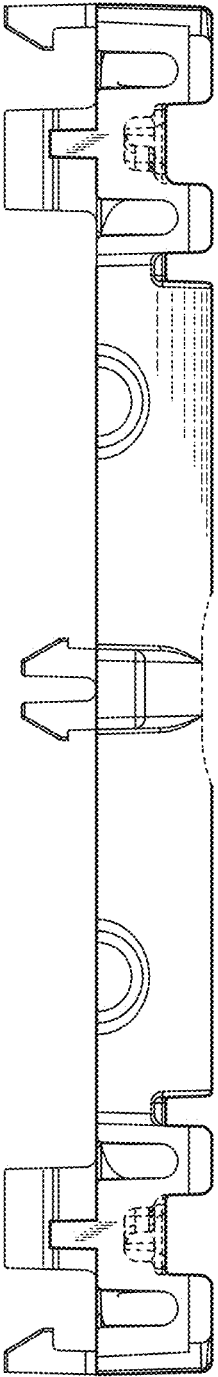


FIG. 7

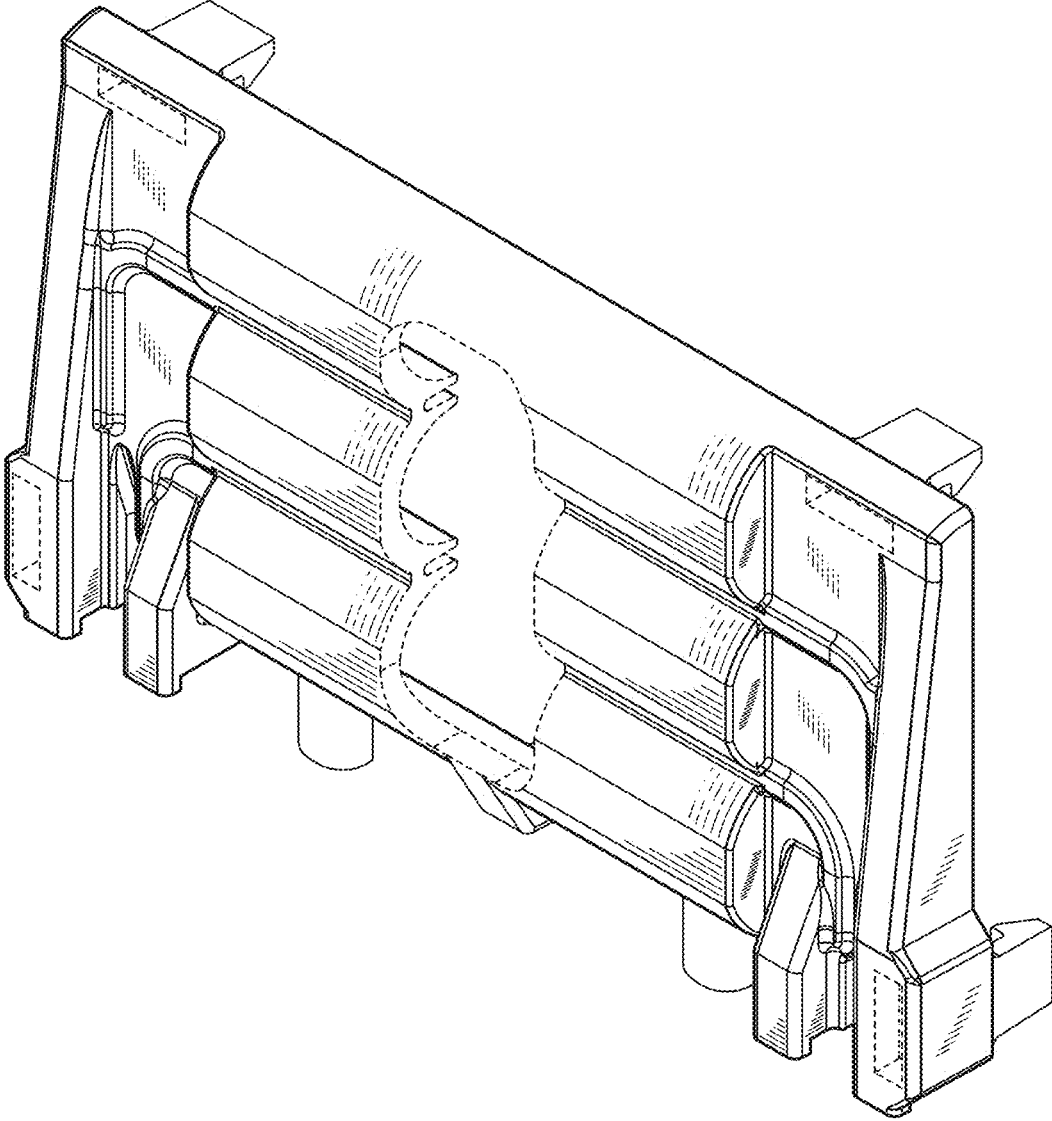


FIG. 8