

(19) World Intellectual Property Organization  
International Bureau



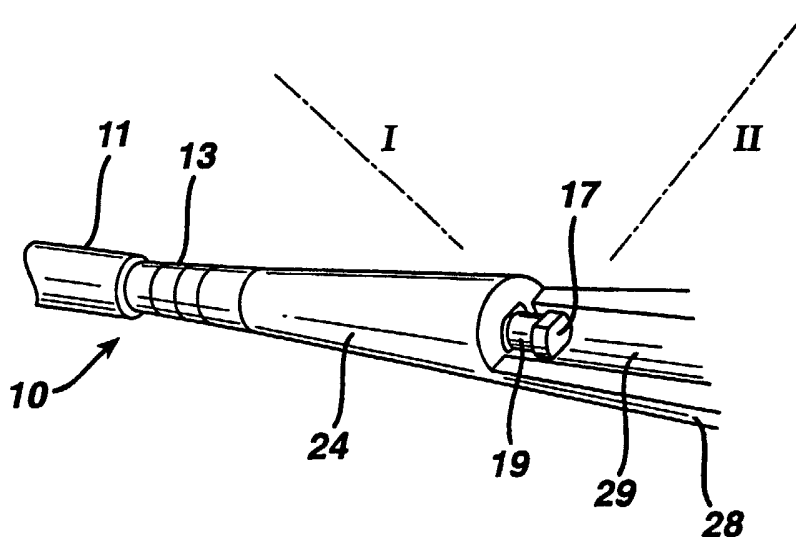
(43) International Publication Date  
2 May 2002 (02.05.2002)

PCT

(10) International Publication Number  
WO 02/034124 A3

- (51) International Patent Classification<sup>7</sup>: A61B 17/04
- (21) International Application Number: PCT/EP01/11988
- (22) International Filing Date: 16 October 2001 (16.10.2001)
- (25) Filing Language: English
- (26) Publication Language: English
- (30) Priority Data:  
60/242,271 20 October 2000 (20.10.2000) US  
09/956,363 19 September 2001 (19.09.2001) US
- (71) Applicant: ETHICON GMBH [DE/DE]; Robert-Koch-Strasse 1, 22851 Norderstedt (DE).
- (72) Inventor: LANDGREBE, Susanne; Zuckerhut 3, 23867 Stüllfeld (DE).
- (74) Agents: BOTH, Georg et al.; Uexküll & Stolberg, Beselerstrasse 4, 22607 Hamburg (DE).
- (81) Designated States (*national*): AE, AG, AL, AM, AT, AU, AZ, BA, BB, BG, BR, BY, BZ, CA, CH, CN, CO, CR, CU, CZ, DE, DK, DM, DZ, EE, ES, FI, GB, GD, GE, GH, GM, HR, HU, ID, IL, IN, IS, JP, KE, KG, KP, KR, KZ, LC, LK, LR, LS, LT, LU, LV, MA, MD, MG, MK, MN, MW, MX, MZ, NO, NZ, PL, PT, RO, RU, SD, SE, SG, SI, SK, SL, TJ, TM, TR, TT, TZ, UA, UG, UZ, VN, YU, ZA, ZW.
- (84) Designated States (*regional*): ARIPO patent (GH, GM, KE, LS, MW, MZ, SD, SL, SZ, TZ, UG, ZW), Eurasian patent (AM, AZ, BY, KG, KZ, MD, RU, TJ, TM), European patent (AT, BE, CH, CY, DE, DK, ES, FI, FR, GB, GR, IE, IT, LU, MC, NL, PT, SE, TR), OAPI patent (BF, BJ, CF, CG, CI, CM, GA, GN, GQ, GW, ML, MR, NE, SN, TD, TG).
- Published:  
— with international search report
- (88) Date of publication of the international search report:  
14 November 2002
- For two-letter codes and other abbreviations, refer to the "Guidance Notes on Codes and Abbreviations" appearing at the beginning of each regular issue of the PCT Gazette.*

(54) Title: SYSTEM WITH A SURGICAL NEEDLE AND A HANDLE



(57) Abstract: In a system with a surgical needle (10) and a handle (20), the surgical needle (10), in its proximal end region opposite the needle tip, comprises a support section which is adapted to be pushed in the handle (20). The handle (20) includes a lumen adapted to support the support section of the surgical needle (10) and a locking means (30, 26), which can be adjusted from a locking position, in which the support section is secured to the handle (20), to a release position, in which the support section can be pulled out of the lumen.



WO 02/034124 A3

INTERNATIONAL SEARCH REPORT

Int'l Application No  
PCT/EP 01/11988

**A. CLASSIFICATION OF SUBJECT MATTER**  
IPC 7 A61B17/04

According to International Patent Classification (IPC) or to both national classification and IPC

**B. FIELDS SEARCHED**

Minimum documentation searched (classification system followed by classification symbols)  
IPC 7 A61B

Documentation searched other than minimum documentation to the extent that such documents are included in the fields searched

Electronic data base consulted during the international search (name of data base and, where practical, search terms used)

EPO-Internal

**C. DOCUMENTS CONSIDERED TO BE RELEVANT**

Category °	Citation of document, with indication, where appropriate, of the relevant passages	Relevant to claim No.
X	US 5 474 565 A (TROTT A FRANK) 12 December 1995 (1995-12-12)	1-4, 10-15, 17, 18
A	column 3, line 7 -column 5, line 30; figures	5-9
X	US 5 323 765 A (BROWN MICHAEL G) 28 June 1994 (1994-06-28)	1
Y	figures 20-22	2-5, 10-18, 22
Y	US 5 899 909 A (ULMSTEN ULF ET AL) 4 May 1999 (1999-05-04) cited in the application column 2, line 58 -column 3, line 40; figures 1-3	2-5, 10-18, 22
	-/--	

Further documents are listed in the continuation of box C.

Patent family members are listed in annex.

° Special categories of cited documents :

- \*A\* document defining the general state of the art which is not considered to be of particular relevance
- \*E\* earlier document but published on or after the international filing date
- \*L\* document which may throw doubts on priority claim(s) or which is cited to establish the publication date of another citation or other special reason (as specified)
- \*O\* document referring to an oral disclosure, use, exhibition or other means
- \*P\* document published prior to the international filing date but later than the priority date claimed

- \*T\* later document published after the international filing date or priority date and not in conflict with the application but cited to understand the principle or theory underlying the invention
- \*X\* document of particular relevance; the claimed invention cannot be considered novel or cannot be considered to involve an inventive step when the document is taken alone
- \*Y\* document of particular relevance; the claimed invention cannot be considered to involve an inventive step when the document is combined with one or more other such documents, such combination being obvious to a person skilled in the art.
- \*&\* document member of the same patent family

Date of the actual completion of the international search

12 July 2002

Date of mailing of the international search report

06/08/2002

Name and mailing address of the ISA

European Patent Office, P.B. 5818 Patentlaan 2  
NL - 2280 HV Rijswijk  
Tel. (+31-70) 340-2040, Tx. 31 651 epo nl,  
Fax: (+31-70) 340-3016

Authorized officer

Péru, L

INTERNATIONAL SEARCH REPORT

Int. Application No  
PCT/EP 01/11988

C.(Continuation) DOCUMENTS CONSIDERED TO BE RELEVANT

Category *	Citation of document, with indication, where appropriate, of the relevant passages	Relevant to claim No.
<p>X A</p>	<p>US 6 030 393 A (CORLEW EARVIN L) 29 February 2000 (2000-02-29) column 3, line 6 - line 44; figure 1</p> <p style="text-align: center;">-----</p>	<p>1 2-4, 10, 13-15, 17, 18, 22</p>

# INTERNATIONAL SEARCH REPORT

national application No.  
PCT/EP 01/11988

## Box I Observations where certain claims were found unsearchable (Continuation of item 1 of first sheet)

This International Search Report has not been established in respect of certain claims under Article 17(2)(a) for the following reasons:

1.  Claims Nos.: 19-21, 23-24  
because they relate to subject matter not required to be searched by this Authority, namely:  
Rule 39.1(iv) PCT - Method for treatment of the human or animal body by surgery
2.  Claims Nos.:  
because they relate to parts of the International Application that do not comply with the prescribed requirements to such an extent that no meaningful International Search can be carried out, specifically:
3.  Claims Nos.:  
because they are dependent claims and are not drafted in accordance with the second and third sentences of Rule 6.4(a).

## Box II Observations where unity of invention is lacking (Continuation of item 2 of first sheet)

This International Searching Authority found multiple inventions in this international application, as follows:

see additional sheet

1.  As all required additional search fees were timely paid by the applicant, this International Search Report covers all searchable claims.
2.  As all searchable claims could be searched without effort justifying an additional fee, this Authority did not invite payment of any additional fee.
3.  As only some of the required additional search fees were timely paid by the applicant, this International Search Report covers only those claims for which fees were paid, specifically claims Nos.:
4.  No required additional search fees were timely paid by the applicant. Consequently, this International Search Report is restricted to the invention first mentioned in the claims; it is covered by claims Nos.:

Remark on Protest

The additional search fees were accompanied by the applicant's protest.

No protest accompanied the payment of additional search fees.

**FURTHER INFORMATION CONTINUED FROM PCT/ISA/ 210**

This International Searching Authority found multiple (groups of) inventions in this international application, as follows:

1. Claims: 1-18,22

Handle for needle

1.1. Claims: 2-14,18

with a needle with circular and non circular cross-sections

1.2. Claims: 15-17

with a needle with non-circular cross-section and attaching part

1.3. Claim : 22

with curved needle and tape

Please note that all inventions mentioned under item 1, although not necessarily linked by a common inventive concept, could be searched without effort justifying an additional fee.

# INTERNATIONAL SEARCH REPORT

Information on patent family members

International Application No  
PCT/EP 01/11988

Patent document cited in search report	Publication date	Patent family member(s)	Publication date
US 5474565	A	12-12-1995	US 5312422 A 17-05-1994
US 5323765	A	28-06-1994	AU 3235193 A 28-06-1993 WO 9310704 A1 10-06-1993
US 5899909	A	04-05-1999	SE 503271 C2 29-04-1996 SE 506164 C2 17-11-1997 AU 697010 B2 24-09-1998 AU 3402495 A 22-03-1996 CA 2198778 A1 07-03-1996 CN 1161640 A , B 08-10-1997 DE 69519737 D1 01-02-2001 DE 69519737 T2 19-04-2001 DK 778749 T3 05-02-2001 EP 0778749 A1 18-06-1997 ES 2152423 T3 01-02-2001 JP 10506803 T 07-07-1998 SE 9402872 A 01-03-1996 WO 9606567 A1 07-03-1996 AU 704712 B2 29-04-1999 AU 7350296 A 30-04-1997 CA 2231155 A1 17-04-1997 CN 1200658 A 02-12-1998 DE 69618650 D1 28-02-2002 DK 854691 T3 22-04-2002 EP 1151722 A2 07-11-2001 EP 1159921 A2 05-12-2001 EP 0854691 A1 29-07-1998 JP 11514266 T 07-12-1999 JP 3229327 B2 19-11-2001 RU 2161916 C2 20-01-2001 SE 9503512 A 10-04-1997 WO 9713465 A1 17-04-1997
US 6030393	A	29-02-2000	NONE