



US00D711715S

(12) **United States Design Patent**  
**Takahashi et al.**

(10) **Patent No.:** **US D711,715 S**

(45) **Date of Patent:** **\*\* Aug. 26, 2014**

(54) **PORTABLE ELECTRIC BAND SAW**

(71) Applicant: **Makita Corporation**, Anjo (JP)

(72) Inventors: **Koji Takahashi**, Anjo (JP); **Fuzhi Zhang**, Jiangsu (CN)

(73) Assignee: **Makita Corporation**, Anjo-shi (JP)

(\*\*) Term: **14 Years**

(21) Appl. No.: **29/462,856**

(22) Filed: **Aug. 9, 2013**

(30) **Foreign Application Priority Data**

Feb. 18, 2013 (JP) ..... 2013-003213

(51) **LOC (10) Cl.** ..... **08-03**

(52) **U.S. Cl.**  
USPC ..... **D8/64**

(58) **Field of Classification Search**  
USPC ..... D8/64; D15/138, 134, 133; 83/818,  
83/816, 788, 824; 30/380, 274, 166.3  
See application file for complete search history.

(56) **References Cited**

**U.S. PATENT DOCUMENTS**

3,658,102 A \* 4/1972 Joosten ..... 30/373  
4,001,937 A \* 1/1977 Stelljes et al. .... 30/380  
D248,085 S \* 6/1978 Stelljes et al. .... D8/64  
4,823,666 A \* 4/1989 Galloway ..... 83/788  
D316,507 S \* 4/1991 Fushiya et al. .... D8/64  
D345,171 S \* 3/1994 Watanabe et al. .... D15/134

6,829,830 B2 \* 12/2004 O'Banion ..... 30/371  
D530,580 S \* 10/2006 Hayakawa et al. .... D8/64  
D545,656 S \* 7/2007 Welsh ..... D8/64  
D546,153 S \* 7/2007 Hayakawa et al.  
D571,175 S \* 6/2008 Wright ..... D8/64  
8,104,182 B2 \* 1/2012 Shibata et al. .... 30/380  
2004/0139835 A1 \* 7/2004 Wright et al. .... 83/788  
2004/0158996 A1 \* 8/2004 McIntosh ..... 30/380  
2005/0188550 A1 \* 9/2005 Uehlein-Proctor et al. .... 30/380

\* cited by examiner

*Primary Examiner* — Austin Murphy

(74) *Attorney, Agent, or Firm* — Posz Law Group, PLC

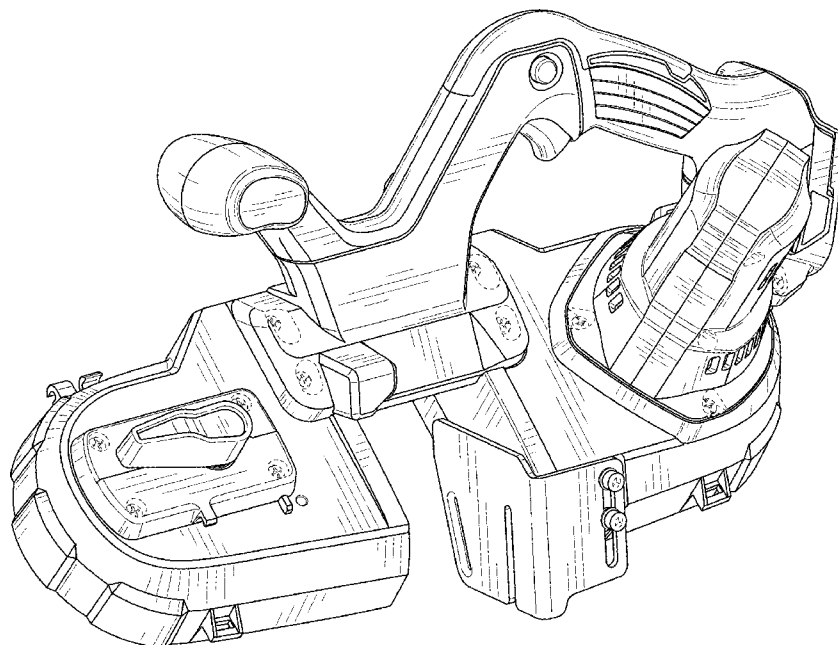
(57) **CLAIM**

The ornamental design for a portable electric band saw, as shown and described.

**DESCRIPTION**

FIG. 1 is a perspective view of top, front, and left side of a portable electric band saw showing our new design; FIG. 2 is a front view thereof; FIG. 3 is a rear view thereof; FIG. 4 is a right side view thereof; FIG. 5 is a left side view thereof; FIG. 6 is a top view thereof; FIG. 7 is a bottom view thereof; and FIG. 8 is a perspective view of bottom, rear, and right side view thereof; and, FIG. 9 is an alternate perspective view of the portable electric band saw of FIG. 1 shown in an environment of use. The broken lines and the areas within the broken lines are included for the purpose of illustrating portions of the "article" and form no part of the claimed design.

**1 Claim, 9 Drawing Sheets**



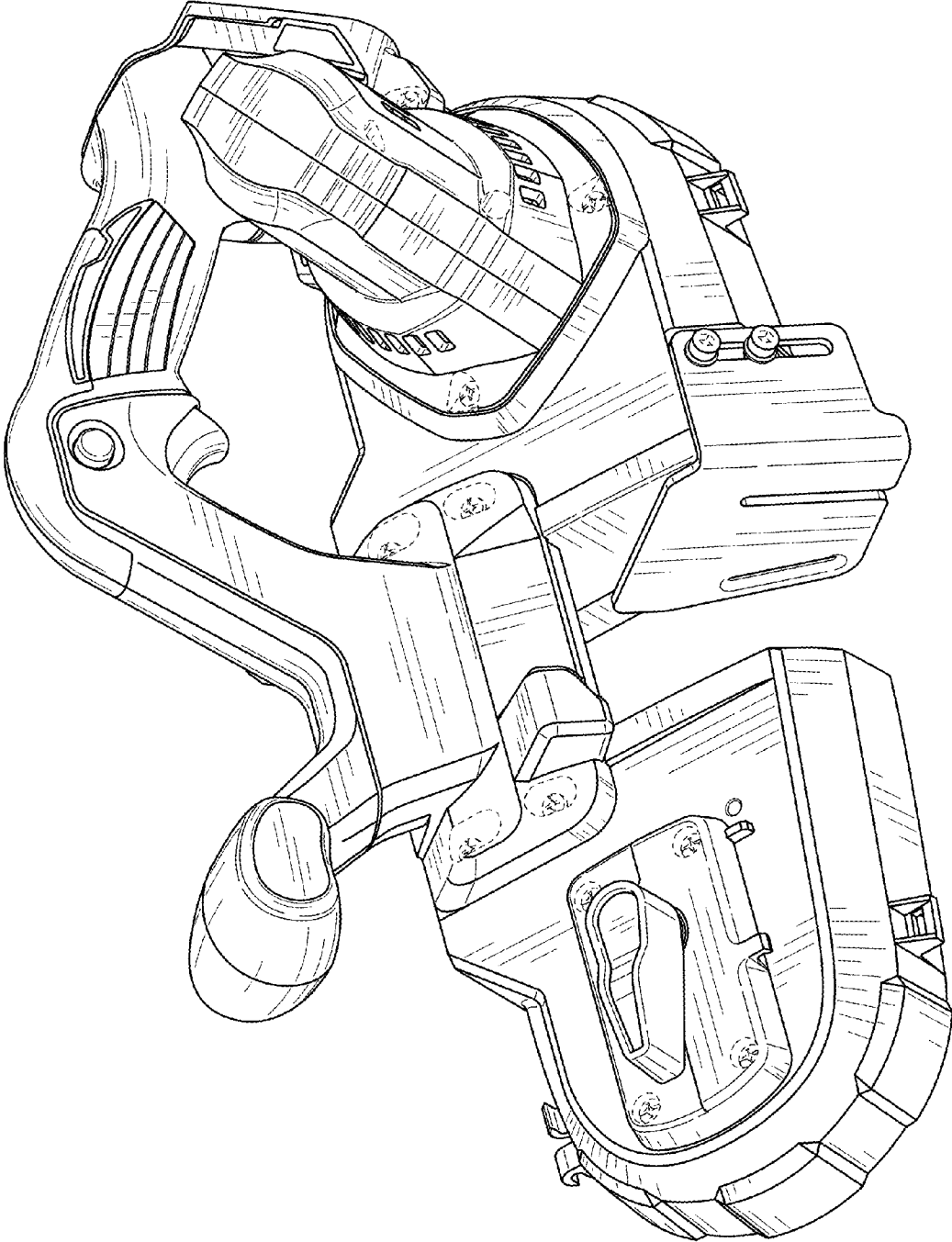


FIG. 1

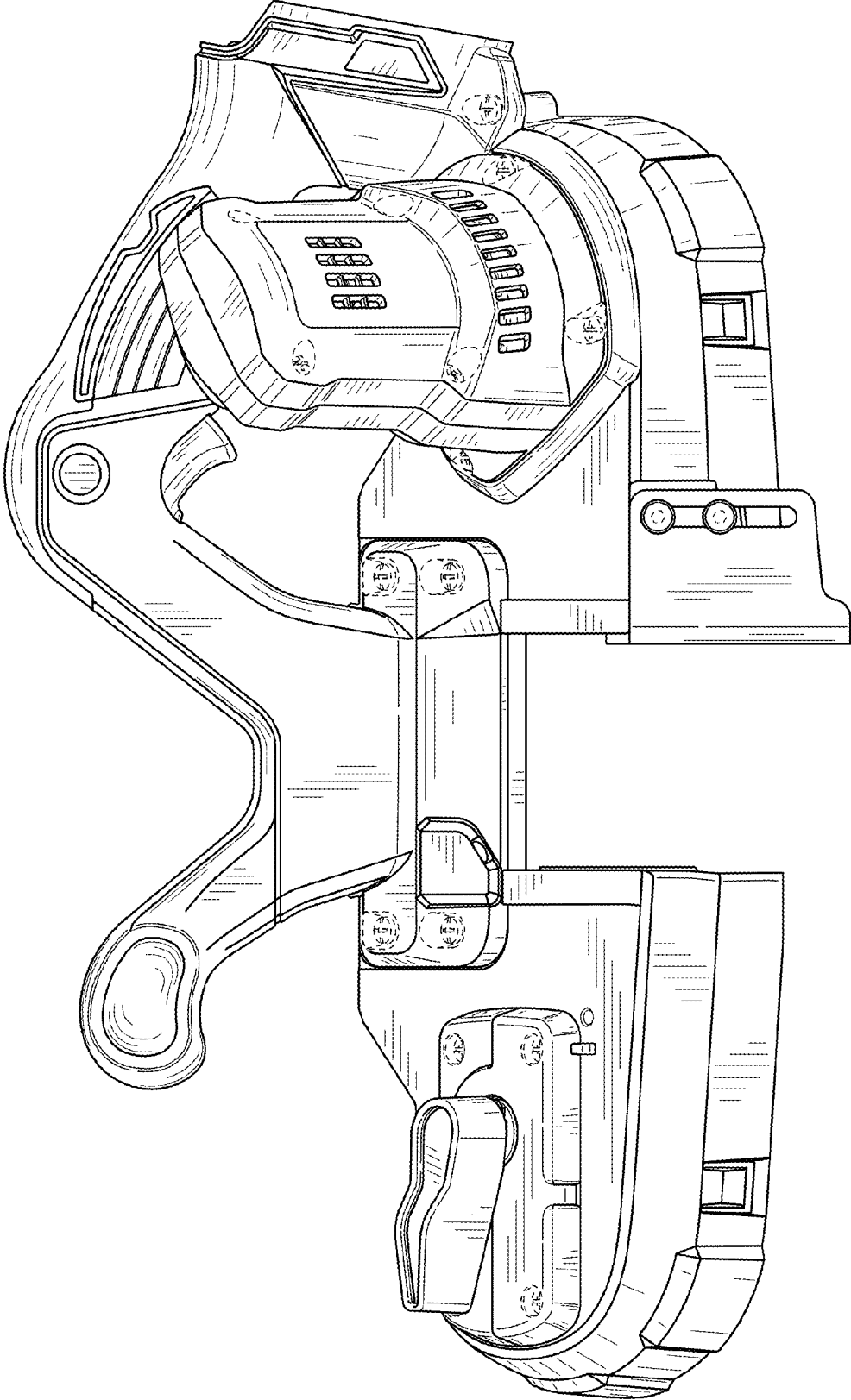


FIG. 2

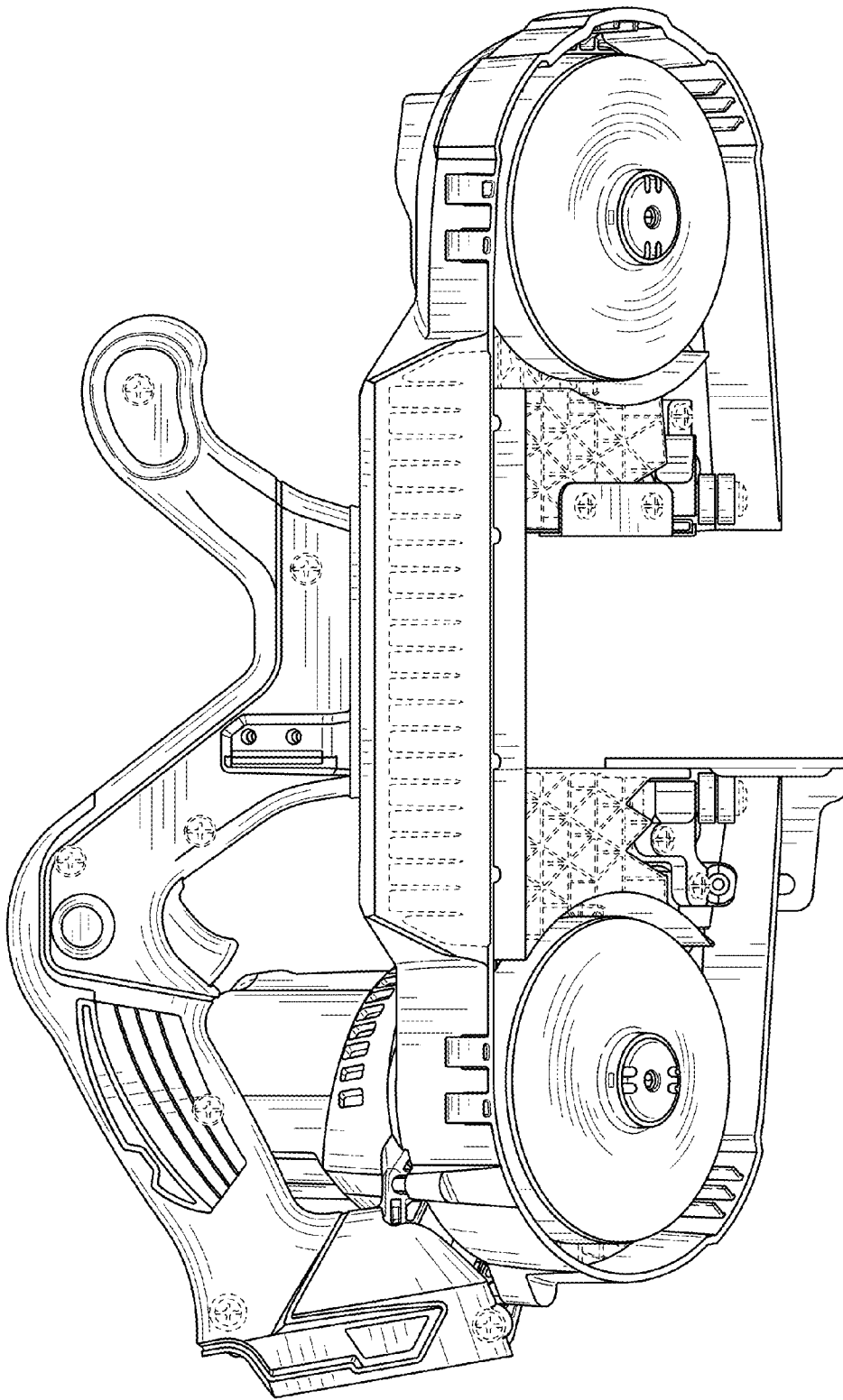


FIG. 3

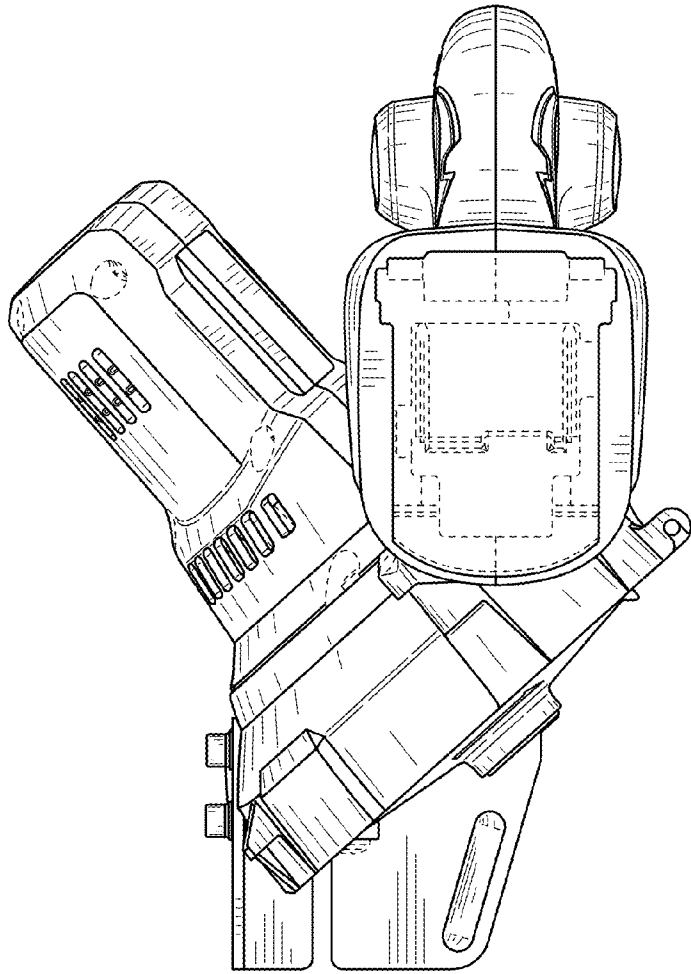


FIG. 4

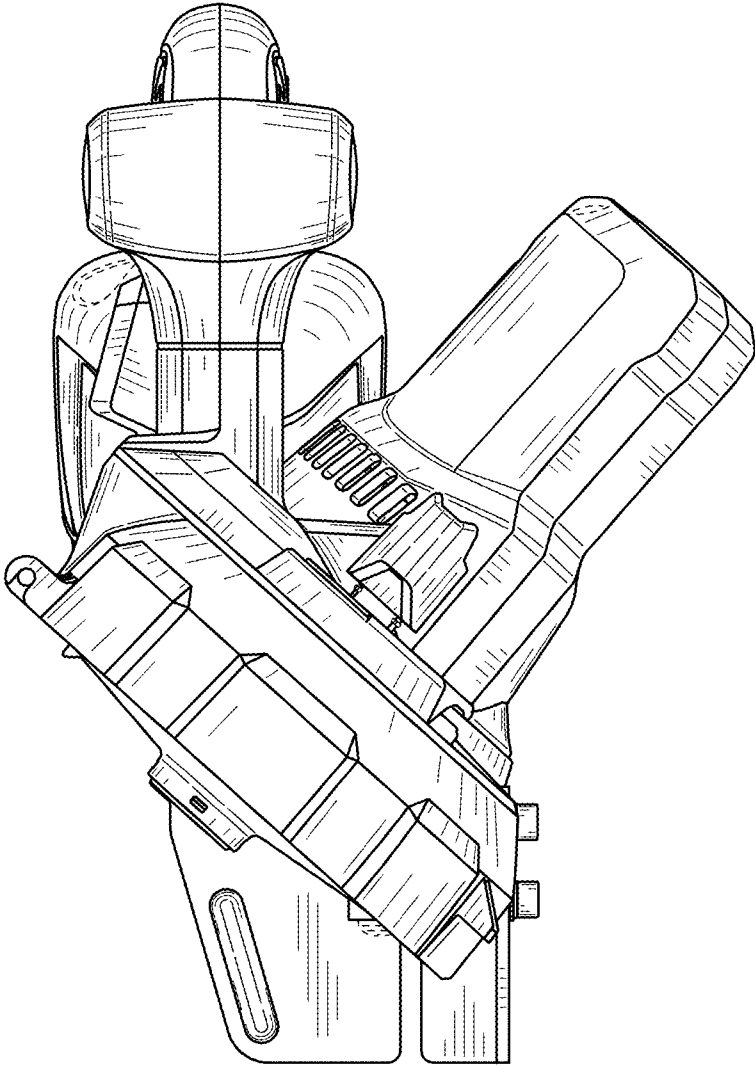


FIG. 5

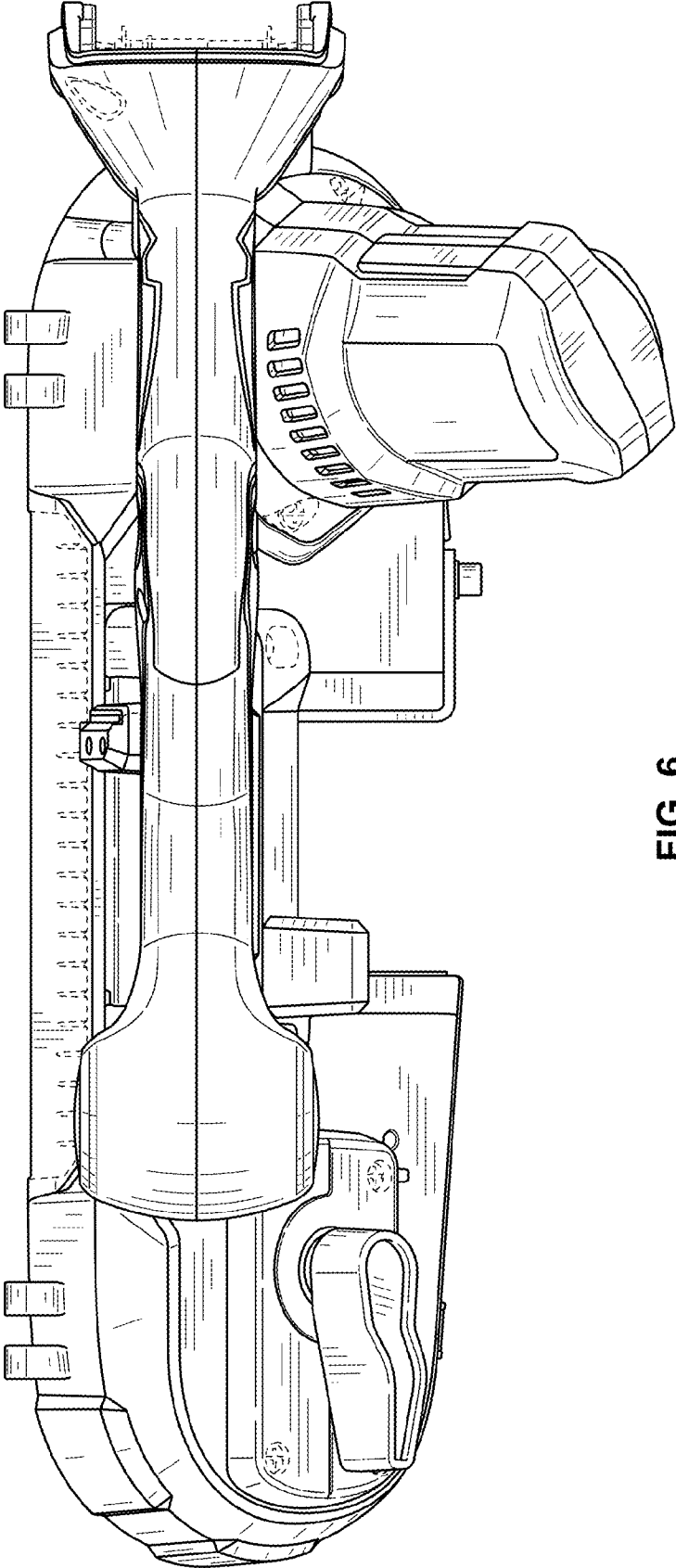


FIG. 6

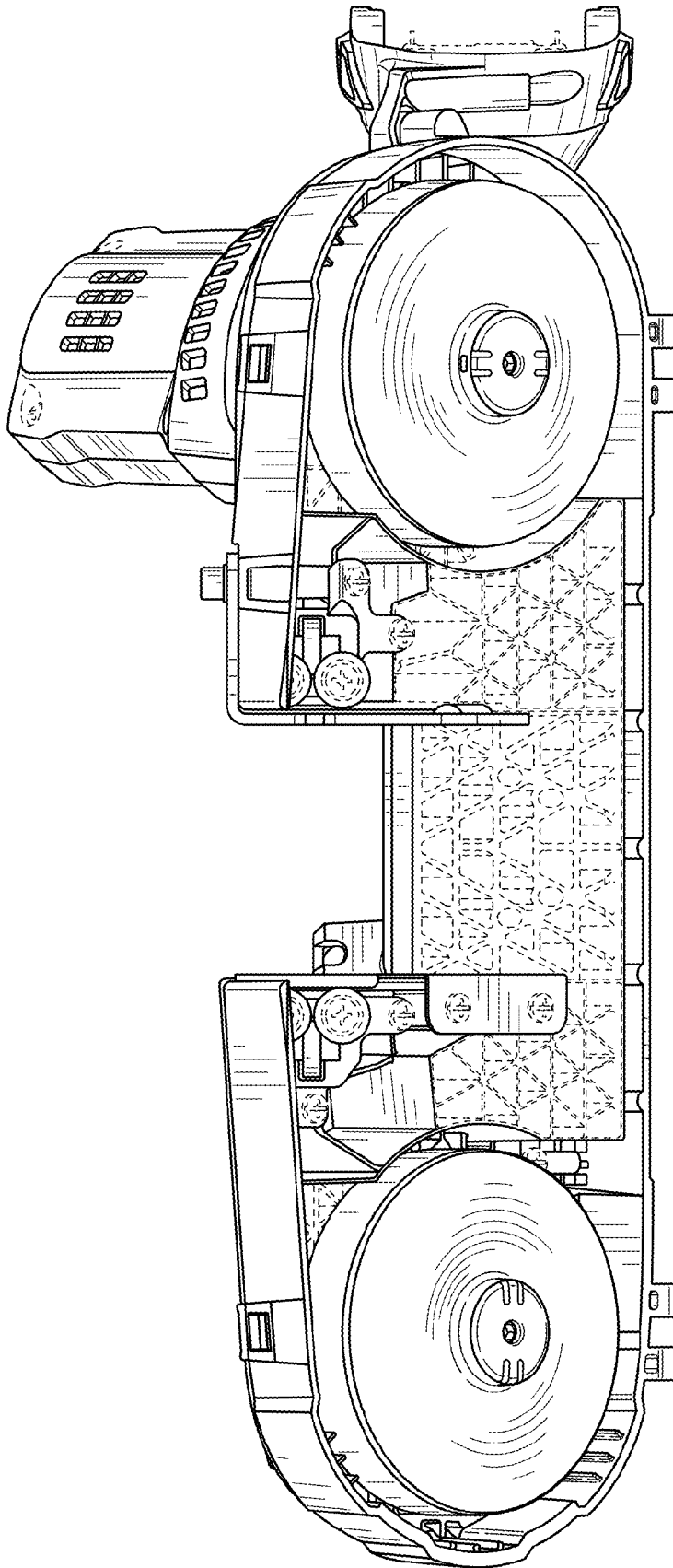


FIG. 7

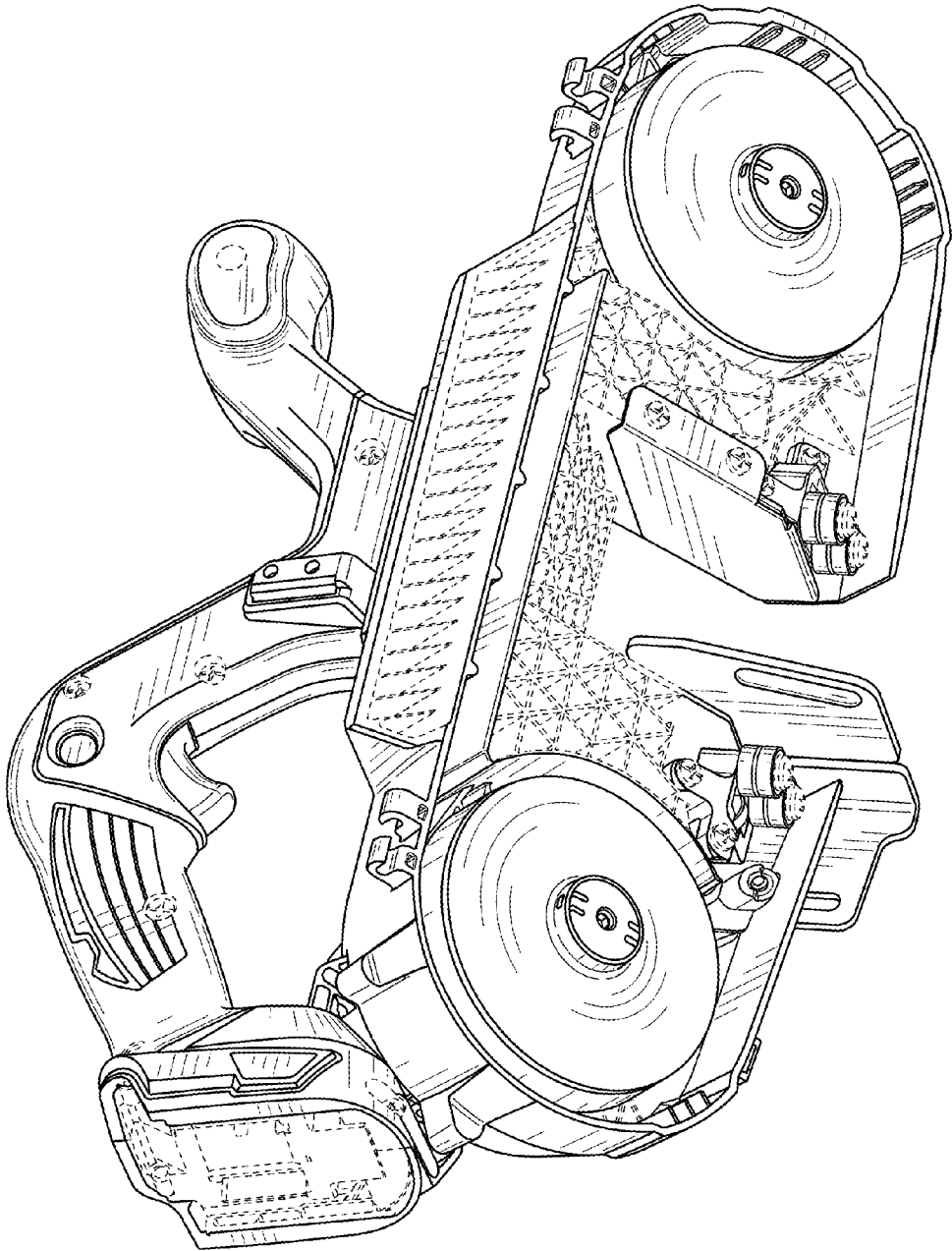


FIG. 8

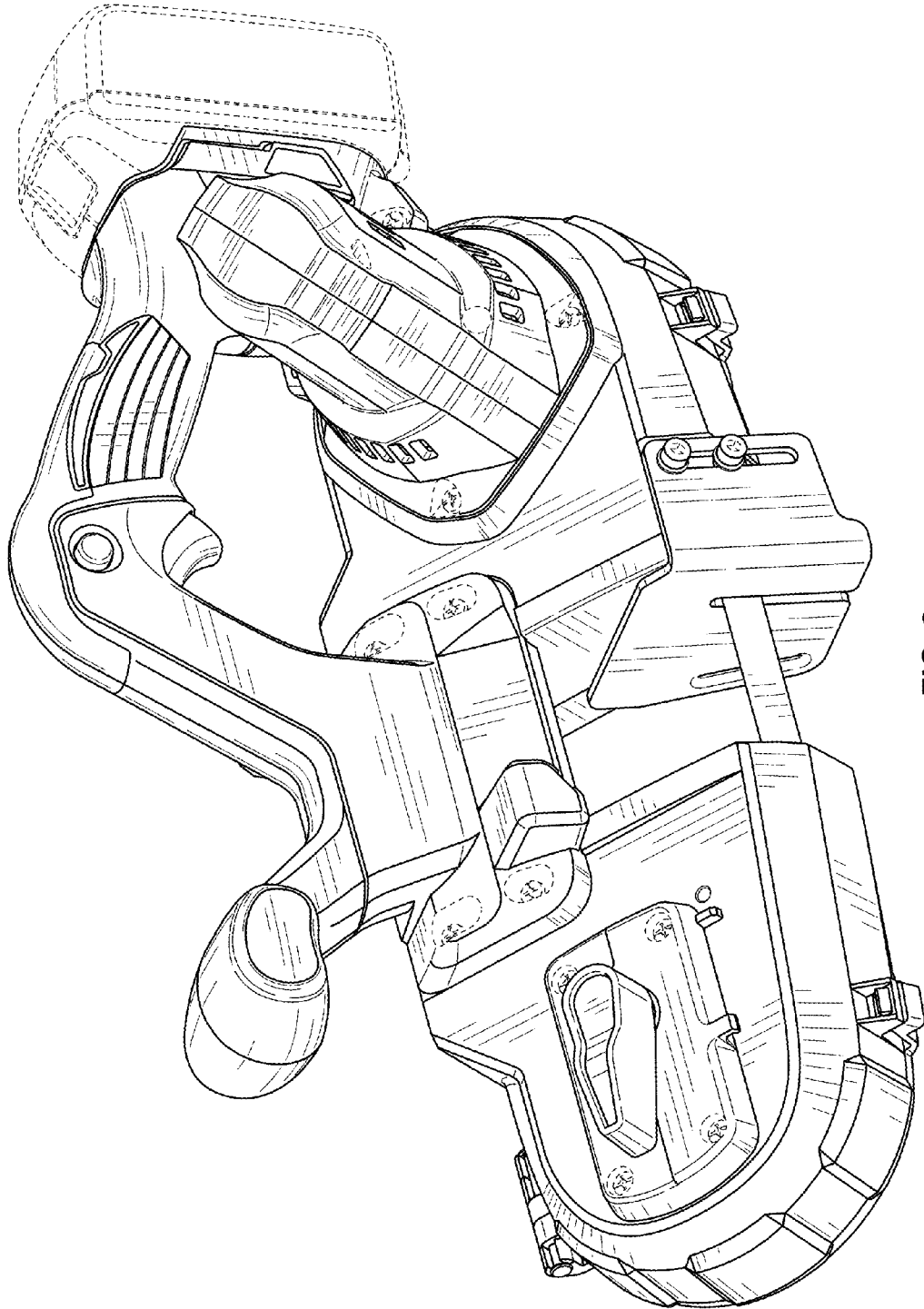


FIG. 9