



US0D1027014S

(12) **United States Design Patent**
Huang

(10) **Patent No.:** **US D1,027,014 S**

(45) **Date of Patent:** **** May 14, 2024**

(54) **SWIMMING GOGGLES**

(71) Applicant: **Jiahao Huang**, Zhejiang (CN)

(72) Inventor: **Jiahao Huang**, Zhejiang (CN)

(**) Term: **15 Years**

(21) Appl. No.: **29/769,660**

(22) Filed: **Feb. 7, 2021**

(51) **LOC (14) Cl.** **16-06**

(52) **U.S. Cl.**
USPC **D16/311**

(58) **Field of Classification Search**
USPC D16/303, 310, 311, 317; 2/426
CPC G02C 5/143; G02C 3/003; G02C 5/00;
G02C 5/06; G02C 5/14; G02C 5/146;
G02C 5/18; G02C 2200/08; G02C
2200/22; G02C 11/04; G02C 11/02;
G02C 5/2254; G02C 5/008; G02C 5/16;
G02C 1/06; A63B 33/00; A63B 33/002
See application file for complete search history.

6,340,227 B1 * 1/2002 Solberg A61F 11/12
351/158
D461,202 S * 8/2002 Chiang D16/311
6,560,788 B1 * 5/2003 Beltrani A63B 33/002
2/430
D478,926 S * 8/2003 Moritz D16/312
(Continued)

FOREIGN PATENT DOCUMENTS

CN 304297475 * 9/2017
CN 304421247 * 9/2017

(Continued)

OTHER PUBLICATIONS

Google Search: "swimming goggles with earplugs attached", [online], [site visited Feb. 9, 2023]. Available via Internet, <URL: https://www.google.com/search?q=swimming+goggles+with+earplugs+attached&sxsrf=AJOqIzWtvboEb0bK3u6go4zSTpelj477uw:1676079037060&source=Inms&tbm=isch&sa=X&ved=2ahUKEwjtfn8qIz9AhVzEFkFHU2wAGEQ_AUoAnoECAIQBA&biw=1920&bih=1057&dpr=1> (Year: 2023).*

(Continued)

Primary Examiner — Sanjeev Paul

(56) **References Cited**

U.S. PATENT DOCUMENTS

D262,491 S * 12/1981 Ebert D24/106
5,074,375 A * 12/1991 Grozil A61F 11/12
181/135
5,475,449 A * 12/1995 Pyle B65G 47/24
351/158
D372,928 S * 8/1996 Brune D16/311
5,781,272 A * 7/1998 Bright G02C 5/20
351/158
5,806,526 A * 9/1998 Rhoad A61F 9/029
128/857
D422,615 S * 4/2000 Yoshizawa D16/311
6,074,060 A * 6/2000 Bruce A61F 9/029
351/158
6,105,714 A * 8/2000 Lindgren A61F 11/12
D24/173
D436,366 S * 1/2001 Godoy D16/311
D440,593 S * 4/2001 Tsubooka D16/312

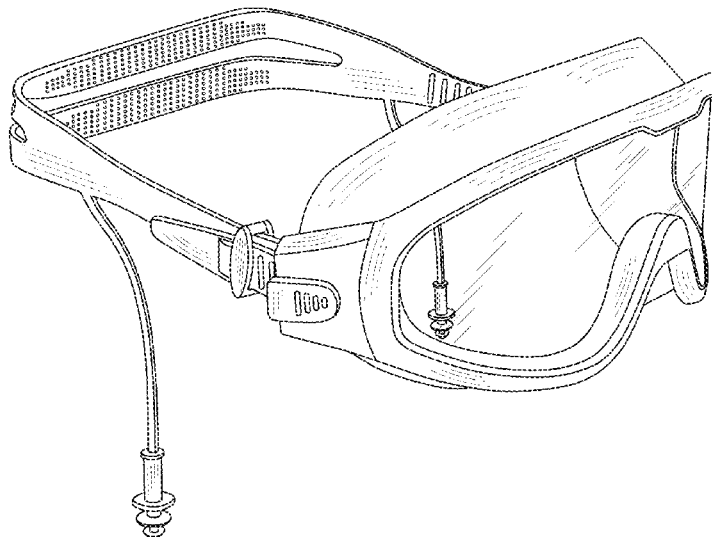
(57) **CLAIM**

The ornamental design for a swimming goggles, as shown and described.

DESCRIPTION

FIG. 1 is a perspective view of a swimming goggles showing my new design;
FIG. 2 is a front elevation view thereof;
FIG. 3 is a rear elevation view thereof;
FIG. 4 is a left side elevation view thereof;
FIG. 5 is a right side elevation view thereof;
FIG. 6 is a top plan view thereof; and,
FIG. 7 is a bottom plan view thereof.

1 Claim, 7 Drawing Sheets



(56)

References Cited

U.S. PATENT DOCUMENTS

6,604,823 B2 * 8/2003 Hursey, Jr. G02C 3/003
351/44
D482,383 S * 11/2003 Lee D16/311
6,698,033 B2 * 3/2004 Fujima B63C 11/12
2/445
6,728,974 B2 * 5/2004 Wadsworth A61F 9/027
351/123
D502,204 S * 2/2005 Garofalo D16/311
D551,278 S * 9/2007 Moritz D16/312
D589,078 S * 3/2009 Lai D16/314
D602,065 S * 10/2009 Takeshi D16/312
D618,719 S * 6/2010 Chiang D16/311
D634,354 S * 3/2011 Schwartz D16/339
D648,371 S * 11/2011 Chiang D16/311
D665,443 S * 8/2012 Kitamura D16/303
D666,287 S * 8/2012 Quinlan A61F 9/029
D24/106
D685,020 S * 6/2013 O'Doherty D16/311
D717,859 S * 11/2014 Chiang D16/311
D794,703 S * 8/2017 Andersen D16/339
D837,873 S * 1/2019 Lussier D16/330
D898,811 S * 10/2020 Wang D16/311
D909,457 S * 2/2021 Liang D16/312
D913,363 S * 3/2021 Badran D16/339
D942,530 S * 2/2022 Arguello, Jr. D16/313
2002/0152543 A1 * 10/2002 Chou A63B 33/00
2/428
2003/0110552 A1 * 6/2003 Youmans A61F 9/028
2/426
2008/0134417 A1 * 6/2008 Aoyama A61F 9/027
2/431
2009/0038062 A1 * 2/2009 Chiang A63B 33/004
2/445

2009/0119823 A1 * 5/2009 Lee B63C 11/12
2/15
2009/0165192 A1 * 7/2009 Chiang A63B 33/004
2/452
2010/0319714 A1 * 12/2010 Oshima F16D 65/123
128/866
2011/0094007 A1 * 4/2011 Brauner A61F 11/08
351/111
2011/0131709 A1 * 6/2011 Caraballo A61F 9/029
2/12
2022/0226154 A1 * 7/2022 Beittel A61F 9/027

FOREIGN PATENT DOCUMENTS

CN	304421229	* 12/2017
CN	304525124	* 3/2018
CN	304566800	* 4/2018
CN	304607007	* 5/2018
CN	304952583	* 8/2018
EM	008586887-0001	* 6/2021

OTHER PUBLICATIONS

Google Search: "swim goggles", [online], [site visited Feb. 9, 2023]. Available via Internet, <URL:https://www.google.com/search?q=swim+goggles&sxsrf=AJOqIzU-npyw-V5exmfsE7n2X8OT45Hm5w:1675998678608&source=Inms&tbm=isch&sa=X&ved=2ahUKewjukofP_Yn9AhVoD1kFHf1GAwoQ_AUoAnoECAEQBA&biw=1920&bih=1057&dpr=1> (Year: 2023).
The Strategist: "The 11 very best swim goggles", dated Jan. 27, 2023, [online], [site visited Feb. 9, 2023]. Available via Internet, <URL:https://nymag.com/strategist/article/best-swim-goggles.html> (Year: 2023).*

* cited by examiner

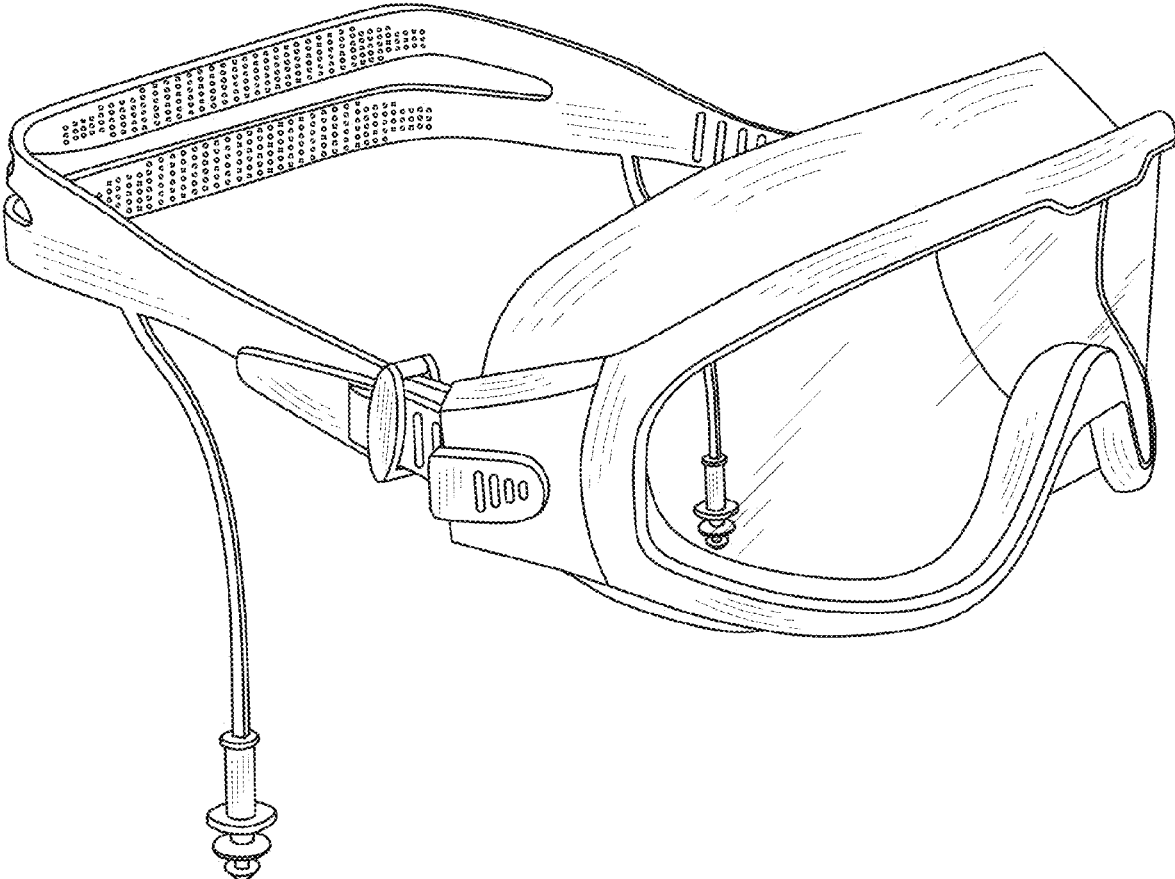


FIG. 1

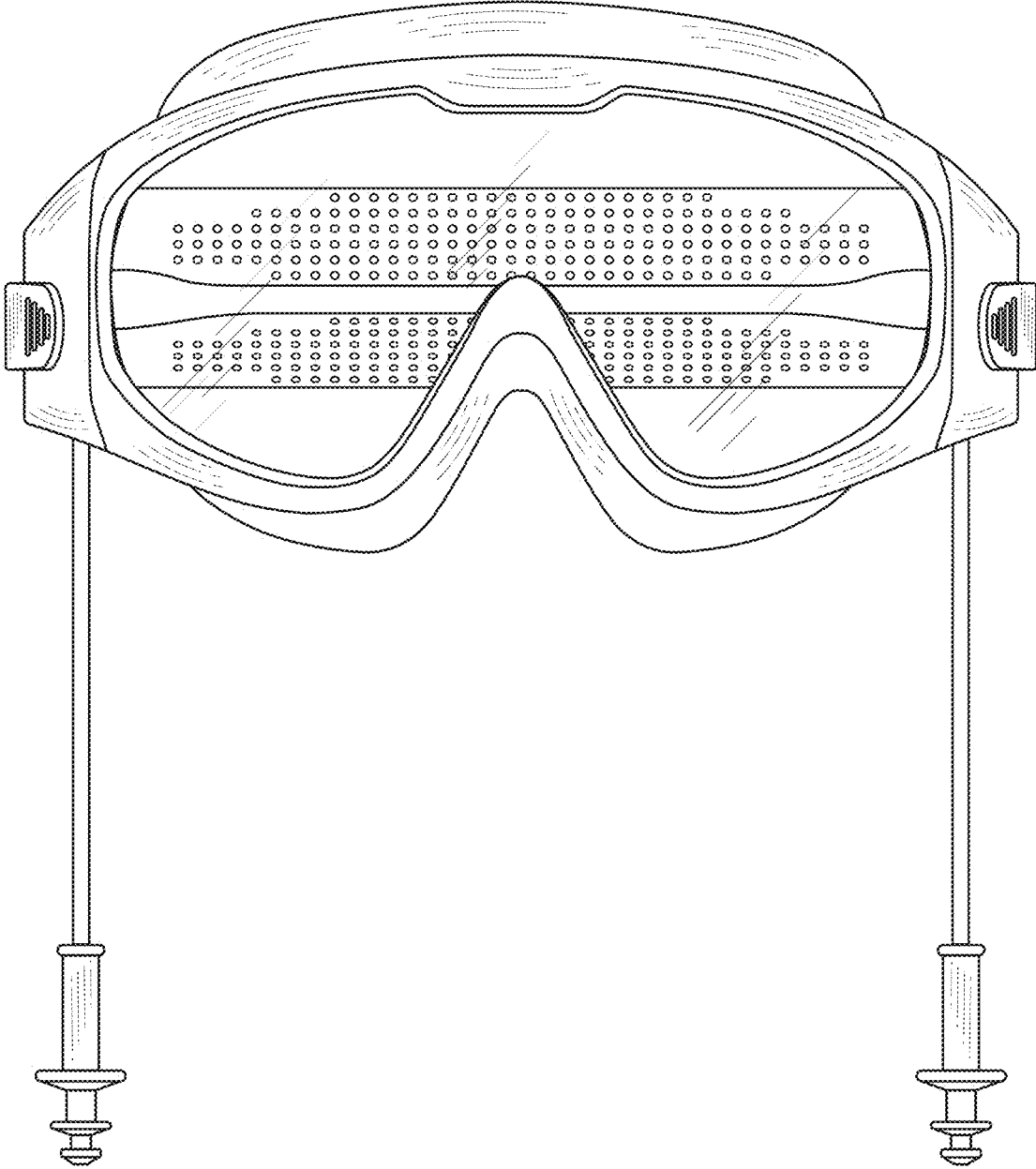


FIG. 2

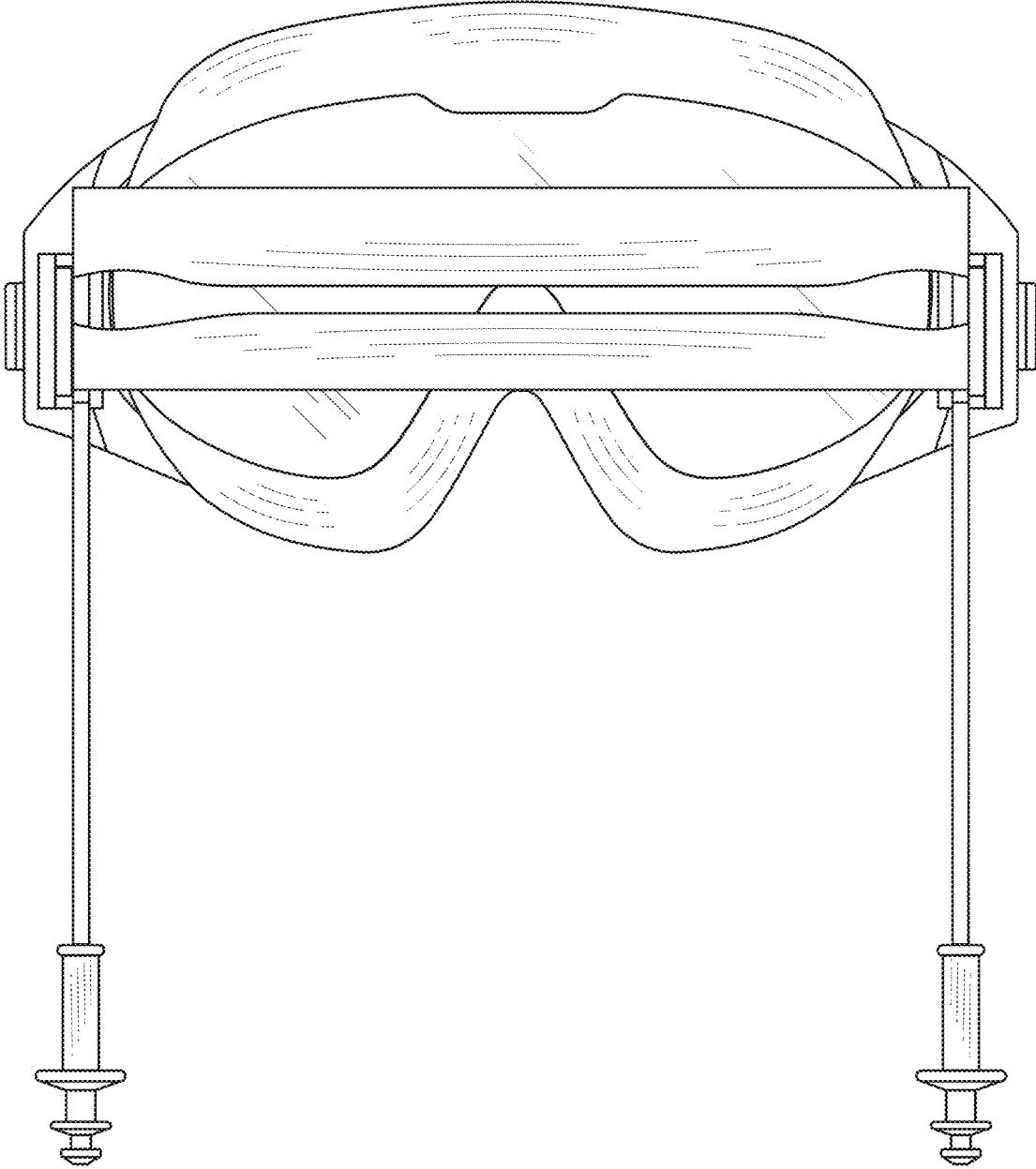


FIG. 3

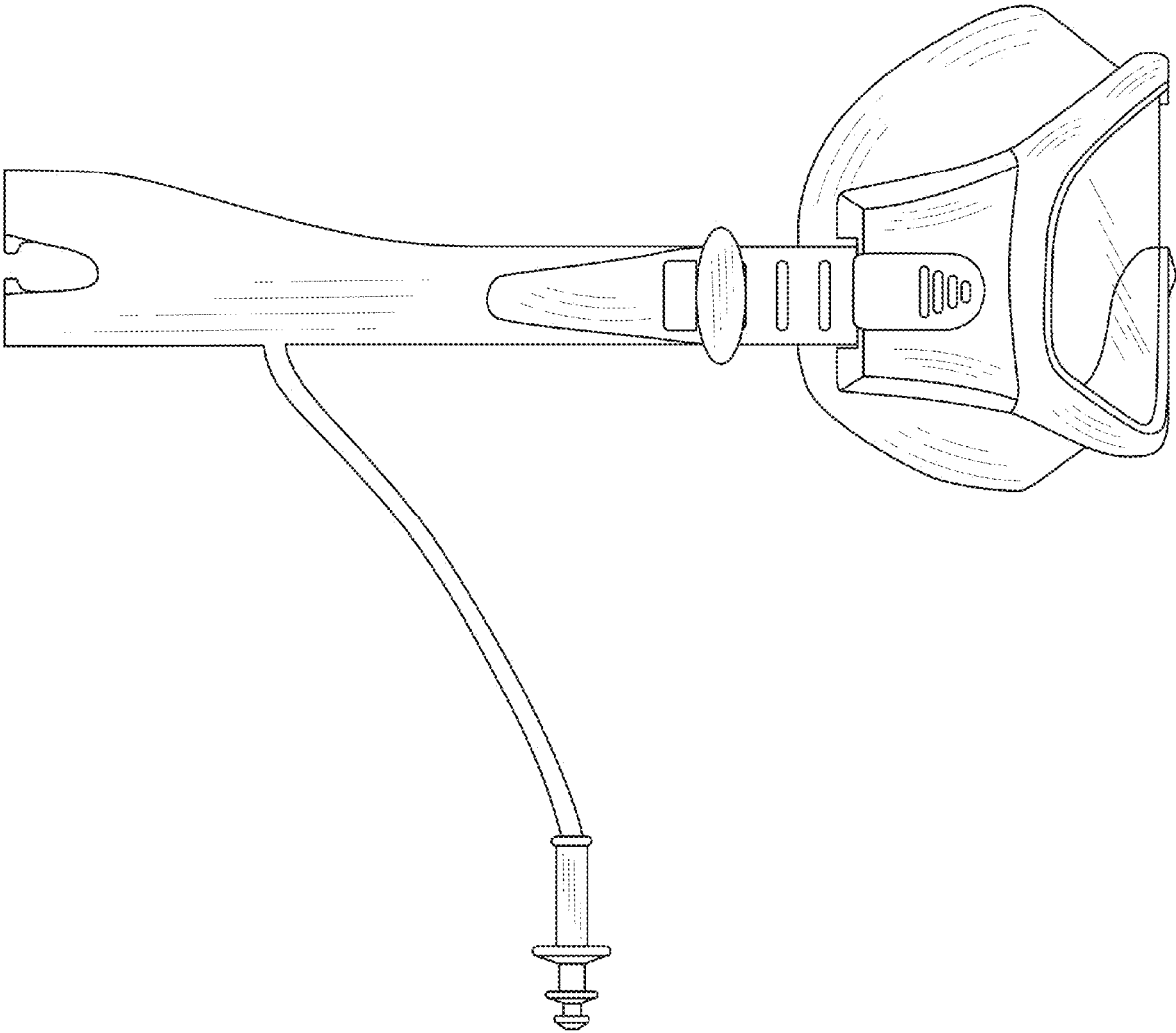


FIG. 4

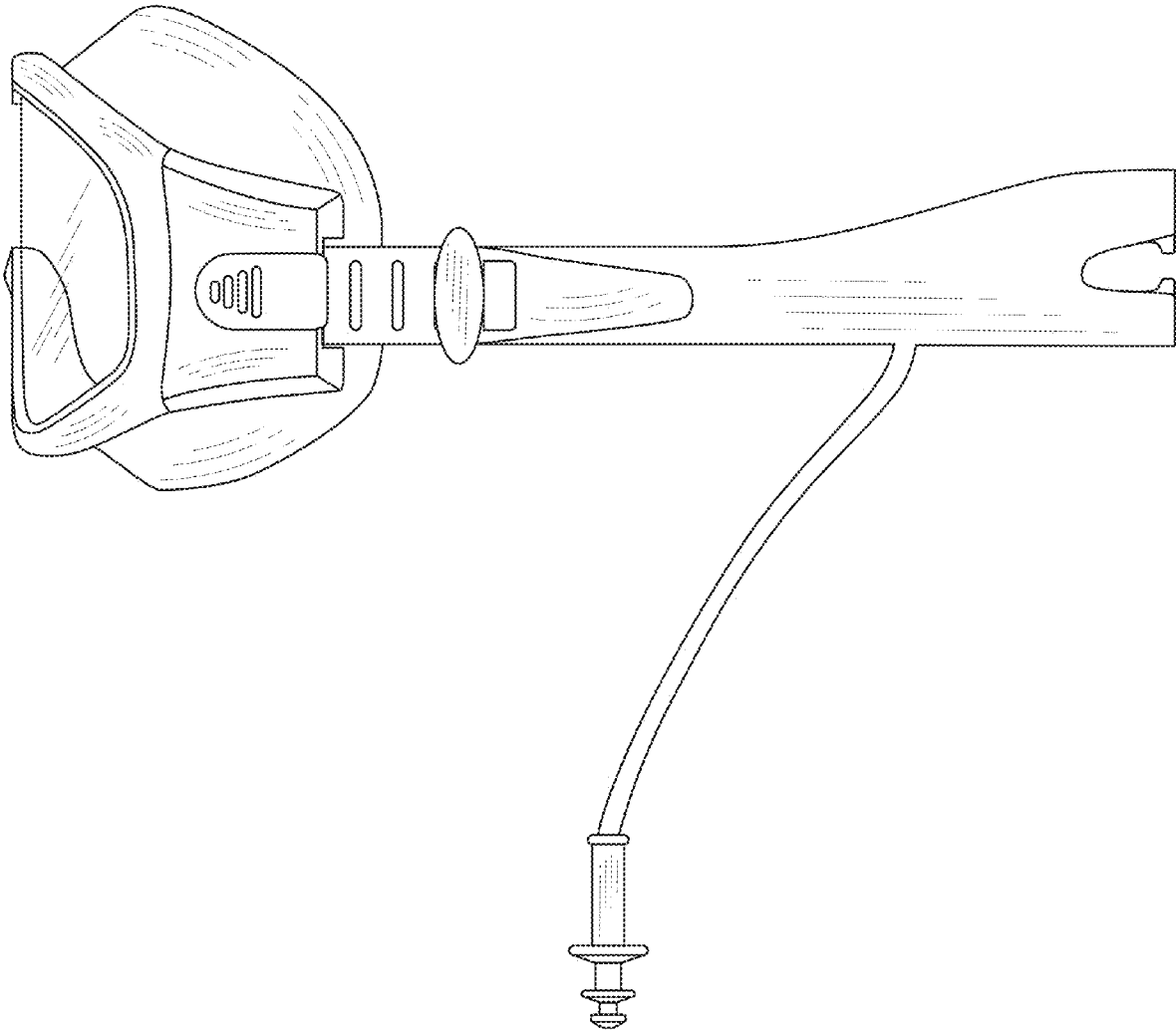


FIG. 5

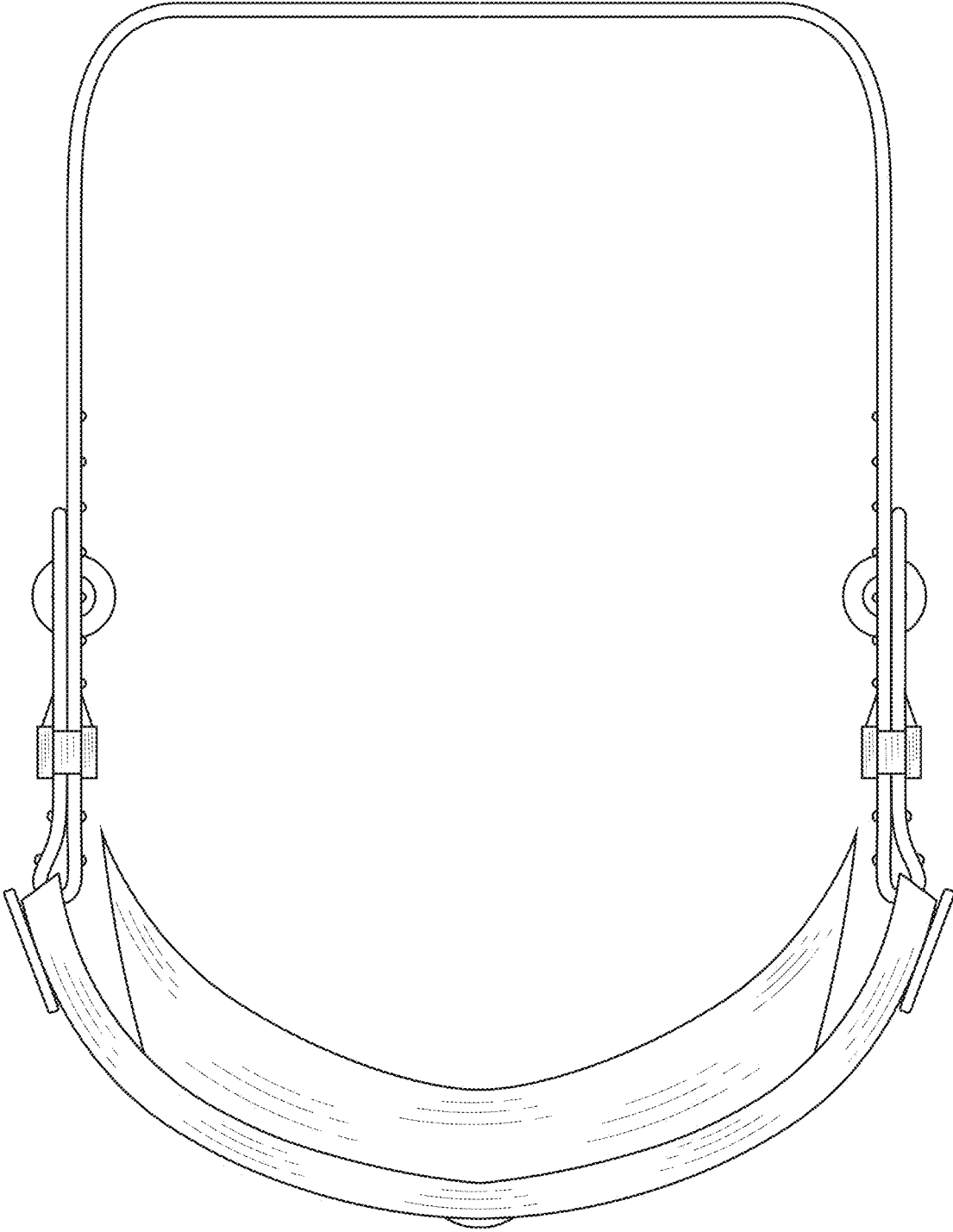


FIG. 6

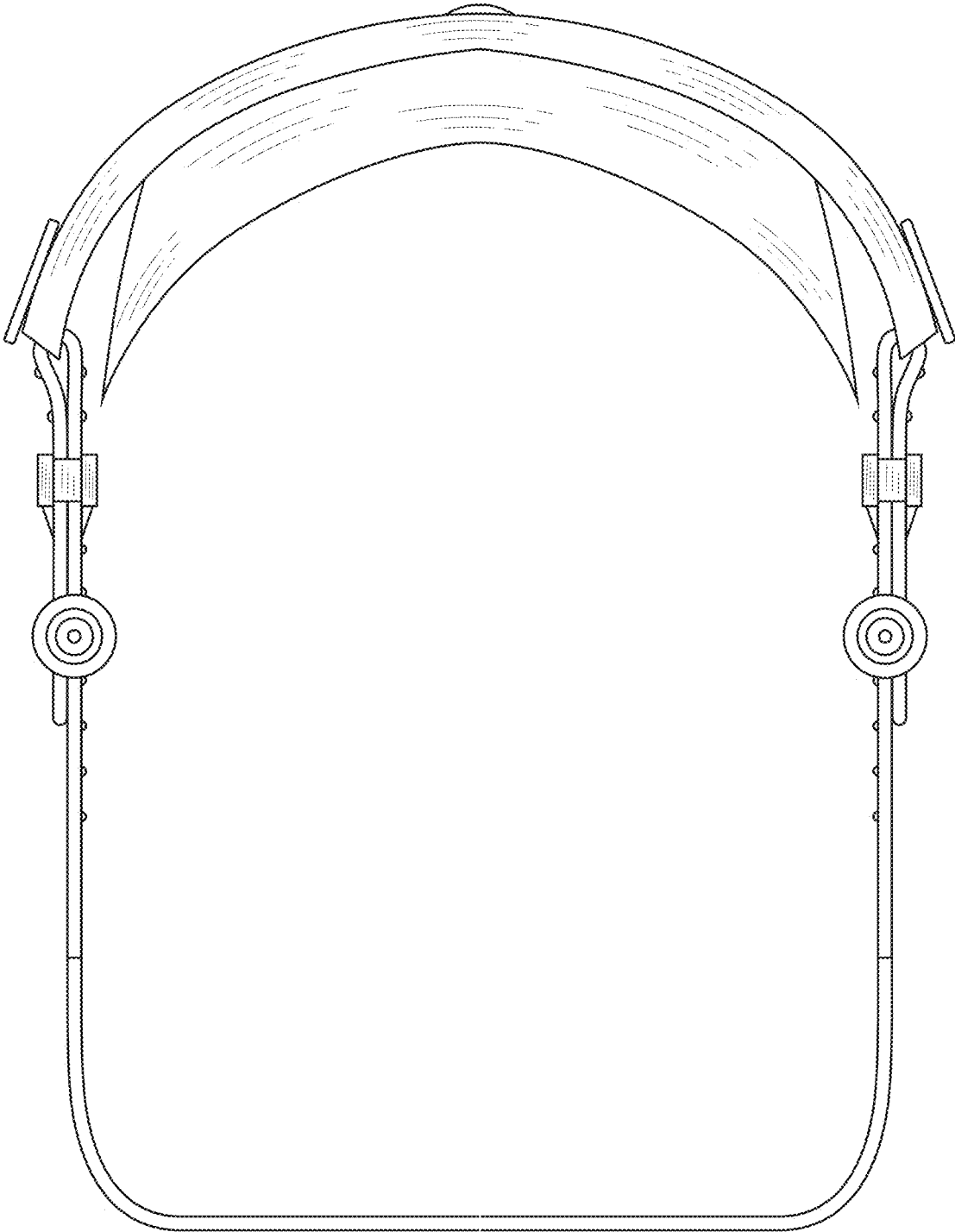


FIG. 7