

[54] COVER FOR A LINEAR ACTUATOR FOR AN EARTH STATION SATELLITE-RECEIVING ANTENNA

[76] Inventor: David E. Carr, P.O. Box 182, 300 S. Church, New Carlisle, Ohio 45344

[\*\*] Term: 14 Years

[21] Appl. No.: 610,154

[22] Filed: May 14, 1984

[52] U.S. Cl. .... D14/90

[58] Field of Search ..... D14/1, 86, 90, 91, 99; 343/872, 907, 908; D9/375; D15/148, 149

[56] References Cited

U.S. PATENT DOCUMENTS

- D. 56,733 12/1920 Barwell ..... D9/375
- D. 195,557 7/1963 Inhelder ..... D14/86
- D. 267,721 1/1983 Dupuis et al. .... D15/148

OTHER PUBLICATIONS

Video Review, Apr. 1983, p. 60, top right of page.

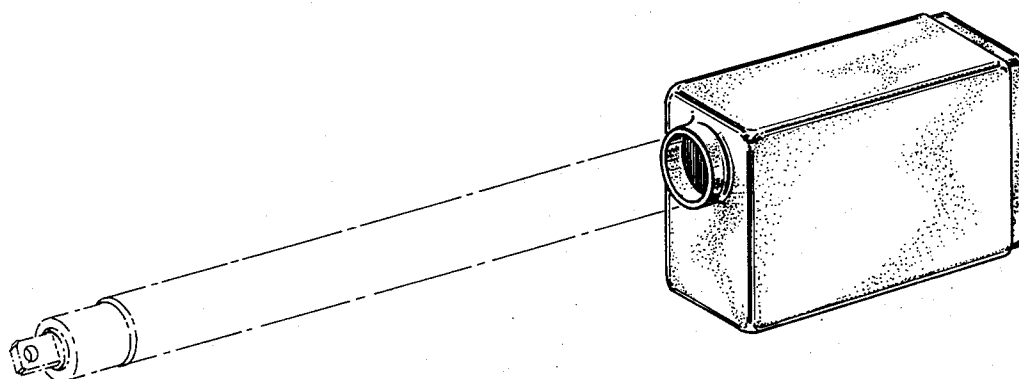
Primary Examiner—Bernard Ansher  
Assistant Examiner—Theodore M. Shooman  
Attorney, Agent, or Firm—Biebel, French & Nauman

[57] CLAIM

The ornamental design for a cover for a linear actuator for an earth station satellite receiving antenna, substantially as shown.

DESCRIPTION

FIG. 1 is a top, front and right side perspective view of a cover for a linear actuator for an earth station satellite-receiver antenna showing my new design; FIG. 2 is a right side elevational view thereof, the left side elevational view being a mirror image; FIG. 3 is a top plan view thereof, the bottom being a mirror image thereof; FIG. 4 is a front elevational view thereof; and FIG. 5 is a rear elevational view thereof. The broken line showing of the linear actuator in FIG. 1 is for illustrative purposes only and forms no part of the claimed design.



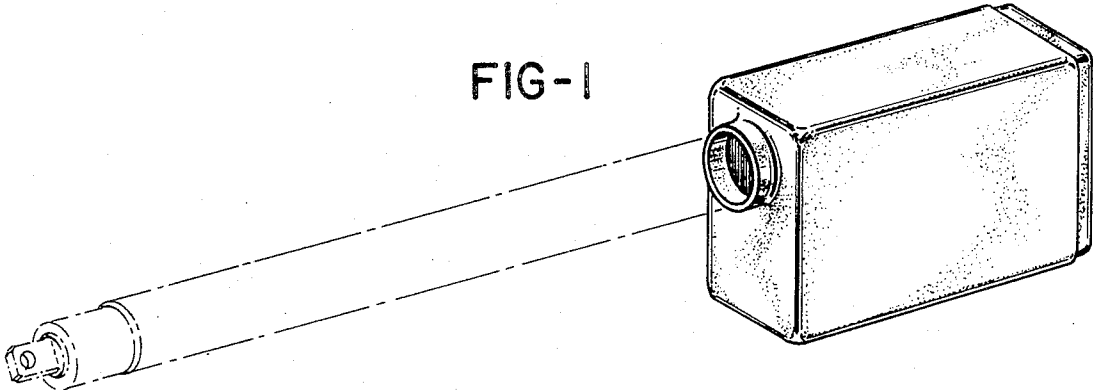


FIG-2

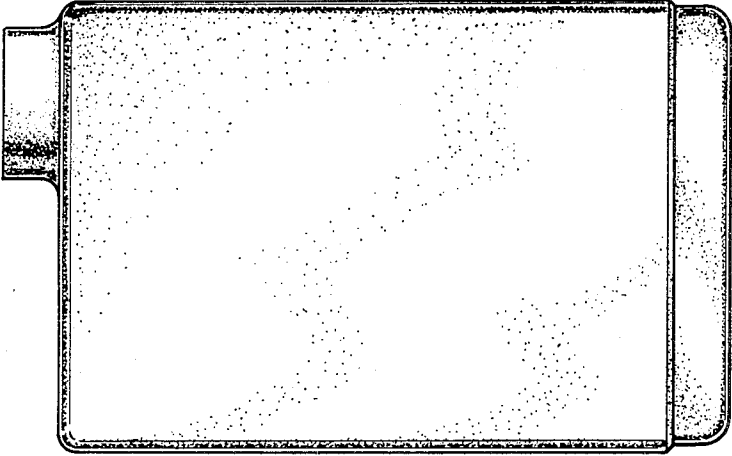


FIG-3

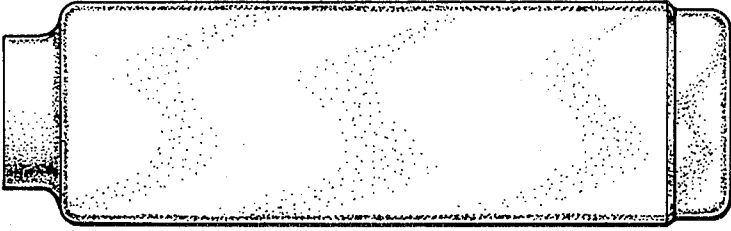


FIG-4

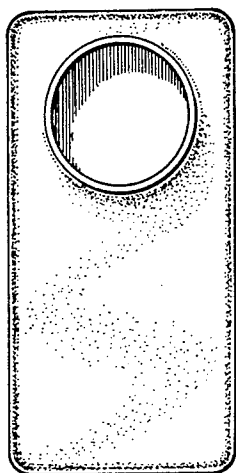


FIG-5

