



- (51) International Patent Classification: *E21B 33/128* (2006.01) *E21B 23/06* (2006.01)
- (21) International Application Number: PCT/US2011/056131
- (22) International Filing Date: 13 October 2011 (13.10.2011)
- (25) Filing Language: English
- (26) Publication Language: English
- (30) Priority Data: 61/393,610 15 October 2010 (15.10.2010) US
- (71) Applicant (for all designated States except US): **BAKER HUGHES INCORPORATED** [US/US]; P.O. Box 4740, Houston, Texas 77210-4740 (US).
- (72) Inventor; and
- (75) Inventor/Applicant (for US only): **O'MALLEY, Edward J.** [US/US]; 720 Rutland Street, Houston, Texas 77007 (US).
- (81) Designated States (unless otherwise indicated, for every kind of national protection available): AE, AG, AL, AM, AO, AT, AU, AZ, BA, BB, BG, BH, BR, BW, BY, BZ, CA, CH, CL, CN, CO, CR, CU, CZ, DE, DK, DM, DO, DZ, EC, EE, EG, ES, FI, GB, GD, GE, GH, GM, GT, HN, HR, HU, ID, IL, IN, IS, JP, KE, KG, KM, KN, KP, KR, KZ, LA, LC, LK, LR, LS, LT, LU, LY, MA, MD, ME, MG, MK, MN, MW, MX, MY, MZ, NA, NG, NI, NO, NZ,

[Continued on next page]

(54) Title: APPARATUS INCLUDING METAL FOAM AND METHODS FOR USING SAME DOWNHOLE

(57) Abstract: In one aspect, a device is provided that in one configuration includes a member including a metallic foam and a sealing material coupled to the metallic foam. The sealing material may be in, on or coated on the metallic foam member.



WO 2012/051409 A3

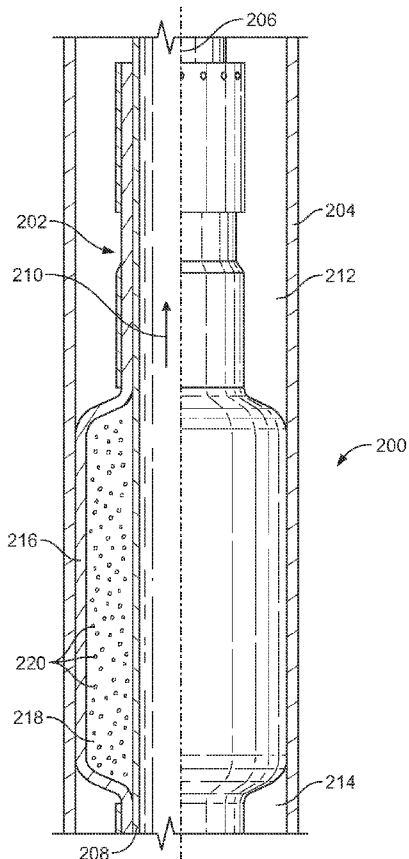


FIG. 2

OM, PE, PG, PH, PL, PT, QA, RO, RS, RU, RW, SC, SD, SE, SG, SK, SL, SM, ST, SV, SY, TH, TJ, TM, TN, TR, TT, TZ, UA, UG, US, UZ, VC, VN, ZA, ZM, ZW.

(84) Designated States (unless otherwise indicated, for every kind of regional protection available): ARIPO (BW, GH, GM, KE, LR, LS, MW, MZ, NA, RW, SD, SL, SZ, TZ, UG, ZM, ZW), Eurasian (AM, AZ, BY, KG, KZ, MD, RU, TJ, TM), European (AL, AT, BE, BG, CH, CY, CZ, DE, DK, EE, ES, FI, FR, GB, GR, HR, HU, IE, IS, IT, LT, LU, LV, MC, MK, MT, NL, NO, PL, PT, RO, RS, SE, SI, SK, SM, TR), OAPI (BF, BJ, CF, CG, CI, CM, GA, GN, GQ, GW, ML, MR, NE, SN, TD, TG).

Declarations under Rule 4.17:

— as to applicant's entitlement to apply for and be granted a patent (Rule 4.17(ii))

Published:

— with international search report (Art. 21(3))
— before the expiration of the time limit for amending the claims and to be republished in the event of receipt of amendments (Rule 48.2(h))

(88) Date of publication of the international search report:

5 July 2012

A. CLASSIFICATION OF SUBJECT MATTER***E21B 33/128(2006.01)i, E21B 23/06(2006.01)i***

According to International Patent Classification (IPC) or to both national classification and IPC

B. FIELDS SEARCHED

Minimum documentation searched (classification system followed by classification symbols)

E21B 33/128; E21B 33/10; E21B 33/12; E21B 33/13

Documentation searched other than minimum documentation to the extent that such documents are included in the fields searched

Korean utility models and applications for utility models

Japanese utility models and applications for utility models

Electronic data base consulted during the international search (name of data base and, where practicable, search terms used)

eKOMPASS(KIPO internal) & Keywords: packer, downhole, shape memory

C. DOCUMENTS CONSIDERED TO BE RELEVANT

Category*	Citation of document, with indication, where appropriate, of the relevant passages	Relevant to claim No.
X Y A	US 2009-0255675 A1 (CASCIARO, DARIO) 15 October 2009 See the abstract, paragraphs [0016], [0019], and [0026], and figures 1-5.	1-3, 5, 6, 10, 13, 14 , 16, 19 7-9, 12, 17, 18, 20 4, 11, 15
Y A	US 7743825 B2 (O'MALLEY, EDWARD J. et al.) 29 June 2010 See the abstract, column 2, line 62 - column 3, line 4, and figure 1	7-9, 12, 17, 18, 20 1-6, 10, 11, 13-16, 19
A	US 2010-0006303 A1 (GARCIA, JEAN-LUC et al.) 14 January 2010 See the abstract, paragraph [0018], and figure 1	7-9, 12, 17, 18, 20
A	US 04424865 A (PAYTON, JR., DONALD G.) 10 January 1984 See the abstract, column 1, lines 65-68, and figure 1	7-9, 12, 17, 18, 20

 Further documents are listed in the continuation of Box C. See patent family annex.

* Special categories of cited documents:

"A" document defining the general state of the art which is not considered to be of particular relevance

"E" earlier application or patent but published on or after the international filing date

"L" document which may throw doubts on priority claim(s) or which is cited to establish the publication date of citation or other special reason (as specified)

"O" document referring to an oral disclosure, use, exhibition or other means

"P" document published prior to the international filing date but later than the priority date claimed

"T" later document published after the international filing date or priority date and not in conflict with the application but cited to understand the principle or theory underlying the invention

"X" document of particular relevance; the claimed invention cannot be considered novel or cannot be considered to involve an inventive step when the document is taken alone

"Y" document of particular relevance; the claimed invention cannot be considered to involve an inventive step when the document is combined with one or more other such documents, such combination being obvious to a person skilled in the art

"&" document member of the same patent family

Date of the actual completion of the international search

04 MAY 2012 (04.05.2012)

Date of mailing of the international search report

07 MAY 2012 (07.05.2012)

Name and mailing address of the ISA/KR

Korean Intellectual Property Office
Government Complex-Daejeon, 189 Cheongsa-ro,
Seo-gu, Daejeon 302-701, Republic of Korea

Facsimile No. 82-42-472-7140

Authorized officer

Park Sang Hyun

Telephone No. 82-42-481-5434



INTERNATIONAL SEARCH REPORT

Information on patent family members

International application No.

PCT/US2011/056131

Patent document cited in search report	Publication date	Patent family member(s)	Publication date
US 2009-0255675 A1	15.10.2009	US 7748468 B2 WO 2009-126450 A1 WO 2009-126451 A2 WO 2009-126451 A3	06.07.2010 15.10.2009 15.10.2009 17.12.2009
US 7743825 B2	29.06.2010	AU 2007-238030 A1 AU 2007-238030 B2 CA 2648847 A1 CN 101460700 A GB 0818696 D0 GB 2450282 A NO 20084431A RU 2008144665 A RU 2429340 C2 US 2007-0240877 A1 US 2007-0240885 A1 US 7735567 B2 WO 2007-121350 A1	25.10.2007 30.06.2011 25.10.2007 17.06.2009 19.11.2008 17.12.2008 12.11.2008 20.05.2010 20.09.2011 18.10.2007 18.10.2007 15.06.2010 25.10.2007
US 2010-0006303 A1	14.01.2010	EP 2064477 A1 FR 2906000 A1 WO 2008-034762 A1	03.06.2009 21.03.2008 27.03.2008
US 04424865 A	10.01.1984	None	