

- [54] CONTACT LENS BRUSH
- [76] Inventor: Sidney F. Young, 6333 N. 37th Ave., Phoenix, Ariz. 85019
- [\*\*] Term: 14 Years
- [21] Appl. No.: 910,193
- [22] Filed: Sep. 19, 1986
- [52] U.S. Cl. .... D4/120
- [58] Field of Search ..... D4/103-138; 15/159 R, 160, 167 B, 106, 214

2,695,416	11/1954	Raimo	.....	15/106
3,744,078	7/1973	Vallis	.....	15/167
3,843,991	10/1974	Vallis	.....	15/167

Primary Examiner—Catherine E. Kemper  
 Attorney, Agent, or Firm—Charles E. Cates

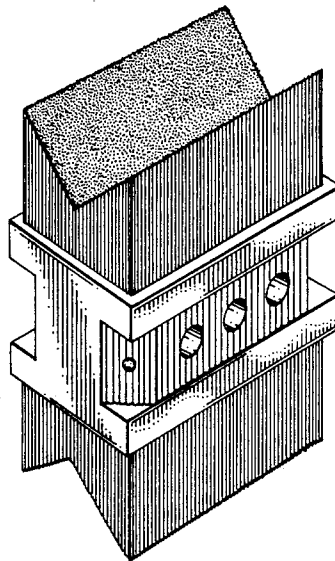
[57] CLAIM

The ornamental design for contact lens brush, as shown and described.

DESCRIPTION

FIG. 1 is a perspective view of a contact lens brush, showing my new design;  
 FIG. 2 is a left side elevational view thereof;  
 FIG. 3 is a right side elevational view thereof;  
 FIG. 4 is an end elevational view thereof;  
 FIG. 5 is an elevational view of the opposite end thereof;  
 FIG. 6 is a bottom plan view thereof;  
 FIG. 7 is a top plan view thereof.

- [56] **References Cited**
- U.S. PATENT DOCUMENTS**
- D. 153,413 4/1949 Baumgartner ..... D4/130
- D. 285,627 9/1986 Ballard ..... D4/120
- 1,924,337 8/1933 Troupa ..... 15/188
- 2,186,005 1/1940 Casto ..... 15/167
- 2,206,542 7/1940 Arnold ..... 15/106
- 2,464,321 3/1949 Konczal ..... 15/167



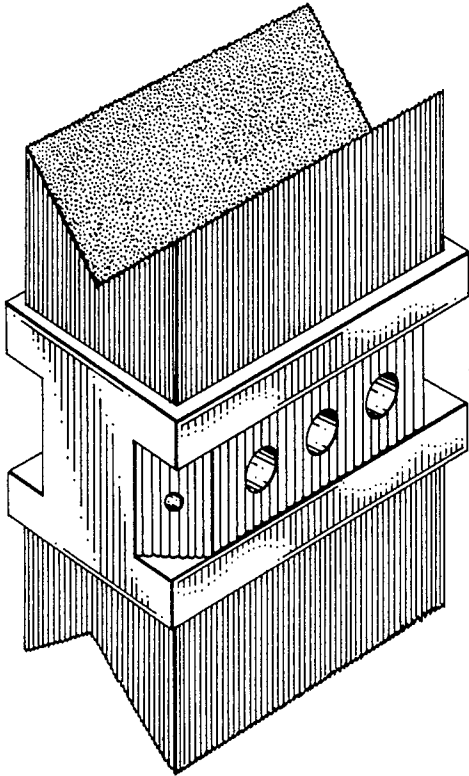


FIG. 1

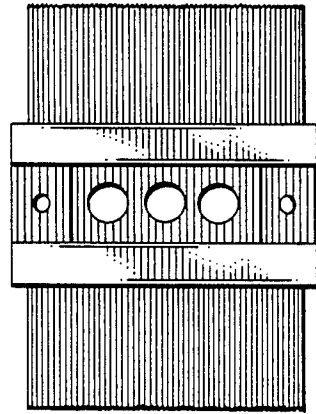


FIG. 2

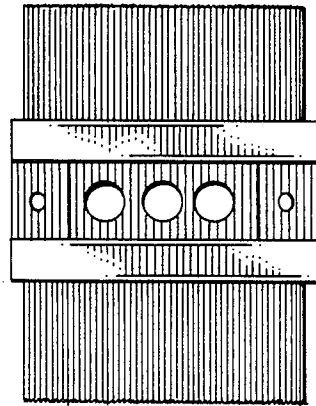


FIG. 3

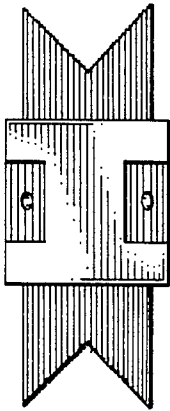


FIG. 4

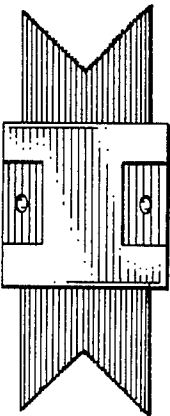


FIG. 5

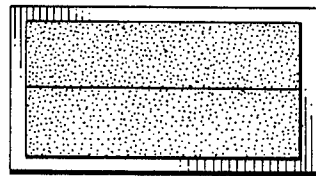


FIG. 6

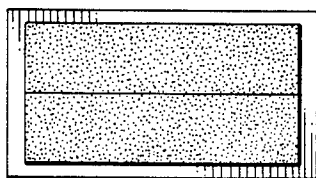


FIG. 7