



US00D764211S

(12) **United States Design Patent**  
**Morgan**

(10) **Patent No.:** **US D764,211 S**

(45) **Date of Patent:** **\*\* Aug. 23, 2016**

(54) **FISHING ROD RACK**  
(71) Applicant: **Scott Morgan**, Hamilton (CA)  
(72) Inventor: **Scott Morgan**, Hamilton (CA)

D504,933 S \* 5/2005 Hopwood ..... D22/147  
D507,817 S \* 7/2005 Mitchell ..... D22/147  
D632,912 S \* 2/2011 Lamb ..... D6/552  
2013/0333268 A1 \* 12/2013 Henry, Jr. .... A01K 97/10  
43/4.5

\* cited by examiner

(\*\*) Term: **14 Years**  
(21) Appl. No.: **29/525,998**

*Primary Examiner* — Wan Laymon  
*Assistant Examiner* — Mark Booker

(22) Filed: **May 5, 2015**  
(51) **LOC (10) CI.** ..... **06-06**  
(52) **U.S. Cl.**

(57) **CLAIM**  
The ornamental design for a fishing rod rack, as shown and described.

USPC ..... **D6/552**  
(58) **Field of Classification Search**  
USPC ..... D6/552, 553, 567; D22/109, 147;  
43/21; 211/13.1, 60.1, 64, 70.2, 70.6,  
211/70.8; 248/512, 520  
CPC ..... A01K 97/10; A01K 97/12; A01K 97/125;  
A01K 99/00; A47F 7/0021  
See application file for complete search history.

**DESCRIPTION**

FIG. 1 is a front plan view of the present design a fishing rod rack.  
FIG. 2 is left side plan view of the fishing rod rack shown in FIG. 1.  
FIG. 3 is a top plan view of the fishing rod rack shown in FIG. 1.  
FIG. 4 is a rear plan view of the fishing rod rack shown in FIG. 1.  
FIG. 5 is a front perspective view of the fishing rod rack shown in FIG. 1; and,  
FIG. 6 is a bottom perspective view of the fishing rod rack shown in FIG. 1.

(56) **References Cited**  
U.S. PATENT DOCUMENTS

D372,956 S \* 8/1996 Mills ..... D22/147  
D414,239 S \* 9/1999 Lovelady ..... D22/147  
D438,281 S \* 2/2001 Webster ..... D22/147  
D461,522 S \* 8/2002 James ..... D22/147

**1 Claim, 6 Drawing Sheets**

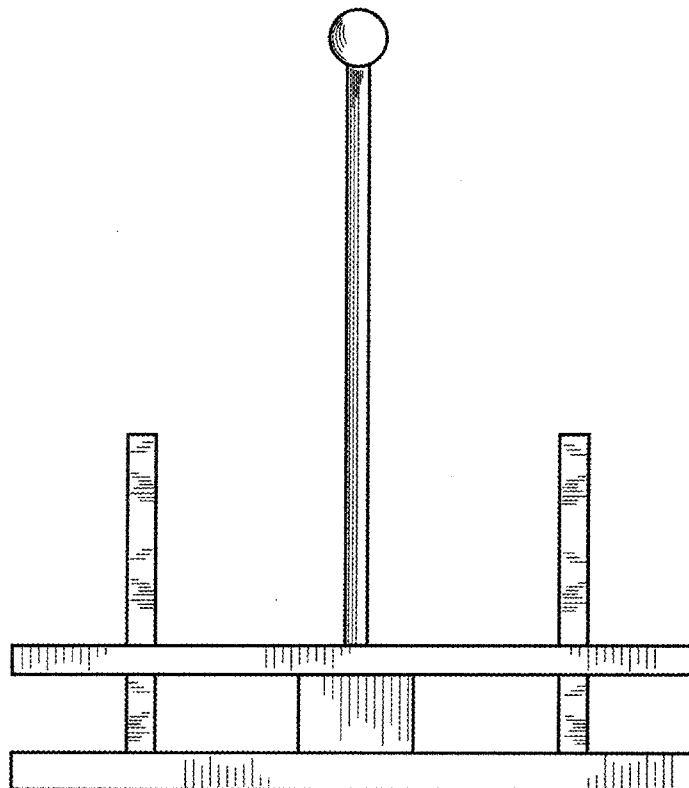


FIG. 1

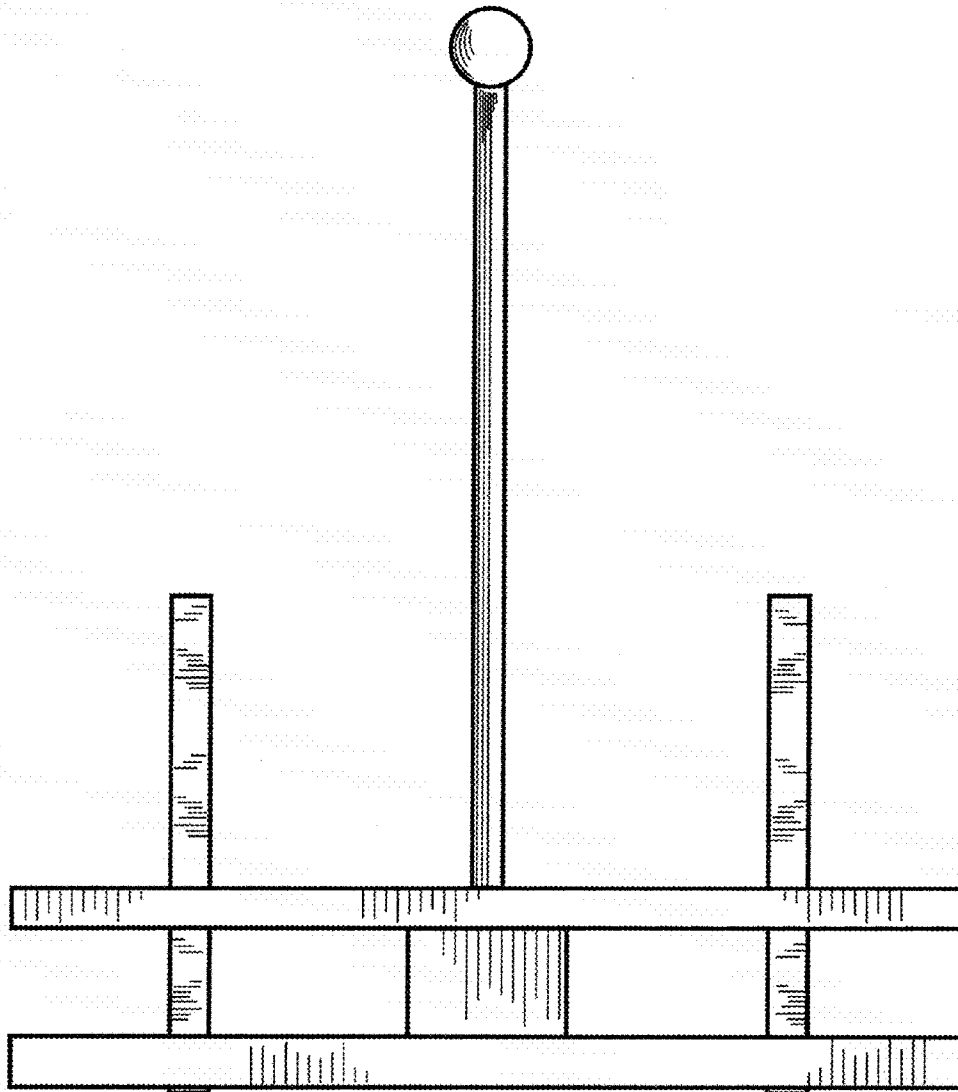


FIG. 2

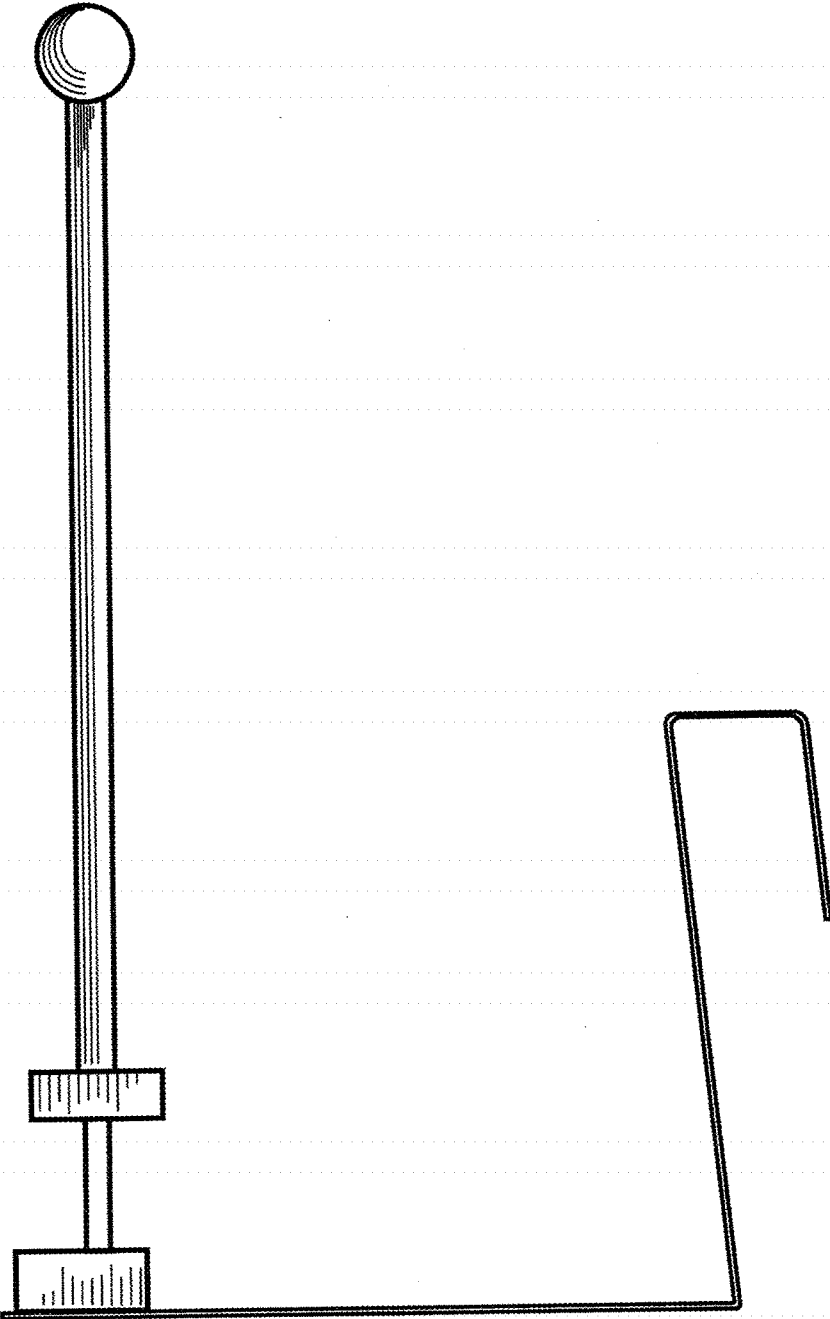


FIG. 3

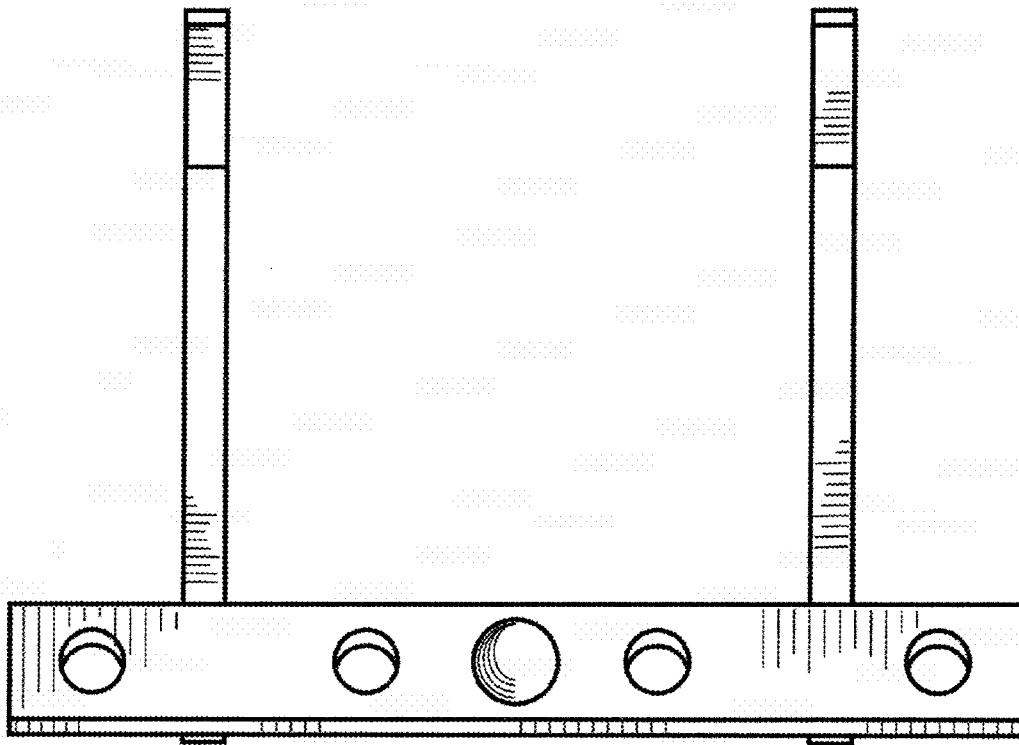


FIG. 4

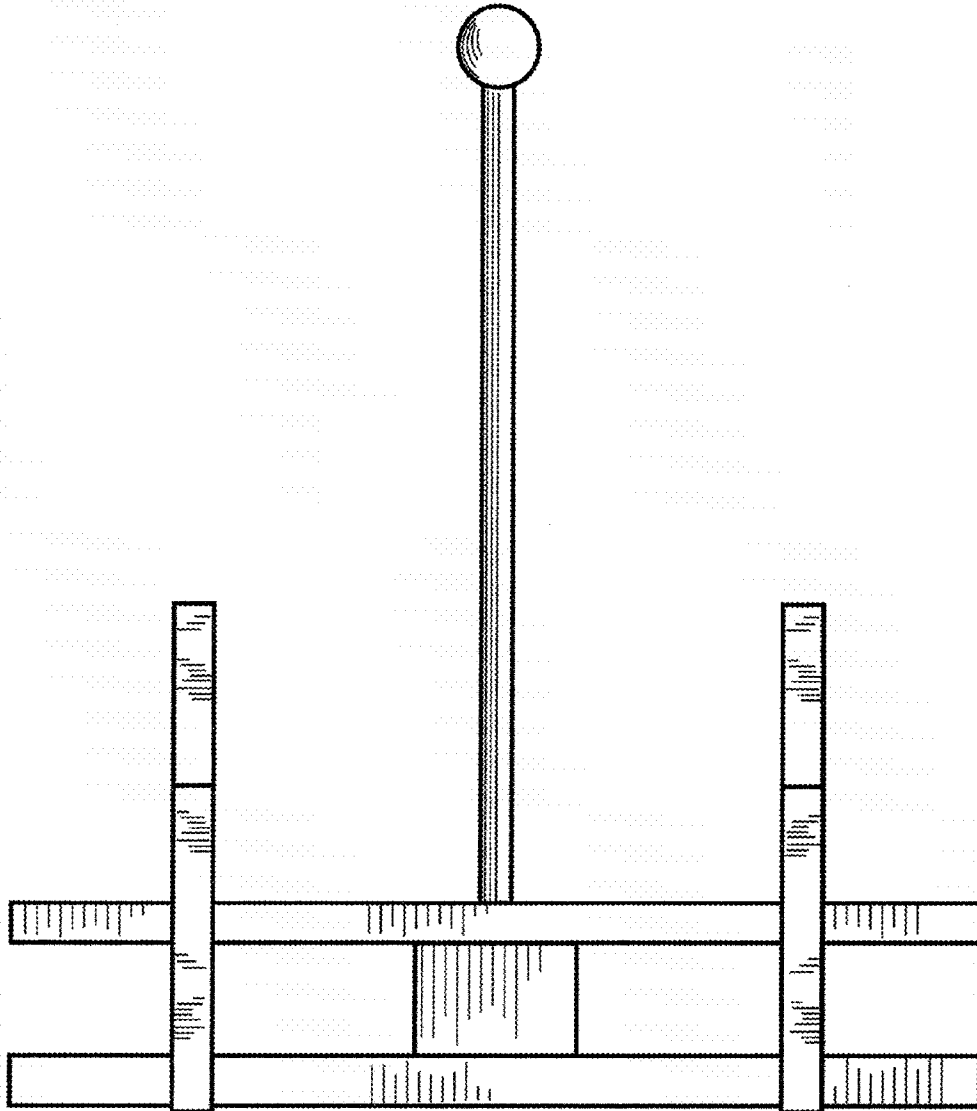


FIG. 5

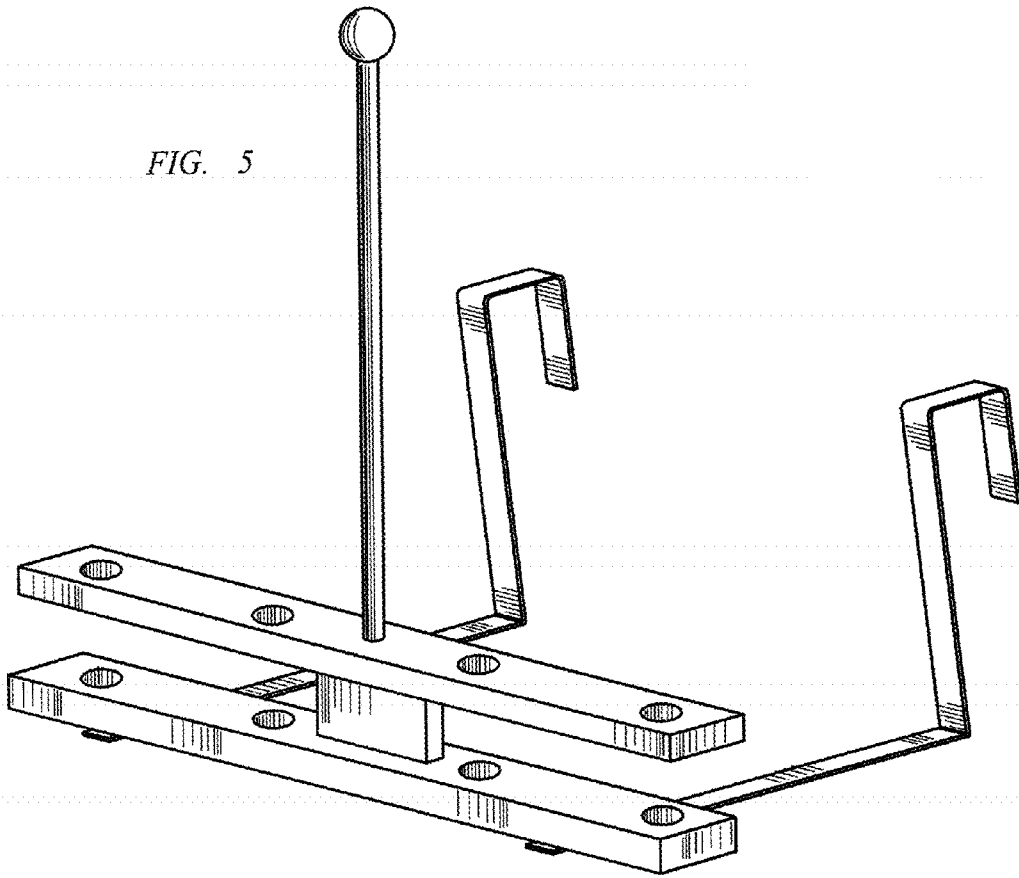


FIG. 6

