



US0D1012131S

(12) **United States Design Patent**
Kenno et al.

(10) **Patent No.:** **US D1,012,131 S**
(45) **Date of Patent:** **** Jan. 23, 2024**

(54) **ROOF BIT**
(71) Applicant: **Kennametal Inc.**, Latrobe, PA (US)
(72) Inventors: **Brandon J. Kenno**, Windber, PA (US);
Thomas J. Long, II, Greensburg, PA (US)
(73) Assignee: **KENNAMETAL INC.**, Latrobe, PA (US)
(**) Term: **15 Years**
(21) Appl. No.: **29/829,220**
(22) Filed: **Mar. 3, 2022**
(51) **LOC (14) Cl.** **15-09**
(52) **U.S. Cl.**
USPC **D15/139; D15/21**
(58) **Field of Classification Search**
USPC D15/29, 21, 139, 28; 175/339, 377, 378,
175/393, 420.1, 429, 430
CPC E21B 10/58; E21B 10/54; E21B 10/55;
E21B 10/62; E21B 10/56; E21B 10/633;
E21B 10/573; E21B 10/5673; E21B
10/602; E21B 10/26; E21B 10/567; E21B
10/42; E21B 10/43; E21D 20/00; E21D
20/003

5,875,858 A 3/1999 Brady
D424,579 S 5/2000 Brady
D430,578 S * 9/2000 Brady D15/139
6,374,932 B1 4/2002 Brady
D483,042 S * 12/2003 Brady D15/21
D483,382 S * 12/2003 Brady D15/21
D487,753 S * 3/2004 Brady D15/21
D529,937 S * 10/2006 Brady D15/139
D682,325 S * 5/2013 Monyak D15/139
D682,326 S * 5/2013 Monyak D15/139
8,567,533 B2 * 10/2013 Myers E21D 20/00
175/420.1
9,080,400 B1 7/2015 Cox et al.
9,771,760 B2 9/2017 Cox et al.
2007/0119624 A1 5/2007 Brady
2008/0035389 A1 * 2/2008 Hall E21B 10/56
175/434
2011/0284294 A1 11/2011 Cox et al.
2011/0297451 A1 12/2011 Cox et al.
2012/0043138 A1 2/2012 Myers et al.
2012/0160573 A1 6/2012 Myers
2012/0279786 A1 11/2012 Cox

(Continued)
Primary Examiner — Mark A Goodwin
(74) *Attorney, Agent, or Firm* — Larry R. Meenan

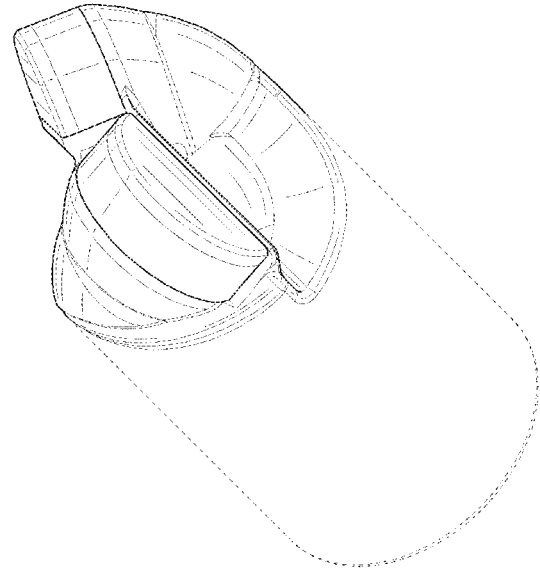
(57) **CLAIM**
The ornamental design for a roof bit, as shown and described.

DESCRIPTION

FIG. 1 is a top isometric view of a roof bit showing our new design;
FIG. 2 is a bottom isometric view thereof;
FIG. 3 is side view thereof;
FIG. 4 is another side view thereof;
FIG. 5 is a top view thereof; and,
FIG. 6 is a bottom view thereof.
The broken lines in the drawings depict unclaimed environmental subject matter.

1 Claim, 5 Drawing Sheets

(56) **References Cited**
U.S. PATENT DOCUMENTS
4,352,400 A 10/1982 Grappendorf et al.
4,550,791 A 11/1985 Isakov
D307,279 S * 4/1990 Vincent D15/139
5,180,022 A 1/1993 Brady
D340,248 S * 10/1993 Brady D15/139
D351,174 S * 10/1994 Brady D15/139
5,383,526 A 1/1995 Brady
5,400,861 A 3/1995 Sheirer
5,429,199 A 7/1995 Sheirer et al.



(56)

References Cited

U.S. PATENT DOCUMENTS

2013/0075166	A1*	3/2013	Cox	E21B 10/54 175/393
2013/0192902	A1	8/2013	Monyak et al.	
2014/0262534	A1*	9/2014	Cox	E21B 10/60 175/295
2016/0237755	A1	8/2016	Cox	

* cited by examiner

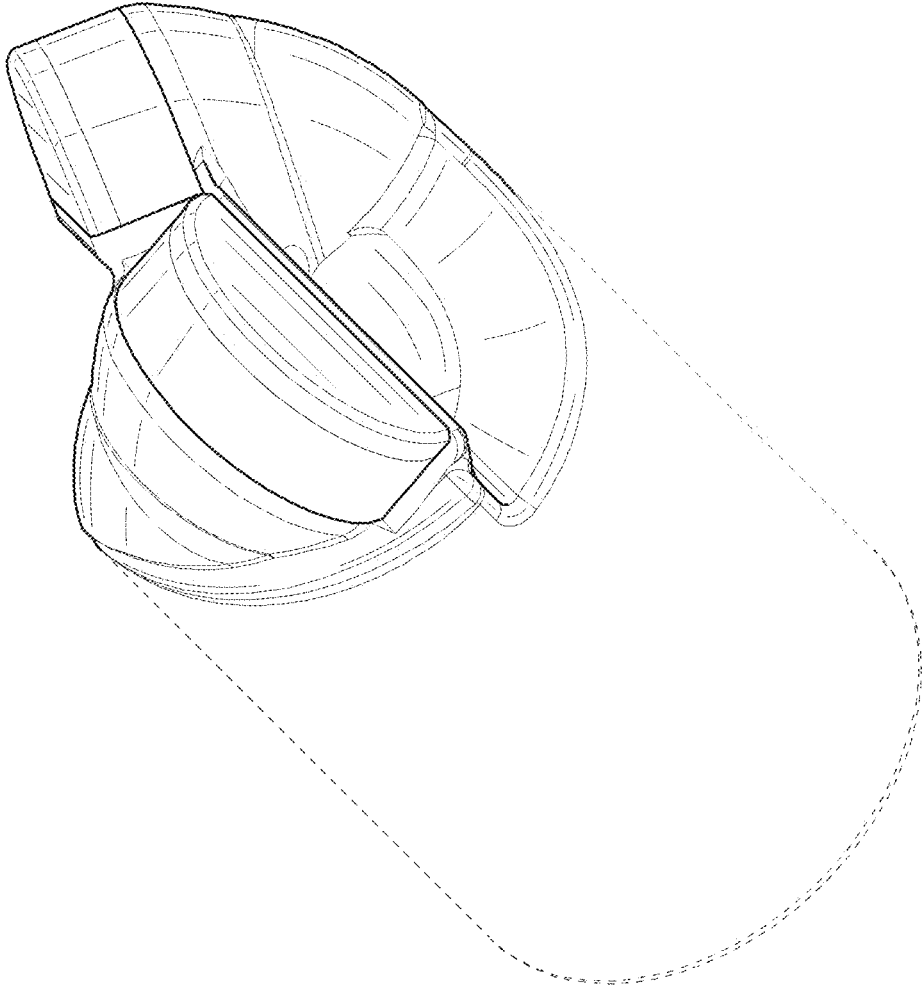


FIG. 1

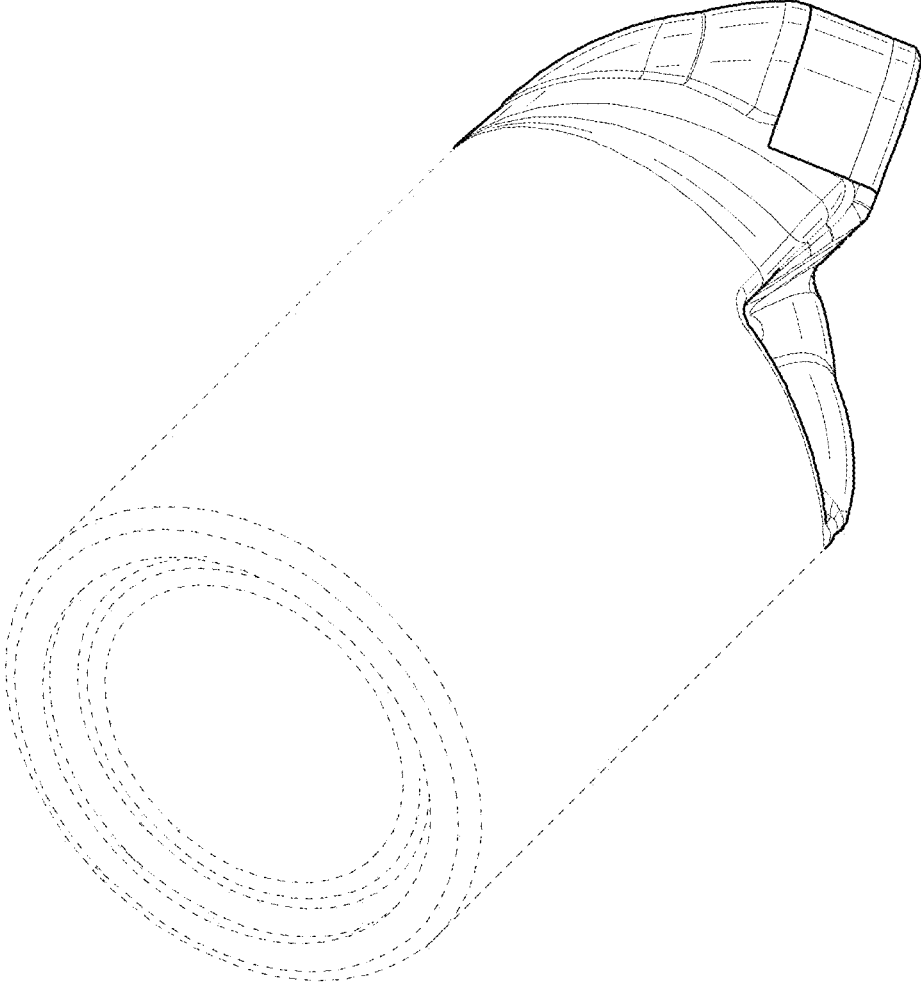


FIG. 2

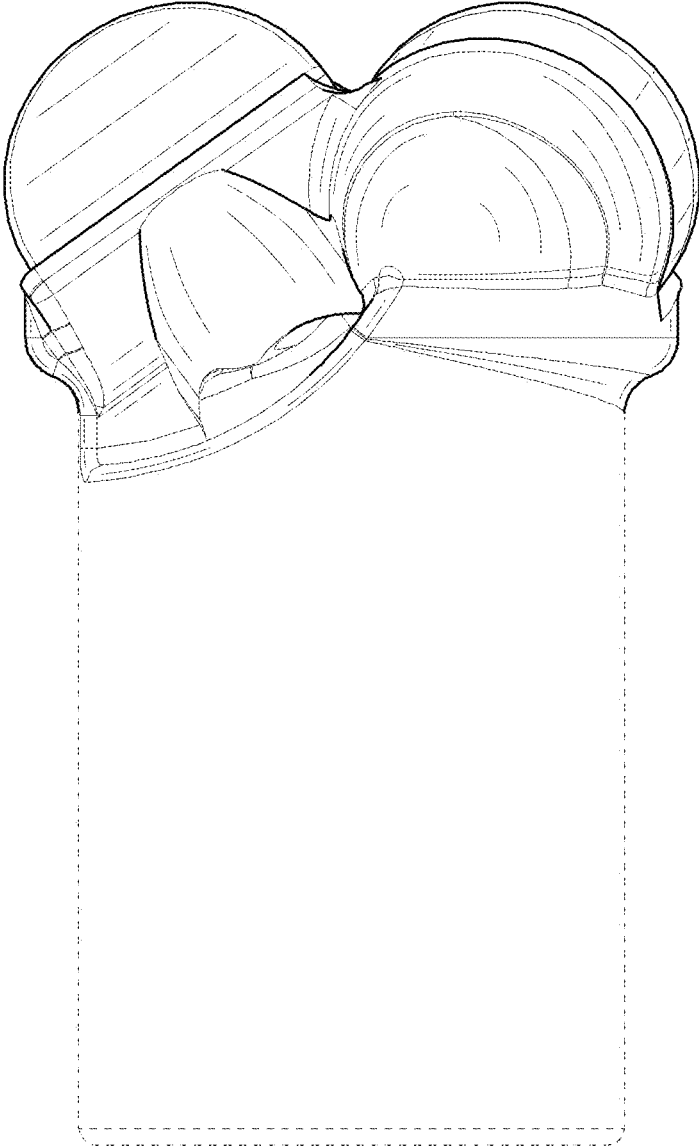


FIG. 3

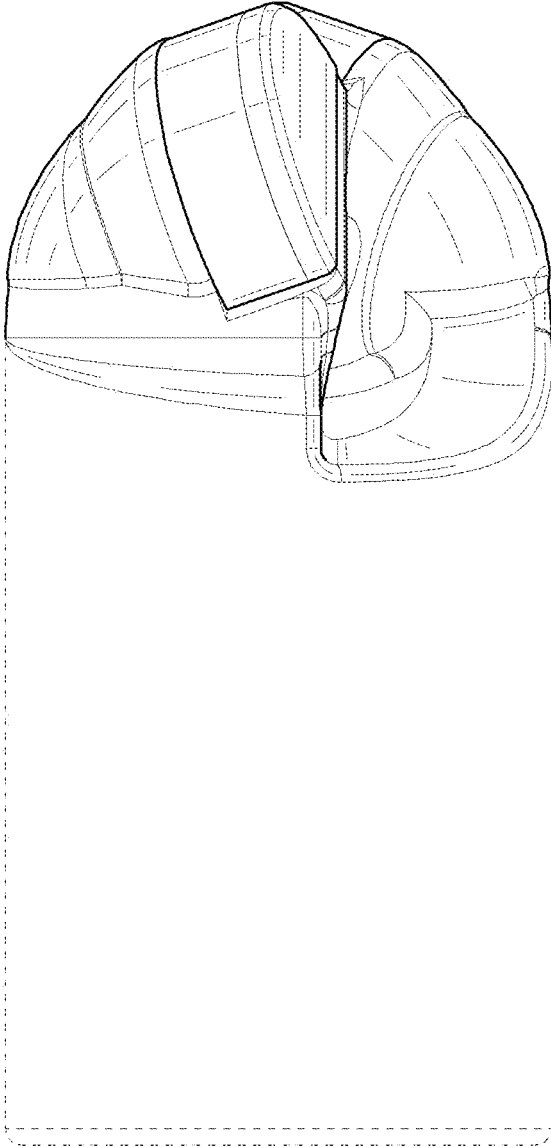


FIG. 4

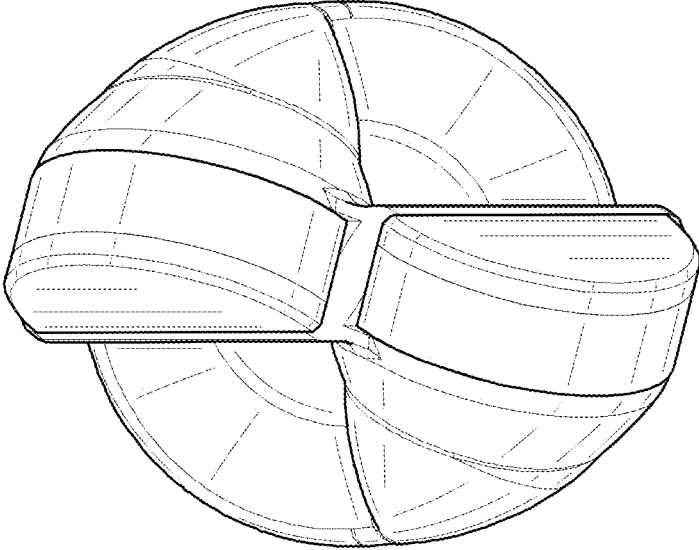


FIG. 5

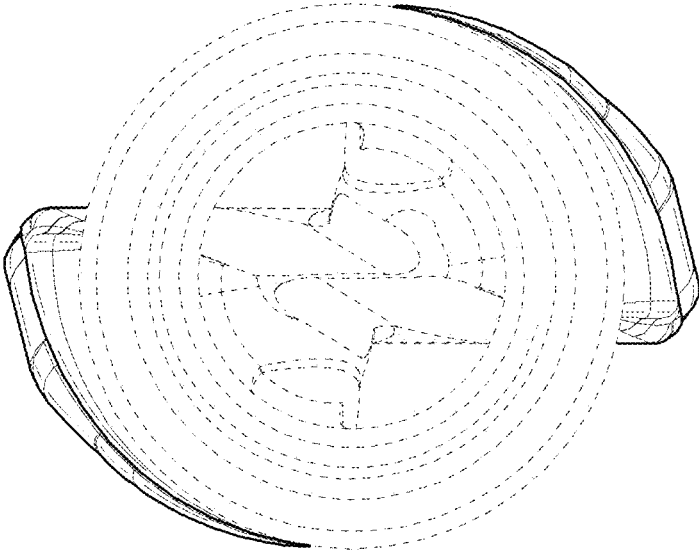


FIG. 6