



US00D438518S

(12) **United States Design Patent**
Kanatani et al.

(10) **Patent No.:** **US D438,518 S**

(45) **Date of Patent:** **** Mar. 6, 2001**

(54) **MONITOR TELEVISION RECEIVER**

D. 422,979 * 4/2000 Lee D14/375
D. 423,475 * 4/2000 Maruyama et al. D14/375

(75) Inventors: **Masakazu Kanatani; Takao Nakayama**, both of Tokyo (JP)

OTHER PUBLICATIONS

“90”, p. 214, Sony, Nov. 1998.

(73) Assignee: **Sony Corporation**, Tokyo (JP)

* cited by examiner

(**) Term: **14 Years**

Primary Examiner—Catherine Tuttle

(21) Appl. No.: **29/125,610**

(74) *Attorney, Agent, or Firm*—Rader, Fishman & Grauer

(22) Filed: **Jun. 27, 2000**

(57) **CLAIM**

(51) **LOC (7) Cl.** **14-03**

The ornamental design for a monitor television receiver, as shown and described.

(52) **U.S. Cl.** **D14/126**

(58) **Field of Search** D14/125-129,
D14/131-134, 371, 374-381, 314, 334-336;
361/681; 349/58; 345/905; 348/794, 836,
838; 248/917-924

DESCRIPTION

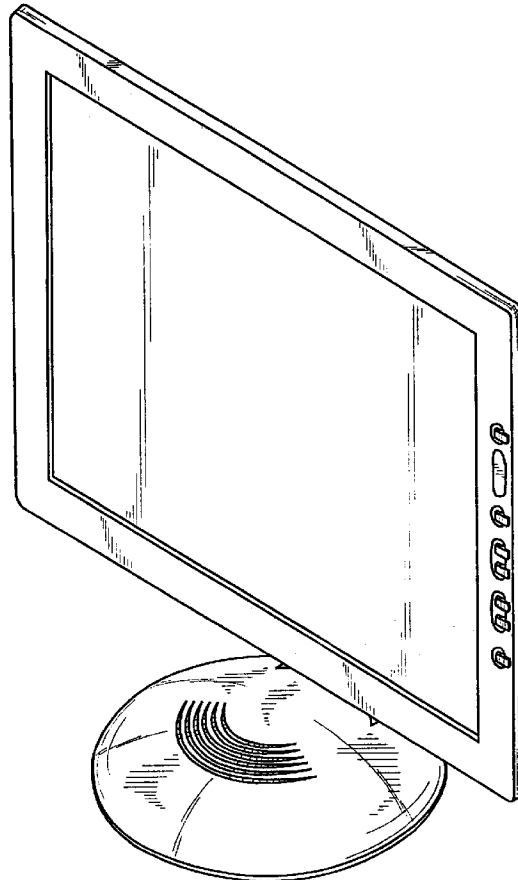
FIG. 1 is a front perspective view of a monitor television receiver showing our design;
FIG. 2 is a top plan view thereof;
FIG. 3 is a bottom plan view thereof;
FIG. 4 is a left side elevational view thereof;
FIG. 5 is a right side elevational view thereof;
FIG. 6 is a front elevational view thereof; and,
FIG. 7 is a rear elevational view thereof.

(56) **References Cited**

U.S. PATENT DOCUMENTS

D. 394,248	*	5/1998	Duan	D14/375
D. 411,522	*	6/1999	Chuo et al.	D14/375
D. 412,892	*	8/1999	Lee	D14/375
D. 413,595		9/1999	Arie	D14/126
D. 416,875	*	11/1999	Chuo et al.	D14/375

1 Claim, 4 Drawing Sheets



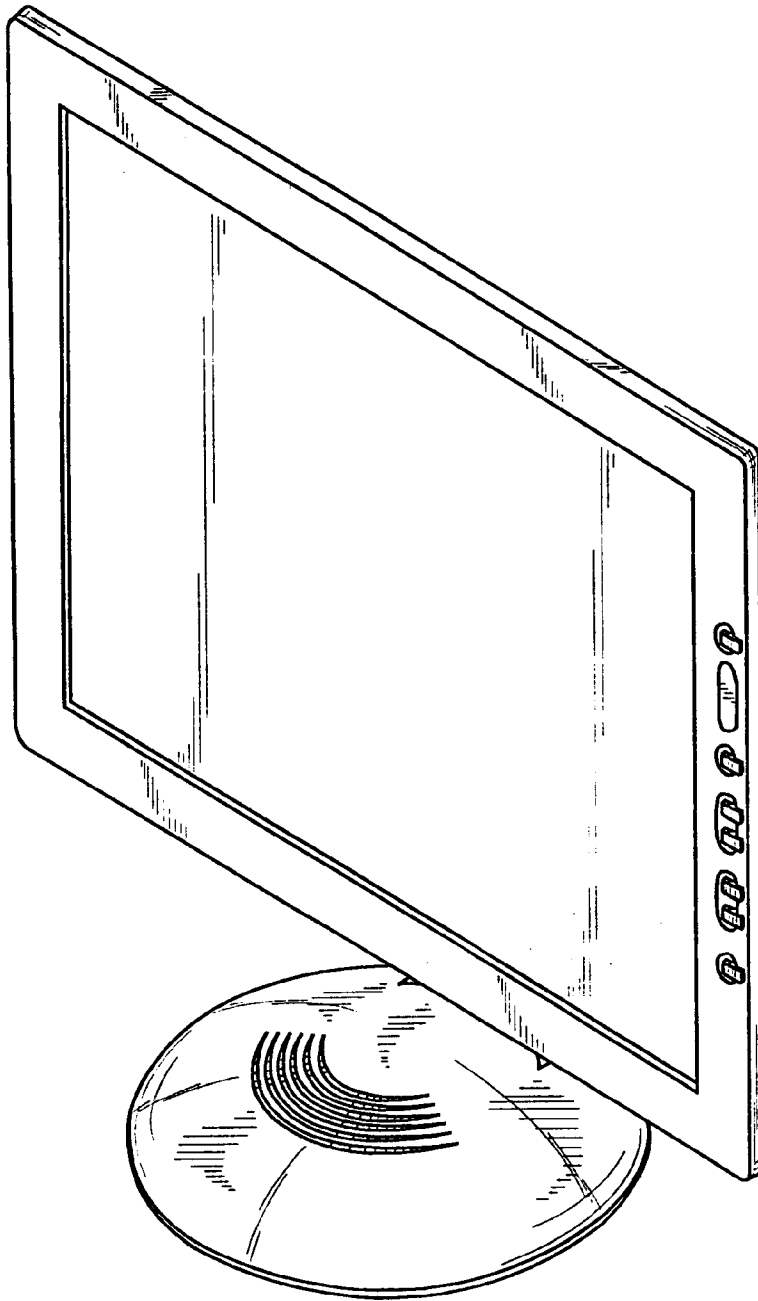


Fig. 1

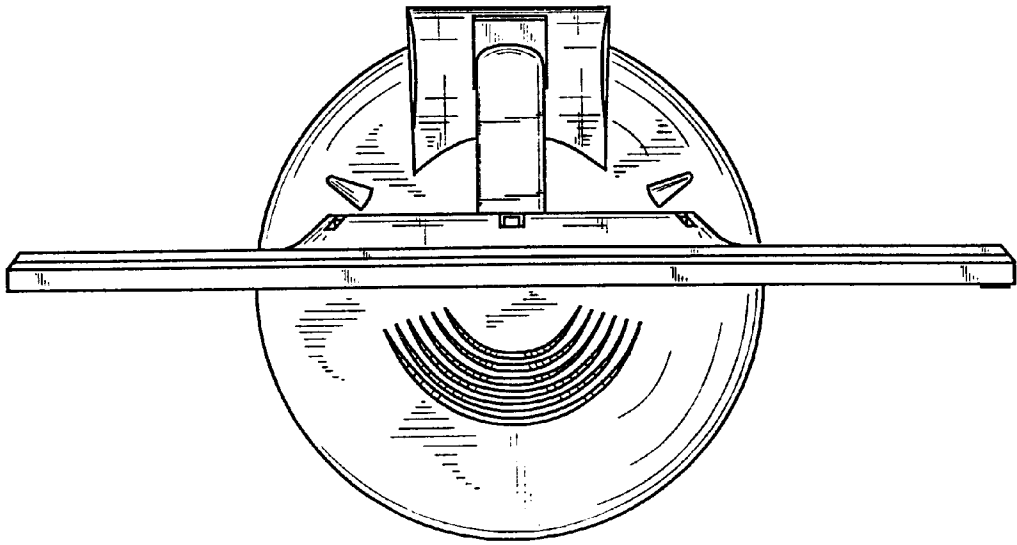


Fig. 2

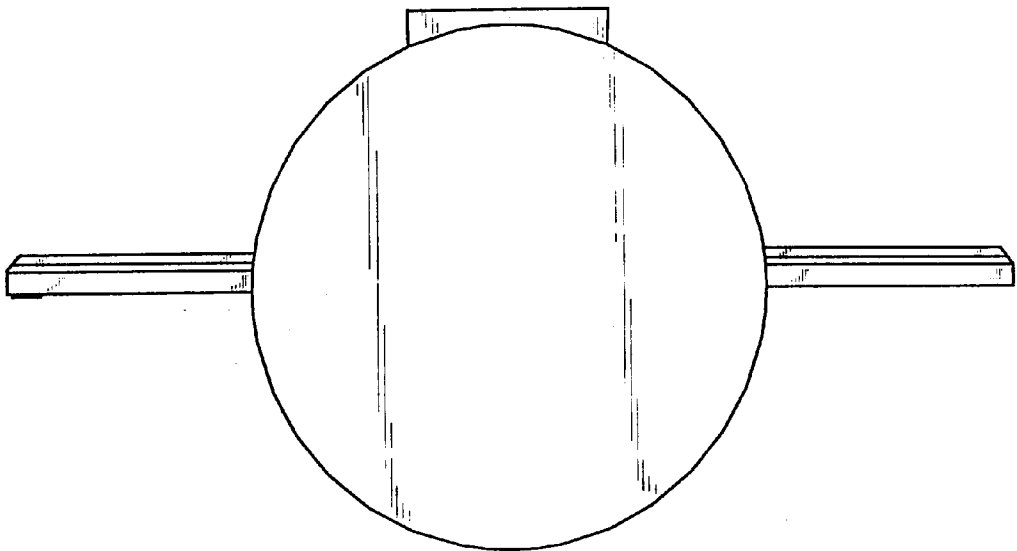


Fig. 3

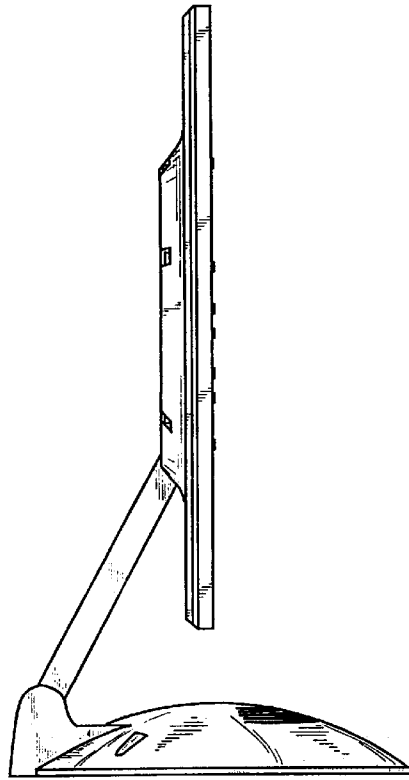


Fig. 4

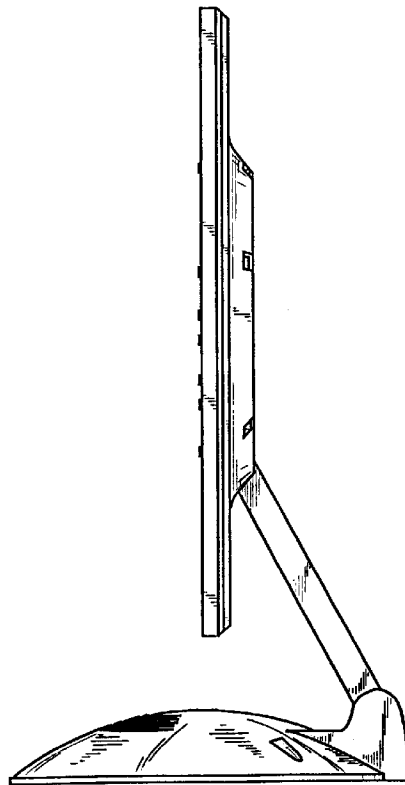


Fig. 5

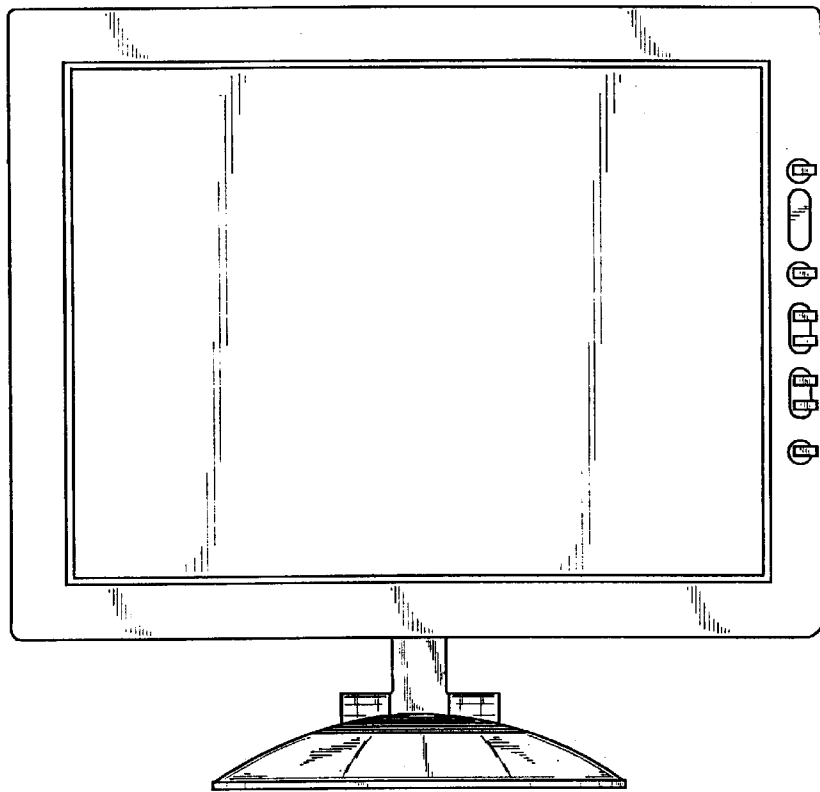


Fig. 6

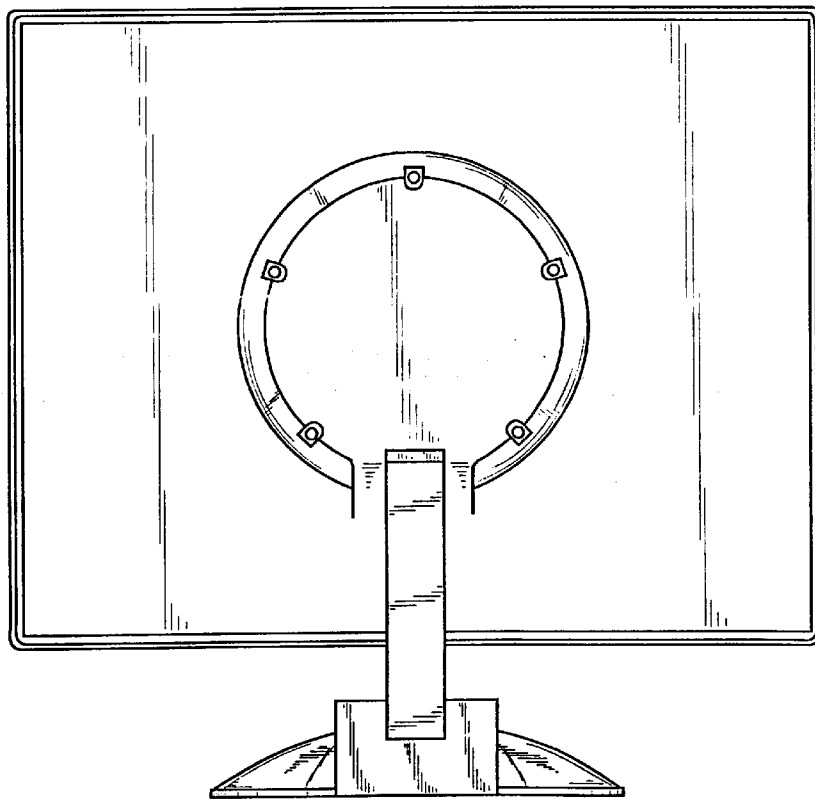


Fig. 7