



US0D1063172S

(12) **United States Design Patent**
Lu

(10) **Patent No.:** **US D1,063,172 S**

(45) **Date of Patent:** **** Feb. 18, 2025**

(54) **LIGHTING DECORATION**

(71) Applicant: **Zhiming Lu**, Taizhou (CN)

(72) Inventor: **Zhiming Lu**, Taizhou (CN)

(**) Term: **15 Years**

(21) Appl. No.: **29/970,364**

(22) Filed: **Oct. 28, 2024**

(30) **Foreign Application Priority Data**

Sep. 7, 2024 (CN) 202430572455.5

(51) **LOC (15) Cl.** **26-05**

(52) **U.S. Cl.**
USPC **D26/102; D26/101**

(58) **Field of Classification Search**

USPC D26/14, 24, 25, 60, 61, 62, 63, 64, 69,
D26/71, 80, 93, 101, 102, 107, 110, 143,
D26/144
CPC F21S 6/00; F21S 6/002; F21S 6/003; F21S
6/004; F21S 6/005; F21S 6/006; F21S
4/00; F21S 4/20; F21S 4/28; F21S 4/26;
F21W 2131/30

See application file for complete search history.

(56) **References Cited**

U.S. PATENT DOCUMENTS

D345,231 S *	3/1994	Kramer	D26/102
D624,689 S *	9/2010	Kao	D26/69
D655,834 S *	3/2012	Zhu	D26/25
D885,635 S *	5/2020	Cao	D26/81
D900,375 S *	10/2020	Lian	D26/101
D903,184 S *	11/2020	Yeh	D26/102
D915,659 S *	4/2021	Yeh	D26/102
D935,681 S *	11/2021	Gong	D26/81
D945,051 S *	3/2022	Gong	D26/110
D945,689 S *	3/2022	Gong	D26/110
D952,219 S	5/2022	Huang		
D967,469 S *	10/2022	Dai	D26/25

D970,796 S *	11/2022	Liu	D26/101
D974,643 S *	1/2023	Chen	D26/101
D984,004 S	4/2023	Li		
D986,447 S *	5/2023	He	D26/25
D987,876 S	5/2023	Huarong		
D991,519 S	7/2023	Wu		
D994,199 S *	8/2023	He	D26/101
D1,025,442 S	4/2024	Yongsheng		

(Continued)

Primary Examiner — Clint A Samuel

(57) **CLAIM**

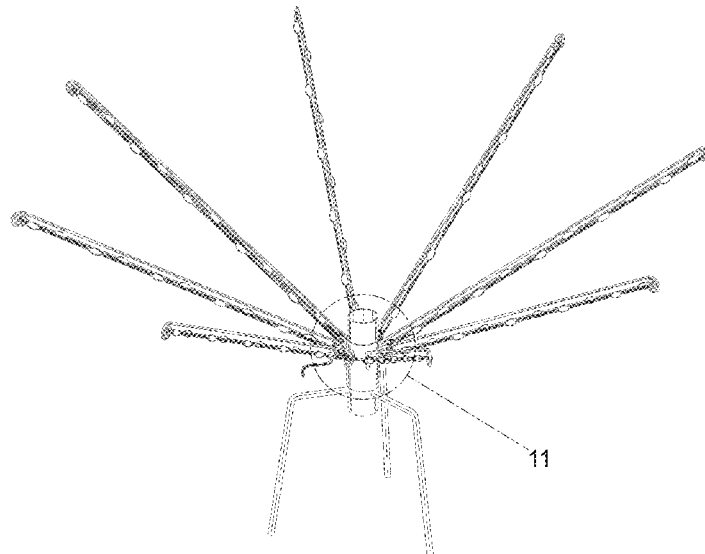
The ornamental design for a lighting decoration, as shown and described.

DESCRIPTION

FIG. 1 is a top perspective view of a lighting decoration design showing my new design;
FIG. 2 is a bottom perspective view of a lighting decoration design showing my new design;
FIG. 3 is a front view of FIG. 1;
FIG. 4 is a rear view of FIG. 1;
FIG. 5 is a left view of FIG. 1;
FIG. 6 is a right view of FIG. 1;
FIG. 7 is a top view of FIG. 1;
FIG. 8 is a bottom view of FIG. 1;
FIG. 9 is a perspective view of FIG. 1 where the lighting decoration is in a figuration of use;
FIG. 10 is a perspective view of FIG. 1 where the lighting decoration is in another figuration of use;
FIG. 11 is an enlarged view of the selected portion "11" in FIG. 1; and,
FIG. 12 is an enlarged view of the selected portion "12" in FIG. 2.

Any shading and cross-hatching are not features of the design but are utilized to illustrate the surface contours of the lighting decoration design in the drawings. The dash-dot-dash broken line defines the boundary of the enlarged views and form no part of the claimed design.

1 Claim, 12 Drawing Sheets



(56)

References Cited

U.S. PATENT DOCUMENTS

D1,025,443	S *	4/2024	Liu	D26/102
D1,032,051	S *	6/2024	Hu	D26/69
D1,039,205	S *	8/2024	Huang	D26/101
D1,052,776	S *	11/2024	Yan	D26/69
2003/0084931	A1 *	5/2003	Lee	A45B 3/04 135/910

* cited by examiner

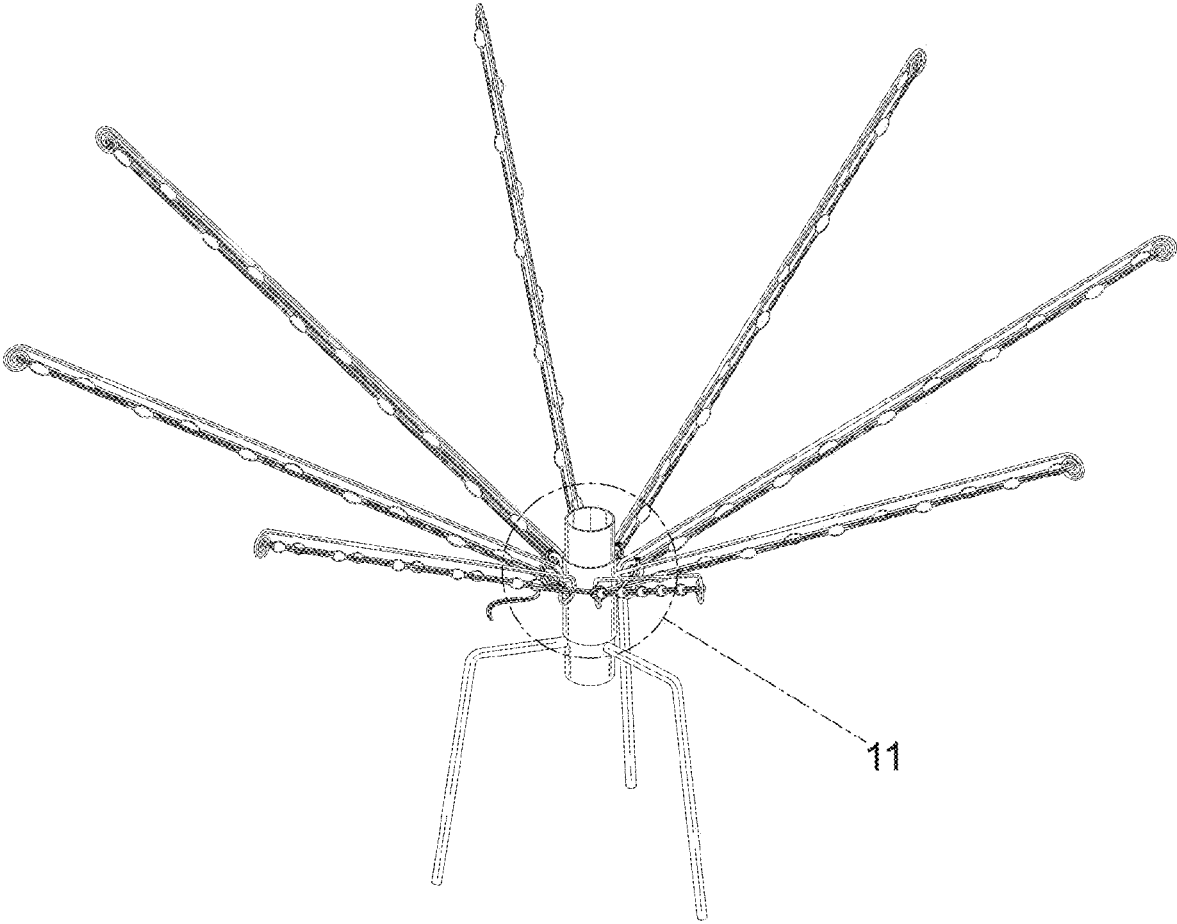


FIG. 1

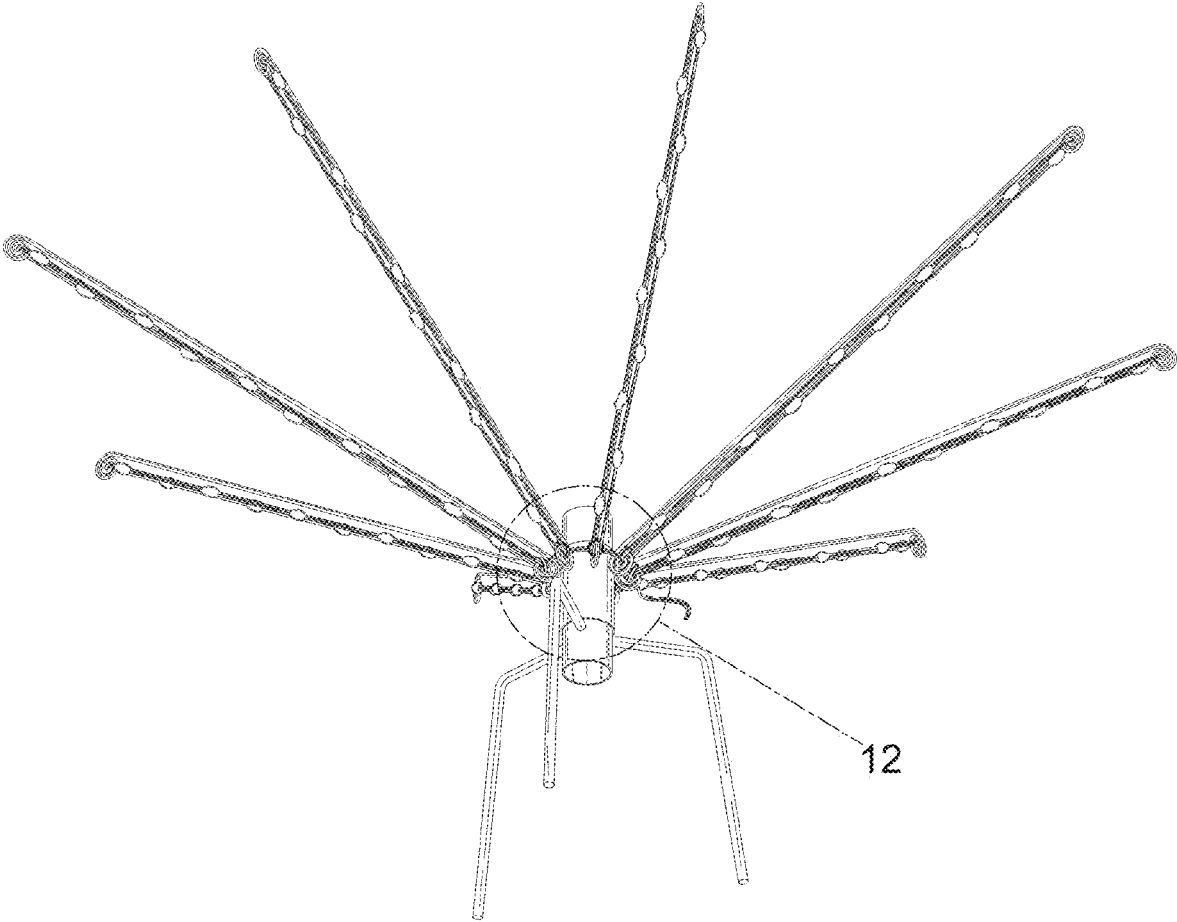


FIG. 2

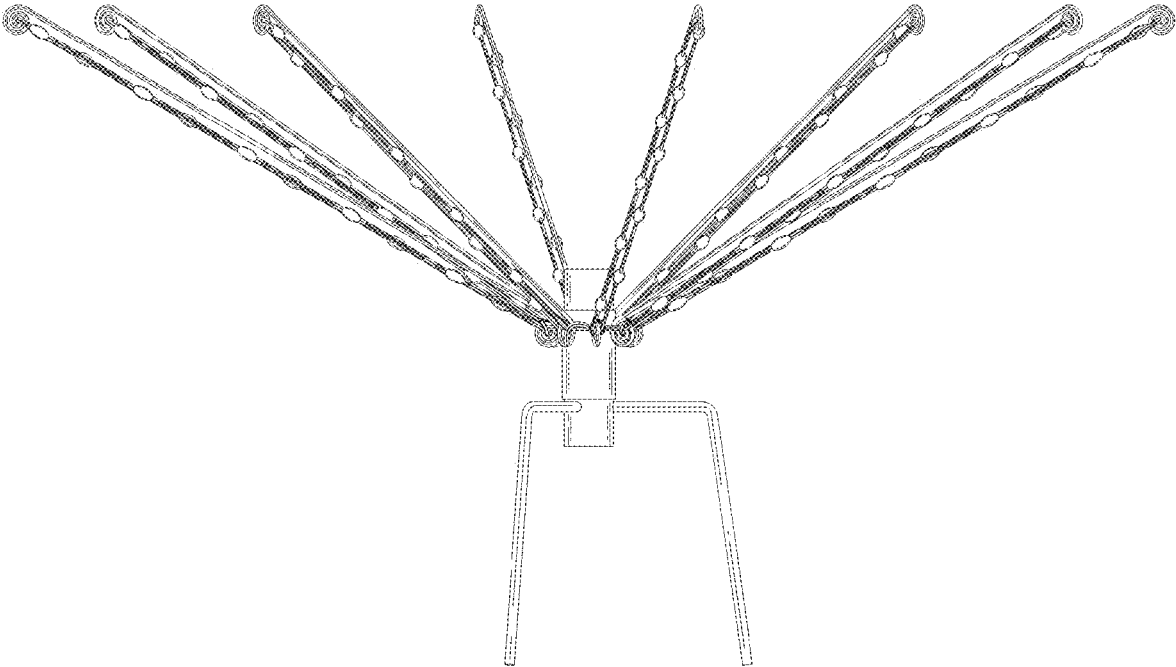


FIG. 3

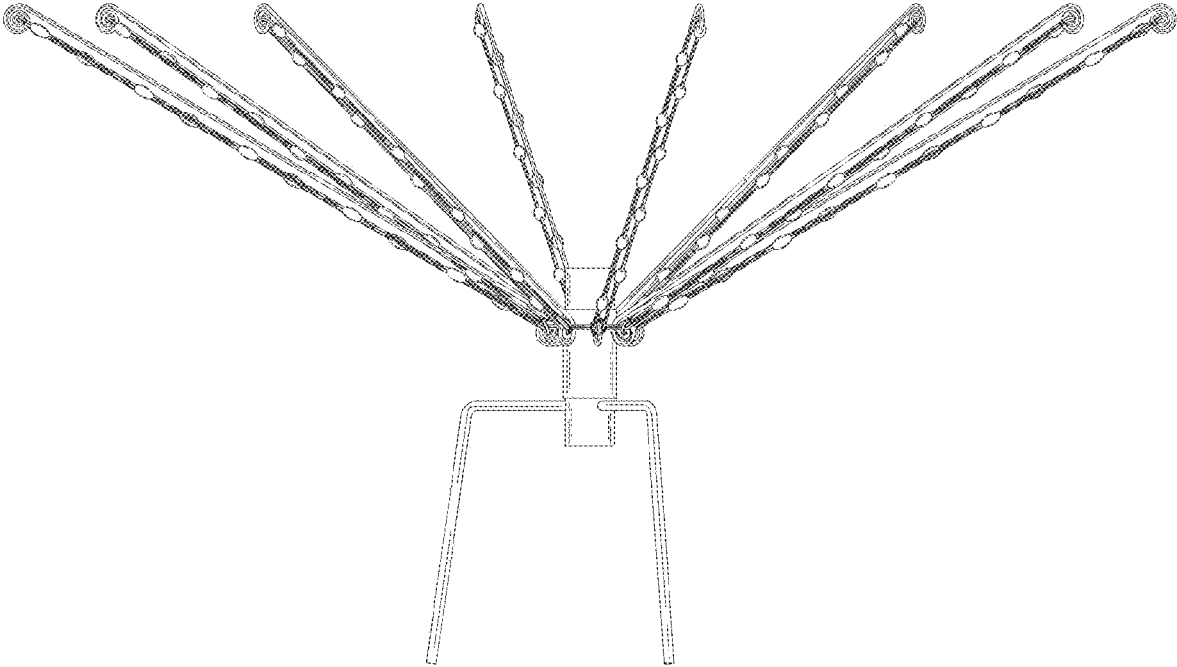


FIG. 4

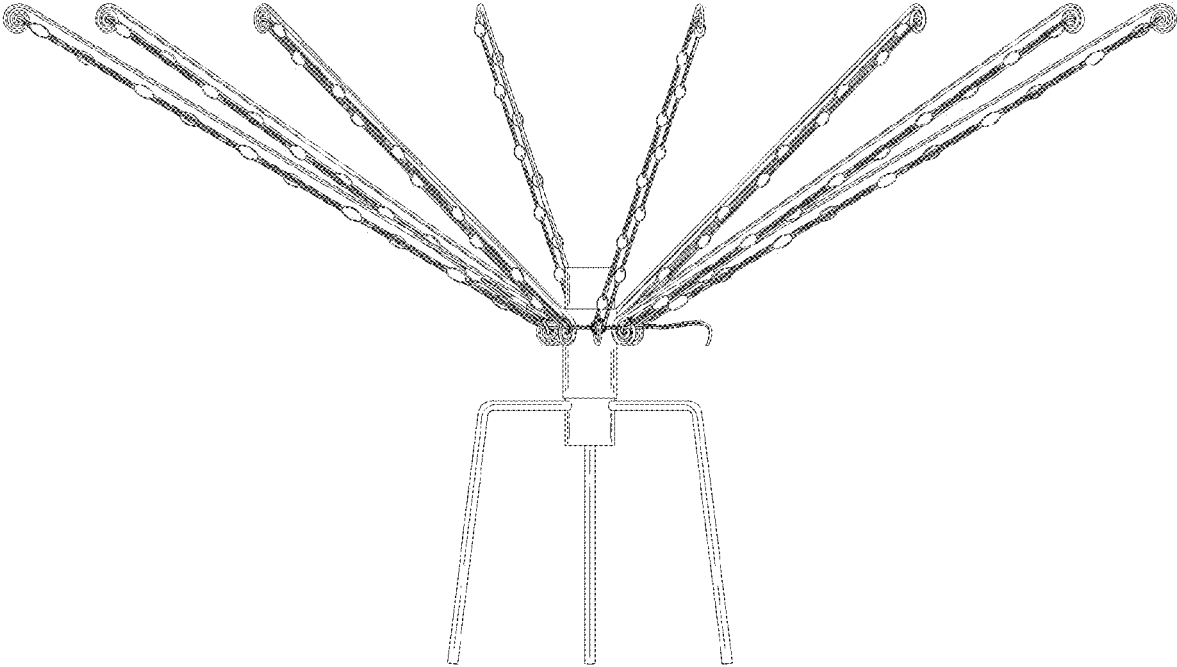


FIG. 5

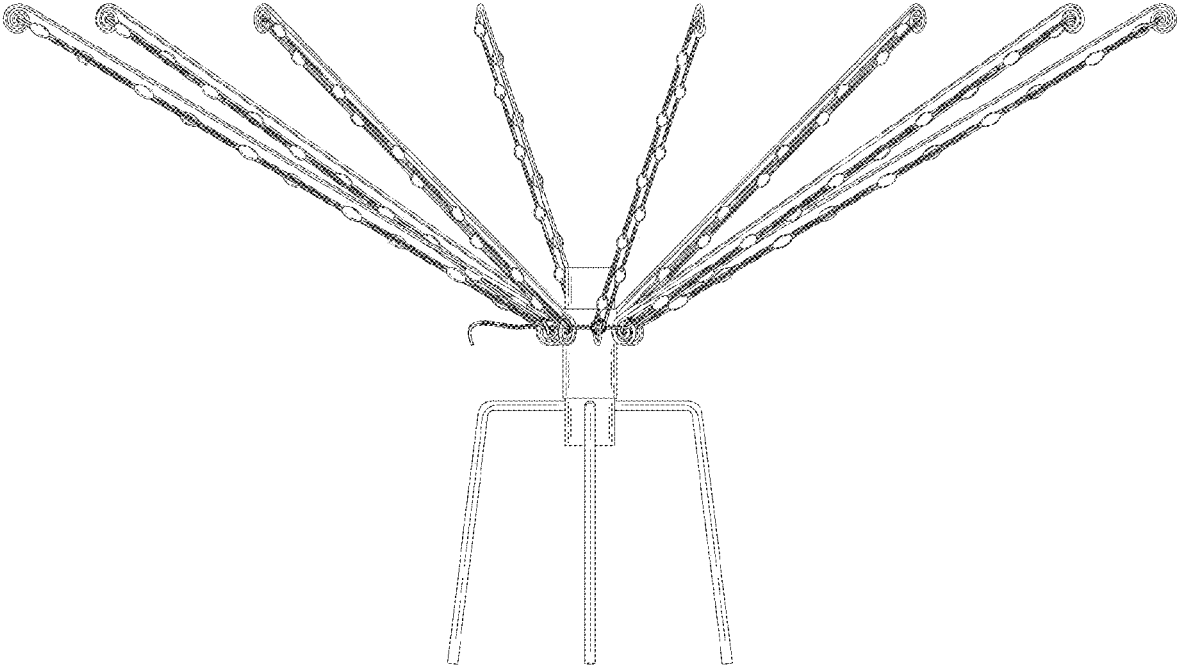


FIG. 6

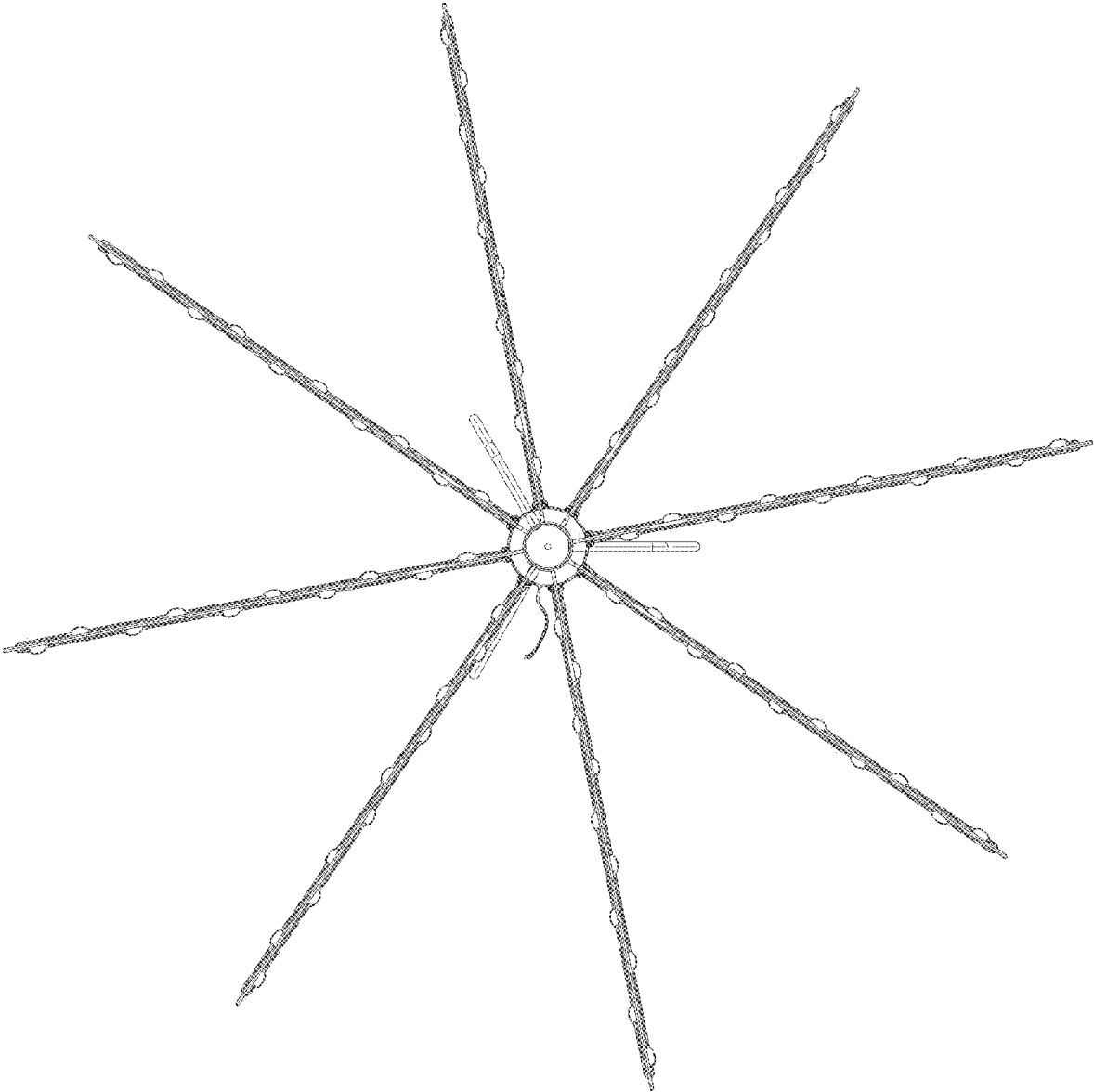


FIG. 7

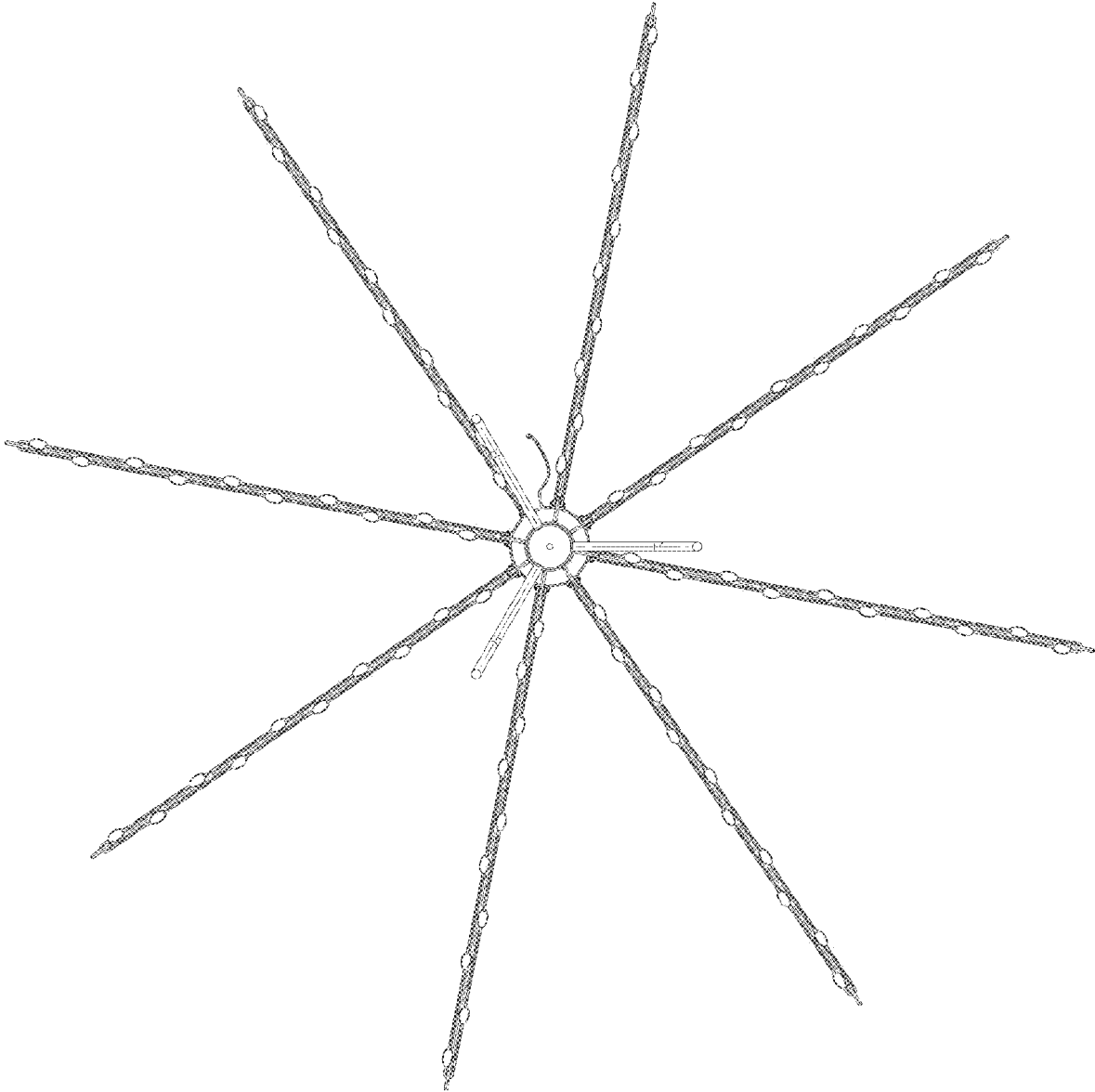


FIG. 8

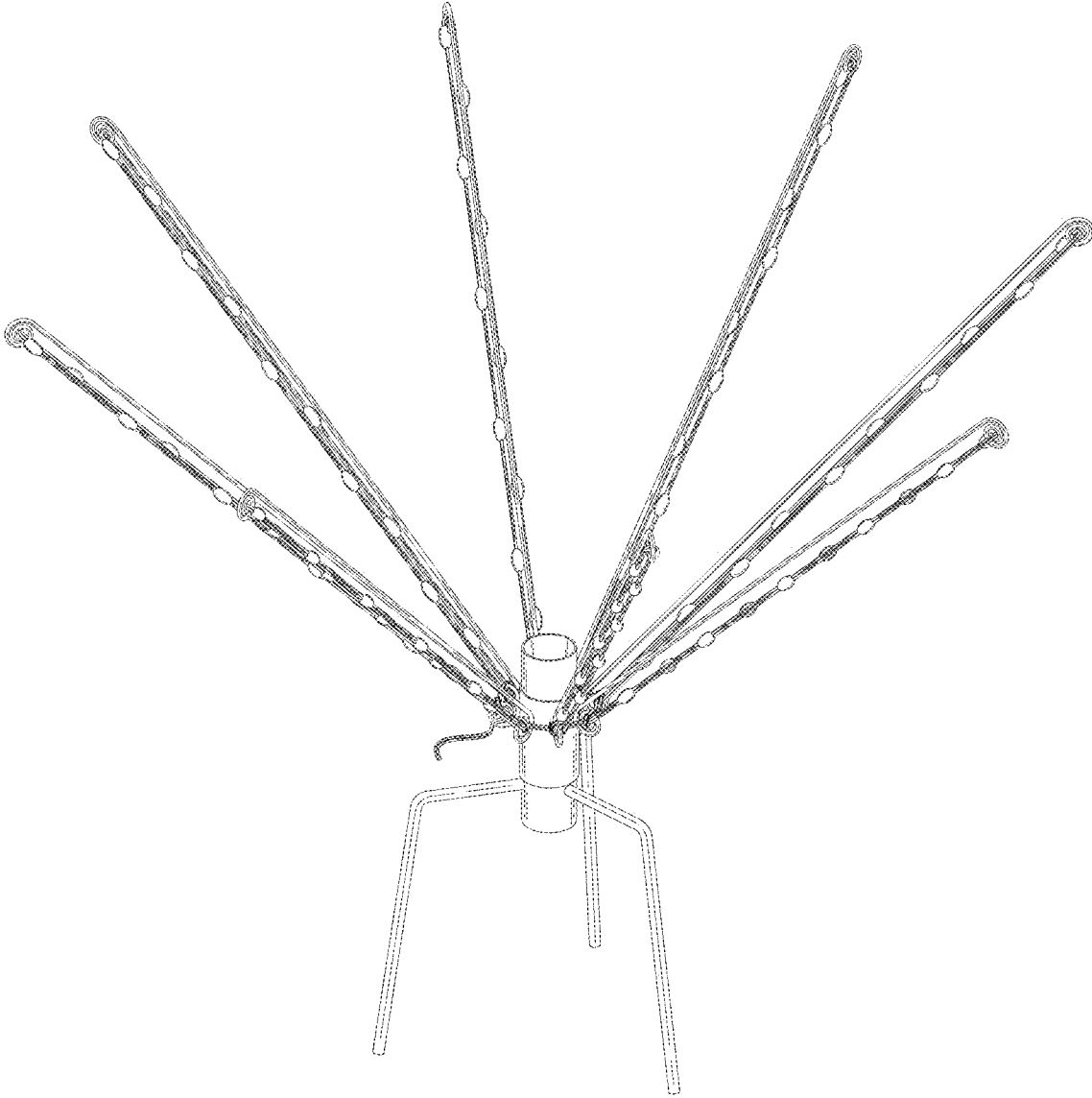


FIG. 9

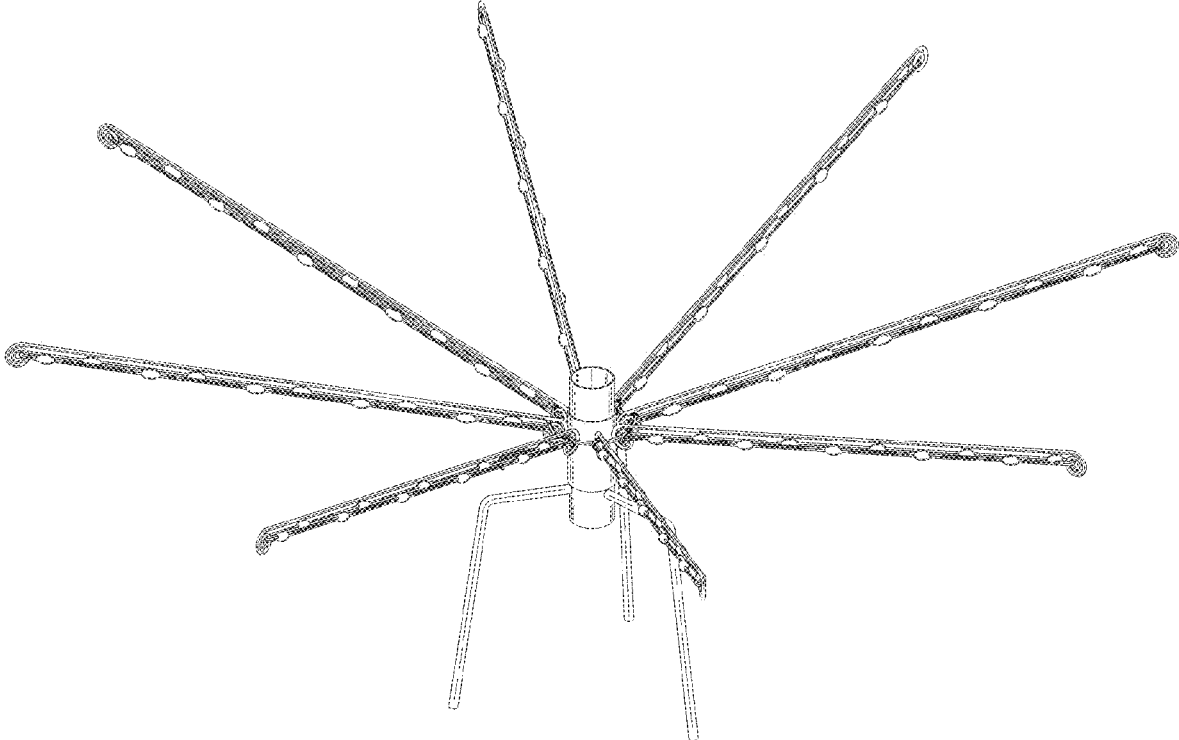


FIG. 10

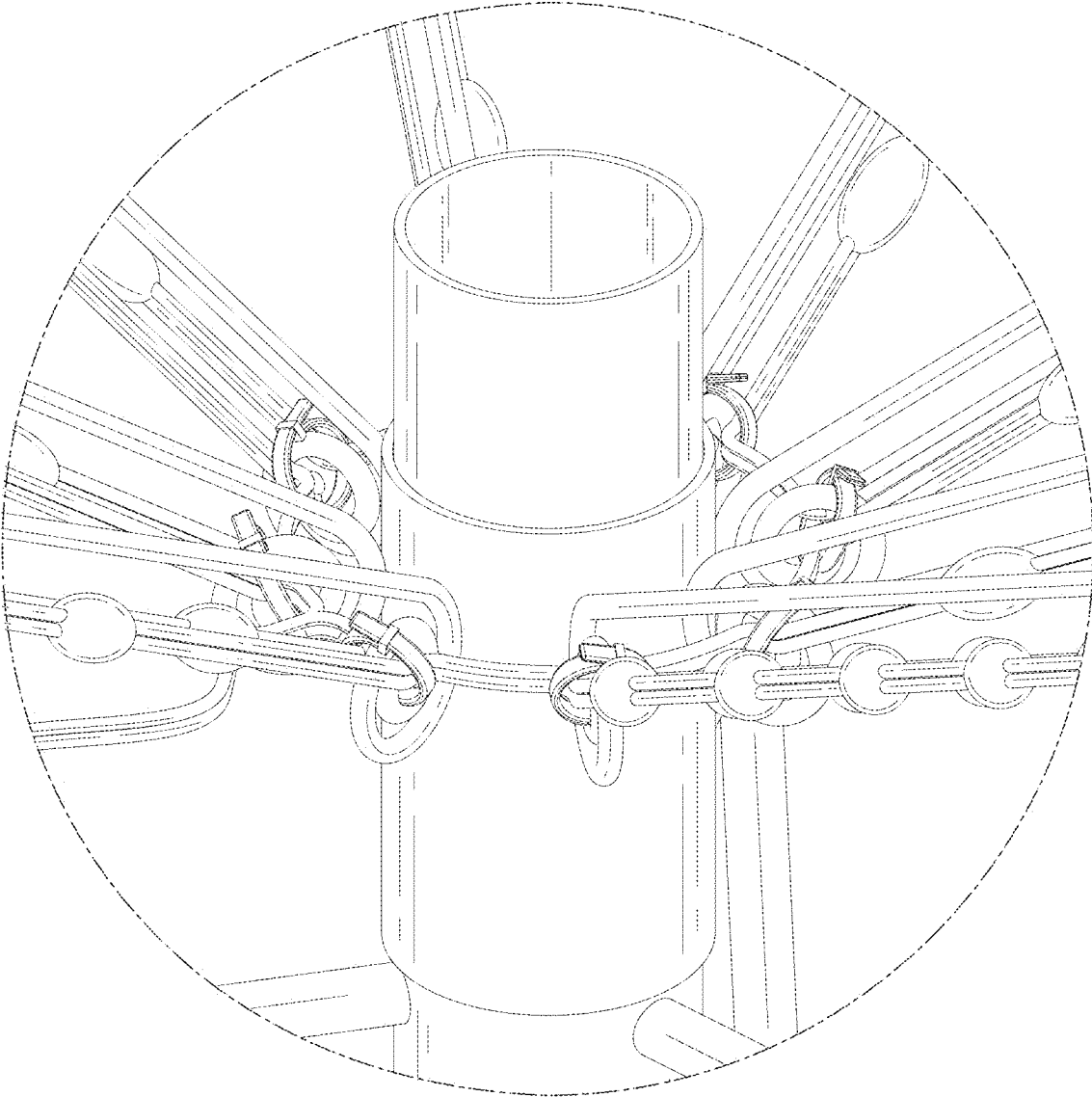


FIG. 11

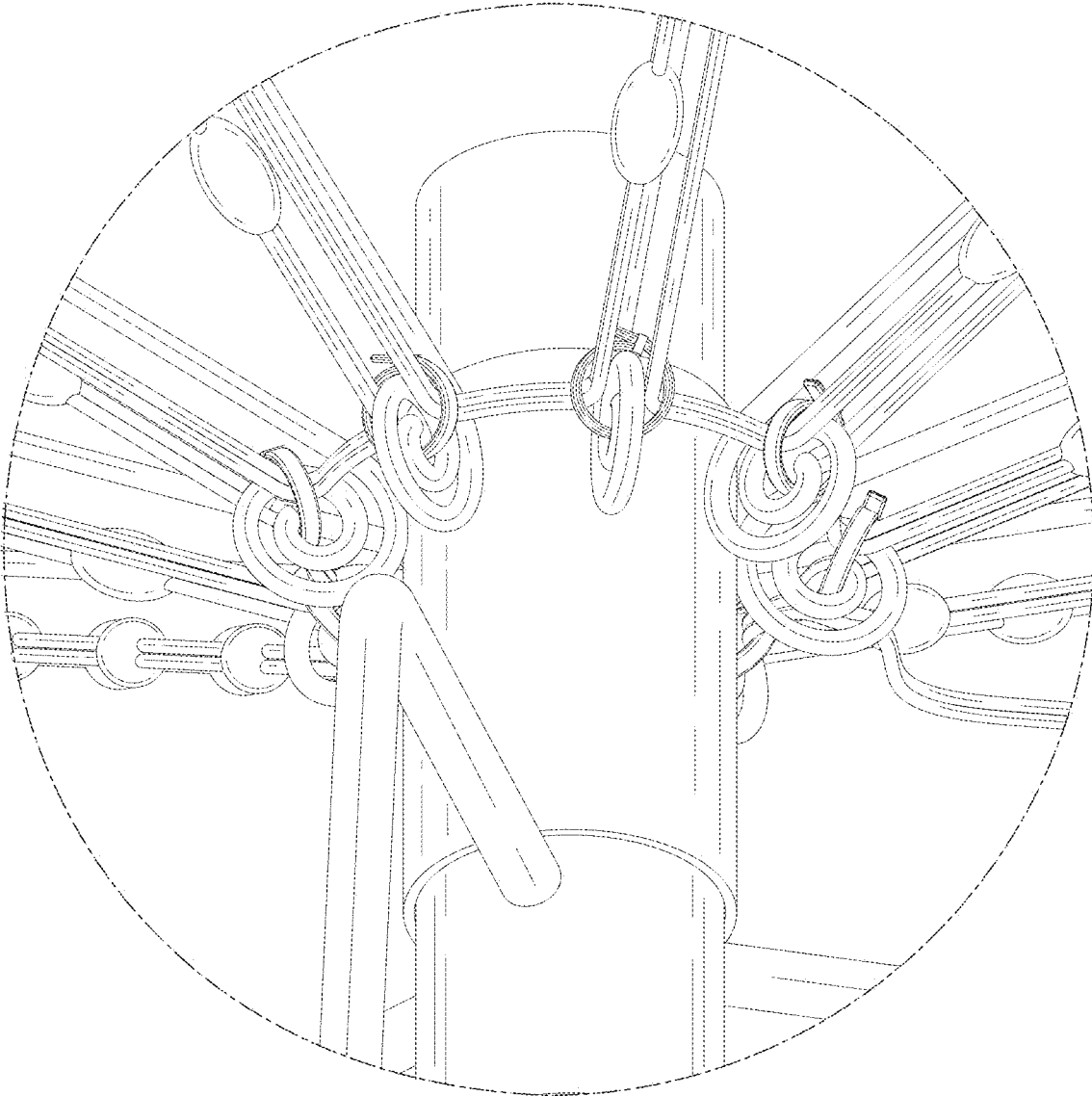


FIG. 12