

(19) World Intellectual Property Organization  
International Bureau



(43) International Publication Date  
17 April 2003 (17.04.2003)

PCT

(10) International Publication Number  
WO 03/032650 A1

(51) International Patent Classification<sup>7</sup>: H04N 17/00

(21) International Application Number: PCT/CH02/00508

(22) International Filing Date:  
16 September 2002 (16.09.2002)

(25) Filing Language: English

(26) Publication Language: English

(30) Priority Data:  
01810993.4 12 October 2001 (12.10.2001) EP

(71) Applicant (for all designated States except US): CSEM  
CENTRE SUISSE D'ELECTRONIQUE ET DE MI-  
CROTECHNIQUE SA [CH/CH]; Rue Jaquet-Droz 1,  
CH-2007 Neuchâtel (CH).

(72) Inventor; and

(75) Inventor/Applicant (for US only): SEITZ, Peter  
[CH/CH]; Bergstrasse 35, CH-8902 Urdorf (CH).

(74) Agent: PATENTANWÄLTE FELDMANN & PART-  
NER AG; Kanalstrasse 17, CH-8152 Glattbrugg (CH).

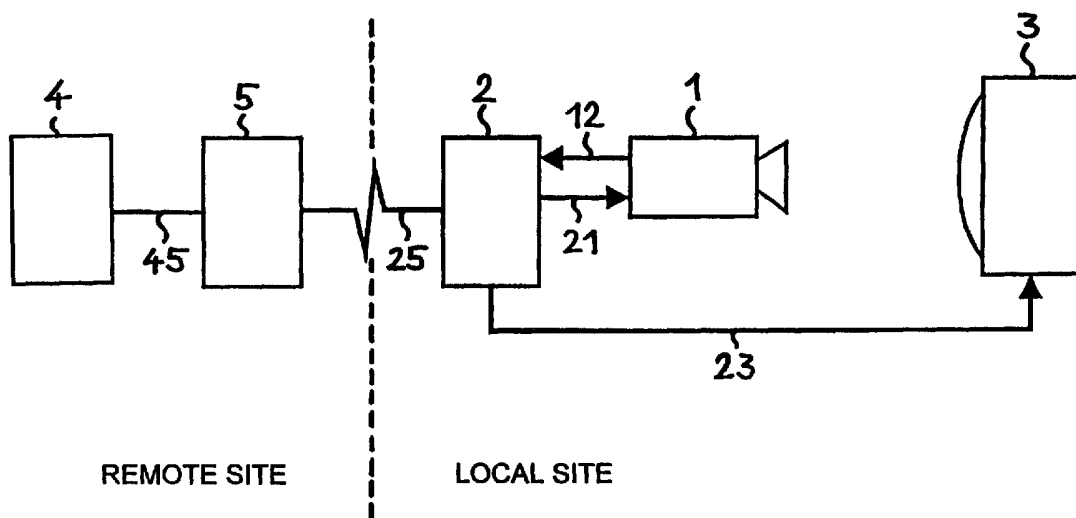
(81) Designated States (national): AE, AG, AL, AM, AT (util-  
ity model), AT, AU, AZ, BA, BB, BG, BR, BY, BZ, CA,  
CH, CN, CO, CR, CU, CZ (utility model), CZ, DE (util-  
ity model), DE, DK (utility model), DK, DM, DZ, EC, EE,  
ES, FI (utility model), FI, GB, GD, GE, GH, GM, HR, HU,  
ID, IL, IN, IS, JP, KE, KG, KP, KR, KZ, LC, LK, LR, LS,  
LT, LU, LV, MA, MD, MG, MK, MN, MW, MX, MZ, NO,  
NZ, OM, PH, PL, PT, RO, RU, SD, SE, SG, SI, SK (utility  
model), SK, SL, TJ, TM, TN, TR, TT, TZ, UA, UG, US,  
UZ, VN, YU, ZA, ZM, ZW.

(84) Designated States (regional): ARIPO patent (GH, GM,  
KE, LS, MW, MZ, SD, SL, SZ, TZ, UG, ZM, ZW),  
Eurasian patent (AM, AZ, BY, KG, KZ, MD, RU, TJ, TM),  
European patent (AT, BE, CH, CY, DE, DK, ES, FI, FR,  
GB, GR, IE, IT, LU, MC, NL, PT, SE, TR), OAPI patent  
(BF, BJ, CF, CG, CI, CM, GA, GN, GQ, GW, ML, MR,  
NE, SN, TD, TG).

Published:  
— with international search report

For two-letter codes and other abbreviations, refer to the "Guid-  
ance Notes on Codes and Abbreviations" appearing at the begin-  
ning of each regular issue of the PCT Gazette.

(54) Title: METHOD FOR CALIBRATION OF AN ELECTRONIC CAMERA



(57) Abstract: An electronic camera (1) can be reprogrammed, recalibrated or optimized for a given application or environment by a remote expert (4) who does not have to be present locally. The camera (1) requires a bi-directional data path (25) to the expert (4), preferably using the internet, for writing parameters into the camera's program memory and for reading its acquired images. The remote expert (4) must be capable of presenting selected visual stimuli to the camera (1), which are presented by a suitable image presentation device (3) to the camera (1), under remote control by the expert (4). Thanks to the invention, a recalibration of the camera (1) is more simple, faster, at lower costs and independent of the location of the camera user.



WO 03/032650 A1

5

Method for Calibration of an Electronic CameraField of the invention

10

This invention relates to programmable electronic cameras. More particularly, the invention relates to a method for the calibration of an electronic camera according to the preamble of the first claim. The invention further encompasses an arrangement for the calibration of an electronic camera, a data processing system for the calibration of an electronic camera, and a computer readable medium, having a program recorded thereon, where the program is to make a computer execute a procedure for the automatic calibration of an electronic camera, as defined in the further independent claims.

15

20

Background of the invention

25

An important property of electronic cameras is that relevant parameters of the camera's acquisition and signal processing

chain can be changed by modifications in firmware/software parameters or by reprogramming parts of this code. This capability makes it possible to update or to improve the camera performance without any hardware changes. Moreover, 5 the camera behavior can be adapted to a particular application, and the camera can be optimized for a particular environment. With the emergence of complementary metal oxide semiconductor (CMOS) image sensors, even more programmable functionality is and will be available in the camera, on the 10 sensor chips and even in the individual pixels.

Conventionally, the reprogramming of an electronic camera is carried out locally. Following a prescribed sequence of operations, the user is guided through the necessary steps of 15 adapting some of the camera parameters or to reload it with new firmware/software. In recent years, modern telecommunication means, especially the internet, have been commercially used to ease the update process for a camera's firmware/software. The new version of the software is 20 downloaded from the manufacturer's server onto the user's local computer, and from there it is copied into the program memory of the camera which is connected with the computer by a suitable interface. A good example of such a process was given on February 17, 2001, on the following web site: 25 <http://www.kodak.com/global/en/service/software/dc210/dc210toPlusSoftware.jhtml>.

The state of the art in reprogramming electronic cameras does not allow for an adaptive behavior, in which the camera's application or its environment could be taken into account for optimized reprogramming. Currently, all of these  
5. optimizations and adaptations must be carried out locally, either by a very knowledgeable user or by an expert who had to travel to the user's location. No mechanisms are yet used or known by which the expert could reprogram, recalibrate or optimize an electronic camera without having to be present  
10 locally.

#### Summary of the invention

15 It is an object of the invention to provide a method for the calibration of an electronic camera that avoids the disadvantages of the prior art such as described above. More specifically, the calibration should be made more simple, faster, at lower costs and independent of the location of the  
20 camera user. These and other objects are solved by the method as defined in the first claim. Preferred embodiments of the method are indicated in the dependent claims.

The invention is based upon the idea to have the camera  
25 calibrated by a remote expert who does not need to be close to the camera. The remote expert communicates with the camera via bi-directional telecommunication means, preferably

electronic and/or optical telecommunication means such as the internet, a leased or switched telephone line, or an optical data link.

5 Consequently, the method for the calibration of an electronic camera according to the invention, the camera being located at a local site, comprises the steps of:

- (a) presenting an optical stimulus to the camera;
- (b) acquiring at least one image of said optical  
10 stimulus by the camera; and
- (c) evaluating said at least one image.

Said at least one image is transmitted via telecommunication means from said local site to a remote site and evaluated at said remote site.

15

The invention further encompasses an arrangement for the calibration of an electronic camera, a data processing system for the calibration of an electronic camera, and a computer readable medium, having a program recorded thereon, where the  
20 program is to make a computer execute a procedure for the automatic calibration of an electronic camera, as defined in the further independent claims.

The arrangement for the calibration of an electronic camera  
25 according to the invention comprises means for placing the camera located at a local site;

an image presentation device such as a video or computer monitor, a slide projector, a transparency or overhead projector, or a printed-paper projector, located at a local site;

5 means for evaluating an image acquired by the camera, such as an electronic controlling device; and

means for determining parameters influencing the camera properties, depending on the evaluation of said image, such as a computer.

10 Said image-evaluating means and said parameter-determining means are located at a site remote from said local site, and said local site and said remote site are connected by bi-directional telecommunication means, preferably electronic and/or optical telecommunication means preferably comprising  
15 a worldwide data transmission network such as the internet, a leased or switched telephone line, or an optical data link.

The data processing system for the calibration of an electronic camera includes a display and an operating system.

20 Said data processing system comprises:

means for selecting an optical stimulus;

means for transmitting said optical stimulus via telecommunication means to the camera;

25 means for receiving via telecommunication means an image acquired by the camera;

means for evaluating said image;

means for determining parameters influencing the camera properties, depending on the evaluation of said image; and means for transmitting said parameters via telecommunication means to the camera.

5

The computer readable medium according to the invention has a program recorded thereon, where the program is to make a computer execute procedure

to select an optical stimulus;

10 to transmit said optical stimulus via telecommunication means to a camera;

to receive via telecommunication means an image acquired by the camera;

to evaluate said image;

15 to determine parameters influencing the camera properties, depending on the evaluation of said image; and

to transmit said parameters via telecommunication means to the camera.

20

#### Brief description of the drawings

The invention is described in greater detail hereinafter relative to the attached schematic drawings.

25 Figure 1 shows a block diagram of an arrangement according to the invention.

Figure 2 shows a flow diagram of the method according to the invention.

## 5 Description of preferred embodiments

The block diagram of Figure 1 represents an embodiment of an arrangement for the remote calibration of an electronic camera 1 according to the invention. The electronic camera 1  
10 can send acquired image data to a local controller/interface device 2, using a custom or standard output data interface 12. The output interface 12 preferably complies with an analog video standard such as CCIR, PAL, RS-170 or NTSC (cf. P. Seitz, "Solid-State Image Sensing", in "Handbook of  
15 Computer Vision and Applications", Vol. 1, edited by B. Jähne, H. Haussecker and P. Geissler, Academic Press, 1999, p. 165-222), or with a digital interface standard such as RS-232, USB, Firewire or Ethernet (cf. L. Arnold, "Moderne Bildkommunikation", Hüthig Verlag, 1992). Some or all of the  
20 properties of the electronic camera 1 can be reprogrammed via a suitable input interface 21, which may be a custom or a standard data interface. The input interface 21 preferably complies with an industrial standard such as RS-232, I2C, USB, Firewire or Ethernet.

25

The local controller/interface device 2 also controls an image presentation device 3, using a custom or standard video



data interface 23. The video interface 23 preferably complies with an analog video standard such as CCIR, PAL, RS-170 or NTSC, or with a digital interface standard such as RS-232, USB, Firewire or Ethernet. The image presentation device 3 is preferably a video or computer display or monitor, a slide projector, a transparency or overhead projector, or a printed-paper projector. Images are displayed by the image presentation device 3 and observed by the electronic camera 1 that is positioned in such a way as to observe the image presentation device 3.

The local controller/interface device 2 is connected to a remote controller/interface device 5, using custom or standard bi-directional telecommunication means 25. The telecommunication means 25 are preferably electronic and/or optical telecommunication means and preferably comprise a worldwide data transmission network such as the internet, a leased or switched telephone line, or an optical data link.

The remote controller/interface device 5 interacts via appropriate interaction means 45 with a "remote expert" 4. This "expert" 4 might be a human person interacting with the remote controller/interface device 5 via output and/or input means 45 such as a display or monitor, a keyboard, a mouse etc. Alternatively, possibly depending on the calibration task, the "expert" 4 might be an electronic controlling device, e.g., a computer driven by an appropriate software,

that carries out an automated procedure. The "expert" 4 might as well be a combination of the above-mentioned alternatives, i.e., a human person supported by a computer-based expert system. Upon request from the local site, e.g., of the camera proprietor, the remote expert 4 causes the steps of the method according to the invention to be performed.

Figure 2 shows a flow diagram of an embodiment of the method according to the invention. The boxes of the flow diagram are arranged such that the steps performed at the site of the remote expert 4 are on the left-hand side, whereas the steps performed at the site of the camera 1 are on the right-hand side. As a rule, a crossing of the dashed line symbolically separating the two sites means a transmission of data from the local controller/interface device 2 to the remote controller/interface device 5 or vice versa, via the telecommunication means 25. The embodiment shown in Fig. 2 is a rather simple one; other embodiments with further transmissions of data and/or commands between the local controller/interface device 2 to the remote controller/interface device 5 or vice versa are possible.

For (re-)calibrating the electronic camera 1, (re-)programming it or adapting it to local environments, the remote expert 4 essentially proceeds one or several times through the following steps:

- (a) An optical stimulus is presented 206 to the camera 1, using the local image presentation device 3. For this purpose, the optical stimulus is preferably selected and transmitted 204 to the camera 1 by the remote expert 4; 5 alternatively, the optical stimulus may already be situated at the local site, e.g., stored on a storage medium purchased together with the camera 1. The optical stimulus may be one single image or a series of images presented one after the other to the camera 1. The images 10 may be selected from a database and/or instantly generated by the remote expert 4; they may be, e.g., random or pseudo-random patterns.
- (b) The local camera 1 is instructed to acquire 207 one or 15 more images of the optical stimulus that is presented 206 by the image presentation device 3. The acquired images are transmitted 208 to the remote expert 4 for evaluation and possibly stored 209 by the remote expert 4. Possibly, depending 210 on the algorithm used, the remote expert 4 20 may select and transmit 204 to the camera 1 further optical stimuli.
- (c) The image acquired 207 and transmitted 208 by the camera 1 is evaluated 211 by the remote expert 4. The evaluation 25 211 may comprise, e.g., a comparison of the acquired image (instantaneous value) with a desired image (set value). Depending 212 on the results of the evaluation

211, especially if the evaluation results are  
unsatisfactory, the remote expert 4 may determine 214  
new, optimized parameters and/or modified camera  
firmware/software, which are subsequently transmitted 202  
5 to the camera 1 and installed 203 locally, e.g., written  
into the program memory of the camera 1. (Throughout this  
document, the term "parameter" denotes any data that  
influence any camera properties, and particularly also  
program codes.)

10

Prior to acquiring 207 the image of the optical stimulus  
(step (b)), the camera 1 may be programmed 203 with  
parameters or firmware/software of the remote expert's 4  
choice 201. This step is optional in the calibration  
15 procedure if such parameters are already stored in the camera  
memory, e.g., by the camera manufacturer.

After a satisfactory evaluation 211 of the acquired image  
(step (c)), the camera 1 is preferably instructed again to  
20 acquire 207 one or more images of an optical stimulus in  
order to check 213 the validity of the new parameters, i.e.,  
the new camera configuration. The image acquired 207 with the  
satisfactory camera parameters is transmitted 208 again to  
the remote expert 4 who verifies 211 that it corresponds to  
25 the intended behavior of the camera 1, i.e., the calibration  
or the optimization were carried out correctly.

It is possible that the determination or optimization of a certain property of the camera 1, such as its linearity, requires the acquisition 207 of several images for different optical stimuli before the evaluation 211 of the acquired  
5 imagery can be done by the remote expert 4. It is also possible that it is necessary to step through the above procedure several times in sequence, for example to optimize a certain property of the camera 1 by means of iteration.

10 Examples for properties of an electronic camera 1 that might need recalibration or optimization according to the present invention by employing appropriate optical stimuli include the following:

- Linearity of the camera's electronic output as a function  
15 of an object's brightness;
- Saturation behavior of the electronic camera 1, to control the maximum brightness of a scene in which the camera can still discern contrast;
- Dynamic range of the camera 1;
- 20 • Spatial resolution of the camera 1, as described for example by the camera's modulation transfer function or the cross-talk behavior;
- Temporal resolution of the camera 1, including transient effects such as the so-called "lag";
- 25 • Uniformity and fixed-pattern noise of the electronic camera 1;
- Gain and offset values of the camera output stages; or

- Spectrometric and/or colorimetric performance of an electronic color camera 1 or an imaging spectrometer.

List of reference signs

1	Electronic camera
2	Local controller/interface device
5	3 Image presentation device
4	Remote expert
5	Remote controller/interface device
12	Output interface
10	21 Input interface
23	Video interface
25	Telecommunication means
45	Interaction means

Claims

1. A method for the calibration of an electronic camera (1) located at a local site, comprising the steps of:
- 5 (a) presenting (206) an optical stimulus to the camera (1);
- (b) acquiring (207) at least one image of said optical stimulus by the camera (1); and
- (c) evaluating (211) said at least one image;
- 10 **characterized in that**
- said at least one image is transmitted (208) via telecommunication means (25) from said local site to a remote site and evaluated (211) at said remote site.
- 15 2. The method according to claim 1, wherein said optical stimulus is transmitted (204) via telecommunication means (25) from said remote site to said local site.
3. The method according to any of the previous claims,
- 20 wherein said optical stimulus comprises at least one image and is presented (206) to the camera (1) by an image presentation device (3) such as a video or computer monitor, a slide projector, a transparency or overhead projector, or a printed-paper projector, said image
- 25 presentation device (3) being located at said local site.



4. The method according to any of the previous claims,  
wherein prior to acquiring (207) the image of said  
optical stimulus (step (b)), parameters influencing the  
camera behavior are selected (201) at said remote site  
5 and transmitted (202) via telecommunication means (25)  
from said remote site to said local site.

5. The method according to any of the previous claims,  
wherein parameters influencing the camera properties are  
10 determined (214) at said remote site, the determination  
(214) depending on the evaluation (211) of said at least  
one image (step (c)), and transmitted (202) via  
telecommunication means (25) from said remote site to  
said local site.

15

6. The method according to any of the previous claims,  
wherein the evaluation (211) of said at least one image  
(step (c)) results in a decision (212) whether the camera  
properties are satisfactory or not.

20

7. The method according to claim 6, wherein, in case of  
unsatisfactory (212) camera properties, the method  
according to any of the previous claims is repeated in  
order to determine (211) new parameters influencing the  
25 camera properties.

8. The method according to claim 6, wherein, in case of satisfactory (212) camera properties, the method according to any of the previous claims is repeated in order to verify (213) the validity of the camera configuration.
- 5
9. The method according to any of the previous claims, wherein said telecommunication means (25) are electronic and/or optical telecommunication means and preferably comprise a worldwide data transmission network such as the internet, a leased or switched telephone line, or an optical data link.
- 10
10. The method according to any of the previous claims, wherein a local controller/interface device (2) is located at said local site between the camera (1) and said telecommunication means (25), and is preferably connected to the camera (1) via an output data interface (12) and an input data interface (21).
- 15
- 20
11. The method according to claims 3 and 10, wherein said local controller/interface device (2) controls said image presentation device (3), and is preferably connected to said image presentation device (3) via a video interface (23).
- 25

12. The method according to any of the previous claims,  
wherein an expert (4) is located at said remote site and  
controls the performance of the method according to any  
of the previous claims, said expert (4) being a human  
5 person and/or an electronic controlling device.
13. The method according to claim 13, wherein a remote  
controller/interface device (5) is located at said remote  
site between said expert (4) and said telecommunication  
10 means (25).
14. An arrangement for the calibration of an electronic  
camera (1), comprising  
means for placing the camera (1) located at a local site;  
15 an image presentation device (3) such as a video or  
computer monitor, a slide projector, a transparency or  
overhead projector, or a printed-paper projector, located  
at a local site;  
means (4) for evaluating an image acquired by the camera  
20 (1), such as an electronic controlling device; and  
means (4) for determining parameters influencing the  
camera properties, depending on the evaluation of said  
image, such as a computer;  
**characterized in that**  
25 said image-evaluating means (4) and said parameter-  
determining means (4) are located at a site remote from  
said local site, and

said local site and said remote site are connected by bi-directional telecommunication means (25), preferably electronic and/or optical telecommunication means preferably comprising a worldwide data transmission network such as the internet, a leased or switched telephone line, or an optical data link.

- 5
15. A data processing system (4) for the calibration of an electronic camera (1), wherein said data processing system includes a display and an operating system, said data processing system (4) comprising:
- 10
- means for selecting (204) an optical stimulus;
- means for transmitting (204) said optical stimulus via telecommunication means (25) to the camera (1);
- 15
- means for receiving (208) via telecommunication means (25) an image acquired (207) by the camera (1);
- means for evaluating (211) said image;
- means for determining (214) parameters influencing the camera properties, depending on the evaluation (211) of
- 20
- said image; and
- means for transmitting (202) said parameters via telecommunication means (25) to the camera (1).

16. A computer readable medium, having a program recorded thereon, where the program is to make a computer execute procedure
- 25
- to select (204) an optical stimulus;

to transmit (204) said optical stimulus via telecommunication means (25) to a camera (1);

to receive (208) via telecommunication means (25) an image acquired (207) by the camera (1);

5 to evaluate (211) said image;

to determine (214) parameters influencing the camera properties, depending on the evaluation (211) of said image; and

10 to transmit (202) said parameters via telecommunication means (25) to the camera (1).

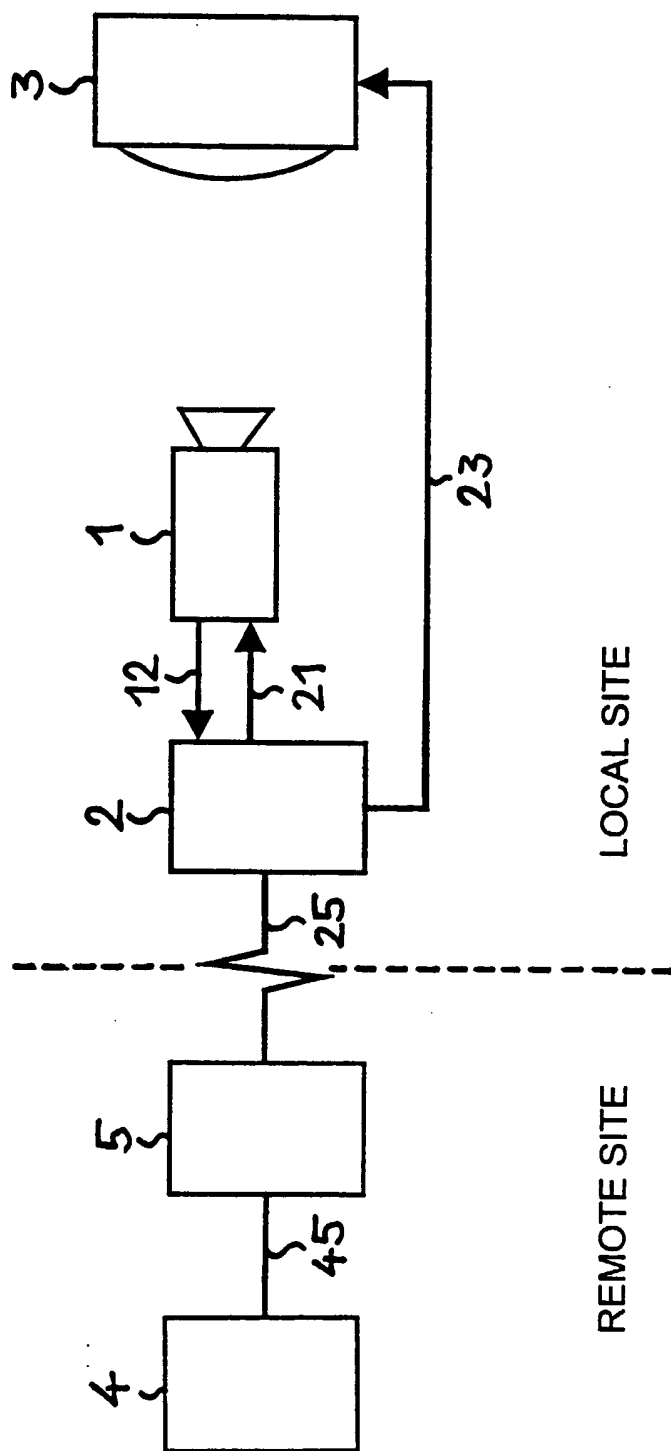


Fig. 1

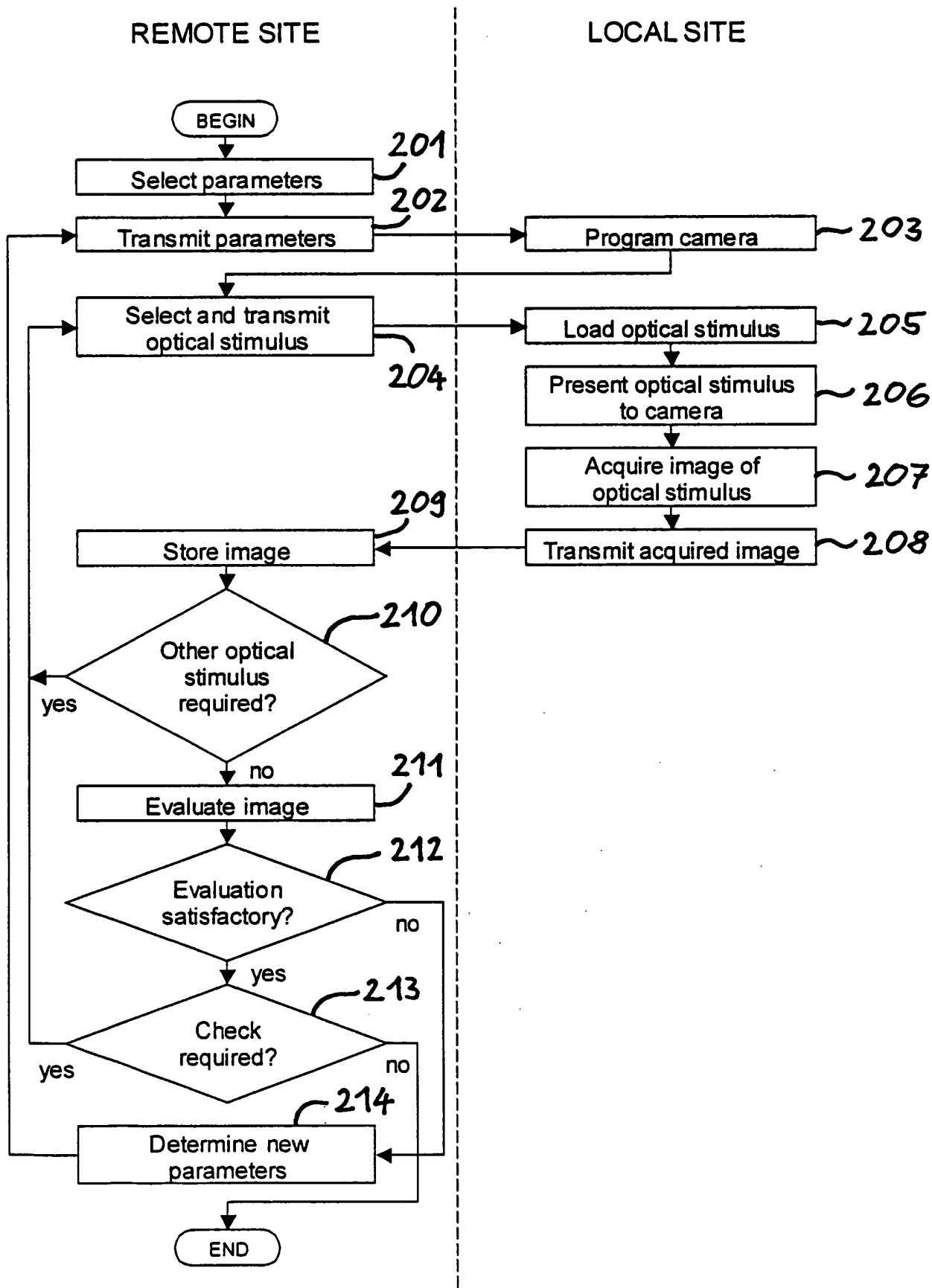


Fig. 2

INTERNATIONAL SEARCH REPORT

International Application No  
PCT/CH 02/00508

A. CLASSIFICATION OF SUBJECT MATTER  
IPC 7 H04N17/00

According to International Patent Classification (IPC) or to both national classification and IPC

B. FIELDS SEARCHED

Minimum documentation searched (classification system followed by classification symbols)  
IPC 7 H04N

Documentation searched other than minimum documentation to the extent that such documents are included in the fields searched

Electronic data base consulted during the international search (name of data base and, where practical, search terms used)

PAJ

C. DOCUMENTS CONSIDERED TO BE RELEVANT

Category °	Citation of document, with indication, where appropriate, of the relevant passages	Relevant to claim No.
X	PATENT ABSTRACTS OF JAPAN vol. 2000, no. 12, 3 January 2001 (2001-01-03) & JP 2000 261834 A (MATSUSHITA ELECTRIC INDUSTRIAL), 22 September 2000 (2000-09-22)	1, 6, 9, 10, 12, 13
A	abstract	14-16
A	PATENT ABSTRACTS OF JAPAN vol. 018, no. 155 (E-1524), 15 March 1994 (1994-03-15) & JP 05 328409 A (FUJITSU GENERAL LTD), 10 December 1993 (1993-12-10) abstract	3

Further documents are listed in the continuation of box C.

Patent family members are listed in annex.

° Special categories of cited documents :

- \*A\* document defining the general state of the art which is not considered to be of particular relevance
- \*E\* earlier document but published on or after the international filing date
- \*L\* document which may throw doubts on priority claim(s) or which is cited to establish the publication date of another citation or other special reason (as specified)
- \*O\* document referring to an oral disclosure, use, exhibition or other means
- \*P\* document published prior to the international filing date but later than the priority date claimed

- \*T\* later document published after the international filing date or priority date and not in conflict with the application but cited to understand the principle or theory underlying the invention
- \*X\* document of particular relevance; the claimed invention cannot be considered novel or cannot be considered to involve an inventive step when the document is taken alone
- \*Y\* document of particular relevance; the claimed invention cannot be considered to involve an inventive step when the document is combined with one or more other such documents, such combination being obvious to a person skilled in the art.
- \*&\* document member of the same patent family

Date of the actual completion of the international search

31 October 2002

Date of mailing of the international search report

07/11/2002

Name and mailing address of the ISA

European Patent Office, P.B. 5818 Patentlaan 2  
NL - 2280 HV Rijswijk  
Tel. (+31-70) 340-2040, Tx. 31 651 epo nl,  
Fax: (+31-70) 340-3016

Authorized officer

Berwitz, P



# INTERNATIONAL SEARCH REPORT

Information on patent family members

International Application No

PCT/CH 02/00508

Patent document cited in search report	Publication date	Patent family member(s)	Publication date
JP 2000261834 A	22-09-2000	NONE	
JP 05328409 4 A		NONE	