



US00D603501S

(12) **United States Design Patent**
Mudd et al.

(10) **Patent No.:** **US D603,501 S**
(45) **Date of Patent:** **** Nov. 3, 2009**

- (54) **INJECTION DEVICE**
- (75) Inventors: **Christopher S. Mudd**, Goleta, CA (US);
Ahmet Tezel, Goleta, CA (US)
- (73) Assignee: **Allergan, Inc.**, Irvine, CA (US)
- (**) Term: **14 Years**
- (21) Appl. No.: **29/337,267**
- (22) Filed: **May 18, 2009**

Related U.S. Application Data

- (62) Division of application No. 29/320,140, filed on Jun. 20, 2008, now Pat. No. Des. 593,677.
 - (51) **LOC (9) Cl.** **24-02**
 - (52) **U.S. Cl.** **D24/113**
 - (58) **Field of Classification Search** D24/113,
D24/112, 133, 114, 186, 104, 130, 108; 606/181,
606/185; 604/232, 187
- See application file for complete search history.

(56) **References Cited**

U.S. PATENT DOCUMENTS

- 4,108,177 A 8/1978 Pistor
- D256,160 S * 7/1980 Fujitaki et al. D24/113
- 4,787,893 A 11/1988 Villette
- 4,950,246 A 8/1990 Muller
- 5,078,690 A * 1/1992 Ryan 604/187
- 5,137,514 A * 8/1992 Ryan D24/113
- 5,368,572 A 11/1994 Shiota
- 5,383,865 A 1/1995 Michel
- D363,777 S * 10/1995 Rees D24/113
- 5,672,155 A 9/1997 Riley et al.
- 5,690,618 A 11/1997 Smith et al.
- D404,484 S * 1/1999 Lahr et al. D24/133
- D406,337 S * 3/1999 Baust et al. D24/133
- D408,527 S * 4/1999 Coelho et al. D24/108
- 5,911,729 A * 6/1999 Shikhman et al. 606/181
- 6,171,276 B1 1/2001 Lippe et al.
- D460,174 S * 7/2002 Gallagher D24/113
- 6,582,405 B2 6/2003 Kawagishi et al.
- 6,585,698 B1 7/2003 Packman et al.
- D478,986 S * 8/2003 Johnston et al. D24/133
- 6,656,150 B2 12/2003 Hill et al.
- 6,696,370 B2 2/2004 Jackson

- 6,915,822 B2 7/2005 Krumm
- 6,997,906 B2 2/2006 Langley et al.
- D536,785 S * 2/2007 Bacher et al. D24/133
- D545,428 S * 6/2007 Stammberger et al. D24/113
- 7,226,450 B2 6/2007 Athanasiou et al.
- 2005/0261693 A1 * 11/2005 Miller et al. 604/187
- 2007/0250010 A1 10/2007 Hohlfelder et al.

FOREIGN PATENT DOCUMENTS

- EP 293958 B1 12/1988
- EP 567186 B1 10/1993
- EP 1462134 A1 9/2004
- EP 1859827 A1 11/2007
- WO WO93/02720 A1 2/1993
- WO WO94/15660 A1 7/1994
- WO WO97/36623 A1 10/1997
- WO WO2005/056088 A1 6/2005
- WO WO2006/090509 A1 8/2006
- WO WO2006/116997 A1 11/2006

* cited by examiner

Primary Examiner—T. Chase Nelson
Assistant Examiner—David G Muller
(74) *Attorney, Agent, or Firm*—Linda A. Fox

(57) **CLAIM**

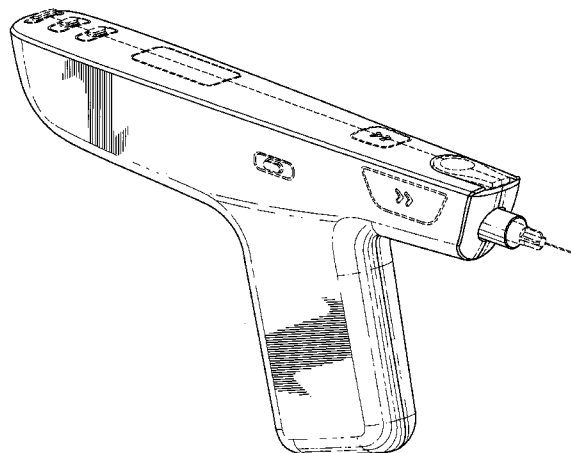
The ornamental design for an injection device, as shown and described.

DESCRIPTION

- FIG. 1 is a perspective view of an injection device showing our new design.
- FIG. 2 is a first side view thereof.
- FIG. 3 is a second side view thereof.
- FIG. 4 is a top view thereof.
- FIG. 5 is a bottom view thereof.
- FIG. 6 is a front view thereof; and,
- FIG. 7 is a back view thereof.

The features shown in broken lines depict environmental subject matter only and form no part of the claimed design.

1 Claim, 5 Drawing Sheets



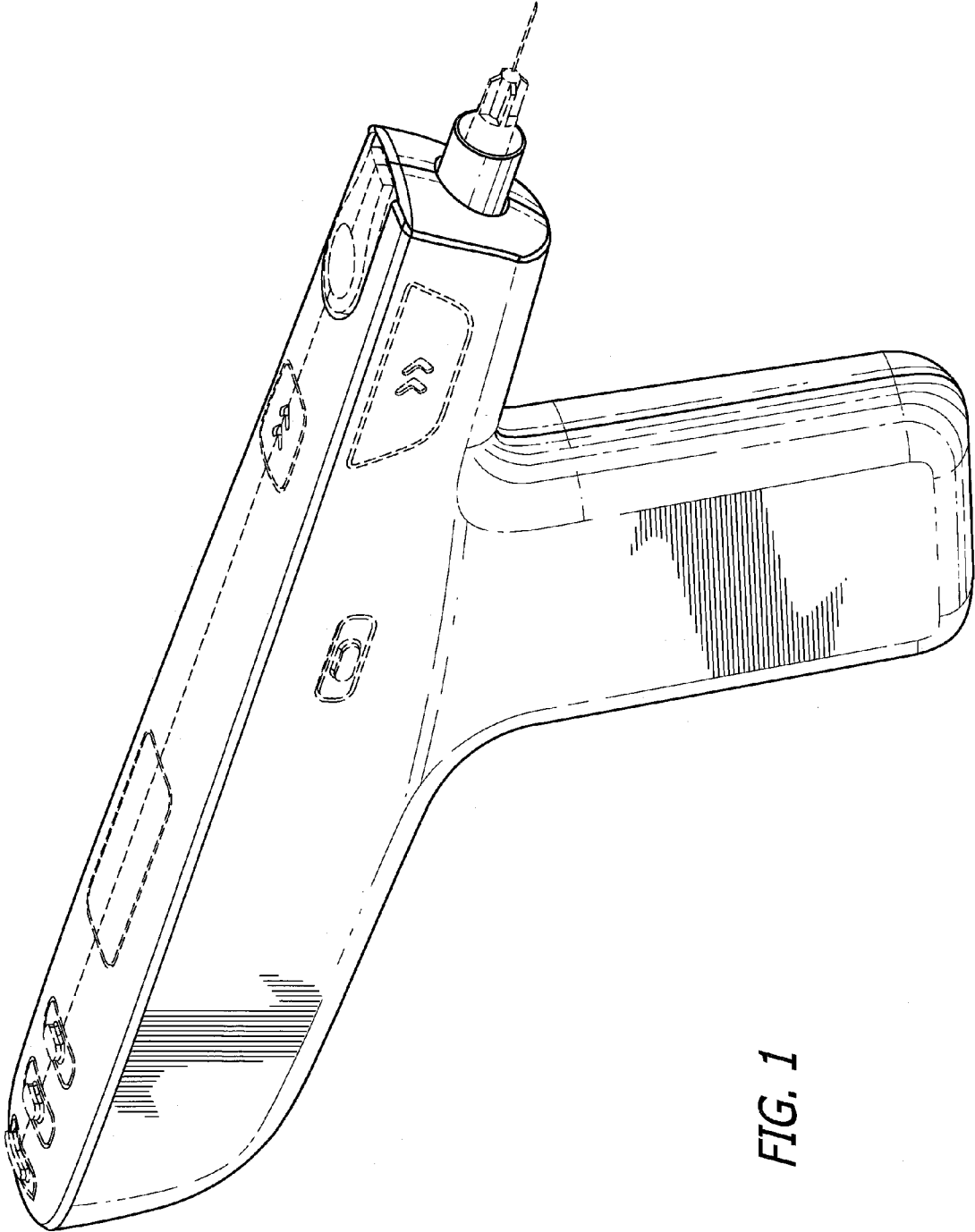


FIG. 1

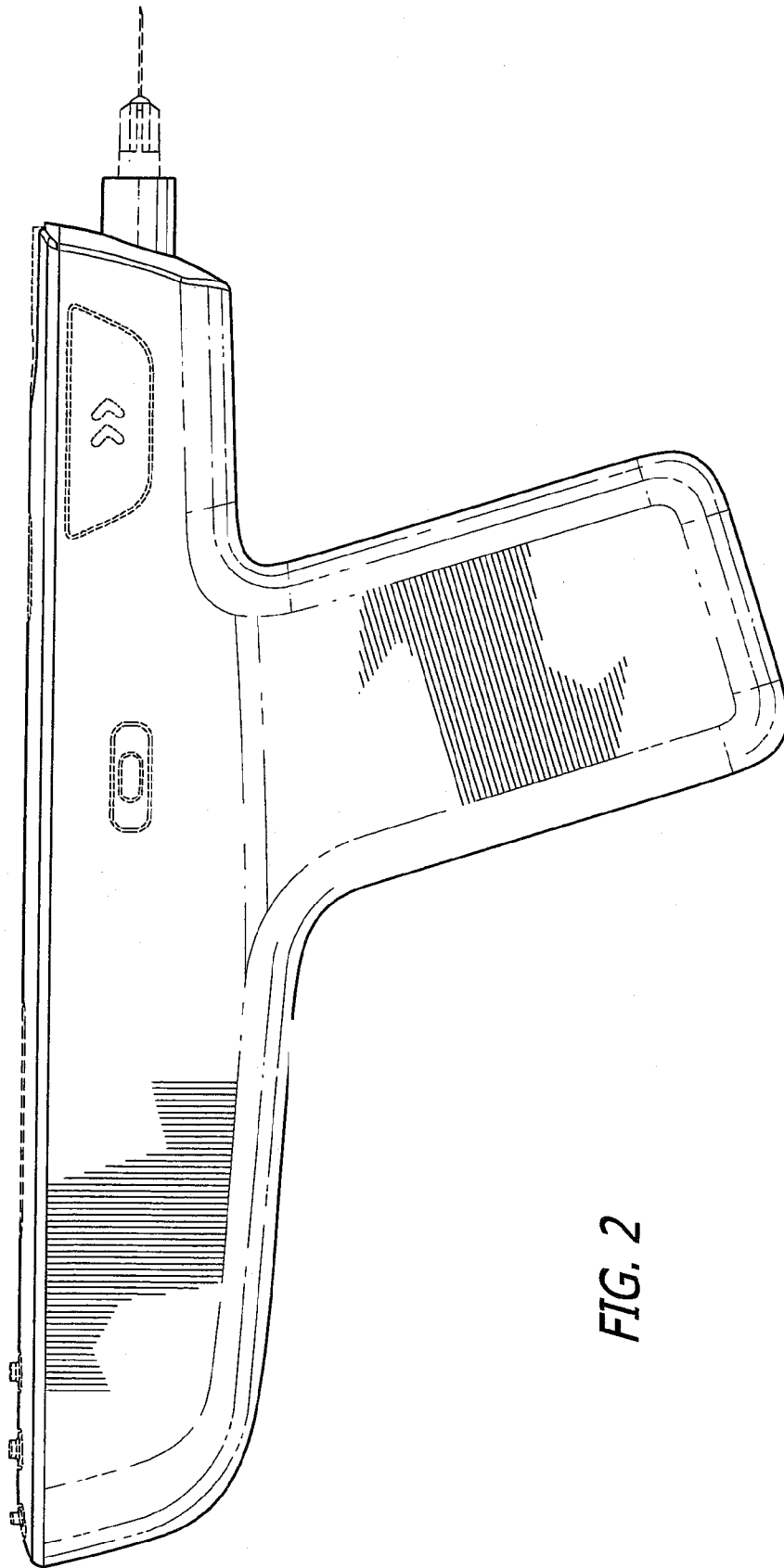


FIG. 2

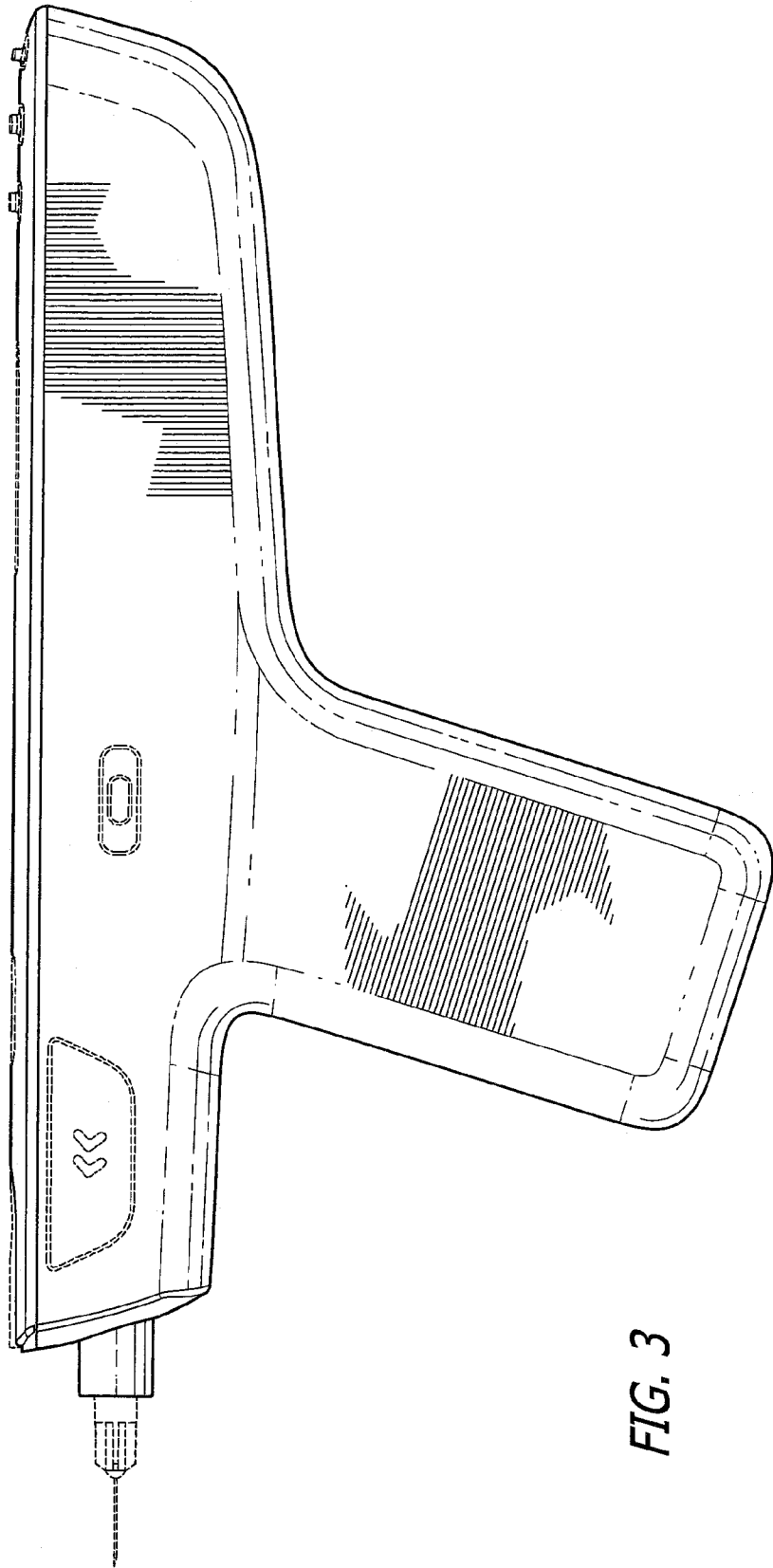


FIG. 3

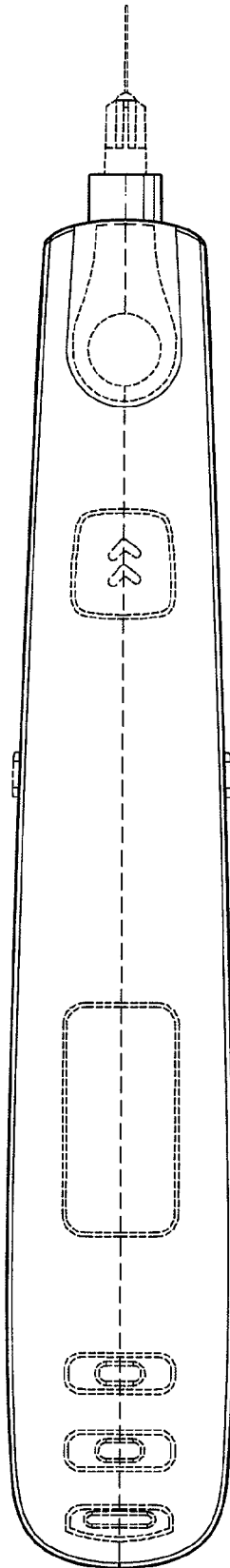


FIG. 4

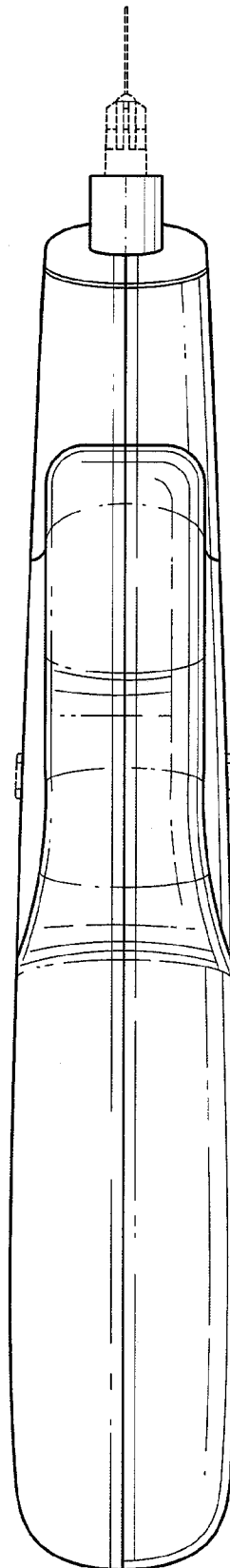


FIG. 5

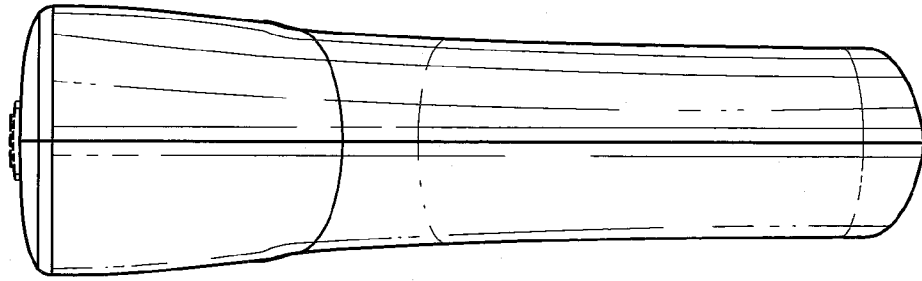


FIG. 7

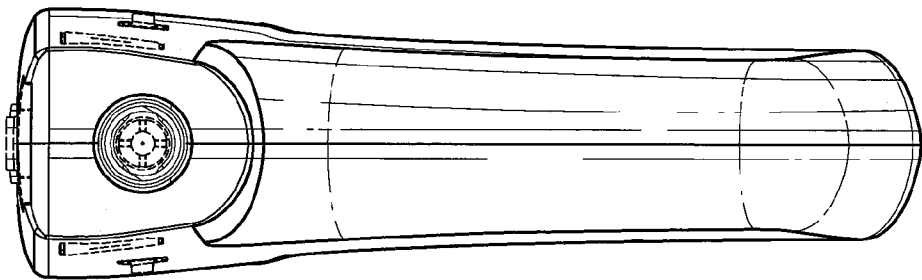


FIG. 6

UNITED STATES PATENT AND TRADEMARK OFFICE
CERTIFICATE OF CORRECTION

PATENT NO. : Des. 603,501 S
APPLICATION NO. : 29/337267
DATED : November 3, 2009
INVENTOR(S) : Mudd et al.

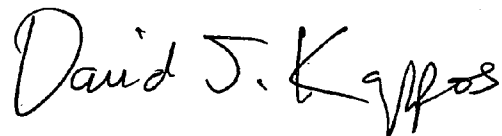
Page 1 of 1

It is certified that error appears in the above-identified patent and that said Letters Patent is hereby corrected as shown below:

On the Title page, item (62), Related U.S. Application Data, column 1, line 1, delete
"Division" and insert -- Continuation --, therefor.

Signed and Sealed this

First Day of June, 2010

A handwritten signature in black ink that reads "David J. Kappos". The signature is written in a cursive, flowing style.

David J. Kappos
Director of the United States Patent and Trademark Office