



US00D726140S

(12) **United States Design Patent**  
**Park et al.**

(10) **Patent No.:** **US D726,140 S**

(45) **Date of Patent:** **\*\* Apr. 7, 2015**

(54) **MOBILE PHONE**

(71) Applicant: **LG Electronics Inc.**, Seoul (KR)

(72) Inventors: **Sangmin Park**, Seoul (KR); **Seunghoon Ryu**, Goyang-si (KR); **Jonghak Lee**, Cheonan-si (KR)

(73) Assignee: **LG Electronics Inc.**, Seoul (KR)

(\*\*) Term: **14 Years**

(21) Appl. No.: **29/481,052**

(22) Filed: **Jan. 31, 2014**

(30) **Foreign Application Priority Data**

Aug. 1, 2013 (KR) ..... 30-2013-0039949

(51) **LOC (10) Cl.** ..... **14-03**

(52) **U.S. Cl.**  
USPC ..... **D14/138 R; D14/344**

(58) **Field of Classification Search**  
CPC ..... H04B 1/03; H04B 1/385; G04G 17/083  
USPC ..... D14/140, 137, 138 R, 138 AB, 139, 155, D14/191, 192, 203.1, 203.3, 203.4, 203.5, D14/203.7, 248, 226, 218, 144, 240, 344, D14/341, 342, 345, 440, 346, 448, 450, D14/496; D10/30-39, 70, 65, 78, 104.1, D10/104.2, 125; D11/3-5, 12, 19, 25; D13/168; D8/354, 366, 402, 499; D3/215; D15/199; 381/364, 151; 379/433.1; 455/575.1, 556.1, 556.2, 455/558, 575.3, 575.4, 575.6, 90.3; 368/10, 368/13, 69, 223; D21/329; D24/167

See application file for complete search history.

(56) **References Cited**

**U.S. PATENT DOCUMENTS**

5,274,613 A \* 12/1993 Seager ..... 368/13  
5,418,760 A \* 5/1995 Kawashima et al. .... 368/69

(Continued)

**OTHER PUBLICATIONS**

LG Supplying Flexible OLED Screens To Apple For The 'iWatch' (Bryan M. Wolfe). appadvice.com [online] 3 pages. Uploaded Oct. 13, 2013 [retrieved on Oct. 30, 2014]. Retrieved from Internet: <<http://appadvice.com/appnn/2013/10/lg-could-soon-be-supplying-flexible-oled-screens-to-apple-for-the-iwatch>>.\*

(Continued)

*Primary Examiner* — Susan Bennett Hattan

*Assistant Examiner* — Marie Fast Horse

(74) *Attorney, Agent, or Firm* — Birch, Stewart, Kolasch & Birch, LLP

(57) **CLAIM**

The ornamental design for a mobile phone, as shown and described.

**DESCRIPTION**

FIG. 1 is a perspective view of a mobile phone showing our new design in which the display part has been bent and wound around the band;

FIG. 2 is a front view thereof;

FIG. 3 is a rear view thereof;

FIG. 4 is a left side view thereof where the right side view is a mirror image;

FIG. 5 is a top plan view thereof;

FIG. 6 is a bottom plan view thereof;

FIG. 7 is a perspective view thereof showing the state that the display part has been flattened;

FIG. 8 is a front view of FIG. 7;

FIG. 9 is a left side view of FIG. 7;

FIG. 10 is a top plan view of FIG. 7;

FIG. 11 is a bottom plan view of FIG. 7;

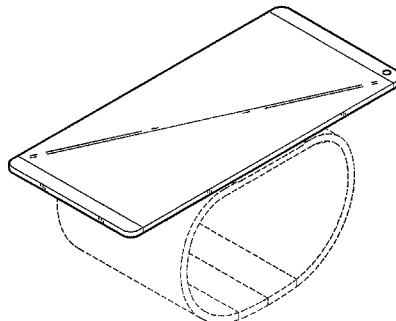
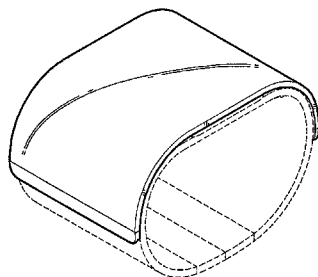
FIG. 12 is a perspective view of FIG. 7 showing the state in which the display part has been swivelled at an angle of 90 degrees counterclockwise;

FIG. 13 is a front view of FIG. 12; and,

FIG. 14 is a top plan view of FIG. 12.

The broken lines depict parts of the mobile phone that form no part of the claimed design.

**1 Claim, 10 Drawing Sheets**



(56)

## References Cited

## U.S. PATENT DOCUMENTS

- D373,419 S \* 9/1996 Muramatsu et al. .... D24/165  
5,687,732 A \* 11/1997 Inagaki et al. .... 600/485  
D403,070 S \* 12/1998 Maeda et al. .... D24/165  
D406,346 S \* 3/1999 Hirakawa ..... D24/165  
D407,492 S \* 3/1999 Lubs et al. .... D24/165  
D410,854 S \* 6/1999 Cheung et al. .... D10/39  
6,035,035 A \* 3/2000 Firooz ..... 379/433.1  
6,044,153 A \* 3/2000 Kaschke ..... 379/433.01  
D426,637 S \* 6/2000 Ochi et al. .... D24/165  
D438,374 S \* 3/2001 Hayman ..... D3/215  
D444,395 S \* 7/2001 Upton ..... D10/30  
6,447,457 B1 \* 9/2002 Forstner et al. .... 600/485  
D482,671 S \* 11/2003 DiDonato ..... D14/144  
6,765,846 B2 \* 7/2004 Saitou et al. .... 368/10  
6,970,157 B2 \* 11/2005 Siddeeq ..... 345/168  
D549,221 S \* 8/2007 Yagi ..... D14/218  
D550,112 S \* 9/2007 Andren et al. .... D11/3  
D565,427 S \* 4/2008 Ellner et al. .... D10/31  
D567,227 S \* 4/2008 Hada ..... D14/218  
D570,711 S \* 6/2008 Dorsz ..... D10/32  
D576,501 S \* 9/2008 Tang ..... D10/32  
D583,346 S \* 12/2008 Jung et al. .... D14/138 AD  
D584,972 S \* 1/2009 Aeberhard et al. .... D10/70  
D611,357 S \* 3/2010 Giroud ..... D10/32  
D622,692 S \* 8/2010 McWilliam et al. .... D14/138 G  
D650,706 S \* 12/2011 Zanella et al. .... D10/32  
D654,905 S \* 2/2012 Forsyth ..... D14/138 G  
D661,275 S \* 6/2012 Roka ..... D14/138 R  
D664,517 S \* 7/2012 Sutherland et al. .... D14/138 G  
8,270,914 B2 \* 9/2012 Pascolini et al. .... 455/90.2  
8,328,055 B1 \* 12/2012 Snyder ..... 224/197  
D675,180 S \* 1/2013 Zhang et al. .... D14/138 G  
D683,711 S \* 6/2013 Hofer et al. .... D14/138 G  
D683,713 S \* 6/2013 Hofer et al. .... D14/138 G  
D684,571 S \* 6/2013 Akana et al. .... D14/341  
8,473,015 B2 \* 6/2013 Kim et al. .... 455/575.3  
D688,585 S \* 8/2013 Ohnemus et al. .... D11/3  
D692,872 S \* 11/2013 Hofer et al. .... D14/248  
D699,700 S \* 2/2014 Yoo et al. .... D14/138 G  
D700,164 S \* 2/2014 Park et al. .... D14/138 G  
D701,504 S \* 3/2014 Christopher et al. .... D14/344  
D703,069 S \* 4/2014 Adams et al. .... D10/31  
D703,176 S \* 4/2014 Yoo et al. .... D14/138 G  
D703,177 S \* 4/2014 Park et al. .... D14/138 G  
D703,178 S \* 4/2014 Park et al. .... D14/138 G  
D703,429 S \* 4/2014 Morrison ..... D3/218  
D703,632 S \* 4/2014 Lim et al. .... D14/138 G  
8,725,842 B1 \* 5/2014 Al-Nasser ..... 709/219  
D706,237 S \* 6/2014 Kim et al. .... D14/138 G  
D706,238 S \* 6/2014 Kim et al. .... D14/138 G  
D706,736 S \* 6/2014 Kim et al. .... D14/138 G  
D706,737 S \* 6/2014 Kim et al. .... D14/138 G  
D706,738 S \* 6/2014 Kim et al. .... D14/138 G  
D707,223 S \* 6/2014 Akana et al. .... D14/341  
D707,645 S \* 6/2014 Kim et al. .... D14/138 G  
D707,646 S \* 6/2014 Kim et al. .... D14/138 G  
D709,473 S \* 7/2014 Kim et al. .... D14/138 G  
D710,843 S \* 8/2014 Akana et al. .... D14/341  
D711,360 S \* 8/2014 Park ..... D14/248  
D714,269 S \* 9/2014 Lee et al. .... D14/248  
D714,270 S \* 9/2014 Lee et al. .... D14/248  
D714,271 S \* 9/2014 Lee et al. .... D14/248  
D715,281 S \* 10/2014 Kim et al. .... D14/248  
D715,758 S \* 10/2014 Yun et al. .... D14/138 R  
D715,801 S \* 10/2014 Lee ..... D14/407  
D716,246 S \* 10/2014 Yun et al. .... D14/138 R  
D716,778 S \* 11/2014 Moore et al. .... D14/248  
2004/0209657 A1 \* 10/2004 Ghassabian ..... 455/575.1  
2006/0209218 A1 \* 9/2006 Lee et al. .... 349/1  
2008/0248838 A1 \* 10/2008 Chiang ..... 455/566  
2009/0175130 A1 \* 7/2009 Hilfiker ..... 368/10  
2010/0029327 A1 \* 2/2010 Jee ..... 455/556.1  
2010/0035669 A1 \* 2/2010 Jang et al. .... 455/575.4  
2010/0144408 A1 \* 6/2010 Chuang et al. .... 455/575.4  
2011/0053662 A1 \* 3/2011 Wei ..... 455/575.1  
2011/0199205 A1 \* 8/2011 Kreml ..... 340/539.11  
2011/0267196 A1 \* 11/2011 Hu et al. .... 340/575  
2011/0275906 A1 \* 11/2011 Chen ..... 600/301  
2012/0122519 A1 \* 5/2012 Jochheim ..... 455/556.1  
2013/0210504 A1 \* 8/2013 Mareno ..... 455/575.8  
2013/0237778 A1 \* 9/2013 Rouquette ..... 600/301  
2014/0031662 A1 \* 1/2014 Chou ..... 600/384  
2014/0245464 A1 \* 8/2014 Chu ..... 726/35

## OTHER PUBLICATIONS

- OLED phones with curved displays (Samsung and LG). techenclave.com [online] 4 pages. Uploaded Oct. 2, 2013 [retrieved on Oct. 30, 2014]. Retrieved from Internet: <<https://www.techenclave.com/news/oled-phones-with-curved-displays-to-be-introduced-by-samsung-and-lg-this-month/6540/>>.\*  
Phone Concept—(LG/be). itechfuture.com. [online] 9 pages. Uploaded Aug. 28, 2010 [retrieved on Oct. 30, 2014]. Retrieved from Internet: <<http://itechfuture.com/phone-concept-lg-be/>>.\*  
Limbo Flexible Smartphone Concept (Jeabyun Yeon). tuvie.com. [online] 7 pages. Uploaded as early as Apr. 11, 2013 (81 weeks from the date retrieved—based on the comment) [retrieved on Oct. 30, 2014]. Retrieved from Internet: <<http://www.tuvie.com/limbo-flexible-smartphone-concept-by-jeabyun-yeon/>>.\*  
Concept Phones we Wish were Real in 2012 (Go Concept Phone). irisgadgets.wordpress.com. [online] pp. 8-12 of 20. Uploaded May 2, 2012 [retrieved on Oct. 30, 2014]. Retrieved from Internet: <http://irisgadgets.wordpress.com/>.\*  
HTC One (Nathan Olivarez-Giles). wired.com. [online] 6 pages. Uploaded Apr. 8, 2013 [retrieved on Nov. 6, 2014]. Retrieved from Internet<<http://www.wired.com/2013/04/htc-one/>>.\*

\* cited by examiner

FIG. 1

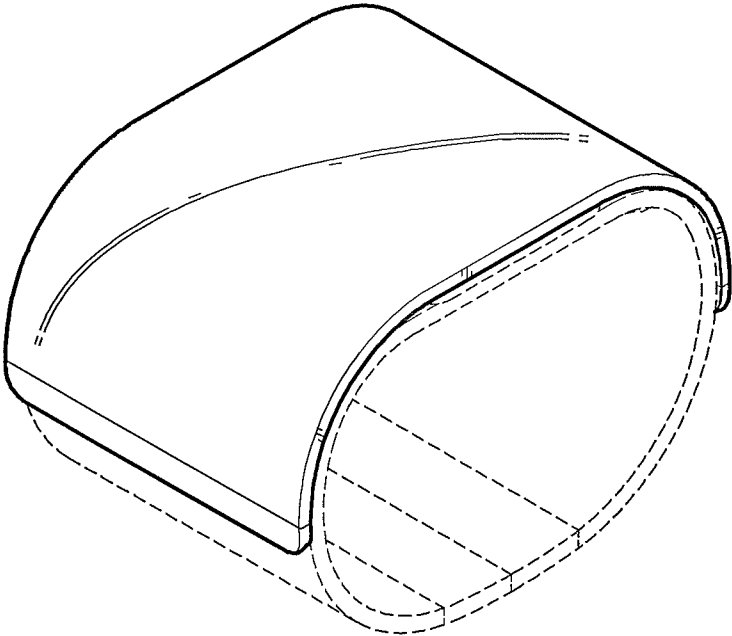


FIG. 2

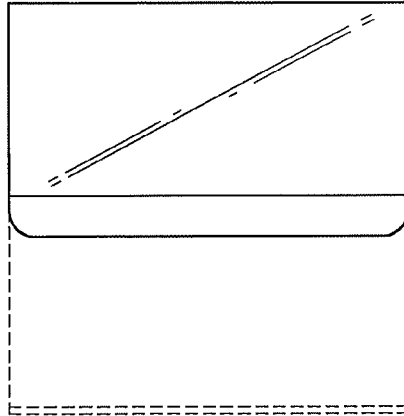


FIG. 3

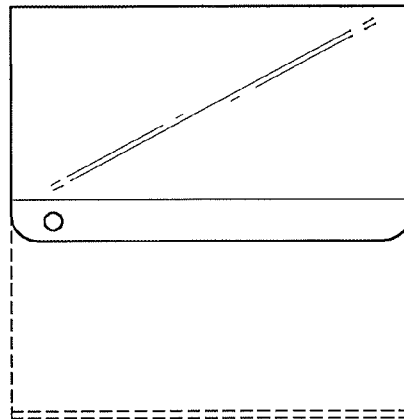


FIG. 4

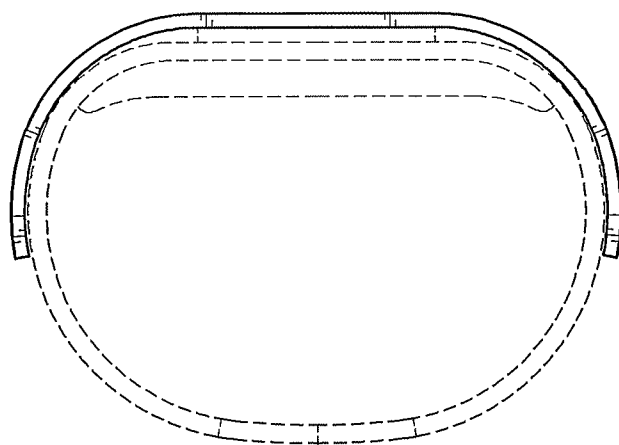


FIG. 5

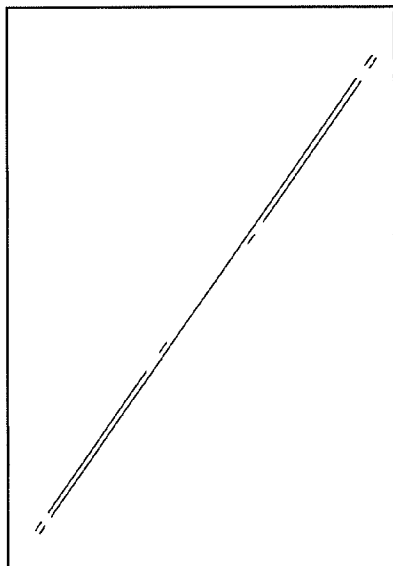


FIG. 6

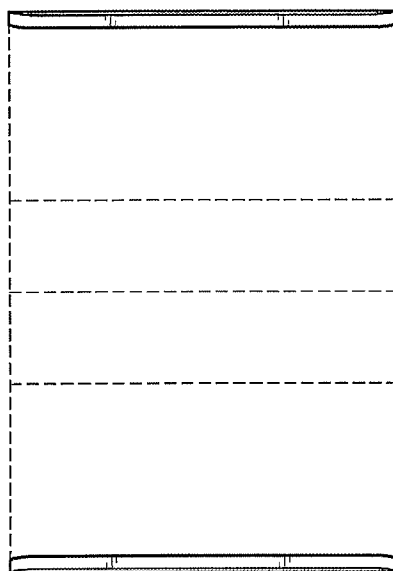


FIG. 7

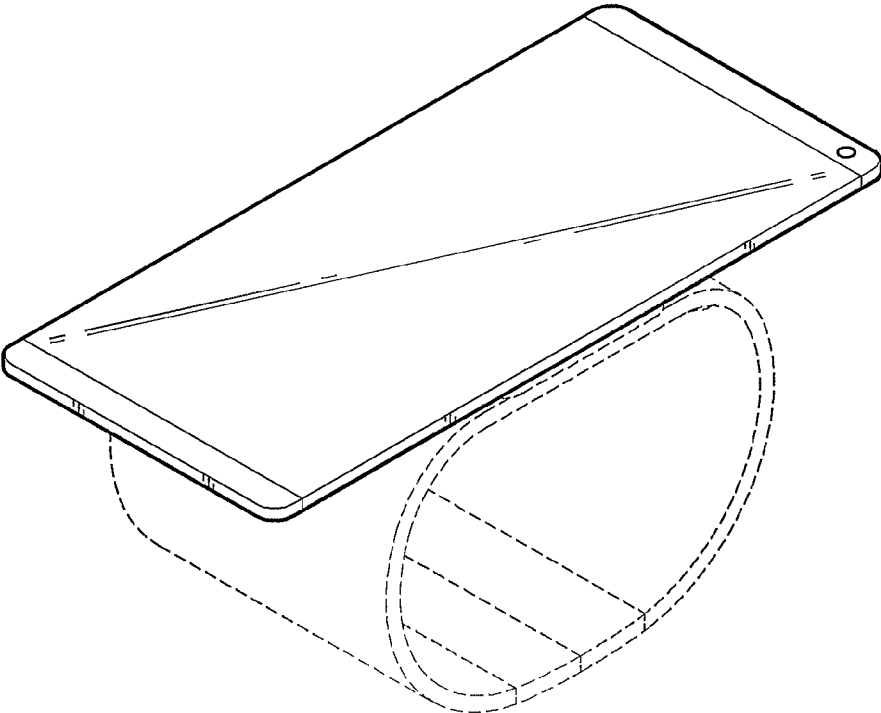


FIG. 8

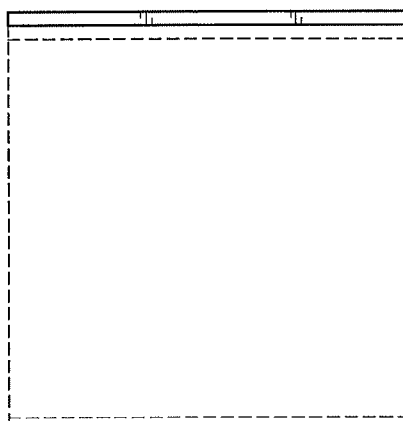


FIG. 9

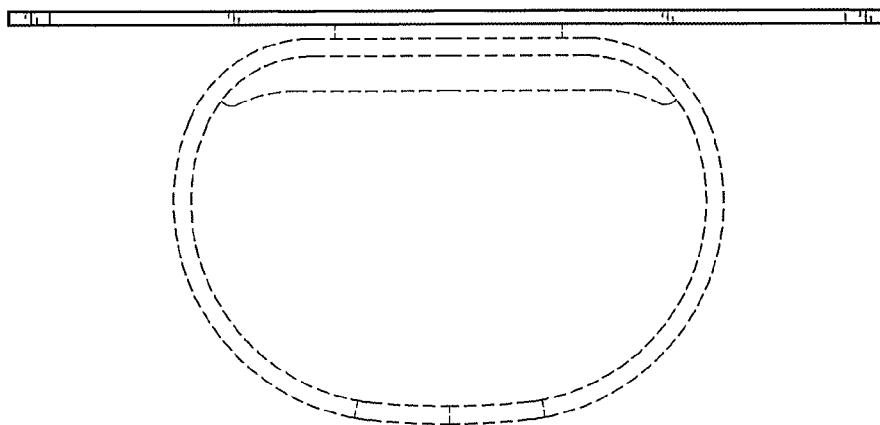




FIG. 10

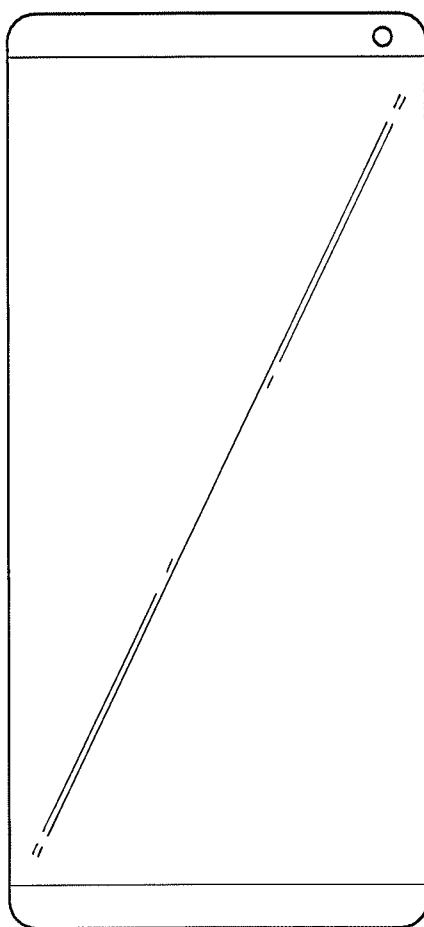


FIG. 11

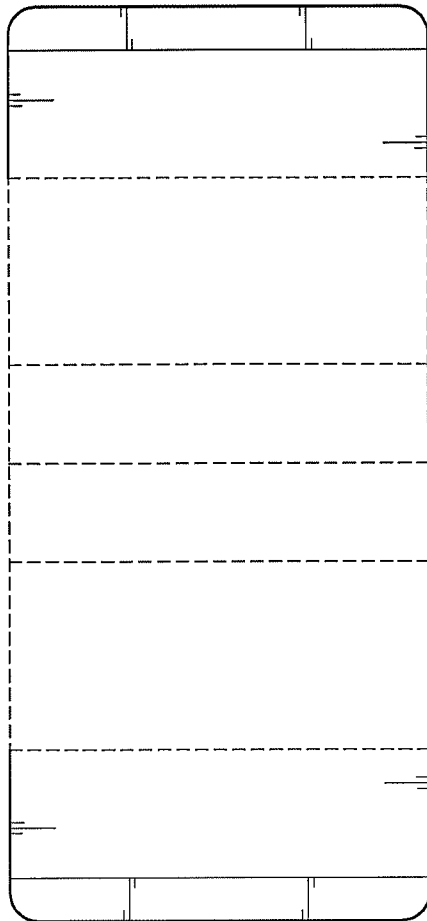


FIG. 12

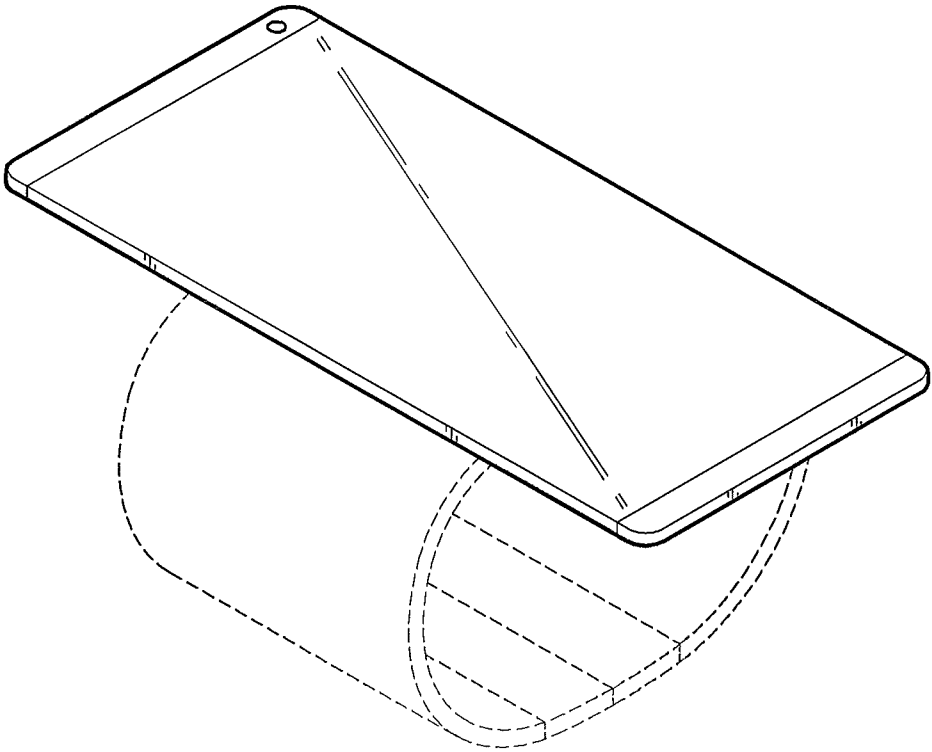


FIG. 13

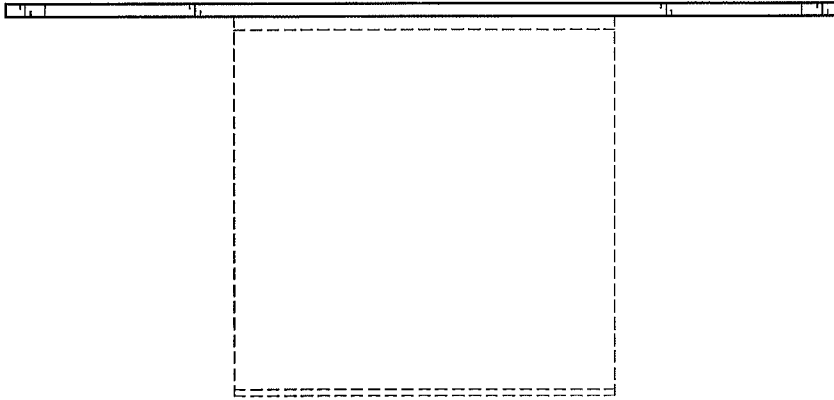


FIG. 14

