



US00D735636S

(12) **United States Design Patent**  
**Wragg**

(10) **Patent No.:** **US D735,636 S**

(45) **Date of Patent:** **\*\* Aug. 4, 2015**

(54) **AUTOMOBILE CONSOLE ACCESSORY**

(71) Applicant: **Michael Wragg**, Lubbock, TX (US)

(72) Inventor: **Michael Wragg**, Lubbock, TX (US)

(\*\*) Term: **14 Years**

(21) Appl. No.: **29/515,611**

(22) Filed: **Jan. 23, 2015**

(51) **LOC (10) Cl.** ..... **12-16**

(52) **U.S. Cl.**  
USPC ..... **D12/419**

(58) **Field of Classification Search**  
USPC ..... D12/419, 415-18, 420; D21/421;  
D7/619.1-625, 701; 296/37.1, 37.8,  
296/37.13-37.16, 36; 224/404; 297/411.26,  
297/411.23; 22/539

See application file for complete search history.

(56) **References Cited**

**U.S. PATENT DOCUMENTS**

D257,914 S	1/1981	Wooters	
D280,729 S	9/1985	Paternoistro	
D317,674 S	6/1991	Smith	
D319,730 S	9/1991	Steenson	
5,174,534 A	12/1992	Mitchell	
D374,856 S *	10/1996	Berninger	D12/419
D375,719 S *	11/1996	Schlangen et al.	D12/419
5,678,741 A	10/1997	Schieber	
D388,050 S *	12/1997	Diem	D12/419
D390,186 S *	2/1998	Smith	D12/419
D396,844 S *	8/1998	Smith	D12/419
D413,563 S	9/1999	Gravenstreter	
D425,012 S	5/2000	Bergin	
D428,383 S	7/2000	Ozark et al.	
D432,491 S	10/2000	Sacco et al.	
D434,720 S	12/2000	Haack et al.	
D447,998 S	9/2001	Pfeiffer et al.	
D448,000 S	9/2001	Pfeiffer et al.	
D448,001 S	9/2001	Pfeiffer et al.	
D448,720 S	10/2001	Nash et al.	
D456,760 S	5/2002	Hoy	

D472,871 S *	4/2003	Ramos et al.	D12/419
D500,982 S *	1/2005	Smith	D12/419
D507,777 S	7/2005	Klopp, III et al.	
D508,672 S *	8/2005	Fraser et al.	D12/419
D519,441 S	4/2006	Lee	
D525,933 S *	8/2006	Lee et al.	D12/419
D526,953 S	8/2006	Hall et al.	
D541,209 S	4/2007	Castator et al.	
D556,119 S	11/2007	Esaki et al.	
D571,280 S	6/2008	Nakajima et al.	
D632,640 S	2/2011	Wyszogrod et al.	
D651,966 S	1/2012	Hwang et al.	
D672,706 S	12/2012	Okumura et al.	
D724,004 S *	3/2015	McFarlin et al.	D12/419

\* cited by examiner

*Primary Examiner* — Katrina A Betton

(74) *Attorney, Agent, or Firm* — Aaron R. Clements; Hurley, Guinn & Sellers

(57) **CLAIM**

The ornamental design for an automobile console accessory, as shown and described.

**DESCRIPTION**

FIG. 1 shows an oblique view of an automobile console accessory.

FIG. 2 shows a front view of an automobile console accessory.

FIG. 3 shows a rear view of an automobile console accessory.

FIG. 4 shows a side view of an automobile console accessory.

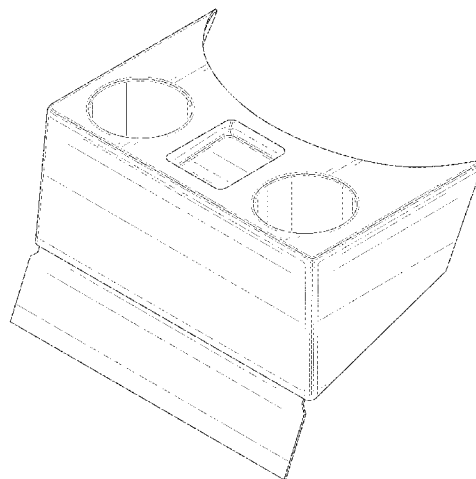
FIG. 5 shows an opposite side of an automobile console accessory as that depicted in FIG. 4.

FIG. 6 shows a top view of an automobile console accessory; and,

FIG. 7 shows a bottom view of an automobile console accessory.

The current design for an automobile console accessory includes a single molded plastic unit having two circular depressions and one approximately square depression, as shown in the figures attached.

**1 Claim, 7 Drawing Sheets**



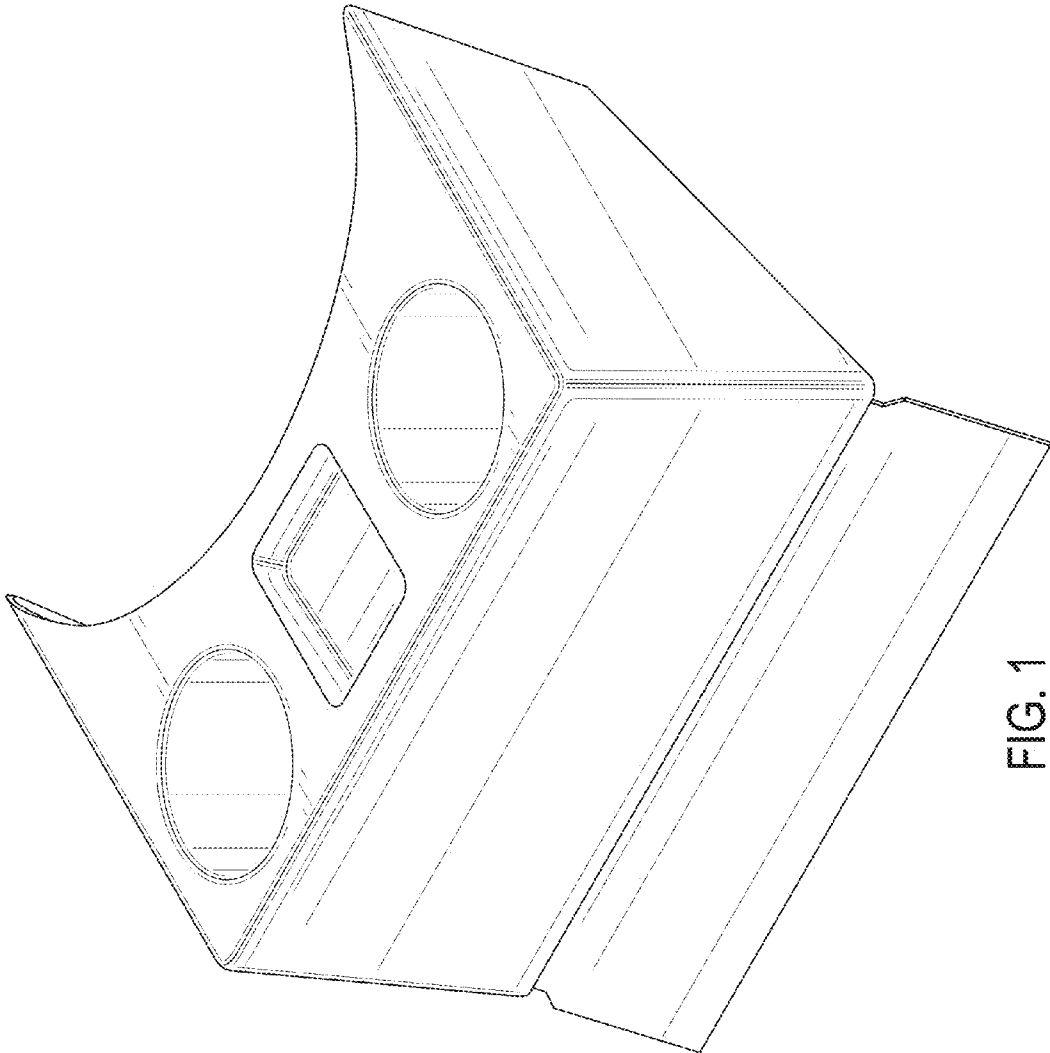


FIG. 1



FIG. 2

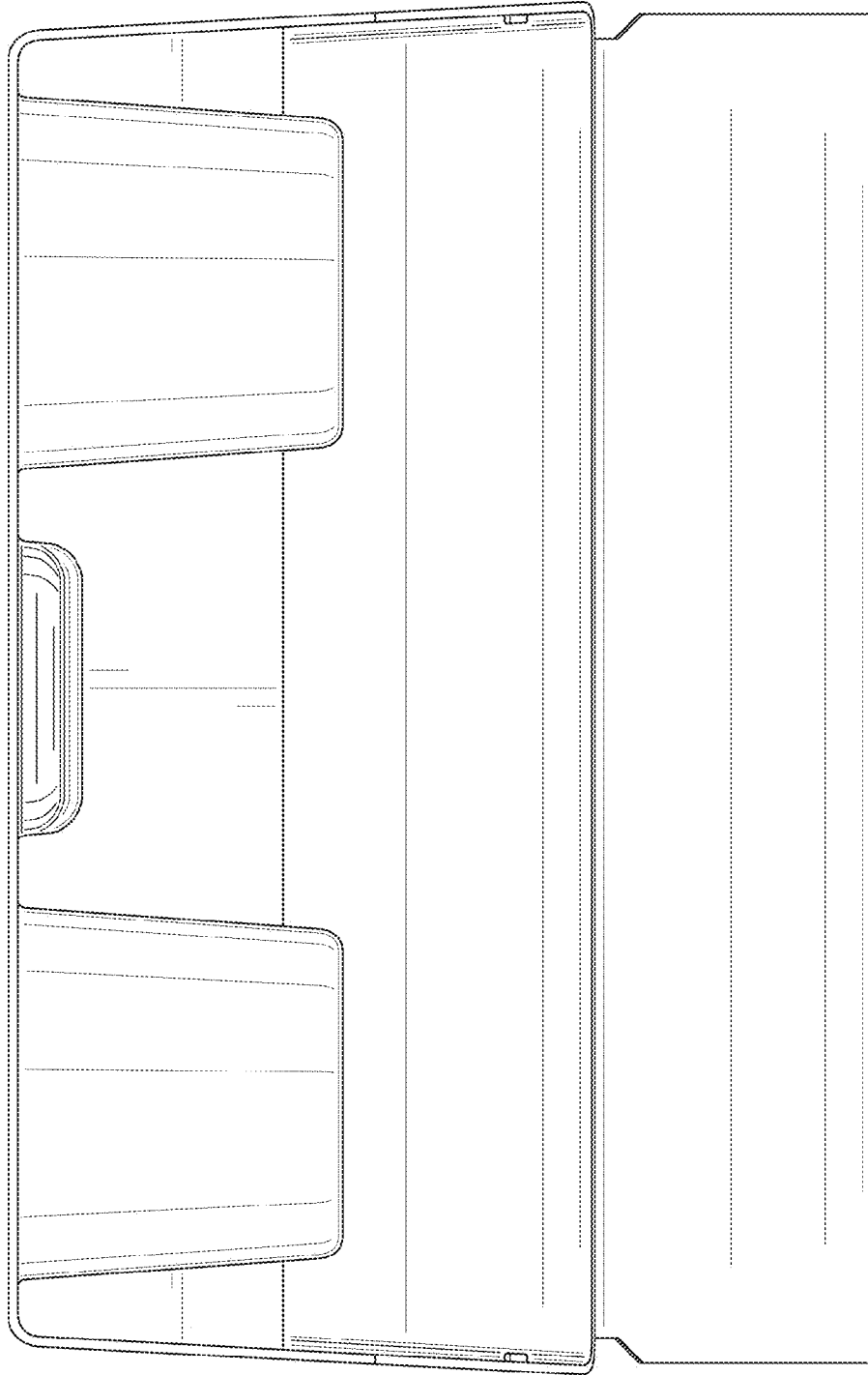


FIG. 3

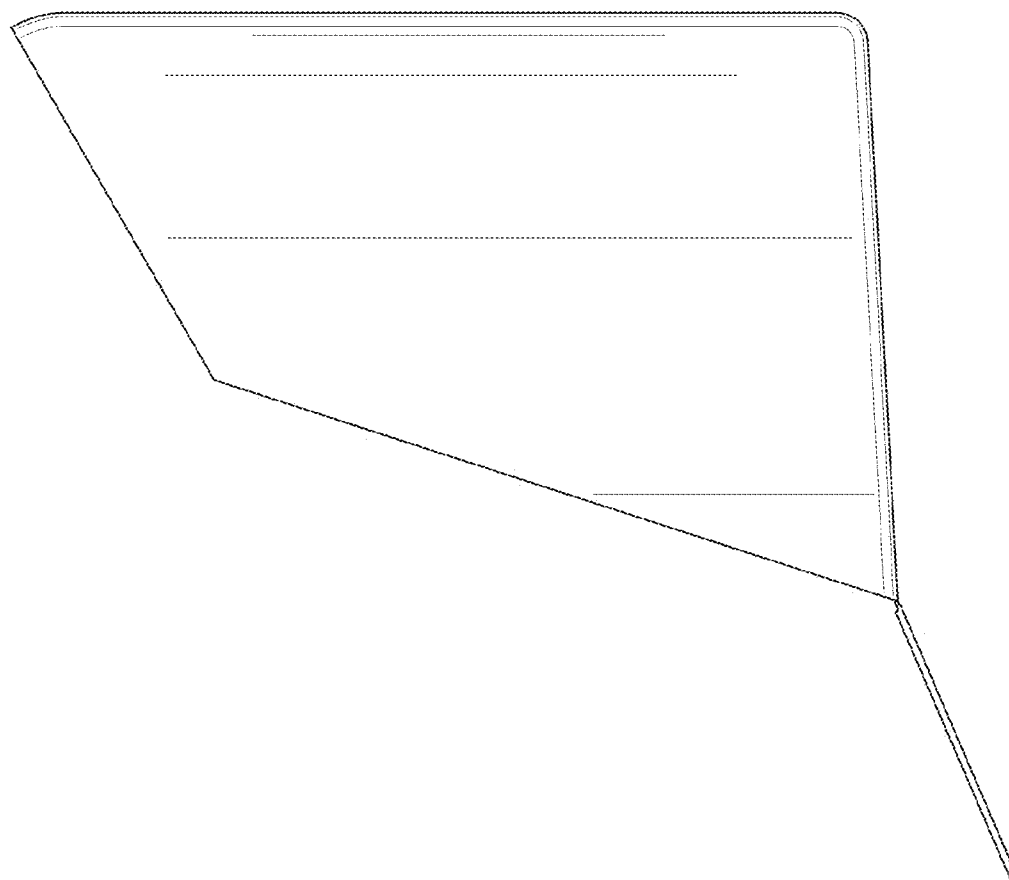


FIG. 4

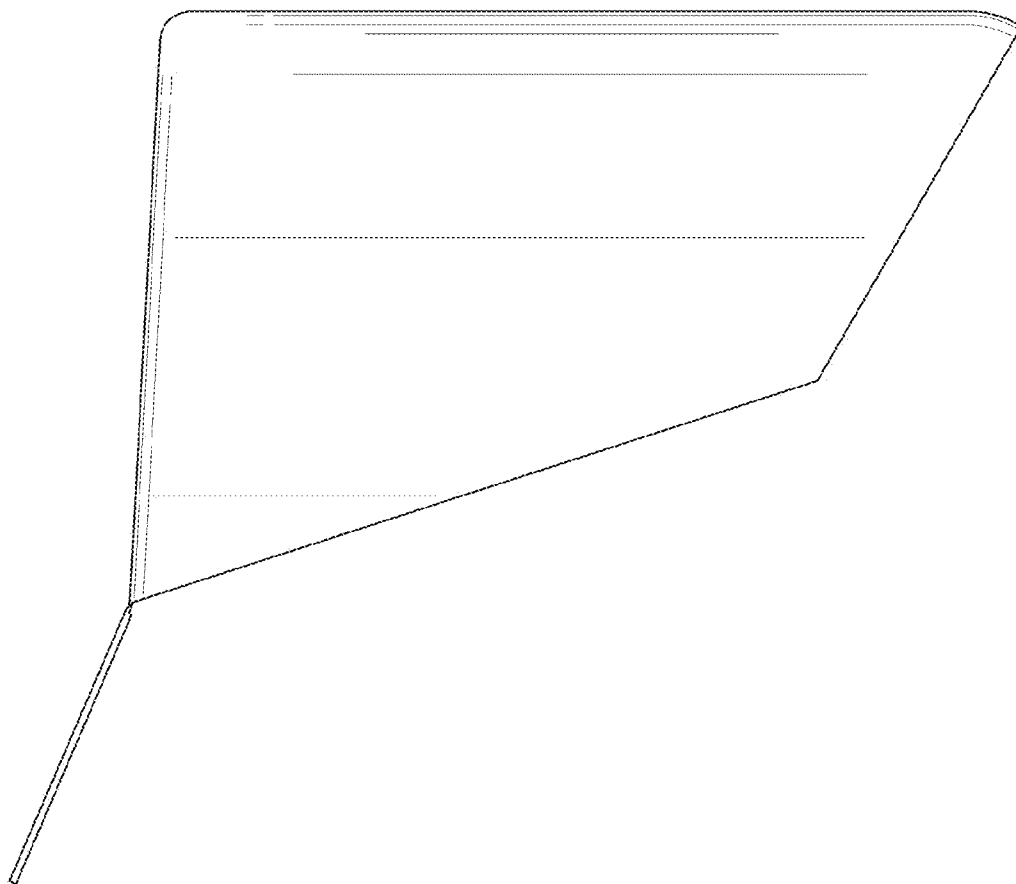


FIG. 5

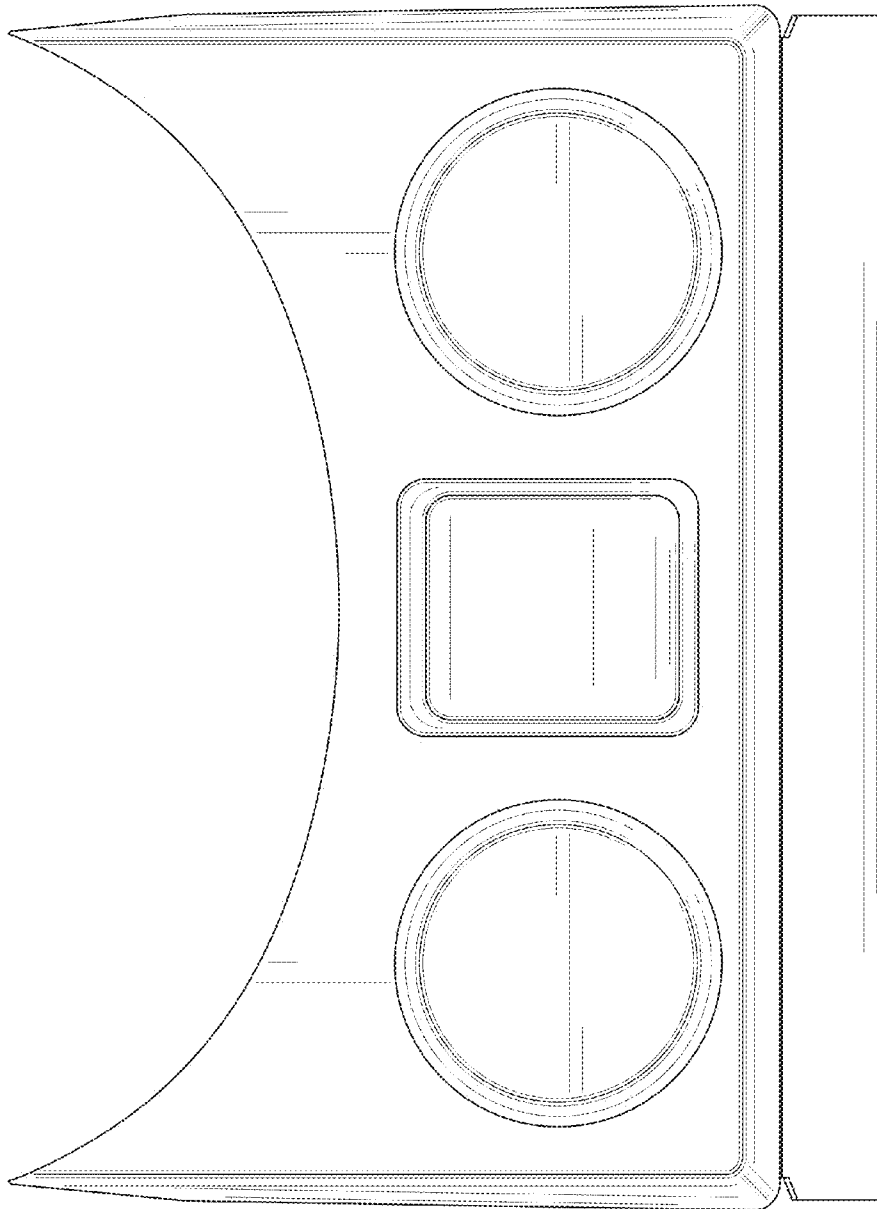


FIG. 6

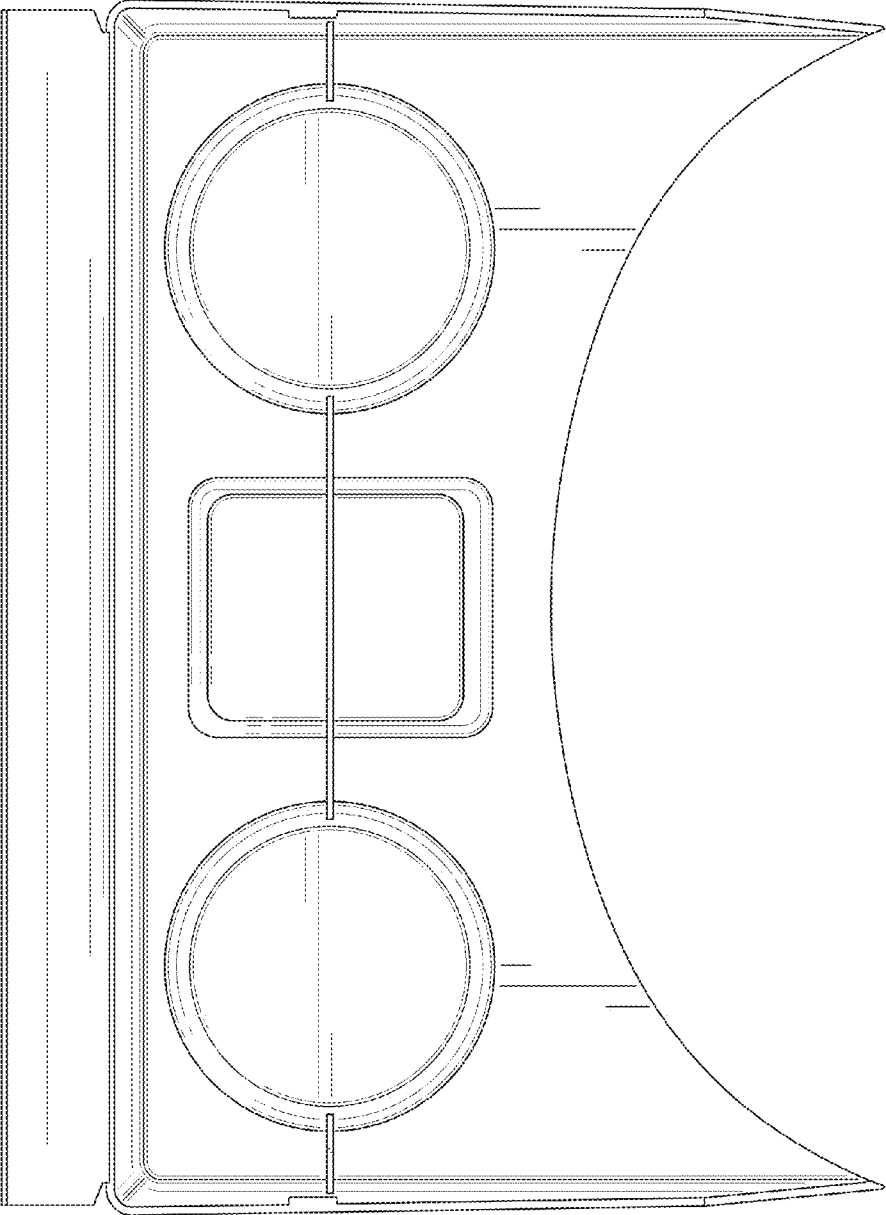


FIG. 7