



US0D1058404S

(12) **United States Design Patent**
Ahlgrim

(10) **Patent No.:** **US D1,058,404 S**

(45) **Date of Patent:** **** Jan. 21, 2025**

(54) **SECURITY SYSTEM ALARM**

FOREIGN PATENT DOCUMENTS

(71) Applicant: **SimpliSafe, Inc.**, Boston, MA (US)

CN 201530471671 * 4/2016
GB 6207415 * 5/2022

(72) Inventor: **Dirk Ahlgrim**, Boston, MA (US)

(Continued)

(73) Assignee: **SimpliSafe, Inc.**, Boston, MA (US)

OTHER PUBLICATIONS

(**) Term: **15 Years**

Singcall Alert System, published on (Apr. 13, 2021) on amazon.com, retrieved from internet (Aug. 12, 2024). <URL: https://www.amazon.com/dp/B092D1V5R1/ref=sspa_dk_rhf_search_pt_sub_9/> (Year: 2021).*

(21) Appl. No.: **29/815,698**

(Continued)

(22) Filed: **Nov. 16, 2021**

(51) **LOC (15) Cl.** **10-05**

(52) **U.S. Cl.**

USPC **D10/106.1**

(58) **Field of Classification Search**

USPC D10/104.1, 104.2, 106.1, 106.6, 106.9,
D10/106.95, 114.2

CPC G08B 13/00; G08B 21/02; G08B 25/001;
G08B 25/008; G08B 25/009; G08B 25/14

See application file for complete search history.

Primary Examiner — Joseph Kukella

Assistant Examiner — Heather Wencil

(74) *Attorney, Agent, or Firm* — Wolf, Greenfield & Sacks, P.C.

(56) **References Cited**

(57) **CLAIM**

The ornamental design for security system alarm, as shown and described.

U.S. PATENT DOCUMENTS

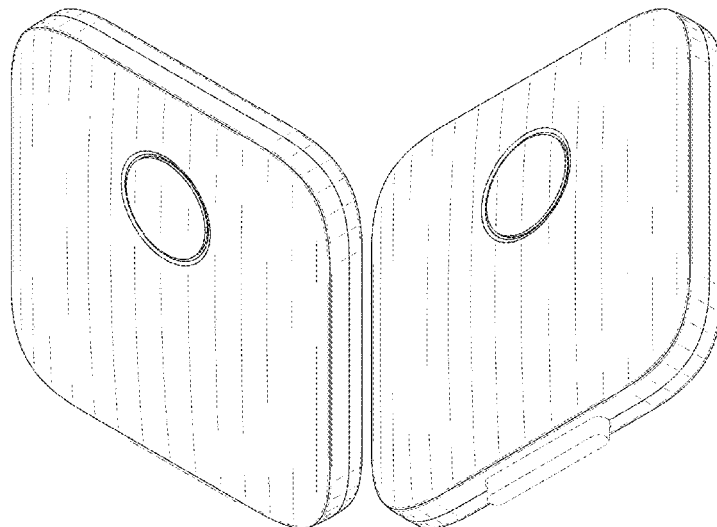
DESCRIPTION

1,285,382	A	*	11/1918	Kenshaw	E05B 17/106 D26/37
4,158,197	A	*	6/1979	Takagaki	G08B 13/00 340/693.8
D366,262	S	*	1/1996	Inaba	D14/218
D371,086	S	*	6/1996	Collins	D10/106.1
D494,144	S	*	8/2004	Guzman	D13/168
D667,382	S	*	9/2012	Cosentino	D13/168
D694,753	S	*	12/2013	McManigal	D14/368
D727,259	S	*	4/2015	Hwang	D13/108
D787,357	S	*	5/2017	Akana	D10/104.1
D819,469	S	*	6/2018	Farley	D10/70
D826,752	S	*	8/2018	Lee	D10/81
D893,729	S	*	8/2020	Joda	D24/167
D894,023	S	*	8/2020	Barber	D10/70
D899,285	S	*	10/2020	Peterson	D10/106.2
D923,618	S	*	6/2021	Cheng	D14/327
D946,425	S	*	3/2022	Chang	D10/57

FIG. 1 shows an upper front right perspective view of the security system alarm;
FIG. 2 shows a lower front right perspective view of thereof;
FIG. 3 shows a front view thereof;
FIG. 4 shows a rear view thereof;
FIG. 5 shows a right view thereof;
FIG. 6 shows a left side view thereof;
FIG. 7 shows a top view thereof; and,
FIG. 8 shows a bottom view thereof.
The broken lines in the drawings depict portions of the security system alarm that form no part of the claimed design.

(Continued)

1 Claim, 5 Drawing Sheets



(56)

References Cited

U.S. PATENT DOCUMENTS

D954,580 S * 6/2022 Fanshier D10/104.1
D991,230 S * 7/2023 Zhao D14/225

FOREIGN PATENT DOCUMENTS

GB 6207416 * 5/2022
JP D2018-10650 * 1/2022

OTHER PUBLICATIONS

SimpliSafe UK Bell Box, published on (Nov. 13, 2022) on facebook.com, retrieved from internet (Aug. 12, 2024). <URL: <https://www.facebook.com/SimpliSafeUK/photos/pb.100032094776106.-2207520000/1492784134519369/>> (Year: 2022).*

* cited by examiner

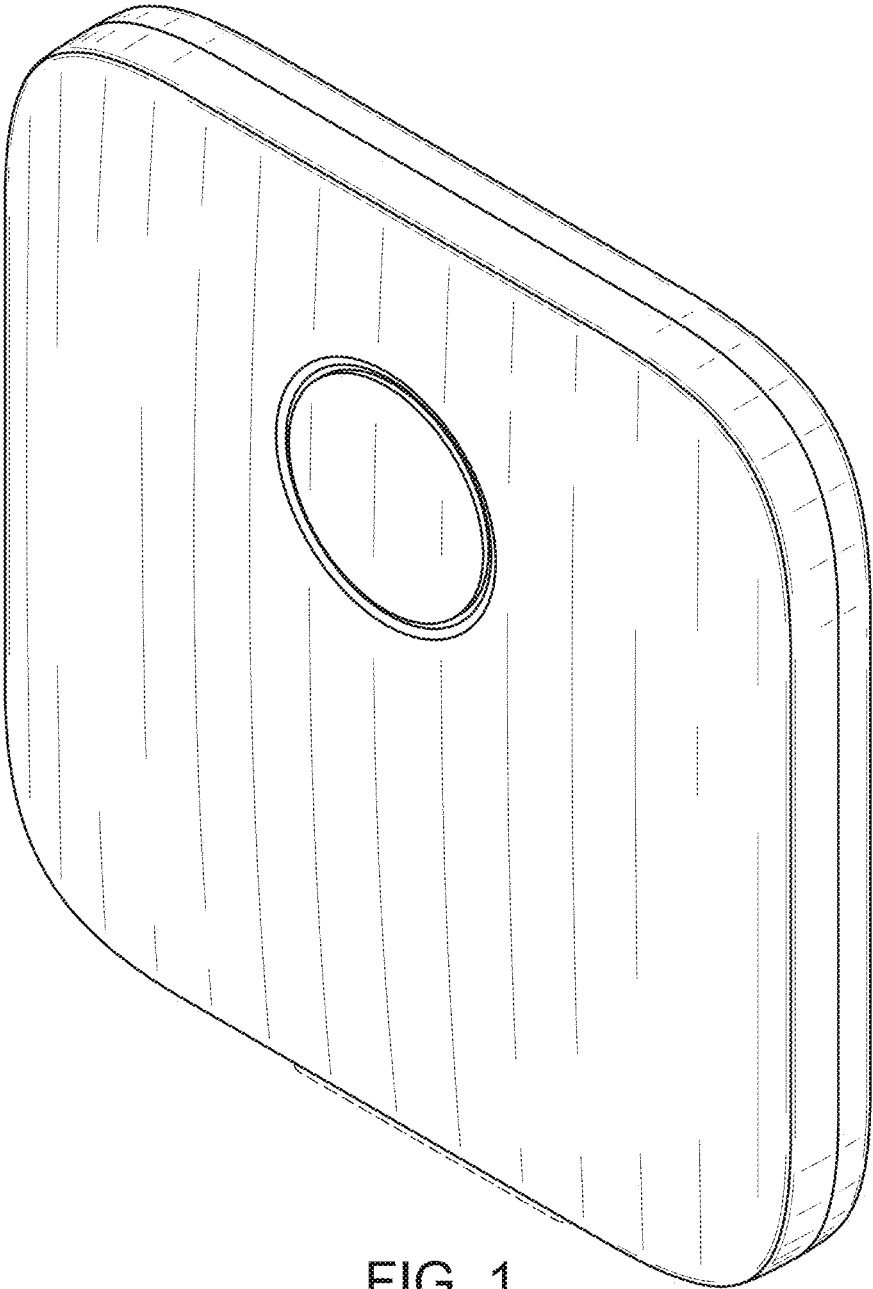


FIG. 1

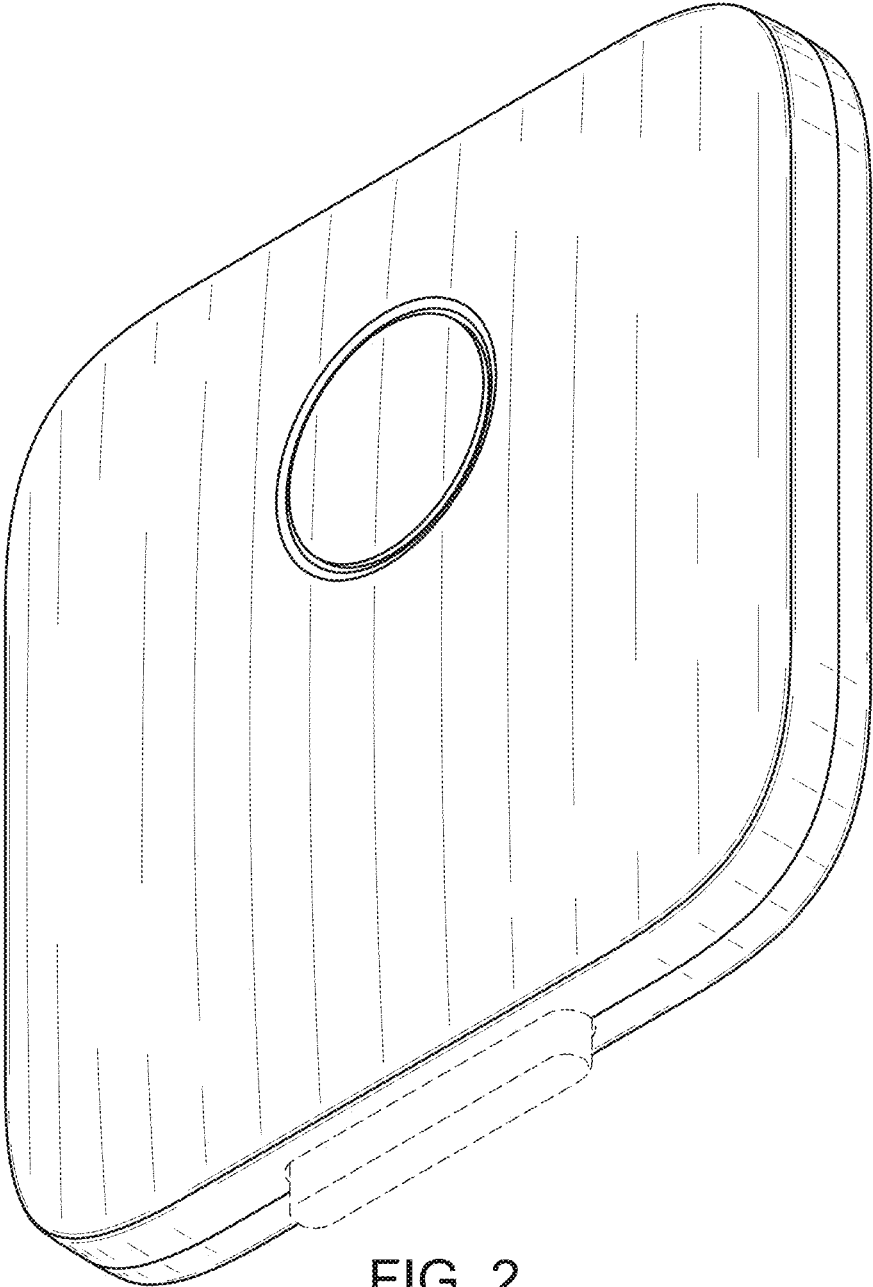


FIG. 2

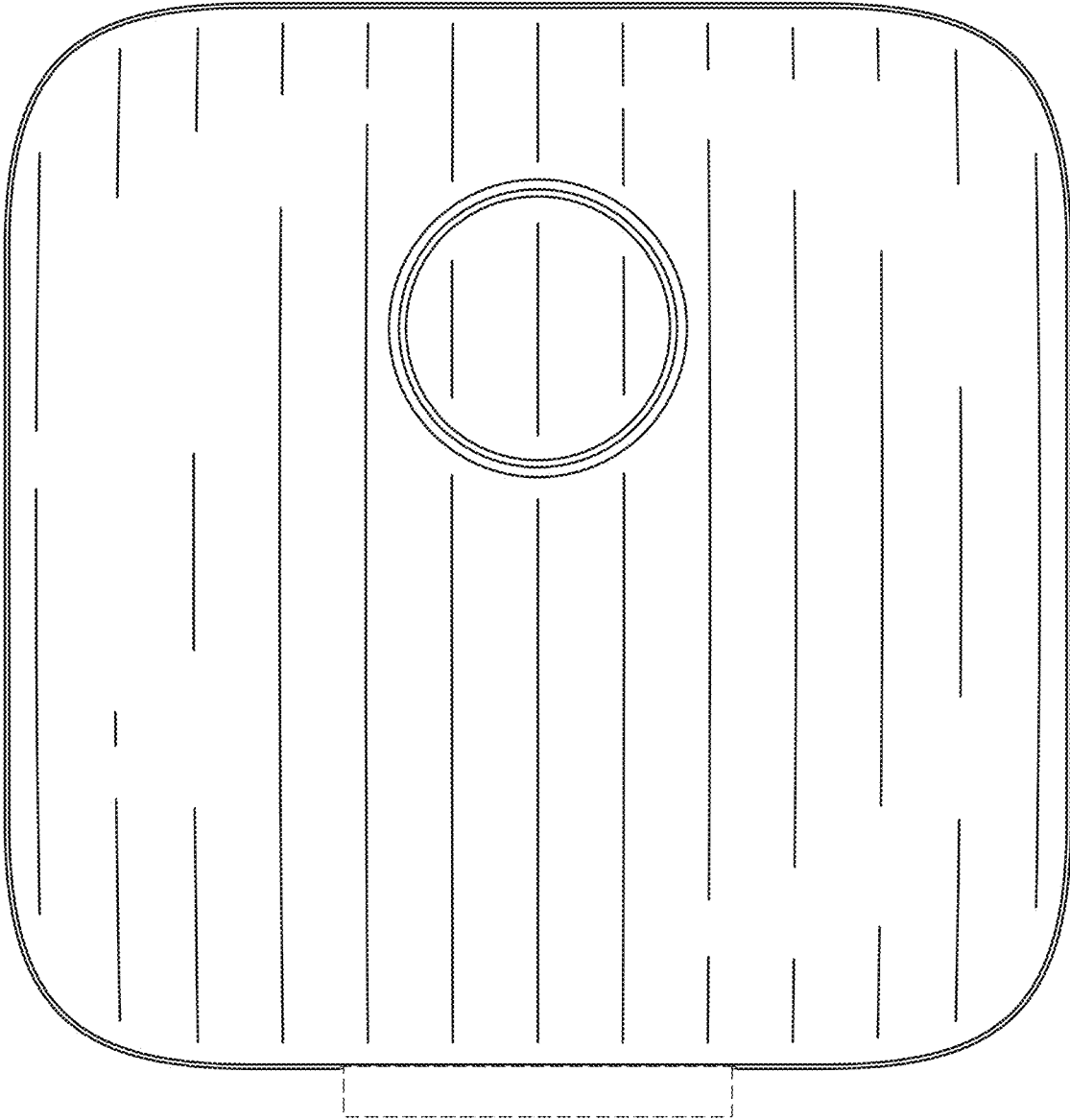


FIG. 3

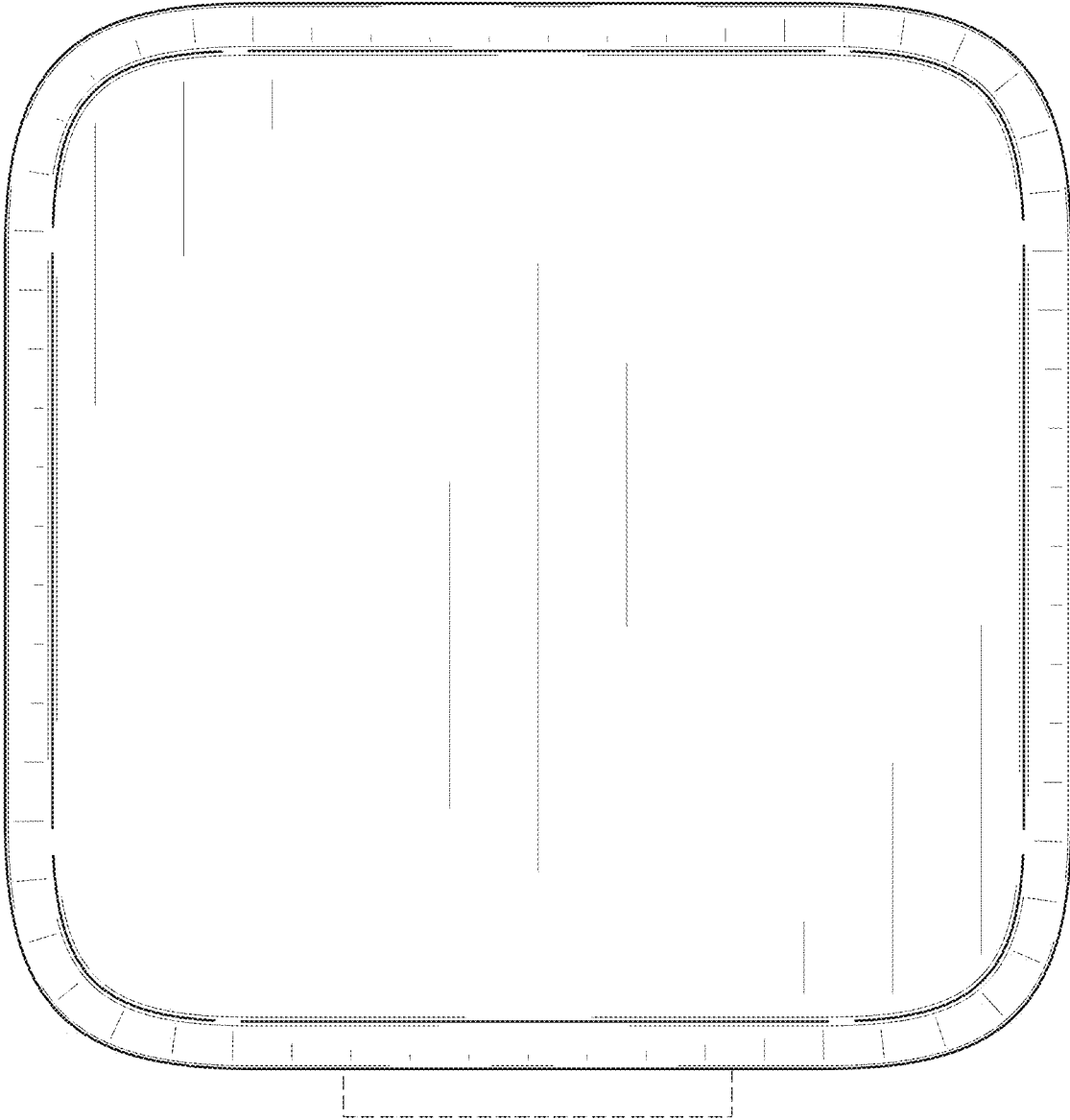


FIG. 4

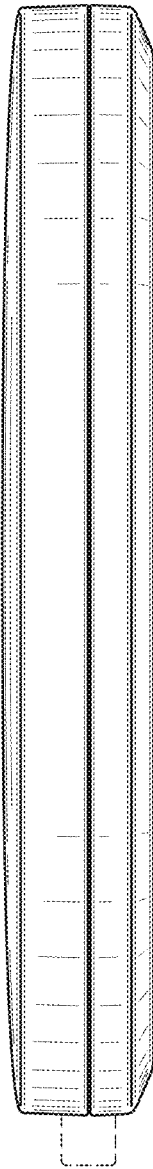


FIG. 5

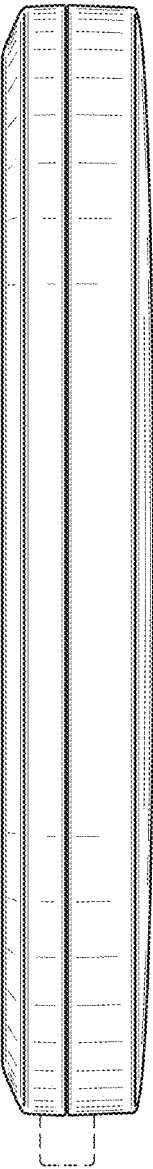


FIG. 6

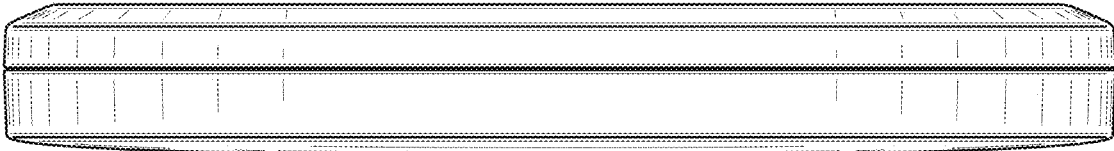


FIG. 7



FIG. 8