



(51) International Patent Classification:

F23D 14/06 (2006.01) F24C 3/08 (2006.01)
F23D 14/26 (2006.01) F24C 3/10 (2006.01)
F23D 14/58 (2006.01) F23D 14/08 (2006.01)
F23D 14/64 (2006.01)

(21) International Application Number:

PCT/IB2012/056115

(22) International Filing Date:

2 November 2012 (02.11.2012)

(25) Filing Language:

Italian

(26) Publication Language:

English

(30) Priority Data:

TO2011A001002 3 November 2011 (03.11.2011) IT
TO2011A001003 3 November 2011 (03.11.2011) IT
TO2011A001004 3 November 2011 (03.11.2011) IT
TO2011A001005 3 November 2011 (03.11.2011) IT
TO2011A001006 3 November 2011 (03.11.2011) IT

(71) Applicant: **INDESIT COMPANY S.P.A.** [IT/IT]; Viale Aristide Merloni 47, I-60044 Fabriano (AN) (IT).

(72) Inventors: **ALBERTI, Carlo**; Via XII Luglio No. 146, I-60044 Fabriano (AN) (IT). **AMATI, Enrico**; Viale Giovanni XXIII No. 9/1, I-23847 Molteno (LC) (IT). **COLUMBARIA, Carlo**; Via Giacconale 2, I-06028 Sigillo (PG) (IT). **CORRIAS, Silvio**; Strada M. Sorine Levante 17, I-14036 Moncalvo (AT) (IT).

(74) Agents: **DINI, Roberto** et al.; C/o Metroconsult S.r.l., Via Sestriere 100, I-10060 None (TO) (IT).

(81) Designated States (unless otherwise indicated, for every kind of national protection available): AE, AG, AL, AM, AO, AT, AU, AZ, BA, BB, BG, BH, BN, BR, BW, BY, BZ, CA, CH, CL, CN, CO, CR, CU, CZ, DE, DK, DM, DO, DZ, EC, EE, EG, ES, FI, GB, GD, GE, GH, GM, GT, HN, HR, HU, ID, IL, IN, IS, JP, KE, KG, KM, KN, KP, KR, KZ, LA, LC, LK, LR, LS, LT, LU, LY, MA, MD, ME, MG, MK, MN, MW, MX, MY, MZ, NA, NG, NI, NO, NZ, OM, PA, PE, PG, PH, PL, PT, QA, RO, RS, RU, RW, SC, SD, SE, SG, SK, SL, SM, ST, SV, SY, TH, TJ,

[Continued on next page]

(54) Title: GAS BURNER, IN PARTICULAR FOR A COOKING APPLIANCE

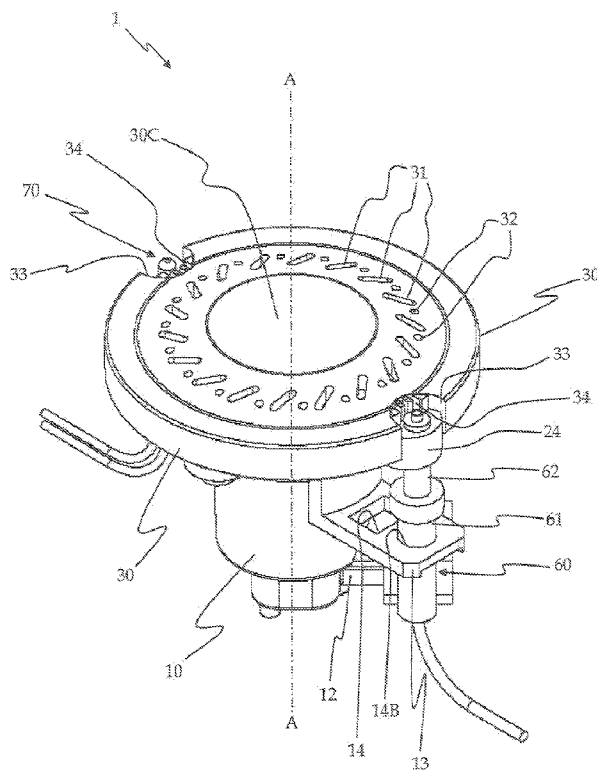


Fig. 1

(57) Abstract: The present invention relates to a gas burner (1), in particular for a cooking appliance, of the type that comprises a flame divider (30) comprising a plurality of first apertures (31) to allow the gas to escape, which are so realized as to generate a flame that propagates outwards from the burner (1) in a substantially axial direction with respect to an axis (A-A) of the burner (1). The invention is characterized in that said first apertures (31) are so realized as to have an elongated shape when viewed from above.





TM, TN, TR, TT, TZ, UA, UG, US, UZ, VC, VN, ZA, ZM, ZW.

SM, TR), OAPI (BF, BJ, CF, CG, CI, CM, GA, GN, GQ, GW, ML, MR, NE, SN, TD, TG).

(84) Designated States (*unless otherwise indicated, for every kind of regional protection available*): ARIPO (BW, GH, GM, KE, LR, LS, MW, MZ, NA, RW, SD, SL, SZ, TZ, UG, ZM, ZW), Eurasian (AM, AZ, BY, KG, KZ, RU, TJ, TM), European (AL, AT, BE, BG, CH, CY, CZ, DE, DK, EE, ES, FI, FR, GB, GR, HR, HU, IE, IS, IT, LT, LU, LV, MC, MK, MT, NL, NO, PL, PT, RO, RS, SE, SI, SK,

Published:

— *with international search report (Art. 21(3))*

(88) Date of publication of the international search report:

23 January 2014

INTERNATIONAL SEARCH REPORT

International application No
PCT/IB2012/056115

A. CLASSIFICATION OF SUBJECT MATTER
 INV. F23D14/06 F23D14/26 F23D14/58 F23D14/64 F24C3/08
 F24C3/10 F23D14/08
 ADD.
 According to International Patent Classification (IPC) or to both national classification and IPC

B. FIELDS SEARCHED
 Minimum documentation searched (classification system followed by classification symbols)
 F23D F24C

Documentation searched other than minimum documentation to the extent that such documents are included in the fields searched

Electronic data base consulted during the international search (name of data base and, where practicable, search terms used)
 EPO-Internal, WPI Data

C. DOCUMENTS CONSIDERED TO BE RELEVANT

Category*	Citation of document, with indication, where appropriate, of the relevant passages	Relevant to claim No.
X	EP 0 249 665 A2 (TEKTRONIX INC [US]) 23 December 1987 (1987-12-23)	1,3-5,16
Y	paragraphs [0001], [0013], [0014]; figures 1-3	13-15
Y	----- WO 2011/128821 A1 (INDESIT CO SPA [IT]; CORRIAS SILVIO [IT]; BARTOCETTI PIETRO [IT]) 20 October 2011 (2011-10-20) page 8, lines 21-30; figures 3,5	13,14
Y	----- US 5 275 553 A (FRISH MICHAEL B [US] ET AL) 4 January 1994 (1994-01-04) figure 2	15
X	----- US 2007/281267 A1 (LI SHENG-QUN [TW]) 6 December 2007 (2007-12-06) paragraphs [0017] - [0019]; figures 1-3 ----- -/--	1,3,4,6, 8,16

Further documents are listed in the continuation of Box C.

See patent family annex.

* Special categories of cited documents :

- "A" document defining the general state of the art which is not considered to be of particular relevance
- "E" earlier application or patent but published on or after the international filing date
- "L" document which may throw doubts on priority claim(s) or which is cited to establish the publication date of another citation or other special reason (as specified)
- "O" document referring to an oral disclosure, use, exhibition or other means
- "P" document published prior to the international filing date but later than the priority date claimed

- "T" later document published after the international filing date or priority date and not in conflict with the application but cited to understand the principle or theory underlying the invention
- "X" document of particular relevance; the claimed invention cannot be considered novel or cannot be considered to involve an inventive step when the document is taken alone
- "Y" document of particular relevance; the claimed invention cannot be considered to involve an inventive step when the document is combined with one or more other such documents, such combination being obvious to a person skilled in the art
- "&" document member of the same patent family

Date of the actual completion of the international search 12 June 2013	Date of mailing of the international search report 04/11/2013
---	--

Name and mailing address of the ISA/ European Patent Office, P.B. 5818 Patentlaan 2 NL - 2280 HV Rijswijk Tel. (+31-70) 340-2040, Fax: (+31-70) 340-3016	Authorized officer Mougey, Maurice
--	---

INTERNATIONAL SEARCH REPORT

International application No
PCT/IB2012/056115

C(Continuation). DOCUMENTS CONSIDERED TO BE RELEVANT		
Category*	Citation of document, with indication, where appropriate, of the relevant passages	Relevant to claim No.
X	US 2007/082309 A1 (ZIA NINEV K [US] ET AL) 12 April 2007 (2007-04-12) paragraphs [0032], [0033]; figures 4a,6,7 -----	1-12
X	FR 1 085 129 A (MARCEL DALLARA & ANDRE-LEON MASSON) 27 January 1955 (1955-01-27) page 1, column 1, line 19 - line 23; figures 1,2 -----	1,3,4, 6-11
X	FR 534 275 A (FR D INCANDESCENCE PAR LE GAZ) 23 March 1922 (1922-03-23) figures 1,2 -----	1,3-5,8
X	FR 981 141 A (GAZ LIQUIDES DE PETROLE SOC D) 22 May 1951 (1951-05-22) page 1, column 2, line 8 - line 32; figure 1 -----	1,3,5,8
A	US 2007/059657 A1 (YEN CHIA-HSI [TW]) 15 March 2007 (2007-03-15) sentences 20,21; figures 6-8 -----	9-12
A	US 3 825 402 A (DUPEROW D ET AL) 23 July 1974 (1974-07-23) column 4, line 24 - line 30; figure 5 -----	9-12
A	US 3 131 752 A (BLANZY EUGENE J) 5 May 1964 (1964-05-05) page 1, column 1, line 56 - column 2, line 18 -----	9-12

INTERNATIONAL SEARCH REPORT

International application No.
PCT/IB2012/056115

Box No. II Observations where certain claims were found unsearchable (Continuation of item 2 of first sheet)

This international search report has not been established in respect of certain claims under Article 17(2)(a) for the following reasons:

1. Claims Nos.:
because they relate to subject matter not required to be searched by this Authority, namely:

2. Claims Nos.:
because they relate to parts of the international application that do not comply with the prescribed requirements to such an extent that no meaningful international search can be carried out, specifically:

3. Claims Nos.:
because they are dependent claims and are not drafted in accordance with the second and third sentences of Rule 6.4(a).

Box No. III Observations where unity of invention is lacking (Continuation of item 3 of first sheet)

This International Searching Authority found multiple inventions in this international application, as follows:

see additional sheet

1. As all required additional search fees were timely paid by the applicant, this international search report covers all searchable claims.

2. As all searchable claims could be searched without effort justifying an additional fees, this Authority did not invite payment of additional fees.

3. As only some of the required additional search fees were timely paid by the applicant, this international search report covers only those claims for which fees were paid, specifically claims Nos.:

4. No required additional search fees were timely paid by the applicant. Consequently, this international search report is restricted to the invention first mentioned in the claims; it is covered by claims Nos.:

1-16

Remark on Protest

- The additional search fees were accompanied by the applicant's protest and, where applicable, the payment of a protest fee.
- The additional search fees were accompanied by the applicant's protest but the applicable protest fee was not paid within the time limit specified in the invitation.
- No protest accompanied the payment of additional search fees.

INTERNATIONAL SEARCH REPORT

Information on patent family members

International application No

PCT/IB2012/056115

Patent document cited in search report	Publication date	Patent family member(s)	Publication date
EP 0249665	A2	23-12-1987	DE 3684314 D1 16-04-1992
			EP 0249665 A2 23-12-1987
			JP S631207 A 06-01-1988
			US 4686489 A 11-08-1987

WO 2011128821	A1	20-10-2011	NONE

US 5275553	A	04-01-1994	AT 147497 T 15-01-1997
			AU 656986 B2 23-02-1995
			CA 2111578 A1 07-01-1993
			DE 69216612 D1 20-02-1997
			DE 69216612 T2 10-07-1997
			EP 0590103 A1 06-04-1994
			ES 2099939 T3 01-06-1997
			JP 2777843 B2 23-07-1998
			JP H07500897 A 26-01-1995
			US 5112215 A 12-05-1992
			US 5275553 A 04-01-1994
			WO 9300558 A1 07-01-1993

US 2007281267	A1	06-12-2007	CN 2924319 Y 18-07-2007
			US 2007281267 A1 06-12-2007

US 2007082309	A1	12-04-2007	NONE

FR 1085129	A	27-01-1955	NONE

FR 534275	A	23-03-1922	NONE

FR 981141	A	22-05-1951	NONE

US 2007059657	A1	15-03-2007	NONE

US 3825402	A	23-07-1974	NONE

US 3131752	A	05-05-1964	NONE

FURTHER INFORMATION CONTINUED FROM PCT/ISA/ 210

This International Searching Authority found multiple (groups of) inventions in this international application, as follows:

1. claims: 1-16

gas burner for a cooking appliance with flame apertures of an elongated shape when viewed from above

2. claims: 17-26

gas burner for a cooking appliance with a particular shape for the gas/air mixing compartment

3. claims: 27-41

gas burner for a cooking appliance with snap fitting between the body and the cup

4. claims: 42-56

gas burner for a cooking appliance with particular layout of flame igniting and detecting elements

5. claims: 57-72

gas burner for a cooking appliance with flame divider made of sintered material
