



US00D744126S

(12) **United States Design Patent**
Glachman

(10) **Patent No.:** **US D744,126 S**

(45) **Date of Patent:** **** Nov. 24, 2015**

(54) **LED REPLACEMENT BULB**

(71) Applicant: **Green Lumens LLC**, Boca Raton, FL (US)

(72) Inventor: **Neil Glachman**, Boca Raton, FL (US)

(73) Assignee: **GREEN LUMENS LLC**, Boca Raton, FL (US)

(**) Term: **14 Years**

(21) Appl. No.: **29/503,693**

(22) Filed: **Sep. 29, 2014**

(51) **LOC (10) Cl.** **26-04**

(52) **U.S. Cl.**
USPC **D26/3**

(58) **Field of Classification Search**
USPC D26/1-4; 313/313, 315, 316, 317, 318,
313/493; 315/52, 53, 56, 57, 58
See application file for complete search history.

(56) **References Cited**

U.S. PATENT DOCUMENTS

D477,093 S * 7/2003 Moriyama et al. D26/3
D506,274 S * 6/2005 Moriyama et al. D26/3

D574,093 S * 7/2008 Kitagawa et al. D26/3
D576,749 S * 9/2008 Kitagawa et al. D26/3
D594,999 S * 6/2009 Uchida et al. D26/3
D597,686 S * 8/2009 Noh D26/3
D601,726 S * 10/2009 Mollaert et al. D26/3
D621,975 S * 8/2010 Wang D26/3

* cited by examiner

Primary Examiner — Marcus Jackson

(74) *Attorney, Agent, or Firm* — Levenfeld Pearlstein, LLC

(57) **CLAIM**

The ornamental design for a LED replacement bulb, as shown and described.

DESCRIPTION

FIG. 1 is a perspective view of a LED replacement bulb embodying my new design; FIG. 2 is an end view thereof, the opposite end view being identical thereto; FIG. 3 is a top view thereof; FIG. 4 is a side view thereof, the opposite side view being identical thereto; and, FIG. 5 is a bottom view thereof. FIGS. 1, 3, 4 and 5 being shown with portions cut away to indicate no specific length.

1 Claim, 2 Drawing Sheets

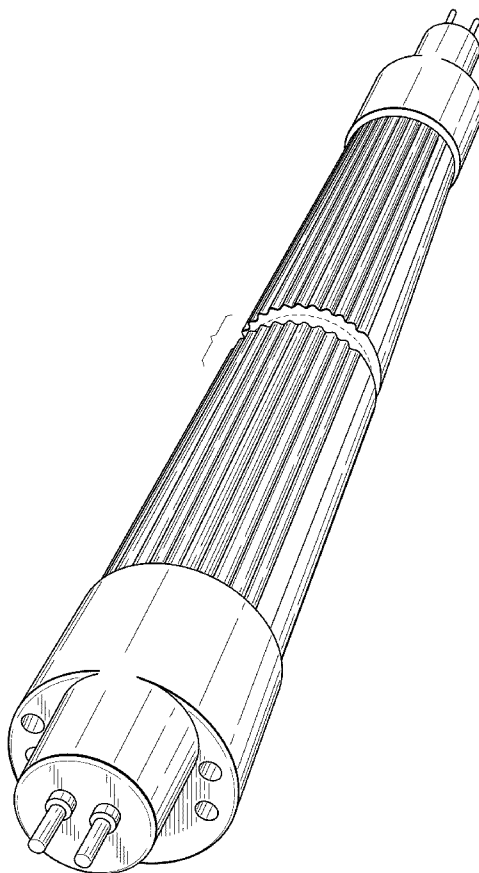


Fig. 1

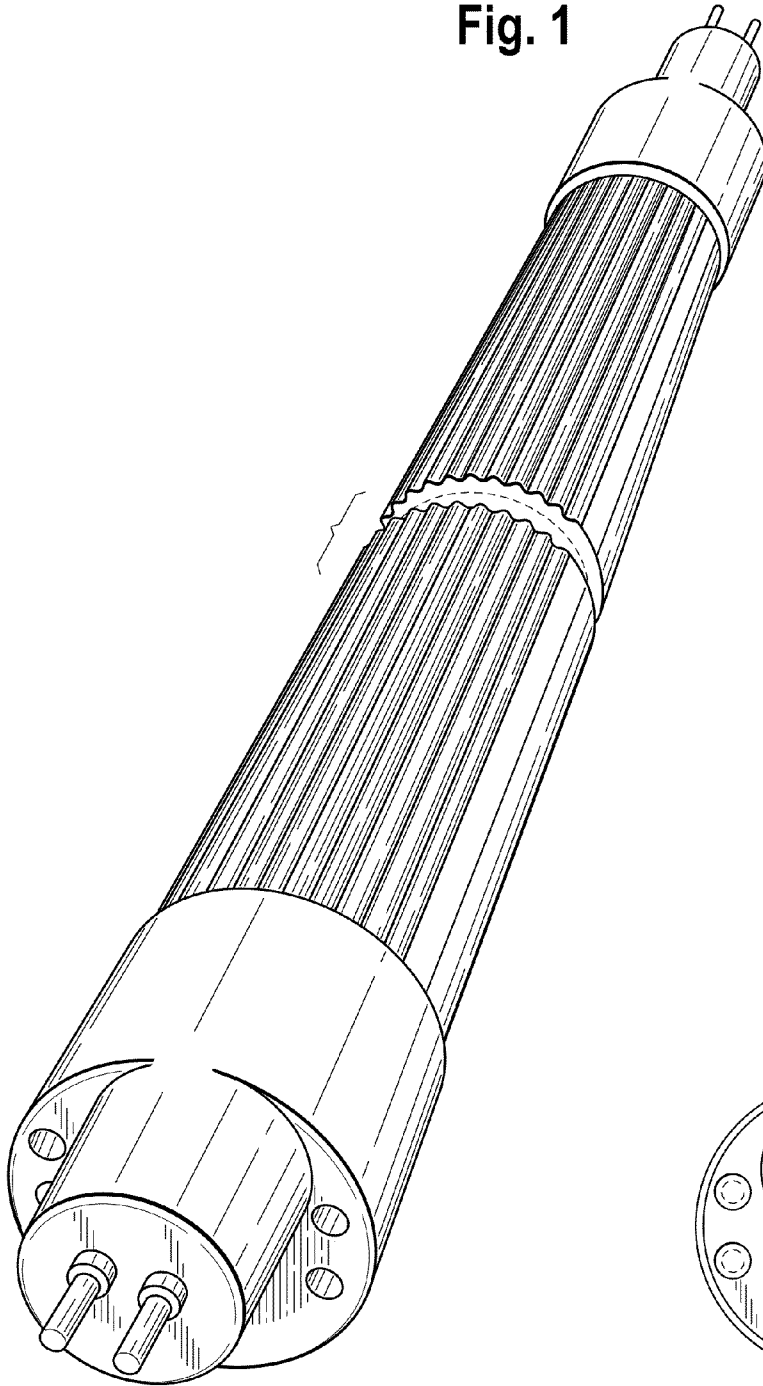


Fig. 2

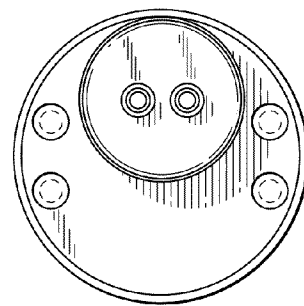


Fig. 3

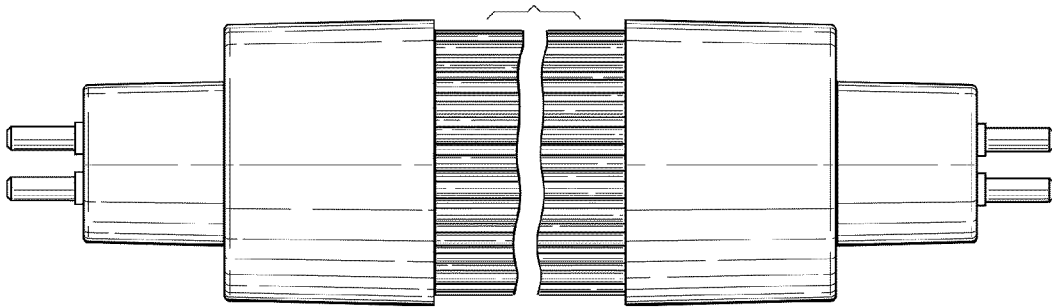


Fig. 4

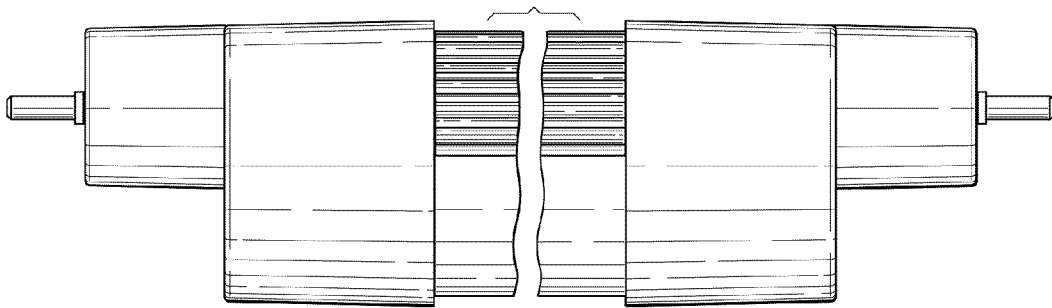


Fig. 5

