



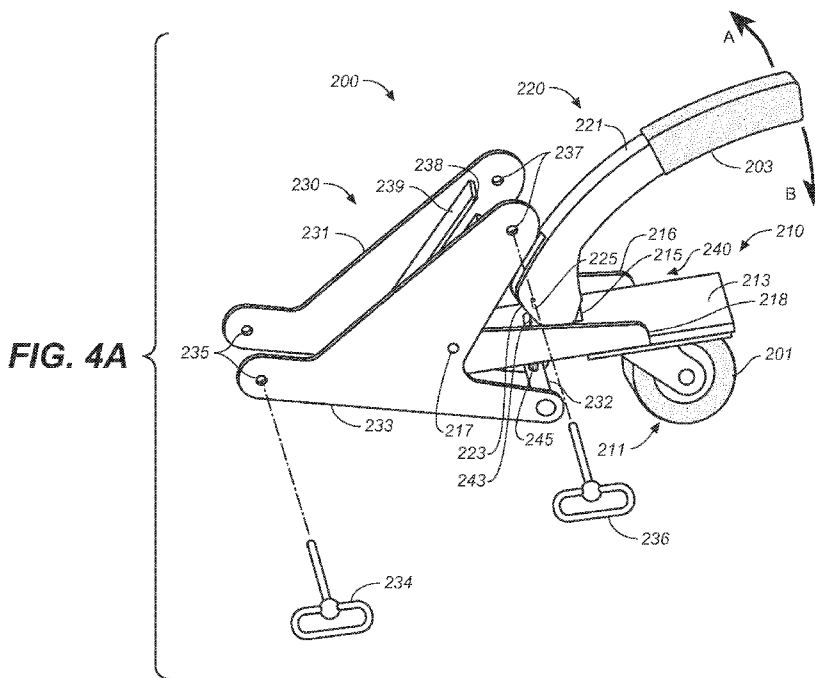
- (51) International Patent Classification: *A63B 71/00* (2006.01)
- (21) International Application Number: PCT/US2012/029122
- (22) International Filing Date: 14 March 2012 (14.03.2012)
- (25) Filing Language: English
- (26) Publication Language: English
- (30) Priority Data: 61/453,047 15 March 2011 (15.03.2011) US
- (71) Applicant (for all designated States except US): **FITNESS ANYWHERE, LLC** [US/US]; 755 Sansome Street, San Francisco, CA 94111 (US).
- (72) Inventors; and
- (75) Inventors/Applicants (for US only): **HETRICK, Randal** [US/US]; 755 Sansome Street, San Francisco, CA 94111 (US). **KIM, Tae** [US/US]; 2948 20th Street, #103, San Francisco, CA 94110 (US). **MARCELINO, Christine** [US/US]; 2852 22nd Street, San Francisco, CA 94110 (US). **RUSSO, Stephanie** [US/US]; 1810 McAllister Street, San Francisco, CA 94115 (US).
- (74) Agent: **VOSEN, Steven, R.**; 1563 Solano Ave., #206, Berkeley, CA 94707 (US).
- (81) Designated States (unless otherwise indicated, for every kind of national protection available): AE, AG, AL, AM, AO, AT, AU, AZ, BA, BB, BG, BH, BR, BW, BY, BZ, CA, CH, CL, CN, CO, CR, CU, CZ, DE, DK, DM, DO, DZ, EC, EE, EG, ES, FI, GB, GD, GE, GH, GM, GT, HN, HR, HU, ID, IL, IN, IS, JP, KE, KG, KM, KN, KP, KR, KZ, LA, LC, LK, LR, LS, LT, LU, LY, MA, MD, ME, MG, MK, MN, MW, MX, MY, MZ, NA, NG, NI, NO, NZ, OM, PE, PG, PH, PL, PT, QA, RO, RS, RU, RW, SC, SD, SE, SG, SK, SL, SM, ST, SV, SY, TH, TJ, TM, TN, TR, TT, TZ, UA, UG, US, UZ, VC, VN, ZA, ZM, ZW.
- (84) Designated States (unless otherwise indicated, for every kind of regional protection available): ARIPO (BW, GH, GM, KE, LR, LS, MW, MZ, NA, RW, SD, SL, SZ, TZ, UG, ZM, ZW), Eurasian (AM, AZ, BY, KG, KZ, MD, RU, TJ, TM), European (AL, AT, BE, BG, CH, CY, CZ, DE, DK, EE, ES, FI, FR, GB, GR, HR, HU, IE, IS, IT, LT, LU, LV, MC, MK, MT, NL, NO, PL, PT, RO, RS, SE, SI, SK, SM, TR), OAPI (BF, BJ, CF, CG, CI, CM, GA, GN, GQ, GW, ML, MR, NE, SN, TD, TG).

Published:

— with international search report (Art. 21(3))

[Continued on next page]

(54) Title: ASSEMBLY FOR A MOVABLE FRAME



(57) Abstract: A caster assembly for a frame is described that permits a frame to be easily moved and placed. The caster assembly, which may lift a leg of the frame, can be placed or removed without picking up the frame. The caster assembly further includes a handle that moves a cam for engaging the caster assembly with the leg. A frame having at least one caster assembly is also described.

WO 2012/125762 A3



— *before the expiration of the time limit for amending the claims and to be republished in the event of receipt of amendments (Rule 48.2(h))*

(88) Date of publication of the international search report:
27 December 2012

INTERNATIONAL SEARCH REPORT

International application No.
PCT/US2012/029122**A. CLASSIFICATION OF SUBJECT MATTER****A63B 71/00(2006.01)i**

According to International Patent Classification (IPC) or to both national classification and IPC

B. FIELDS SEARCHED

Minimum documentation searched (classification system followed by classification symbols)

A63B 71/00; B62B 3/02; B62B 1/00; A63B 69/30; A63B 69/34

Documentation searched other than minimum documentation to the extent that such documents are included in the fields searched

Korean utility models and applications for utility models

Japanese utility models and applications for utility models

Electronic data base consulted during the international search (name of data base and, where practicable, search terms used)

eKOMPASS(KIPO internal) & Keywords: caster assembly, frame, plurality of legs, wheel, cam surface

C. DOCUMENTS CONSIDERED TO BE RELEVANT

Category*	Citation of document, with indication, where appropriate, of the relevant passages	Relevant to claim No.
X A	US 7789811 B2 (COOPER, SCOTT R.) 07 September 2010 See the abstract, claim 1, and figures 1, 5, 6.	1,3,9,10 2,4-8,11,12
A	US 2006-0066065 A1 (MASON, KEVIN J. et al.) 30 March 2006 See the abstract, claims 1, 6, 13, 14, and figures 2-5.	1-12
A	US 2008-0061523 A1 (HOLAND, ED) 13 March 2008 See the abstract, claims 1, 8, and figures 2-5.	1-12
A	US 2006-0038369 A1 (ABRAHAM, RICHARD J.) 23 February 2006 See the abstract, claims 1, 2, and figures 1-6.	1-12

 Further documents are listed in the continuation of Box C. See patent family annex.

* Special categories of cited documents:

"A" document defining the general state of the art which is not considered to be of particular relevance

"E" earlier application or patent but published on or after the international filing date

"L" document which may throw doubts on priority claim(s) or which is cited to establish the publication date of citation or other special reason (as specified)

"O" document referring to an oral disclosure, use, exhibition or other means

"P" document published prior to the international filing date but later than the priority date claimed

"T" later document published after the international filing date or priority date and not in conflict with the application but cited to understand the principle or theory underlying the invention

"X" document of particular relevance; the claimed invention cannot be considered novel or cannot be considered to involve an inventive step when the document is taken alone

"Y" document of particular relevance; the claimed invention cannot be considered to involve an inventive step when the document is combined with one or more other such documents, such combination being obvious to a person skilled in the art

"&" document member of the same patent family

Date of the actual completion of the international search

10 OCTOBER 2012 (10.10.2012)

Date of mailing of the international search report

29 OCTOBER 2012 (29.10.2012)

Name and mailing address of the ISA/KR

Korean Intellectual Property Office
189 Cheongsa-ro, Seo-gu, Daejeon Metropolitan
City, 302-701, Republic of Korea

Facsimile No. 82-42-472-7140

Authorized officer

Kim, Kyoung Hou

Telephone No. 82-42-481-3360



INTERNATIONAL SEARCH REPORT

Information on patent family members

International application No.

PCT/US2012/029122

Patent document cited in search report	Publication date	Patent family member(s)	Publication date
US 7789811 B2	07.09.2010	US 2008-0139367 A1 US 2011-0035918 A1 US 8109862 B2	12.06.2008 17.02.2011 07.02.2012
US 2006-0066065 A1	30.03.2006	None	
US 2008-0061523 A1	13.03.2008	None	
US 2006-0038369 A1	23.02.2006	US 2002-0117821 A1 US 2003-0122333 A1 US 6592134 B2 US 7350621 B2 WO 2004-016878 A1	29.08.2002 03.07.2003 15.07.2003 01.04.2008 26.02.2004