



US0D1000992S

(12) **United States Design Patent**  
**Dai**

(10) **Patent No.:** **US D1,000,992 S**

(45) **Date of Patent:** **\*\* Oct. 10, 2023**

- (54) **WATCH STRAP**
- (71) Applicant: **Yinqing Dai**, Shanwei (CN)
- (72) Inventor: **Yinqing Dai**, Shanwei (CN)
- (\*\*) Term: **15 Years**
- (21) Appl. No.: **29/823,331**

D973,532 S *	12/2022	Zheng .....	D11/3
D976,737 S *	1/2023	Wu .....	D11/3
D977,360 S *	2/2023	Hu .....	D14/344
D988,169 S *	6/2023	Lin .....	D11/3

\* cited by examiner

*Primary Examiner* — Llorelys Martinez  
(74) *Attorney, Agent, or Firm* — Daniel M. Cohn;  
Howard M. Cohn

- (22) Filed: **Jan. 17, 2022**
- (51) **LOC (14) Cl.** ..... **11-01**
- (52) **U.S. Cl.**  
USPC ..... **D11/3**
- (58) **Field of Classification Search**  
USPC ..... D11/1-6; D10/30-32, 38, 70; D24/167,  
D24/186; D14/344  
CPC ... A44C 5/0007; A44C 5/0015; A44C 5/0023;  
A44C 5/003; A44C 5/0046; A44C  
5/0053; A44C 5/14; A44C 5/16  
See application file for complete search history.

(57) **CLAIM**

The ornamental design for a watch strap, as shown and described.

**DESCRIPTION**

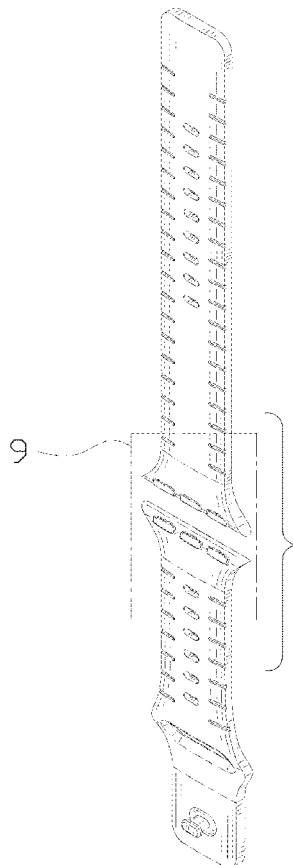
FIG. 1 is a perspective view of a watch strap showing my new design;  
 FIG. 2 is another perspective view thereof;  
 FIG. 3 is a front elevational view thereof;  
 FIG. 4 is a rear elevational view thereof;  
 FIG. 5 is a left side elevational view thereof;  
 FIG. 6 is a right side elevational view thereof;  
 FIG. 7 is a top plan view thereof;  
 FIG. 8 is a bottom plan view thereof; and,  
 FIG. 9 is an enlarged view of portion 9 shown in FIG. 1.  
 The dash-dash broken lines in the drawings depict portions of the watch strap that form no part of the claimed design. The dot-dash broken lines of FIGS. 1 and 9 are included to show a partially enlarged view only and form no part of the claimed design.

(56) **References Cited**

**U.S. PATENT DOCUMENTS**

D297,417 S *	8/1988	Asano .....	D11/2
D399,434 S *	10/1998	Monjugawa .....	D10/32
D860,033 S *	9/2019	Quan .....	D11/3
D946,446 S *	3/2022	Zheng .....	D11/3
D949,711 S *	4/2022	Huang .....	D10/32

**1 Claim, 9 Drawing Sheets**



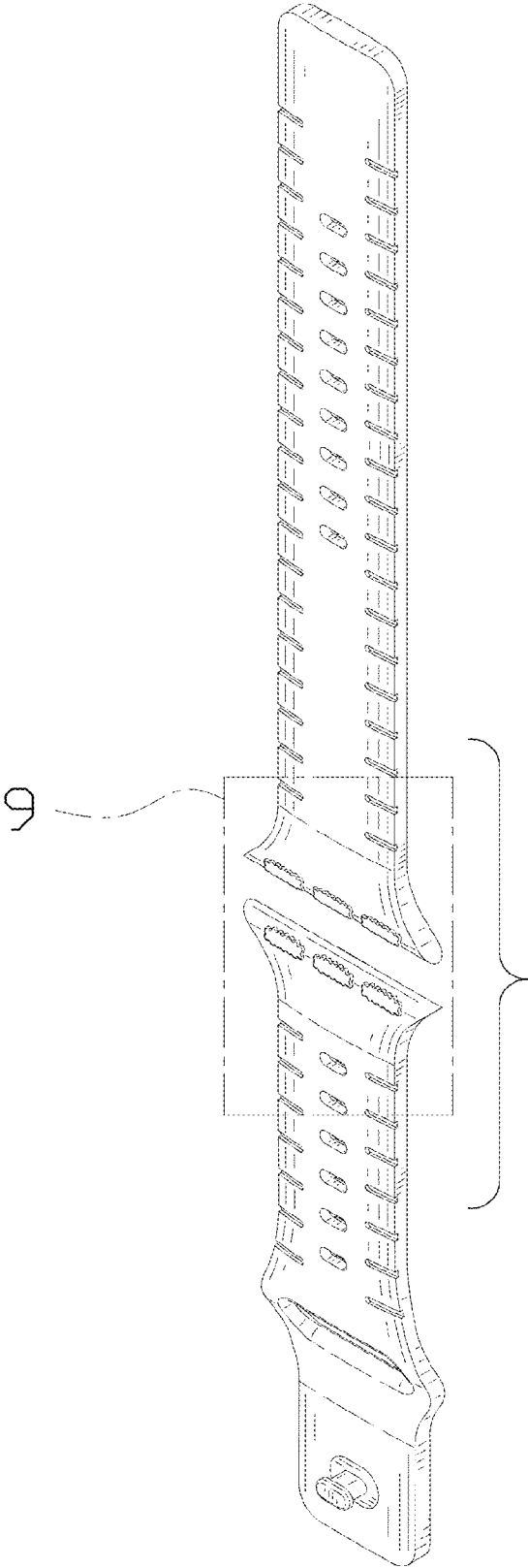


FIG. 1

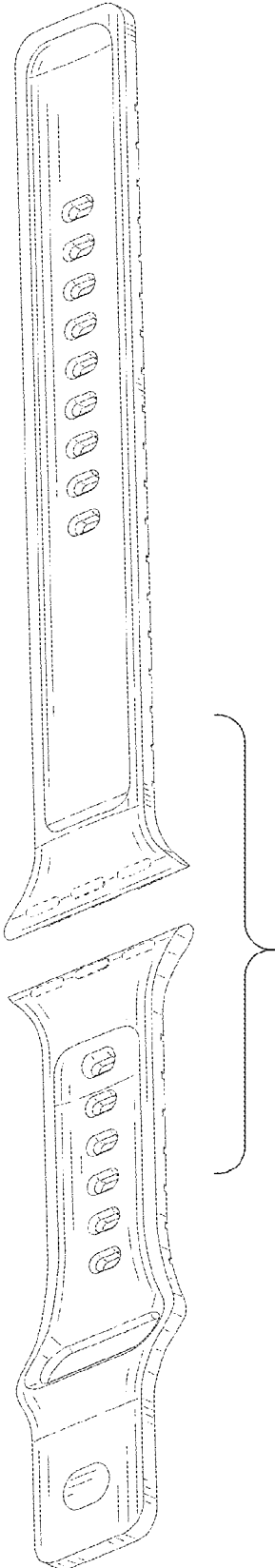


FIG. 2

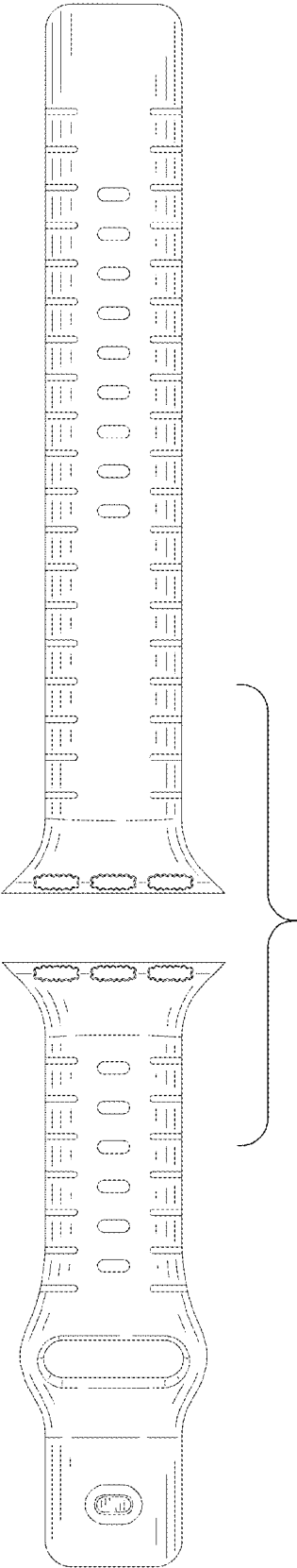


FIG. 3

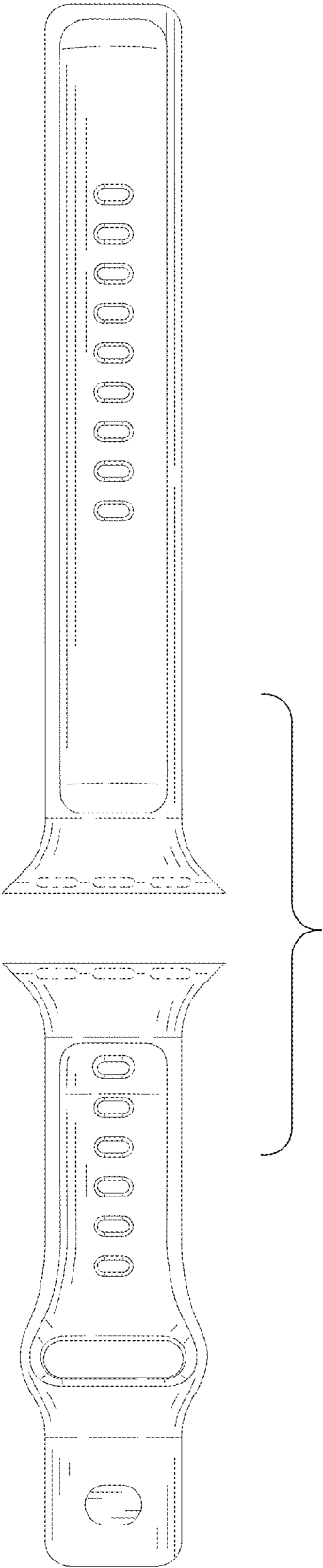


FIG. 4

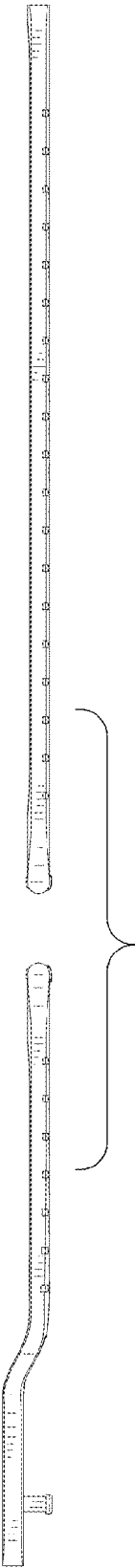


FIG. 5

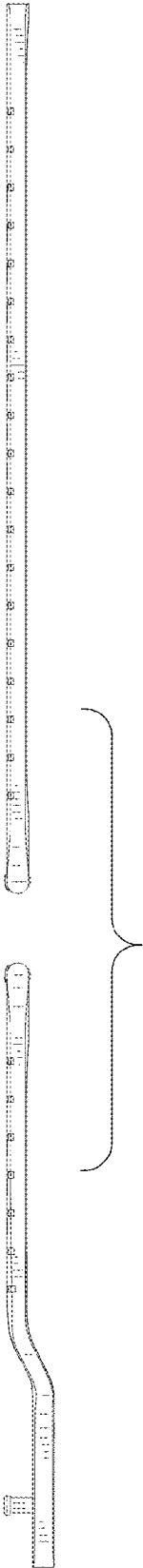


FIG. 6

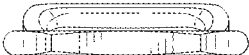


FIG. 7

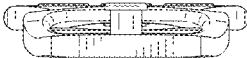


FIG. 8

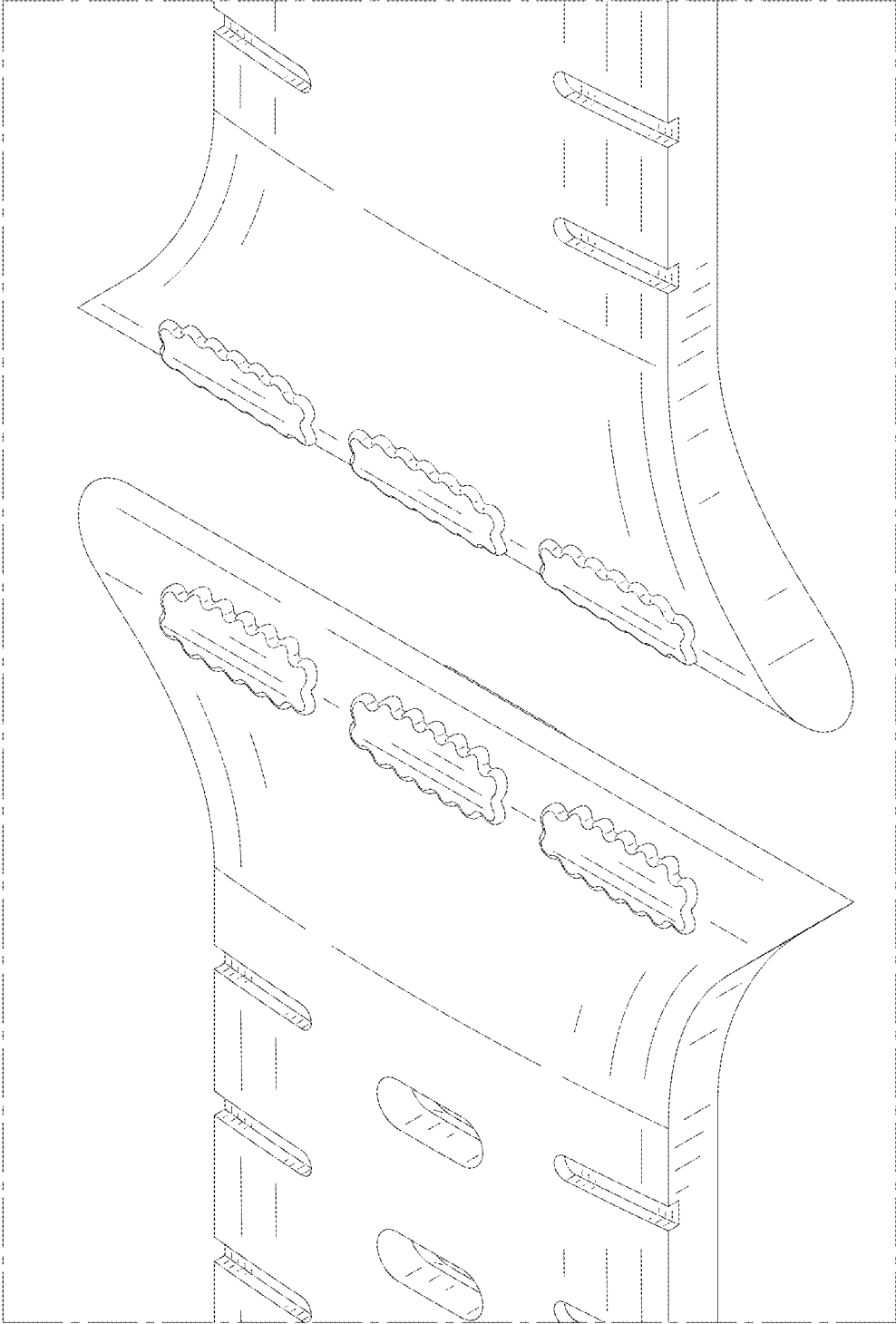


FIG. 9