



US00D414906S

United States Patent [19]

[11] Patent Number: **Des. 414,906**

Garske et al.

[45] Date of Patent: **** Oct. 5, 1999**

[54] **PORTABLE SPIKE BRUSH STAND**

[75] Inventors: **Stephen J. Garske**, Little Canada;
Stanley W. Widmer, Browerville, both
of Minn.

[73] Assignee: **Par Aide Products Co.**, St. Paul, Minn.

[**] Term: **14 Years**

[21] Appl. No.: **29/095,499**

[22] Filed: **Oct. 23, 1998**

[51] **LOC (6) Cl.** **08-99**

[52] **U.S. Cl.** **D32/47**

[58] **Field of Search** D32/47; 15/110,
15/112, 159.1, 160, 161, 237, 105; D4/118,
119, 120, 130

[56] **References Cited**

U.S. PATENT DOCUMENTS

D. 109,603	5/1938	Butt	D32/47
D. 189,287	11/1960	Dobbins	D32/47
D. 386,858	11/1997	Mandish	D32/47
1,124,650	1/1915	Perron	15/110
1,149,729	8/1915	Clippinger	15/110

Primary Examiner—Susan J. Lucas
Assistant Examiner—Cynthia E Ramirez
Attorney, Agent, or Firm—Schwegman, Lündberg,
Woessner & Kluth PA

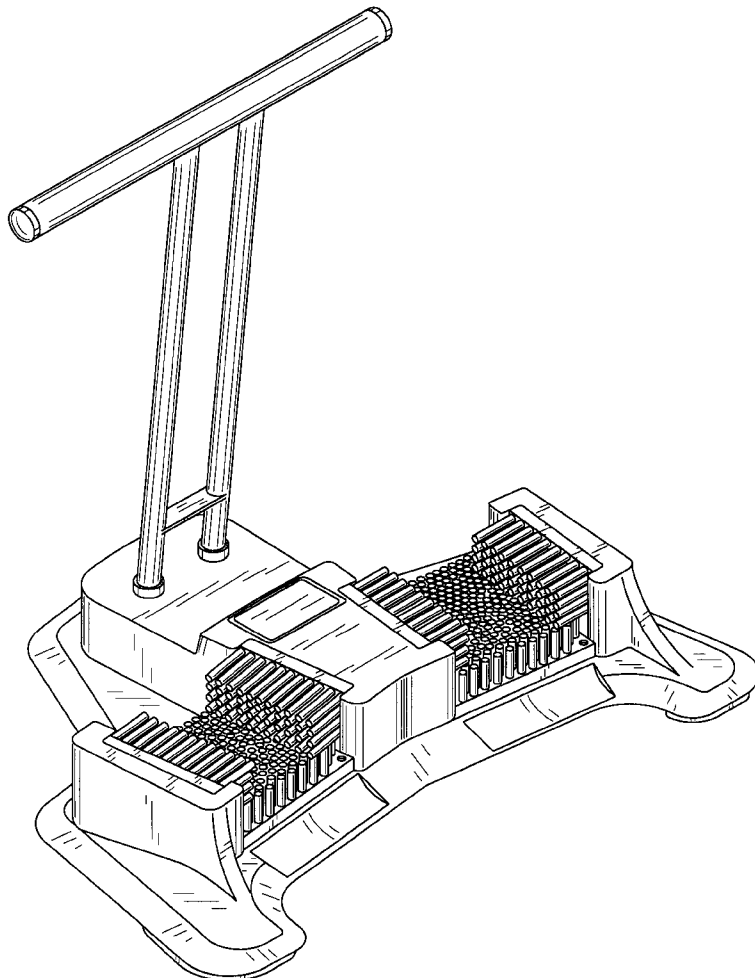
[57] **CLAIM**

The ornamental design for a portable spike brush stand, as shown and described.

DESCRIPTION

FIG. 1 is a perspective view of a portable spike brush stand, incorporating the new design.
FIG. 2 is a top view of the portable spike brush stand of FIG. 1.
FIG. 3 is a bottom view of the portable spike brush stand of FIG. 1.
FIG. 4 is a rear elevation of the portable spike brush stand of FIG. 1.
FIG. 5 is a front elevation of the portable spike brush stand of FIG. 1.
FIG. 6 is a right side elevation of the portable spike brush stand of FIG. 1; and,
FIG. 7 is a left side elevation of the portable spike brush stand of FIG. 1.

1 Claim, 6 Drawing Sheets



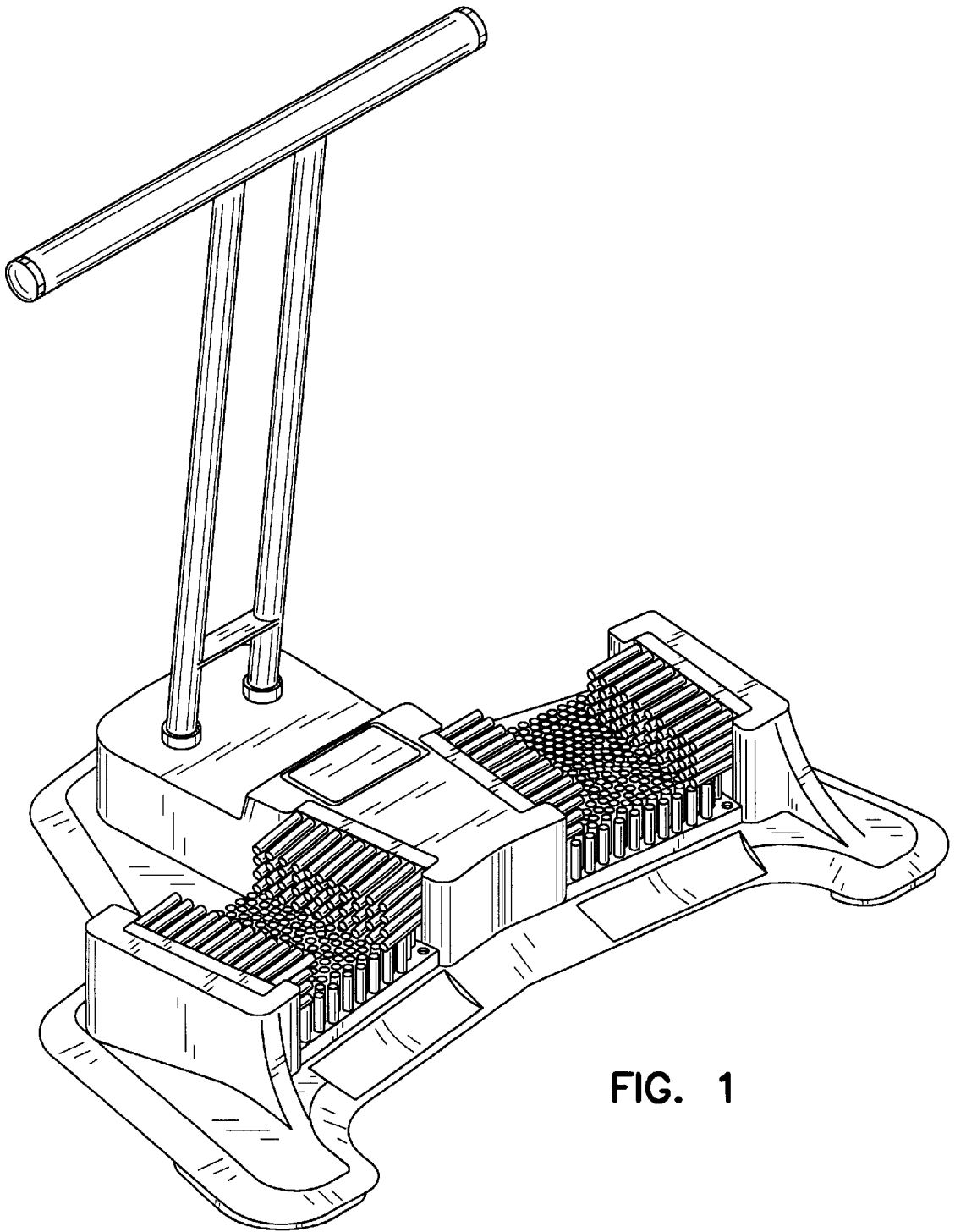
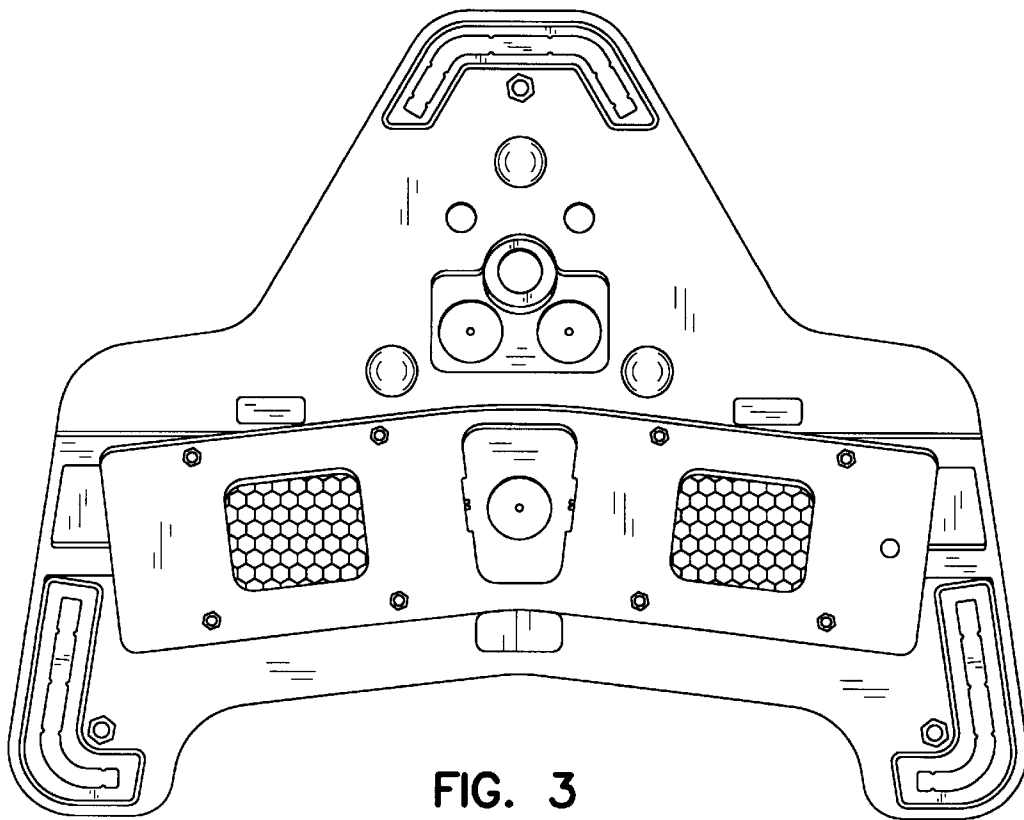
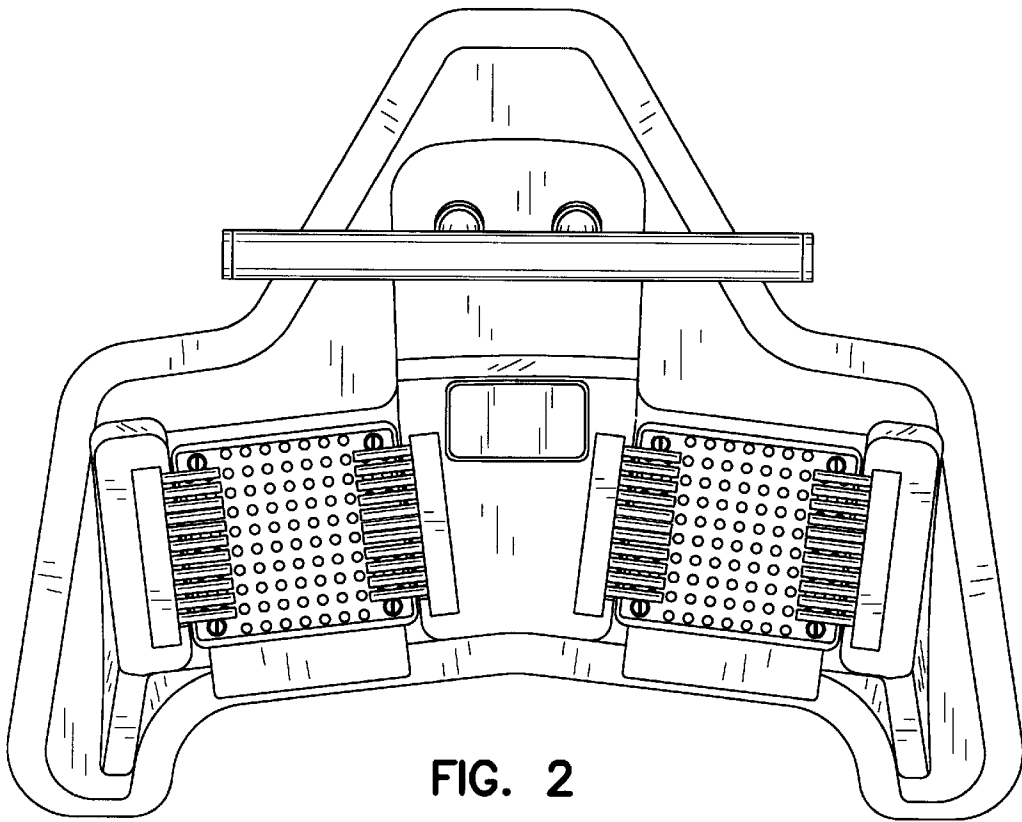


FIG. 1



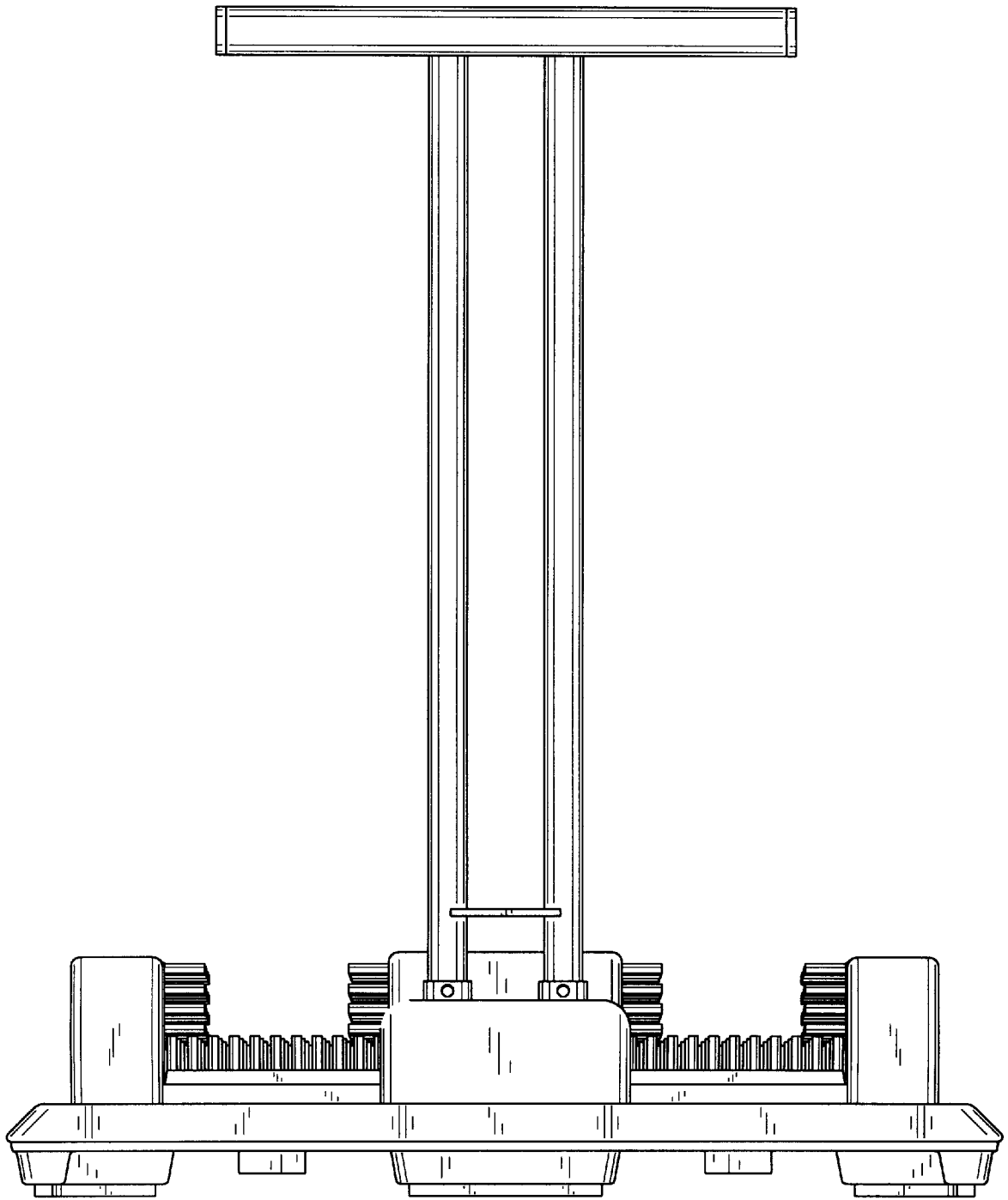


FIG. 4

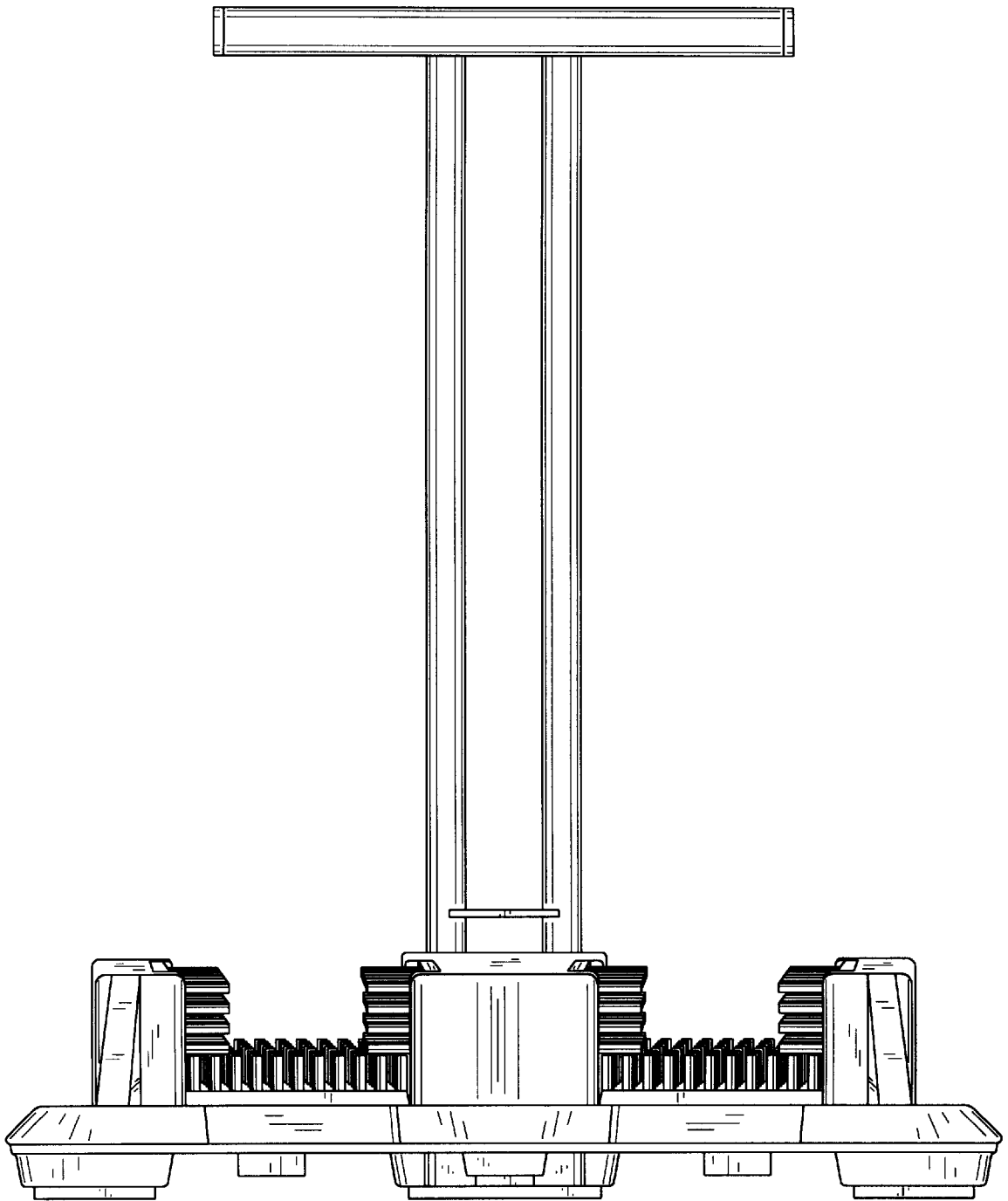


FIG. 5

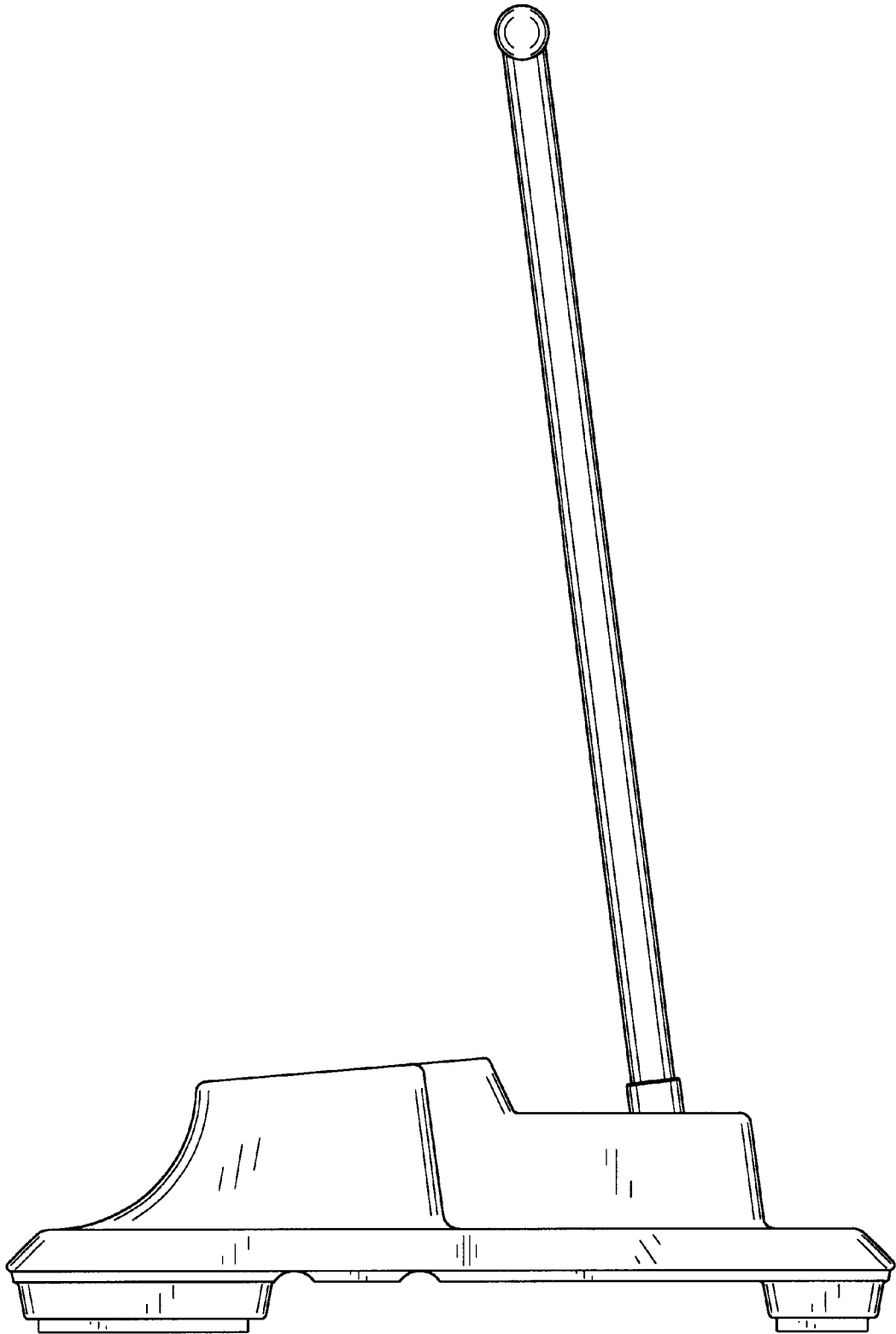


FIG. 6

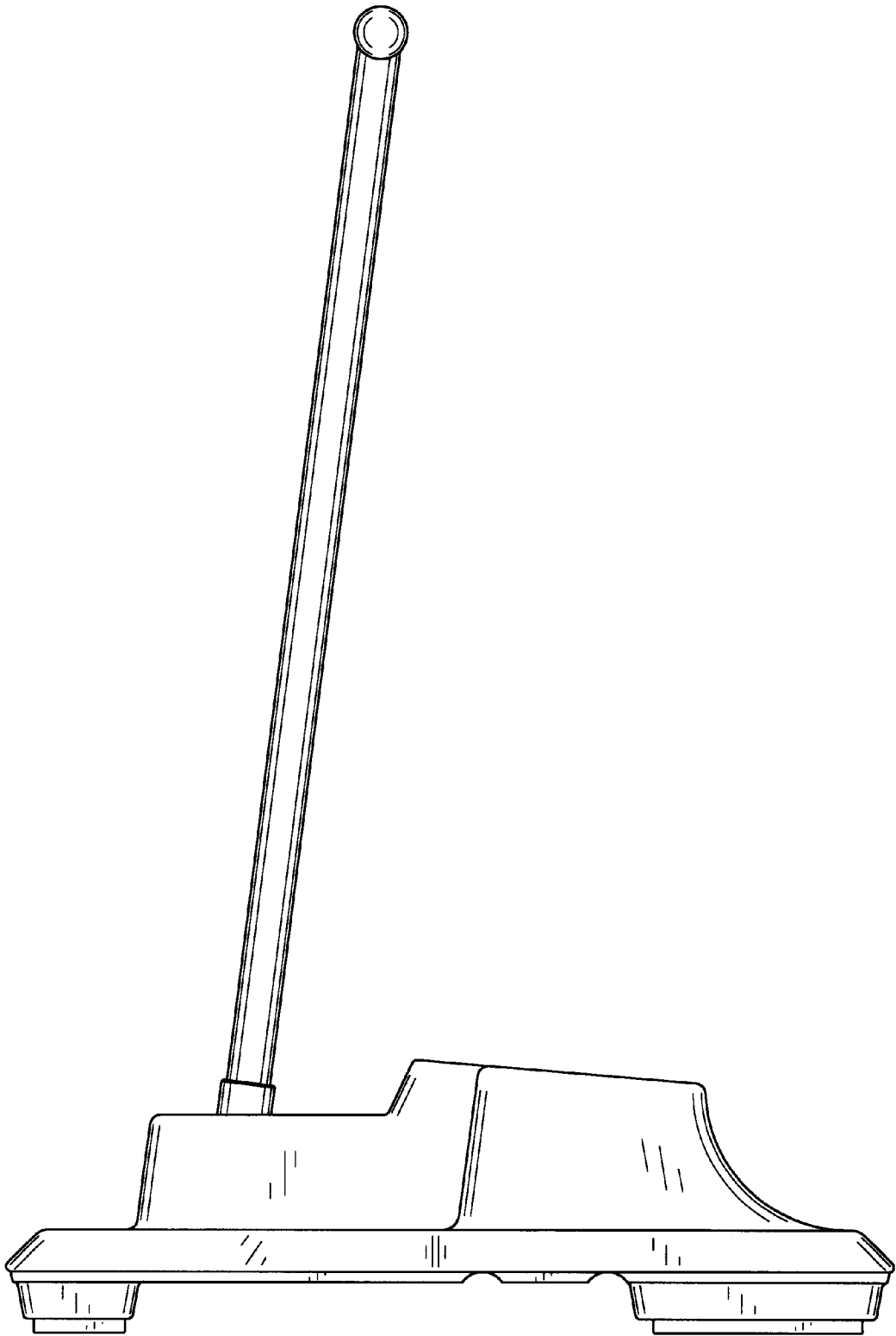


FIG. 7