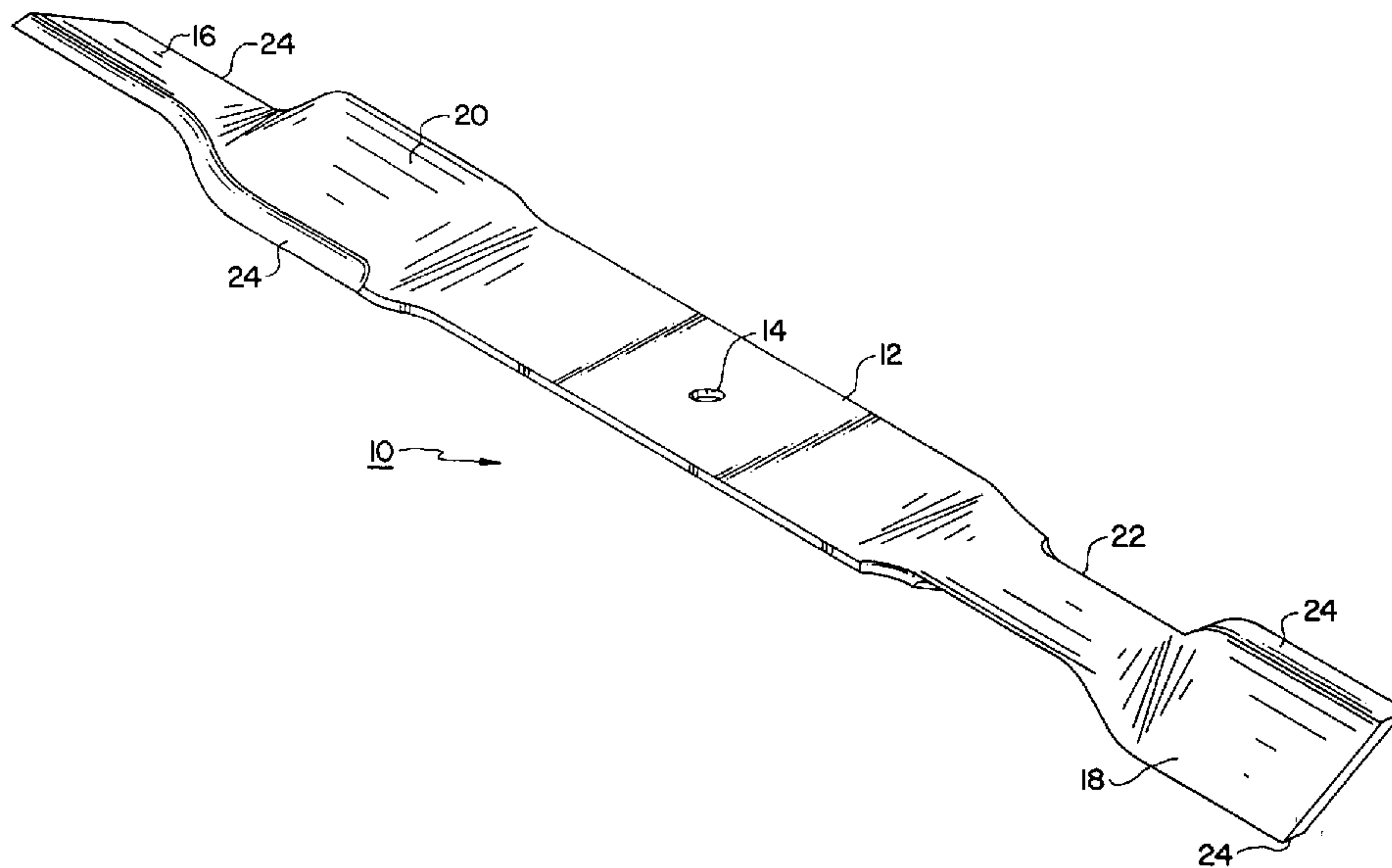




(22) Date de dépôt/Filing Date: 1997/09/10
 (41) Mise à la disp. pub./Open to Public Insp.: 1998/03/13
 (45) Date de délivrance/Issue Date: 2002/11/12
 (30) Priorité/Priority: 1996/09/13 (08/713,502) US

(51) Cl.Int.⁶/Int.Cl.⁶ A01D 34/73
 (72) Inventeurs/Inventors:
 PITMAN, Richard J., US;
 SCOTT, Paul L., US
 (73) Propriétaire/Owner:
 MURRAY, INC., US
 (74) Agent: GOWLING LAFLEUR HENDERSON LLP

(54) Titre : LAME DE TONDEUSE A GAZON REVERSIBLE
 (54) Title: REVERSIBLE MOWER BLADE



(57) Abrégé/Abstract:

A reversible mower blade is formed from an elongated length of bar stock, the end portions of the blade including respective outer segments twisted in opposite senses about the longitudinal axis of the blade's central portion and respective inner segments also twisted in opposite senses about the axis. The inner and outer segment which form an end portion of the blade are twisted about the axis in opposite sense relative to one another.

5

ABSTRACT OF THE DISCLOSURE

A reversible mower blade is formed from an elongated length of bar stock, the end portions of the blade including respective outer segments twisted in opposite senses about the longitudinal axis of the blade's central portion and respective inner segments also twisted in opposite senses about the axis. The inner and outer segment which form an end portion of the blade are twisted about the axis in opposite sense relative to one another.

10

15

REVERSIBLE MOWER BLADE

5

BACKGROUND OF THE INVENTION1. Field of the Invention

10

The present invention relates to a blade for a rotary mower which cuts and mulches grass and which is reversible when its cutting edges become dull.

2. Prior Art

15

Conventional mower blades are provided with sharpened edges at their outer ends for cutting grass as the blades are rotated. Additionally, such blades have been provided with auxiliary elements which cause grass clippings produced during mowing to be cut into finer pieces so as to form mulch. After extensive use, however, the sharpened cutting edges become dull, and it is necessary to remove the blade and re-sharpen it in order to restore the blade to its optimum cutting capability.

20

25

The shortcoming of having to remove a mower blade and re-sharpen it due to dull cutting edges has been addressed previously. For example, U.S. Patent 4,765,127, granted to Elic Hamblen on August 28, 1988, discloses a mower blade which is sharpened at each end along both its leading and trailing edges. As the leading edges become dull, the mounting of the blade onto a rotatable drive shaft of the mower is reversed. As a result, what formerly were the leading edges of the blade

30

35

become the trailing edges, and vice versa.

SUMMARY OF THE INVENTION

The present invention constitutes an improvement over the reversible mower blade disclosed in U.S. Patent 4,765,127. More particularly, the outer ends of the mower blade are each formed with a pair of adjacent blade segments respectively twisted in opposite sense about a longitudinal axis of the blade to form planes inclined to that of the central portion of the blade. The blade segments are sharpened on both their leading ^{bottom} and trailing ^{top} edges. During operation, the blade's contour causes grass clippings to be circulated within the housing of the mower so as to direct them to the sharpened leading edges of the blade segments whereby the clippings are further cut into mulch. When the leading edges become dull, the blade is reversed on the mower's drive shaft so as to present new leading edges to the grass being cut.

BRIEF DESCRIPTION OF THE DRAWINGS

The invention will be described in greater detail with respect to the accompanying drawings of a preferred embodiment of the invention, wherein:

FIG. 1 is a top plan view of a mower blade;

FIG. 2 is a side elevational view thereof;

FIG. 3 is an end view thereof; and

FIG. 4 is a perspective view thereof.

DETAILED DESCRIPTION OF A PREFERRED EMBODIMENT OF THE INVENTION

Referring to the drawings, a blade 10 comprises a piece of flat bar stock of rectangular cross-section having a sequence of twists provided at its outer ends. The blade includes a flat

central portion 12 provided with an aperture 14
for receiving the drive shaft of a rotary mower
(not shown) to which the blade is attached in a
conventional manner. The blade 10 is further
5 provided with correspondingly shaped twisted end
segments 16 and 18 at the outer end portions of
the blade. Segments 16 and 18 are formed at the
outermost ends of the blades by twisting the blade
ends approximately 15° - 45° about the longitudinal
10 axis of the blade. When viewed from the end of
the blade containing segment 16, that segment is
twisted counterclockwise relative to the blade's
longitudinal axis, while segment 18 is twisted
clockwise.

15 Additional segments 20 and 22 are
located in coextensive integral relationship with
respective segments 16 and 18 just inwardly
thereof. However, each segment 20 and 22 is
twisted in an opposite sense with respect to its
.0 adjacent segment. More particularly, when viewed
from the end of the blade containing segment 16,
the adjacent segment 20 is twisted approximately
 2° - 25° in a clockwise direction about the
longitudinal axis of the blade, while segment 22
25 is twisted in a counterwise direction, also
approximately 2° - 25° .

Segments 16, 18, 20 and 22 are of
similar length and form about two-thirds of the
total length of the blade. The edges of the four
30 segments are sharpened, as shown generally by 24, (Fig.4)
such that when the blade is mounted on the mower's
drive shaft (not shown) so as to be rotated in a
substantially horizontal plane by the mower's
engine, the leading edges of segments 16 and 18
35 cut grass located in their paths.

As a result of being twisted in opposite
senses about the blade's longitudinal axis, the

main portions of segments 16 and 18 lie in inclined planes disposed approximately 15°-45° relative to the plane of blade's central portion 12. Similarly, the main portions of segments 20 and 22 lie in inclined planes of approximately 2°-25° relative to portion 12. Consequently, when the blade 10 is rotated within the confined space formed by a conventional mower housing (not shown), air within the housing is circulated relative to the blade as now will be described.

When the blade 10 is rotated in a clockwise direction about the axis of aperture 14 (as shown in FIGS. 1 and 4), segments 16 and 18 are inclined downwardly relative to the blade's central portion 12, while segments 20 and 22 are inclined upwardly. The blade's rotation causes the leading edges of segments 16 and 18 to cut the grass, and the clippings are lifted by segments 16 and 18. However, because the leading edges of segments 20 and 22 are above the plane of the blade's central portion 12, such rotation also results in segments 20 and 22 creating a downdraft. This draws the clippings into the paths of the sharpened leading edges of segments 20 and 22 thereby more finely cutting the clippings to produce a mulch in the form of grass particles which fall into the cut area to add nutrients to the soil.

Eventually, the leading edges of the blade will become dull. When this occurs, the symmetry of the blade permits the blade to be removed from the mower's drive shaft, inverted and re-secured to the shaft so as to function as a reversible mower blade. By such reversal, what previously were the trailing edges of the blade become the blade's sharpened leading edges. Of course, when they also become dull, the blade must

be removed so that all edges can be sharpened. However, because the blade is reversible, the frequency of re-sharpening is reduced relative to the requirements of conventional non-reversible mower blades.

5

THE EMBODIMENTS OF THE INVENTION IN WHICH AN EXCLUSIVE
PROPERTY OR PRIVILEGE IS CLAIMED ARE DEFINED AS FOLLOWS:

1. A reversible mower blade,
comprising:
an elongated central portion integrally
5 joined at its opposite ends to respective end
portions, said central and end portions being
disposed along a common longitudinal axis and each
end portion including an outer segment and a
contiguous inner segment;
10 said outer segments being twisted
equally in opposite senses relative to the central
portion about said longitudinal axis;
said inner segments being twisted
equally in opposite senses relative to the central
15 portion about said longitudinal axis, the inner
segment of each end portion being twisted about
the longitudinal axis in opposite sense to the
twist of its respective outer segment; and
said end portions including edge
20 surfaces on opposite sides thereof extending
towards the central portion, said edge surfaces
being sharpened so as to form cutting edges on
said opposite sides of each of the end portions.
2. A reversible mower blade according
25 to Claim 1, wherein said outer segments are
twisted approximately 15° - 45° about said
longitudinal axis.
3. A reversible mower blade according
to Claim 1 or 2, wherein said inner segments are
30 twisted approximately 2° - 25° about said
longitudinal axis.
4. A reversible mower blade according
to Claim 3, wherein said blade is formed from a
single length of flat bar stock.

5. A reversible mower blade according to Claim 1, wherein said segments are of substantially the same length and wherein the central portion has a length substantially the same as an end portion.

6. A reversible mower blade according to Claim 5, wherein said outer segments are twisted approximately 15° - 45° about said longitudinal axis.

7. A reversible mower blade according to claim 5 or 6, wherein said inner segments are twisted approximately 2° - 25° about said longitudinal axis.

8. A reversible mower blade according to Claim 7, wherein said blade is formed from a single length of flat bar stock.

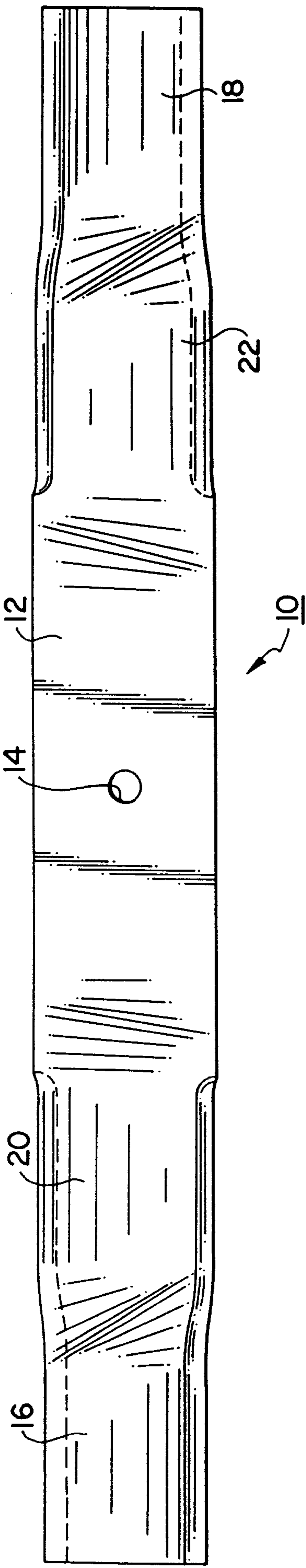


FIG. 1

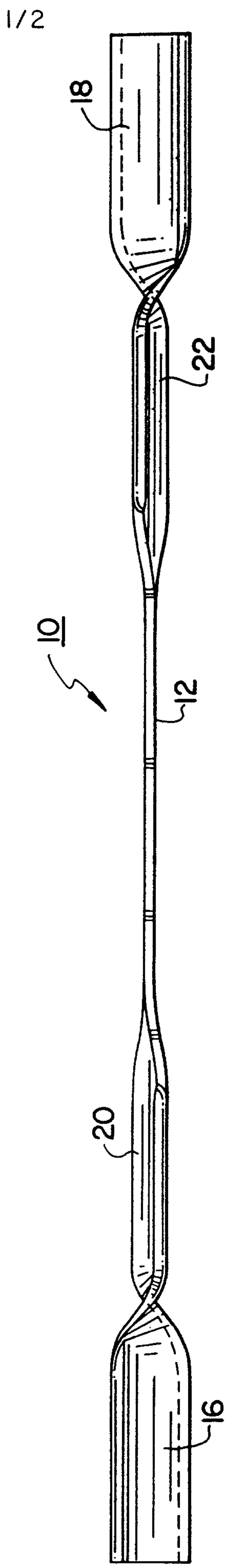


FIG. 2

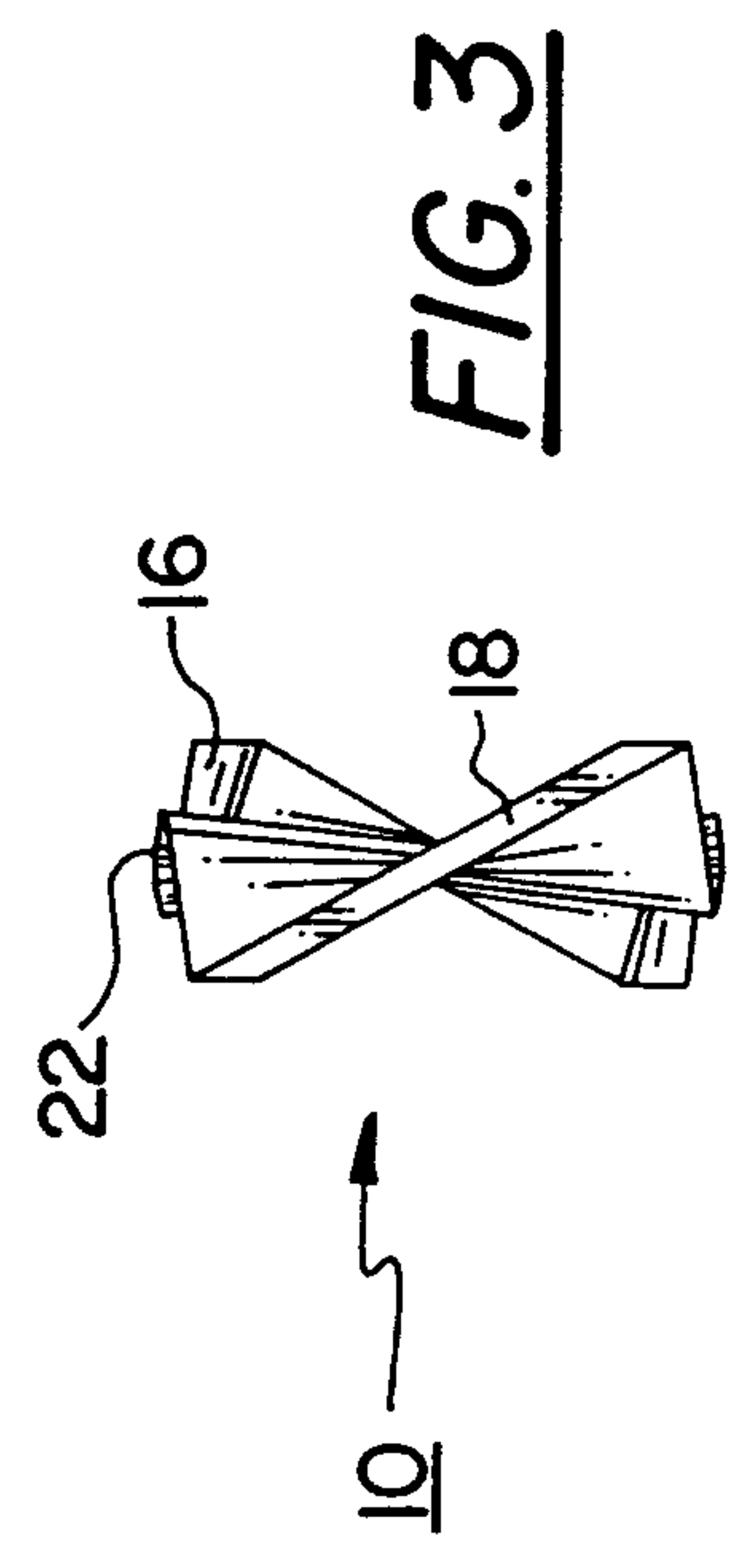


FIG. 3

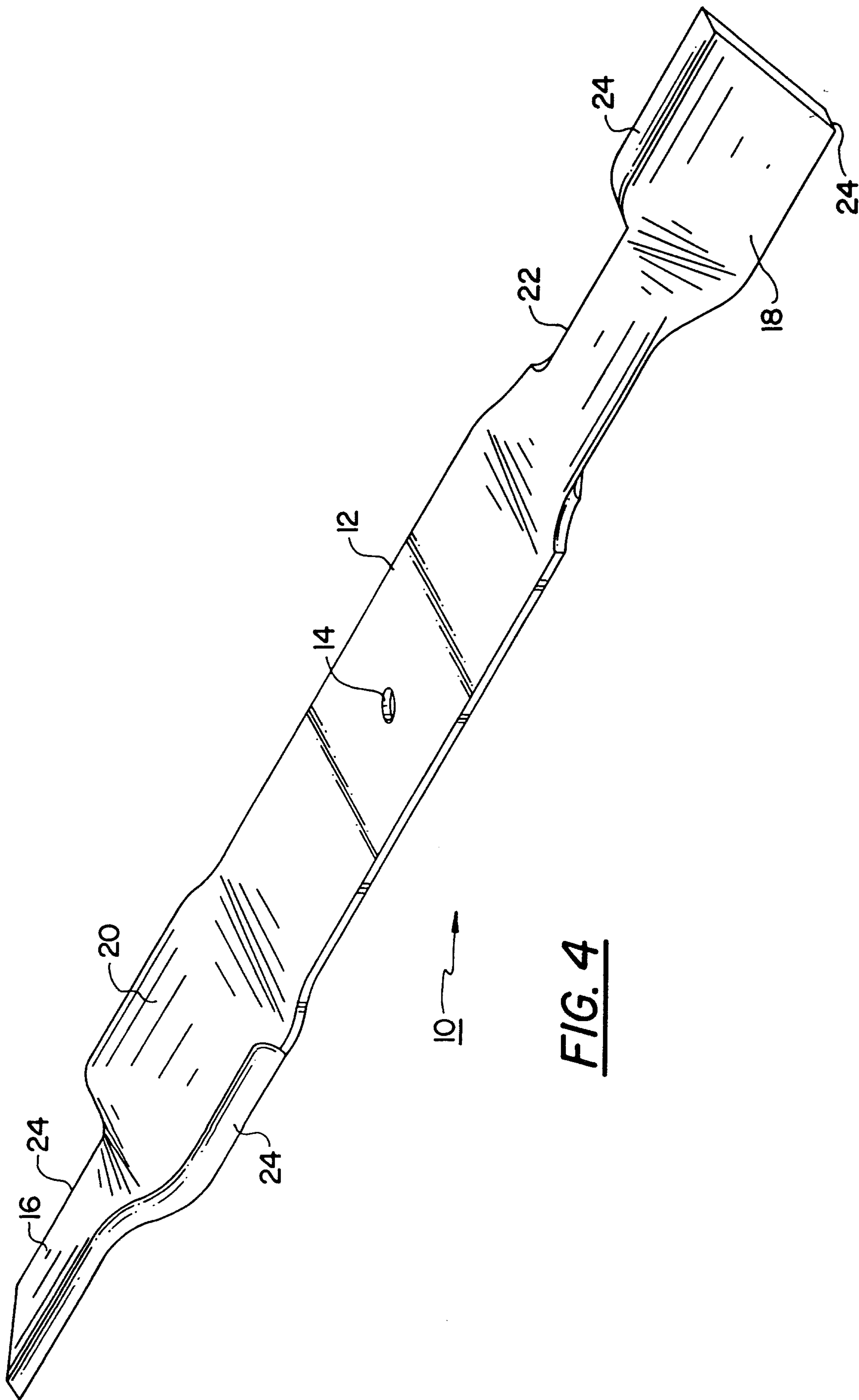


FIG. 4

