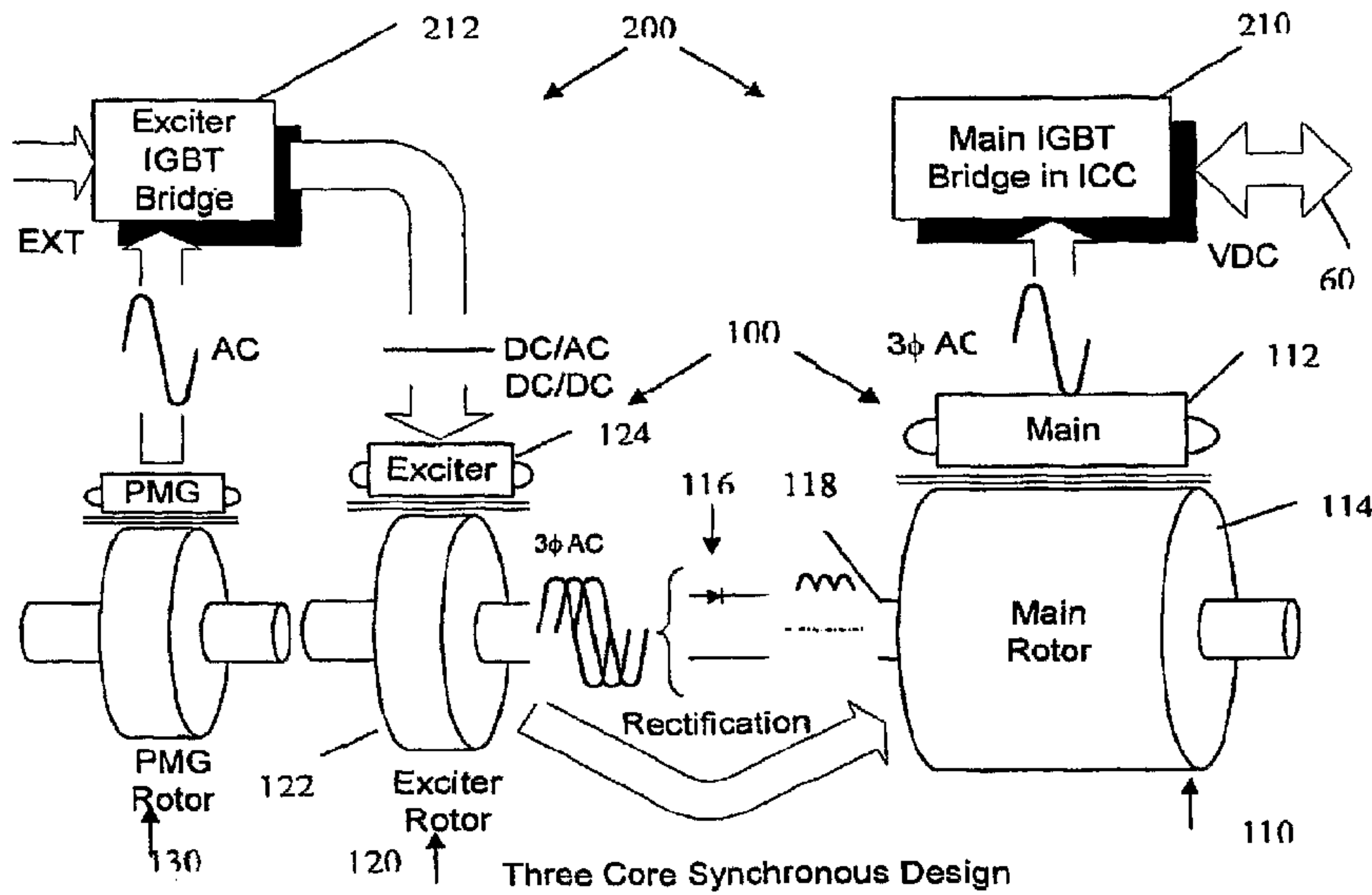




(86) **Date de dépôt PCT/PCT Filing Date:** 2007/03/23
 (87) **Date publication PCT/PCT Publication Date:** 2007/10/04
 (45) **Date de délivrance/Issue Date:** 2016/02/23
 (85) **Entrée phase nationale/National Entry:** 2008/09/11
 (86) **N° demande PCT/PCT Application No.:** US 2007/007192
 (87) **N° publication PCT/PCT Publication No.:** 2007/111970
 (30) **Priorités/Priorities:** 2006/03/24 (US60/785,363);
 2006/06/14 (US11/452,236)

(51) **Cl.Int./Int.Cl. F02N 11/04** (2006.01),
F01D 19/00 (2006.01), **F02C 7/268** (2006.01),
H02P 9/00 (2006.01)
 (72) **Inventeurs/Inventors:**
 HUANG, HAO, US;
 KARIPIDES, DAVID, US;
 ABBAS, MOHAMED, US;
 TSUI, DAVID, US
 (73) **Propriétaire/Owner:**
 GE AVIATION SYSTEMS LLC, US
 (74) **Agent:** CRAIG WILSON AND COMPANY

(54) **Titre : GENE-DEMARREUR DE MOTEUR D'AVION ET CONTROLEUR CORRESPONDANT**
 (54) **Title: AIRCRAFT ENGINE STARTER/GENERATOR AND CONTROLLER**



(57) **Abrégé/Abstract:**

An aircraft starting and generating system includes a starter/generator that includes a main machine, an exciter, and a permanent magnet generator. The system also includes an inverter/converter/controller that is connected to the starter/generator and that generates AC power to drive the starter/generator in a start mode for starting a prime mover of the aircraft, and that converts AC power, obtained from the starter/generator after the prime mover have been started, to DC power in a generate mode of the starter/generator. The exciter includes a stator and a rotor, and wherein the exciter rotor includes a three-phase AC winding.

(12) INTERNATIONAL APPLICATION PUBLISHED UNDER THE PATENT COOPERATION TREATY (PCT)

(19) World Intellectual Property Organization
International Bureau(43) International Publication Date
4 October 2007 (04.10.2007)

PCT

(10) International Publication Number
WO 2007/111970 A3

(51) International Patent Classification:

F02N 11/04 (2006.01) H02P 9/00 (2006.01)

(21) International Application Number:

PCT/US2007/007192

(22) International Filing Date: 23 March 2007 (23.03.2007)

(25) Filing Language: English

(26) Publication Language: English

(30) Priority Data:

60/785,363 24 March 2006 (24.03.2006) US
11/452,236 14 June 2006 (14.06.2006) US(71) Applicant (for all designated States except US): SMITHS
AEROSPACE LLC [US/US]; 3290 Patterson Avenue, SE,
Grand Rapids, MI 49512-1991 (US).

(72) Inventors; and

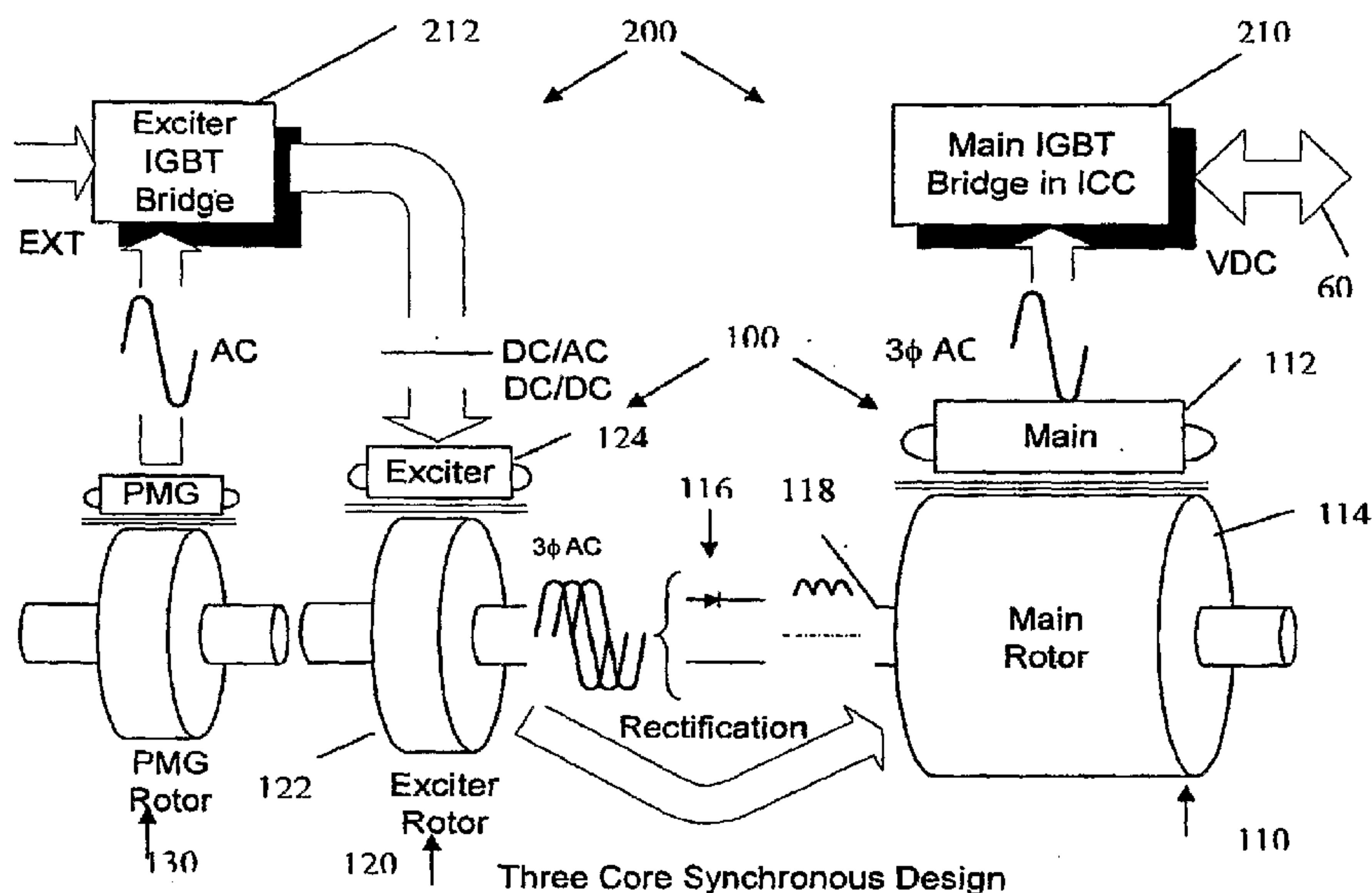
(75) Inventors/Applicants (for US only): HUANG, Hao
[US/US]; 358 Countryside Dr., N., Troy, OH 45373 (US).
KARIPIDES, David [US/US]; 195 N. Alcony Conover
Road, Casstown, OH 45312 (US). ABBAS, Mohamed
[US/US]; 1041 Millstone Road, Dayton, OH 45458 (US).
TSUI, David [US/US]; 7580 Harbor Lane, Centerville,
OH 45459 (US).(74) Agents: KAMINSKI, Michael, D. et al.; Foley & Lard-
ner LLP, 3000 K Street, N.W., Suite 500, Washington, DC
20007-5143 (US).(81) Designated States (unless otherwise indicated, for every
kind of national protection available): AE, AG, AL, AM,
AT, AU, AZ, BA, BB, BG, BH, BR, BW, BY, BZ, CA, CH,
CN, CO, CR, CU, CZ, DE, DK, DM, DZ, EC, EE, EG, ES,
FI, GB, GD, GE, GH, GM, GT, HN, HR, HU, ID, IL, IN,
IS, JP, KE, KG, KM, KN, KP, KR, KZ, LA, LC, LK, LR,
LS, LT, LU, LY, MA, MD, MG, MK, MN, MW, MX, MY,
MZ, NA, NG, NI, NO, NZ, OM, PG, PH, PL, PT, RO, RS,
RU, SC, SD, SE, SG, SK, SL, SM, SV, SY, TJ, TM, TN,
TR, TT, TZ, UA, UG, US, UZ, VC, VN, ZA, ZM, ZW.(84) Designated States (unless otherwise indicated, for every
kind of regional protection available): ARIPO (BW, GH,
GM, KE, LS, MW, MZ, NA, SD, SL, SZ, TZ, UG, ZM,
ZW), Eurasian (AM, AZ, BY, KG, KZ, MD, RU, TJ, TM),
European (AT, BE, BG, CH, CY, CZ, DE, DK, EE, ES, FI,
FR, GB, GR, HU, IE, IS, IT, LT, LU, LV, MC, MT, NL, PL,
PT, RO, SE, SI, SK, TR), OAPI (BF, BJ, CF, CG, CI, CM,
GA, GN, GQ, GW, ML, MR, NE, SN, TD, TG).

Published:

— with international search report

[Continued on next page]

(54) Title: AIRCRAFT ENGINE STARTER/GENERATOR AND CONTROLLER



(57) Abstract: An aircraft starting and generating system includes a starter/generator that includes a main machine, an exciter, and a permanent magnet generator. The system also includes an inverter/converter/controller that is connected to the starter/generator and that generates AC power to drive the starter/generator in a start mode for starting a prime mover of the aircraft, and that converts AC power, obtained from the starter/generator after the prime mover have been started, to DC power in a generate mode of the starter/generator. The exciter includes a stator and a rotor, and wherein the exciter rotor includes a three-phase AC winding.

WO 2007/111970 A3

WO 2007/111970 A3



— *before the expiration of the time limit for amending the claims and to be republished in the event of receipt of amendments*

(88) Date of publication of the international search report:
13 March 2008

AIRCRAFT ENGINE STARTER/GENERATOR AND CONTROLLER

FIELD OF THE INVENTION

[0001] The invention relates generally to a combination of a bidirectional energy conversion brushless electric rotating device that converts electrical energy to mechanical energy in start mode and mechanical energy to electrical energy in generate mode. In particular, the invention relates to a high power density aircraft engine starting and power generating system, that includes a three electric machine set, a Starter/Generator (S/G), and an IGBT based and digitally controlled device, referred to herein as an Inverter/Converter/Controller (ICC). Furthermore, the invention relates to elimination of the rotor-position sensor of a wound field synchronous machine based S/G, resulting in a sensorless-controlled S/G and ICC system.

DESCRIPTION OF THE RELATED ART

[0002] There currently exist starter generator systems for aircraft, which are used to both start an aircraft engine, and to utilize the aircraft engine after it has started in a generate mode, to thereby provide electrical energy to power systems on the aircraft. For example, U.S. Patent No. 4,743,777, issued to William Shilling et al., describes a starter generator system with two stator exciter windings, and which includes a variable voltage, variable frequency power converter that is alternately connected to drive an dynamoelectric machine as a starting motor or to receive power from the machine during generator operation. U.S. Patent No. 5,587,647, issued to Madan Bansal et al., describes a dual output, synchronous-induction starting/generating system. The Bansal system includes a synchronous generator and an

induction motor/generator mutually coupled to a shaft that is driven to an external prime mover, such as an aircraft engine. The Bansal system also includes a rectifier/inverter that allows bi-directional power flow to effectuate both power generation as well as electric start of the aircraft engine.

[0003] While the prior art systems described above are useful in starting an aircraft engine and in generating power from the aircraft engine once the engine has started, it is desirable to come up with a system that has at least one of a higher power density, a higher efficiency, and a higher dynamic performance, in either or both a start mode and a generate mode.

SUMMARY OF THE INVENTION

[0004] According to at least one aspect of the invention, there is an aircraft engine starter/generator system that includes a Starter/Generator (S/G), and an Inverter/Converter/Control (ICC), with higher power density, higher efficiency, and higher dynamic performance in both start mode and generate mode, as compared to the conventional systems in the field.

[0005] The S/G includes three electric machines: a main machine, an exciter, and a Permanent Magnet Generator (PMG). The ICC, which can be an IGBT based inverter/converter/controller and which is a digitally controlled, bidirectional electronic device, is connected to the input/output of the stator winding of the main machine of the S/G. The electronic device generates AC power to drive the S/G in start mode and converts the AC power to the DC power requested on the aircraft in generate mode.

[0006] A first embodiment includes at least two aspects of a S/G system that result in lighter weight and superior performance of the overall system. The first aspect is a dual functional exciter stator that contains a winding working conjunctionally with a contactor located in the ICC. During start mode, the winding is configured into an AC three phase winding by the

contactor, and during generate mode, the winding is configured into a single DC winding by the same contactor. Without adding any appreciable size and weight on the machine, the dual AD and DC functional winding satisfying the needs for start mode and generate mode respectively. The second aspect is the elimination of the conventional mechanical position sensor for commutation of the power electronic switches in both start mode and generator mode. This achieves noticeable size and weight reduction of the S/G.

[0007] A second embodiment is directed to the start mode of the S/G system, and includes five aspects that act to achieve better torque density of the S/G in start mode, as compared to the conventional approaches in the field. The first aspect is the three phase AC winding of the exciter stator configured and controlled in the braking mode of the induction machine. Realization of a zero speed sensorless approach corresponds to the second aspect related of this embodiment. The third aspect is an auto-field weakening mechanism developed to keep the inverter well within the Pulse Width Modulation (PWM) region and retain effective current regulations throughout the entire speed range in start mode. The fourth aspect is the combining of auto-field weakening with a near unity power factor control scheme, in order to accomplish higher power density at high speed while the inverter voltage is saturated. The fifth aspect is a vector control scheme in conjunction with a negative d-axis current profile that oppositely aligns to the field current of the main machine to generate maximum reluctance torque to overcome the torque limitation caused by the magnetic saturation. The approach increases the torque density of the S/G as compared to conventional systems.

[0008] A third embodiment is directed to the generate mode of the S/G system, and includes four aspects. The first aspect is related to the inactive and active rectification configurability. Controlled by the exciter converter digital control assembly 240 and the main converter digital control assembly 230, the main IGBT/Diode Bridge can become an inactive rectifier or an active rectifier, depending upon the application. The second aspect is directed to a

control of the IGBT converter that combines auto-field modification and over-modulation to achieve optimum efficiency of the IGBT generate mode operation. The third aspect is the providing of an IGBT commutation approach during generate mode. The IGBTs' commutation is based on a voltage mode sensorless, which is a similar sensorless approach used in start mode. The fourth aspect is directed to accomplishing regeneration in absorbing excessive energy on the DC bus into the machine while regulating the bus voltage simultaneously.

BRIEF DESCRIPTION OF THE DRAWINGS

[0009] The foregoing advantages and features of the invention will become apparent upon reference to the following detailed description and the accompanying drawings, of which:

[0010] Figure 1 is an illustrative diagram of the overall S/G and ICC engine starting and power generating system of the invention;

[0011] Figure 2 is a block diagram of the overall S/G and ICC engine starting and power generating system of the invention;

[0012] Figure 3 is a block diagram of the S/G and ICC of the invention in start mode.

[0013] Figure 4 is a block diagram of the S/G and ICC of the invention in generate mode.

[0014] Figure 5 is a section view of the S/G of the invention.

[0015] Figures 6A and 6B are isometric views of a housing for the ICC of the invention.

[0016] Figure 7 is a plot of the main rotor angle estimated by the high frequency injection sensorless method.

[0017] Figure 8 is a vector diagram presenting the relationships of the vectors, of the main machine, which are controlled by the exciter and main digital control assemblies in both generate and regenerate modes.

DETAILED DESCRIPTION OF SPECIFIC EMBODIMENTS

[0018] The present invention will be described in detail below, with reference to the accompanying drawings. The present invention relates to a bidirectional energy conversion, brushless, electric rotating device that converts electrical energy to mechanical energy in start mode and mechanical energy to electrical energy in generate mode.

[0019] The first embodiment of the present invention will be described next, with respect to overall construction of the S/G and ICC engine starting and power generating system. The first embodiment includes at least two aspects, to be described in detail below.

[0020] The S/G and ICC engine starting and power generating system 50 of the first embodiment includes an S/G 100 and an ICC 200. As illustrated in Figure 1, Figure 2 and Figure 5, the S/G 100 is a combination of three electric machines, which are a main machine 110, an exciter 120, and a PMG 130. This arrangement is called a three-machine set. The main machine 110 may be a salient synchronous machine in one possible implementation of the first embodiment. The stator 112 of the main machine 110 connects to the main IGBT/Diode Bridge 210 of the ICC 200. The rotor 114 of the main machine 110 connects to the output of a full wave or half wave-rotating rectifier 116 located inside the shaft 118 of the main rotor 114. The exciter rotor 122 has a three-phase winding that connects to the input of the rotating rectifier 116, and the exciter stator 124 includes a DC winding and a three-phase AC winding that connects to an exciter IGBT/Diode bridge 212 of the ICC 200 through a contactor 220 that is shown in Figure 2, whereby Figure 2 provides a block diagram of the S/G and ICC system 50, with emphasis on the components making up the main IGBT/Diode bridge 210 and the exciter IGBT/Diode bridge 212.

[0021] The ICC 200 shown in Figure 2 includes two IGBT/Diode bridges: the main bridge 210 and the exciter bridge 212. The main bridge 210 and the exciter bridge 212 are also referred to as a main inverter/converter and an exciter inverter/converter, respectively. Each

is controlled by a digital control assembly. The assembly that controls the main IGBT/Diode Bridge 210 is called the main digital control assembly 230. Alternatively, it is also called the starter inverter digital control assembly in start mode and it is called the generator converter control assembly in generate mode. The assembly that controls the exciter IGBT/Diode Bridge 212 is called the exciter digital control assembly 240. Alternatively, it is also called the exciter inverter digital control assembly in start mode and the exciter converter digital control assembly in generate mode. The main digital control assembly 230, along with its embedded software, controls the main bridge 210 that generates AC power to drive the S/G in start mode and converts the AC power to the power of the DC power requested on the aircraft in generate mode. This highly integrated approach results in a lightweight, simple and reliable system, as compared to conventional S/G systems.

[0022] Figures 6A and 6B are detailed isometric views of the ICC 200 of the first embodiment, as it may be packaged in a housing 600 that can be fitted onto a cabinet within an aircraft. Within the housing 600 is a cold plate 610 (for heat dissipation and/or removal), the main IGBT/diode bridge 210, the exciter IGBT/diode bridge 212, the main and exciter digital control assemblies 230, 240, a filter cap assembly 620, sense assemblies 630, and a 270 VDC output terminal block 640 (provided on an outer surface of the housing 600, so as to provide 270 VDC power to other components within the aircraft).

[0023] The S/G and ICC engine starting and power generating system 50 has two operating modes: start mode and generate mode. In start mode, the S/G and ICC system 50 is powered from a separate power source, VDC 60, whereby the connection to the separate power source VDC 60 is shown in Figure 1 and Figure 2. The main machine 110 works as a three-phase wound field salient synchronous motor in start mode. Two things have to happen in order to produce torque at the shaft of the synchronous motor. The first is to input three-phase alternating currents to the three-phase winding of the main stator 112, and the second is to

provide excitation current to the main rotor 114. The frequency of the currents to the main stator 112 is provided so as to be proportional to the speed of the main machine. The three phase alternating currents are provided by the main IGBT/Diode Bridge 210. The rotating field generated by the three-phase current interacts with the magnetic field generated by the main rotor 114, thus creating the mechanical torque at the shaft of the main rotor 114.

[0024] Providing an excitation current to the main rotor 114 is a challenge in conventional generating systems because of the following. At the beginning of starting, any synchronous machine based exciter generates no power. At low speed, the synchronous machine based exciter cannot generate sufficient power to power the main rotor. This is because for any synchronous based exciter, its DC excitation winding does not transfer power to the rotor winding. In fact, for conventional generating systems, the power can only be transferred from mechanical energy on the shaft. Therefore, in order to start the engine, the power that generates the main rotor excitation current must come from the exciter stator 124. In other words, the energy for the excitation during start mode crosses the air gap of the exciter 120. Obviously, a rotating transformer is desired. Conversely, in generate mode, the main machine 110 works as a three-phase wound field salient synchronous generator. To produce electricity, one thing happens, i.e., to provide excitation current to the main rotor 114. A conventional synchronous exciter can be utilized for that purpose. The different modes require different power sources for excitation. One mode needs AC three-phase currents in the exciter stator 124, and the other needs DC current in the exciter stator 124.

[0025] The first aspect of the first embodiment is a solution to the above-mentioned issue. The solution is a dual functional exciter stator working conjunctionally with the contactor 220 located in the ICC. By switching the contactor to its appropriate position, the winding in the exciter stator is configured into an AC three phase winding during start mode. In this mode, the exciter stator 124 with the AC three phase winding and the exciter rotor 122 with

another AC three phase form an induction exciter. Controlled by the exciter digital control assembly 240 in the ICC, the direction of the phase sequence of the AC three phase winding is opposite from the direction of the machine shaft. Thus, the induction exciter operates in its braking mode. In generate mode, the winding in the exciter stator 124 is configured into a DC winding. The exciter stator 124 with the DC winding and the exciter rotor 122 with the AC three-phase winding form a synchronous exciter. Without adding any size and/or weight to the exciter, the configured AC and DC windings generate the necessary rotating field in the air gap between the exciter rotor 122 and exciter stator 124 during start mode and generate mode respectively. Additionally, the AC winding transfers the power from the exciter stator 124 to the exciter rotor 122 during start mode.

[0026] In both start mode and generate mode, whenever IGBTs 215 of the main IGBT/Diode bridge 210 commute, the mechanical position information of the main rotor 114 becomes needed for the power switch commutation. Conventionally, a mechanical position sensor provides the position information. This sensor has sufficient position accuracy, mechanical integrity and thermal capability to deal with the severe environment on the aircraft. Both the optical encoder and the hall sensor cannot meet the environmental requirements of an aircraft. A resolver does meet these requirements. However, a resolver sensor, along with its mechanical supporting and packaging structure, adds considerable weight and size to the system.

[0027] The second aspect of the first embodiment of the present invention is directed to elimination of the mechanical position sensor. As shown in Figure 2 and detailed in Figures 3 and 4, a sensorless rotor position signal θ , ω_e (rotor position, rotor speed) is generated by the main digital control assembly 230. The rotor position signal is constructed through voltage and current signals of the S/G by the embedded software in the main digital control assembly 230. Since the sensorless approach for generate mode is a subset of start mode, the

detailed description will be provided in the first embodiment related to start mode in a later portion of this application.

[0028] The second embodiment of the present invention will be described next, which corresponds to the S/G and ICC system 50 operating in start mode. There are five aspects in the second embodiment, to be described in detail below.

[0029] Figure 3 presents a block diagram of the S/G and ICC system 50 in start mode. There are three electric machines – the main synchronous motor 110, the induction exciter 120, and the PMG 130. The main synchronous motor 110 and the induction exciter 120 play an important role in start mode. The main IGBT/Diode Bridge 210 receives DC input power from a DC bus (for example, 270 Vdc), and inverts the DC power to AC power. The three-phase AC currents generated by the inverter feed into the main synchronous motor 110. The gating signals to generate the AC currents are controlled by the starter inverter digital control assembly 230. The starter inverter digital control assembly 230 measures Phase a current, Phase b current, and DC bus voltage. The Phase a and b currents are transferred to α and β currents in the synchronous stationary frame by using a Clarke transformation realized through the embedded software in the main digital control assembly 230. The α axis coincides with the a axis that is located at the center of the Phase a winding of the main stator, while the β axis is 90 electrical degrees ahead of α axis in space. The α and β currents are further transferred to d and q currents in the synchronous rotational frame by using a Park transformation realized through the same embedded software. The d axis is aligned with the axis of the excitation winding of the main rotor 114, while the q axis is 90 electrical degrees ahead of the d axis in space.

[0030] As shown in Figure 3, there are two current regulation loops – d and q loops. The outputs of the d and q loops are d and q voltages that are transferred back to α and β voltages by using an Inverse-Park transformation before fed into the Space Vector Pulse Width

Modulation (SVPWM). In order to perform Park and Inverse-Park transformations, the main rotor position angle are determined. The α and β voltages are the inputs to the SVPWM which generates the gating signals for the IGBT switches. The switching frequency can be set at 14 kHz, or to some other appropriate frequency.

[0031] As shown in Figure 3, similar to the starter inverter digital control assembly 230, the exciter inverter digital control assembly 240 also has Clarke, Park, and Inverse-Park transformations. Also, the exciter inverter digital control assembly 240 has d and q current regulation loops. The gating signals are generated by its corresponding SVPWM. Because, as mentioned previously, the fundamental frequency of the exciter IGBT/Diode bridge 212, or the exciter inverter, is fixed at 1250 Hz or at some other appropriate frequency, and the exciter 120 has no saliency on its rotor 122 and stator 124, the rotor position information can be artificially constructed by using formula $2\pi ft$, where $f = 1250$ Hz and t is time. This is different from the main inverter, i.e., the real time rotor position information is not needed in this case. The SVPWM switching frequency of the exciter inverter is 10 kHz in one possible implementation, whereby other appropriately chosen switching frequencies may be utilized, while remaining within the spirit and scope of the invention.

[0032] The first aspect of the second embodiment is the induction exciter. In start mode, the exciter 120 is configured as an induction machine operating in its braking mode, or alternatively described, the exciter 120 acts like a three-phase rotating transformer. The three-phase winding of the exciter stator 124 generates a rotating field that induces three-phase voltages in the exciter rotor 122. The direction of the rotating field is controlled opposite from the rotating direction of the main machine 110. Thus, the frequency of the voltage in the exciter rotor 122 increases along with the rotor speed during start mode. The DC power from an external power source is converted to three-phase 1250 Hz power (or to some other appropriate frequency) by the exciter IGBT/Diode Bridge 212. The power

crosses the air gap and is transferred to the winding of the exciter rotor 122. The three-phase voltages are then rectified by the rotating rectifiers 116 inside of the rotor shaft of the main generator. The rectified voltage supplies the excitation power to the rotor 114 of the main machine 110. Once the rotor speed reaches the engine idle speed, start mode terminates and generate mode begins. The exciter rotor 122 receives energy from both the exciter stator 124 and the rotor shaft 118. At zero speed, all the energy comes from the exciter stator 124. The energy from the shaft 118 increases along with the increase of the rotor speed.

[0033] The second aspect of the second embodiment is a sensorless implementation for constructing the main rotor position information by the digital control assembly 230 along with its embedded software. This sensorless implementation includes two parts: a) high frequency injection sensorless estimation, and b) voltage mode sensorless estimation. The high frequency injection sensorless estimation covers from 0 rpm to a predefined low speed, such as 80 rpm. The voltage mode sensorless estimation covers from the speed, such as 80 rpm, to a high rotational speed, such as 14,400 rpm, where the engine is pulled to its cut-off speed. Most other sensorless methods, including the voltage mode sensorless mentioned above, fail at zero and low speed because these methods fundamentally depend on back-EMF. The high frequency injection method does not depend upon the back-EMF. Therefore, the method is feasible to use for the speed from 0 to a predefined low speed, such as 80 rpm. Accordingly, there is achieved rotor position estimation at 0 rpm and at low speed of the main synchronous machine. The actual realization of the sensorless is described below.

[0034] As shown in Figure 3, while the speed of the main machine 110 is below 80 rpm or the frequency of the main machine 110, $f_0 \leq 8$ Hz, a pair of 500 Hz sine waveform voltages $V_{\alpha i}$, $V_{\beta i}$ are superimposed on the inputs of the SVPWM. This 500 Hz frequency is called the carrier frequency. Other appropriate carrier frequencies may be utilized while remaining within the spirit and scope of the invention. In Figure 3, this carrier frequency is represented

by symbol ω_c . The response of the current in each phase to these two superimposed voltages contains the rotor position information.

[0035] Each phase current of the main stator has several components. As shown in Figure 3, the Phase a and b currents are transferred to α and β axes through Clarke transformation. The α and β currents contain the fundamental component with frequency of ω_r , the positive sequence component with frequency of ω_c , the negative sequence component with frequency of $2\omega_r - \omega_c$. The positive sequence component, ω_c is useless because it does not contain any rotor position information. Accordingly, this component is removed completely. As illustrated in Figure 3, the α and β currents are rotated by $-\omega_c t$ degrees. Thus, the positive sequence component becomes a DC signal, which is then eliminated by using a 2nd order high pass filter, or some other type of high pass filter (e.g., 1st order, or 3rd order or higher). The remaining components, the fundamental frequency component and negative sequence component, contain the rotor information. However, the rotor position is determined before applying the fundamental current to the machine at zero speed and also, at zero and low speed the fundamental component is very weak. The only component that can reliably extract the rotor position information is the negative sequence component. After the previous rotation, the frequency of the component is changed to $2\omega_r - 2\omega_c$. Another rotation, $2\omega_c t$, is then performed by the digital control assembly 230. The output of the rotation goes through a 6th order low pass filter, or to some other appropriate low pass filter (e.g., 1st, 2nd, . . . or 5th order low pass filter). Using $i_{\beta 2\theta}$ to represent the remaining signal of the β current and $i_{\alpha 2\theta}$ to represent the remaining signal of the α current, one obtains the following angle:

$$\theta' = 0.5 \tan^{-1} \left(\frac{i_{\beta 2\theta}}{i_{\alpha 2\theta}} \right).$$

Unfortunately, the frequency of the above angle has two times frequency of the fundamental frequency, and thus it cannot be directly used to the Park and Inverse-Park transformations.

To convert the above angle to the rotor position angle, it is detected whether θ' is under a north pole to south pole region or under a south pole to north pole region. If the θ' is under the north pole to south pole region, the angle is

$$\theta = \theta',$$

and if the θ' is under the south pole to north pole region, the angle is

$$\theta = \theta' + \pi.$$

This angle, as shown in Figure 7, is then utilized in the Park and Inverse-Park transformations in the d and q current regulation loops. As shown in Figure 3, a band-stop filter (500 Hz filter as shown in Figure 3, whereby other stop band frequencies may be utilized while remaining within the spirit and scope of the invention) is placed between Clarke and Park transformations to eliminate the disturbances of the carrier frequency on the d and q current regulation loops.

[0036] This high frequency injection sensorless method works satisfactorily at zero or low speed. However, the method will not work as well with the speed with which the frequency is close to or higher than the carrier frequency. Accordingly, another sensorless method is utilized when the speed goes above a certain threshold rotational speed, such as 80 rpm. This method is the voltage mode sensorless method, as described below.

[0037] The realization of the voltage mode sensorless is accomplished by the following. Although the method has been used in an induction motor and a PM motor, it has not been applied to a salient synchronous machine because the stator self-inductances are not constants, and instead, the inductances are functions of the rotor position. The conventional α and β flux linkage equations in the synchronous stationary frame, which are used to generate the rotor angle by arctangent of the β flux linkage over the α axis flux linkage, are not practical to be used for a salient wound field synchronous machine because the

inductances change all the time. To overcome this problem, in the second embodiment, a pair of artificial flux linkages λ'_α and λ'_β as well as their expressions, are derived:

$$\begin{cases} \lambda'_\alpha = \int e'_\alpha dt = \int (v_\alpha - R_s i_\alpha) dt - L_q i_\alpha \\ \lambda'_\beta = \int e'_\beta dt = \int (v_\beta - R_s i_\beta) dt - L_q i_\beta, \end{cases}$$

where R_s and L_q are the main stator resistance and q axis synchronous inductance respectively. Both of the machine parameters are constant. Fortunately, λ'_α and λ'_β align with the α and β flux linkages, respectively, and the angle

$$\theta = \tan^{-1} \left(\frac{\lambda'_\beta}{\lambda'_\alpha} \right)$$

is actually the rotor angle that can be used for Park and Inverse-Park transformations once the machine speed is above the threshold rotational speed, such as above 80 rpm. The equations can be implemented in the embedded software of the digital control assembly 230. This approach provides for reliable rotor position angle estimation while the machine speed is above a certain rotational speed, e.g., above 80 rpm.

[0038] According to the second aspect of the second embodiment, the combination of two separate methods, the high frequency inject sensorless method and the voltage mode sensorless method, provides the rotor position information with sufficient accuracy throughout the entire speed range of the synchronous machine based starter.

[0039] The third aspect of the second embodiment is directed to the voltage saturation problem of the main inverter that is appropriately dealt with. During starting, the voltage applied by the main inverter on the main machine 110 is proportional to the speed and matches the vector summation of the back-EMF and the voltage drops on the internal impedances of the main machine 110. The maximum applicable voltage by the inverter is the

DC bus voltage. Once the vector summation is equal to the DC bus voltage, the inverter voltage is saturated. Once the saturation occurs, the speed of the main machine 110 cannot go any higher, and the d and q current regulation loops will be out of control. Often, the inverter will be over-current and shut off. The solution provided in the second embodiment is to use an auto-field weakening approach. The main digital control assembly 230 measures the line-to-line voltages, V_{ab} and V_{bc} that are sent to the exciter digital control assembly 240. A Clarke transformation is applied to these two line-to-line voltages. The vector summation of the two outputs of the transformation is used as the feedback of the auto-field weakening loop, as shown in Figure 3. The DC bus voltage is factored and used as the reference for the control loop. The auto-field weakening control loop prevents the inverter voltage from the saturation, and, thus, prevents the main inverter current regulation loops from going out of control and shutting off.

[0040] The fourth aspect of the second embodiment is the combining of auto-field weakening with a near unity power factor control scheme to accomplish higher power density at high speed while the inverter voltage is saturated. By way of example and not by way of limitation, near unity corresponds to a power factor greater than or equal to 0.9 and less than 1.0. While the auto-field weakening maintains the air gap field, there is applied a predetermined d-axis current profile that pushes the main machine 110 to operate in a near unity power factor region. As can be seen in the following equation, because the auto-field weakening, besides the term $\omega L_{md}(i_f+i_d)$ remains consistently significant, and term $\omega L_{mq}i_d i_q$ becomes significant too. This significantly increases the power density of the S/G:

$$P = \omega L_{md} (i_f + i_d) i_q - \omega L_{mq} i_d i_q,$$

where P and ω are electromechanical power and rotor speed respectively, and L_{md} and L_{mq} are d and q magnetizing inductances, respectively.

[0041] The fifth aspect of the second embodiment is directed to increasing of the torque density at the speed below the base speed. As mentioned previously, in the second embodiment, there are two current regulation loops in the main inverter digital control assembly 230. One is the d axis loop and the other is the q axis loop. In general, the q loop controls the torque generation and the d loop controls the field in the air gap. This approach is also called a vector control approach. In order to achieve high torque density, the machine-to-magnetic saturation region is driven into by applying sufficient rotor excitation current i_f and the torque generation current i_q . However, after the currents reach certain levels, no matter how the magnitudes of the currents i_q , i_d , and i_f are increased, the torque remains the same because the machine is magnetically saturated. The remedy is to utilize the vector control set up of the present invention to maximize the reluctance torque of the machine. The electromechanical torque generated by the machine is:

$$T = L_{md}(i_f + i_d)i_q - L_{mq}i_d i_q,$$

where L_{md} and L_{mq} are d and q magnetizing inductances respectively. Once the machine is magnetically saturated, the term, $L_{md}(i_f+i_d)$ becomes a constant. Therefore, the way to generate a reluctance torque is to apply negative i_d to the machine. Knowing $i_d=I_s \sin \delta$ and $I_q=I_s \cos \delta$, performing an optimization to the above equation, one arrives an optimum profile of the id current:

$$i_d = \frac{\frac{\lambda_i}{L_{mq}} - \sqrt{\left(\frac{\lambda_i}{L_{mq}}\right)^2 + 4i_q^2}}{2},$$

where λ_i is the internal flux linkage of the machine.

An approximate 38% torque increase can achieve by applying the i_d profile at the input of the vector control, based on simulations performed by the inventors. In summary, with the

vector control set and appropriate i_a current profile obtained, the torque density of the machine increases dramatically.

[0042] The third embodiment of the invention is described below. It is related to configuration and control of the ICC to achieve maximum efficiency of power generation, and thus is applicable to the generate mode of the S/G and ICC system 50.

[0043] In generate mode, as shown in Figure 2, the main machine 110 becomes a synchronous generator and exciter 120 becomes a synchronous generator. The PMG 130 provides power to the exciter converter through a rectifier bridge as shown. The exciter converter includes two active IGBT/Diode switches in exciter IGBT/Diode bridge 212, as illustrated in Figure 4. The IGBT/Diode switches with solid lines at their gates are the ones used for the exciter converter. These are IGBT switch number 1 and IGBT switch number 4. During generate mode, IGBT 1 is in PWM mode and IGBT 4 is on all the time. The rest of the other IGBTs are off. Number 2 diode is used for free wheeling. IGBT 1, IGBT 4 and Diode 2 plus the exciter stator winding, form a buck converter that steps down the DC bus voltage, for example, 270 Vdc, to the voltage generating the desired excitation current of the synchronous exciter.

[0044] The first aspect is related to inactive and active rectification configurability. Controlled by the exciter converter digital control assembly 240 and the main converter digital control assembly 230, the main IGBT/Diode Bridge can become an inactive rectifier or an active rectifier, depending upon the application. For an application where the power flow has only a single direction, the IGBT/Diode Bridge is configured into a diode operational bridge by the main converter digital control assembly 230. For an application where the power flow has bi-directions, the IGBT/Diode Bridge is configured into an IGBT and diode operational bridge by the same digital control assembly. When the power flow direction is from the ICC to the load, the S/G and ICC system is in generate mode. When the

power flow direction is from the load to the ICC, the system is in so called regeneration mode, which is actually a motoring mode. In the inactive rectification, only the intrinsic diodes in the IGBT switches of the main inverter, also called main IGBT/Diode Bridge, are utilized. The voltage regulation is accomplished by the embedded software in the exciter digital control assembly 240, and the generator converter digital control assembly 230 keeps the IGBTs in the main inverter off, as illustrated in Figure 4. There are three control loops controlling the voltage of POR. The most inner one is the current regulator. The measured excitation current is the feedback, and the output of the AC voltage regulator is the reference. The current regulator controls the excitation current at the commanded level. The next loop is the AC voltage loop. As shown in Figure 4, the feedback signal is $\max\{|V_{ab}|, |V_{bc}|, |V_{ca}|\}$. The reference is the output of the DC voltage regulator. The AC voltage loop plays an important role in keeping the DC voltage of the point-of-regulation (POR) in a desired range during load-off transients. The last control loop is the DC voltage loop. The measured voltage at the POR is compared with the reference voltage, 270 Vdc. The error goes into the compensation regulator in the corresponding digital controller. Thus, the DC voltage of the POR is regulated.

[0045] As mentioned previously, for the power generation application where the regeneration is required, the main IGBT/Diode Bridge will be configured into an active rectifier. In such a configuration, the voltage regulation is realized through the following. As illustrated in Figure 4, both the embedded codes in the exciter digital control assembly and in the main digital control assembly are structured differently from those of the inactive rectification. Regarding the control on the exciter side, the excitation current loop becomes a PI control loop only. The reference of the control loop is generated through a look up table that is a function of the DC load current. The table is generated in such a way the current in the main stator approach to its minimum possible value. The control on the main side outer control

loop is the DC voltage loop. The reference is 270 VDC; the feedback signal is the POR voltage. As shown in Figure 4, the control loop is a PI controller with a feedforward of the DC output power added to the output of the PI controller. The DC output power is equal to the product of the DC output current and the POR voltage. The sum of the feedforward signal and the output of the PI controller is a power command that is utilized as the reference for the inner control loop, which is also a PI controller. The feedback signal is the power computed by using the voltages and currents of the generator as shown in Figure 4. The output of the inner control loop is the voltage angle θ_v which is defined in Figure 8 and is utilized to generate the SVPWM vectors V_d^* and V_q^* . The two vectors are the input of the Park inverse transformation. The output of the transformation is the input of the SVPWM as shown in Figure 4.

[0046] The second aspect of the third embodiment is related to control of the IGBT converter that combines auto-field modification and over-modulation to achieve optimum efficiency of the IGBT generate mode operation.

[0047] As presented in Figure 4, V_d^* and V_q^* are calculated through the following equations:

$$V_d^* = |V^*| \sin \theta_v$$

$$V_q^* = |V^*| \cos \theta_v$$

where $|V^*| = V_{mag}$.

To optimize the efficiency, first, V_{mag} is chosen to be 1 pu, thus forcing the converter into the full over-modulation region and completely dropping the IGBT switching caused by SVPWM. This minimizes the IGBT switching losses. The IGBT acts like phase shifting switching.

Because V_{mag} is constant, the power loop regulates the power by adjusting the angle θ_v .

When the load is zero, θ_v approaches to zero, and when the load increases, θ_v increases as shown in Figure 8.

[0048] The second factor of achieving the optimized efficiency is to optimize the exciter field current so i_d current is minimized. Thus, the conduction losses of the IGBTs and copper losses of the generator are minimized. It is found that the exciter field current is directly related to the DC load current. The higher DC load current is, the higher exciter field current is required. For the purpose of achieving of minimum exciter field current, a look up table is generated through measurement. The input of the look up table is the DC load current, and the output of look up table is the command of the exciter field current of the exciter stator. The table is generated in such a way that for each a DC load current point, an optimal exciter field current is found when i_d current is at its minimum. Such a control method not only achieves the optimal efficiency of the S/G and ICC system, but also provides an effective approach such that the operational point can easily swing from generate mode to regenerate mode, i.e., motoring mode. Thus, sending back the excessive energy on the DC bus to the generator in a fastest manner is accomplished. The third aspect of the third embodiment is directed to providing an IGBT commutation approach during generate mode. The IGBTs' commutation is based on a sensorless voltage mode, which is a similar sensorless approach used in start mode. However, because the operating mode changes between diode only mode and IGBT mode, the rotor position angle is determined before going into the IGBT mode. V_α and V_β are obtained directly from the line-to-line voltage measurement instead of from the SVPWM commands.

[0049] The fourth aspect of the third embodiment is related to accomplishing regeneration in absorbing excessive energy on the DC bus into the machine while regulating the bus voltage simultaneously. During generate mode, there can be excessive energy created by the load.

Such excessive energy raises the DC bus voltage. This energy can be absorbed by the machine through the regeneration approach provided by the over-modulation SVPWM of this invention. During this situation, as illustrated in Figure 8, the main inverter digital control reverses the direction of the voltage angle θ_v , and forces the main IGBT/Diode Bridge into motoring mode. Thus, the direction of the power flow will be reversed. The power will flow from the load into the machine. The over-modulation keeps the IGBTs from switching, thus, minimizes the switching losses. This aspect of the invention provides a fast way to swing the main IGBT/Diode Bridge from generate mode to regenerate mode, and vice versa.

[0050] Thus, embodiments of the present invention have been described in detail. Other embodiments of the invention will be apparent to those skilled in the art from consideration of the specification and practice of the invention disclosed herein. It is intended that the specification and examples be considered as exemplary only.

228731

22

WHAT IS CLAIMED IS:

1. An aircraft starting and generating system, comprising:
 - a starter/generator that includes a main machine, an exciter, and a permanent magnet generator; and
 - an inverter/converter/controller (ICC) that is connected to the starter/generator and that generates AC power to drive the starter/generator in a start mode for starting a prime mover of the aircraft, and that converts AC power, obtained from the starter/generator after the prime mover have been started, to DC power in a generate mode of the starter/generator, the ICC including a contactor,wherein the exciter includes a stator and a rotor, and wherein the exciter stator includes a winding that is configured to work conjunctionally with the contactor to function as an AC winding during the start mode, and that is configured to work conjunctionally with the contactor as a DC winding during the generate mode.
2. The aircraft starting and generating system according to claim 1, wherein the inverter/converter/controller comprises:
 - a main insulated-gate bipolar transistor (IGBT) bridge that is connected to a main stator of the main machine; and
 - an exciter insulated-gate bipolar transistor (IGBT) Bridge that is connected to an exciter stator of the exciter.
3. The aircraft starting and generating system according to claim 1, wherein the starter/generator further comprises:
 - a full wave or half-wave rectifier,
 - wherein the exciter includes an exciter rotor and an exciter stator, and
 - wherein the full wave or half wave rectifier is provided on a shaft of the exciter rotor, and rotates with rotation of the exciter shaft.
4. The aircraft starting and generating system according to claim 2, wherein the contactor provides connection of the exciter insulated-gate bipolar transistor (IGBT) bridge with the exciter stator during the start mode.

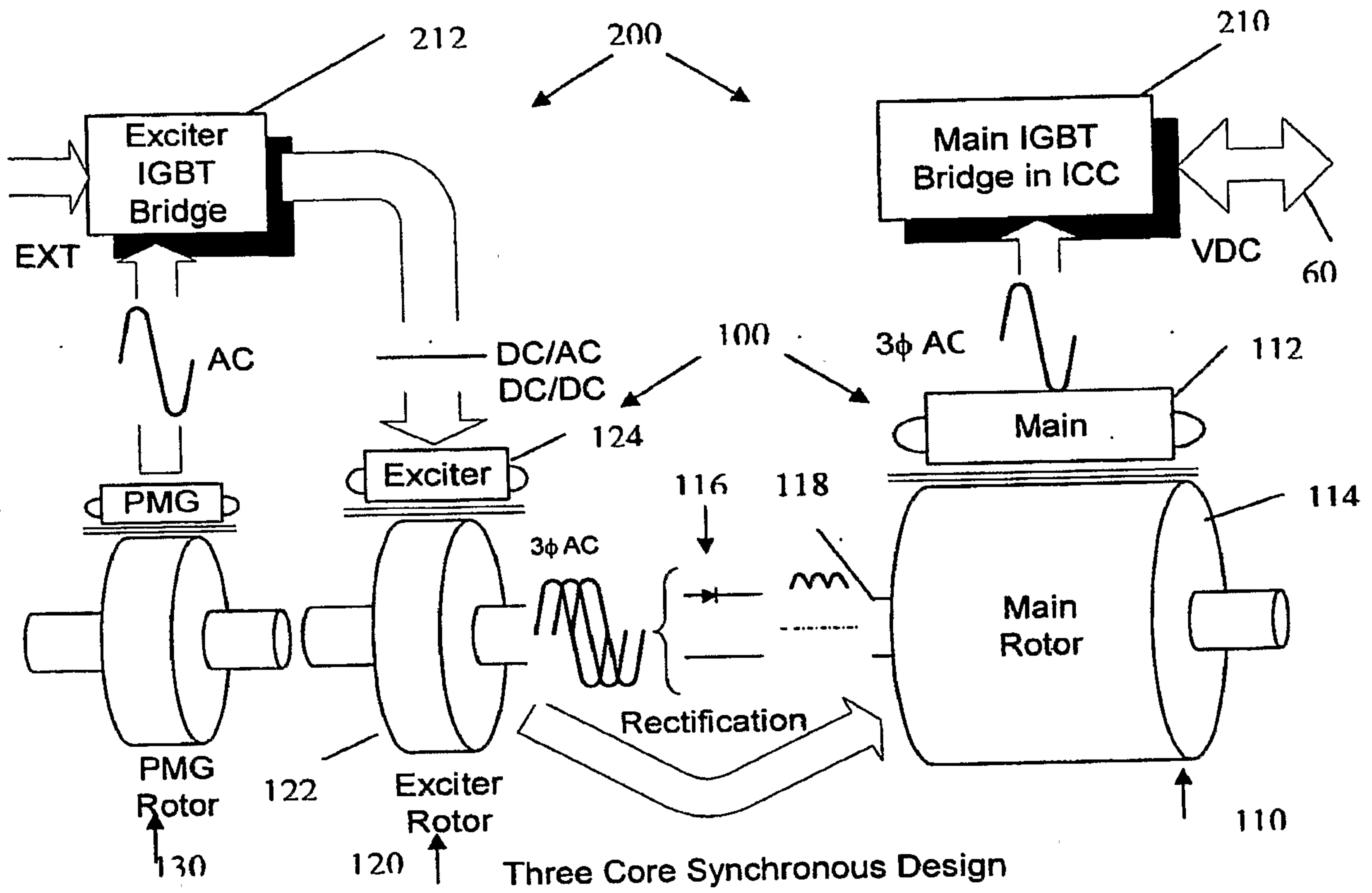


Figure 1.

2 / 8

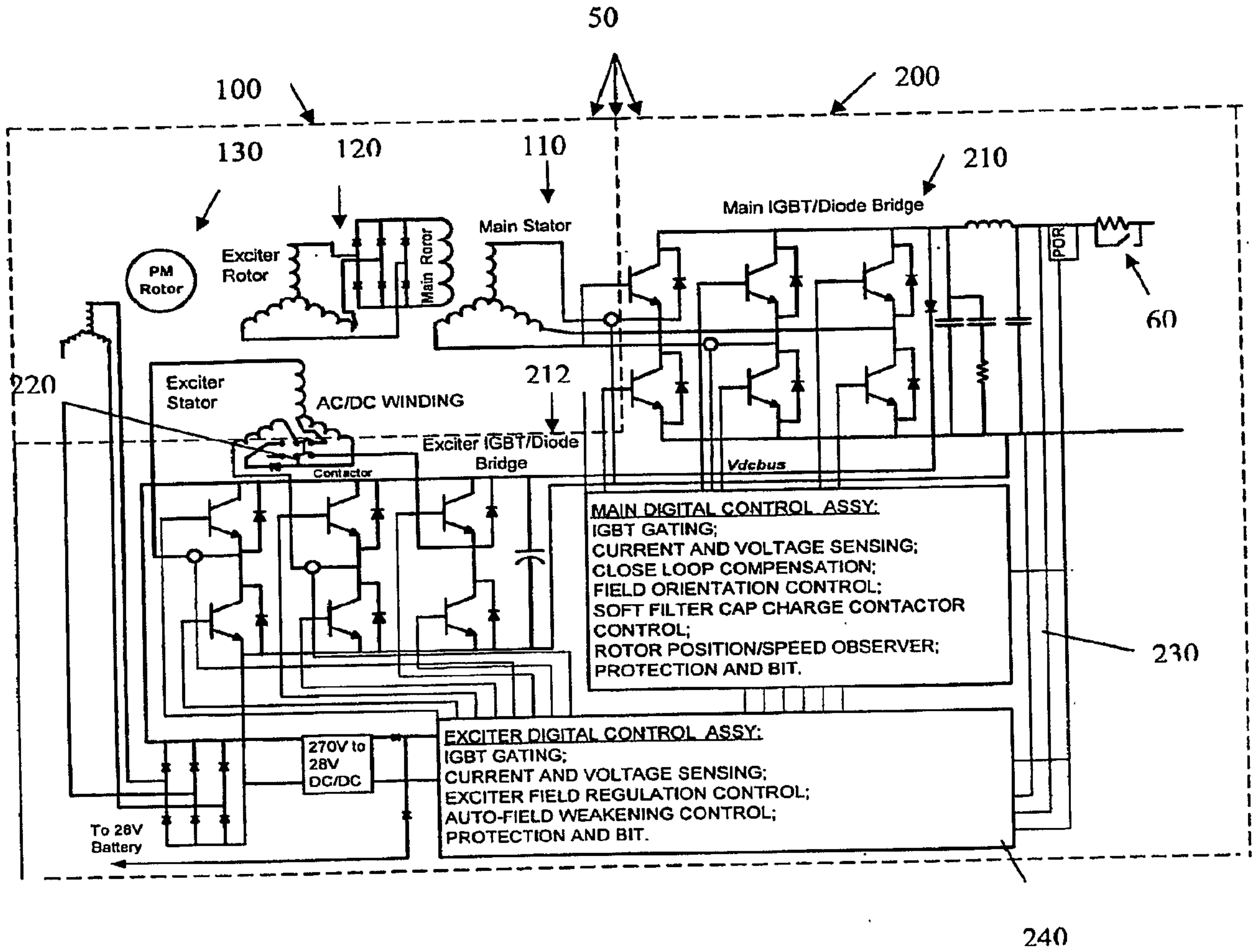


Figure 2.

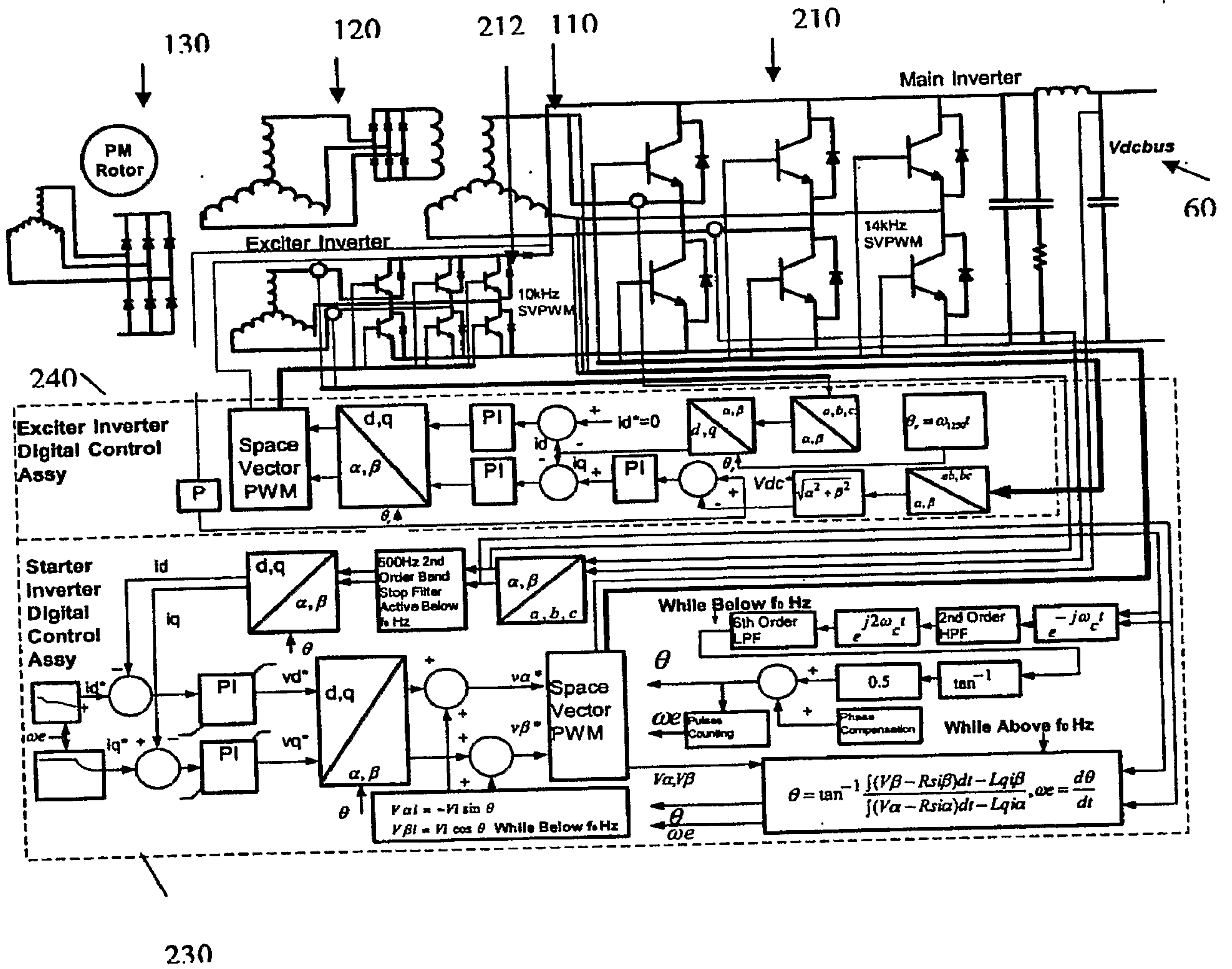


Figure 3.

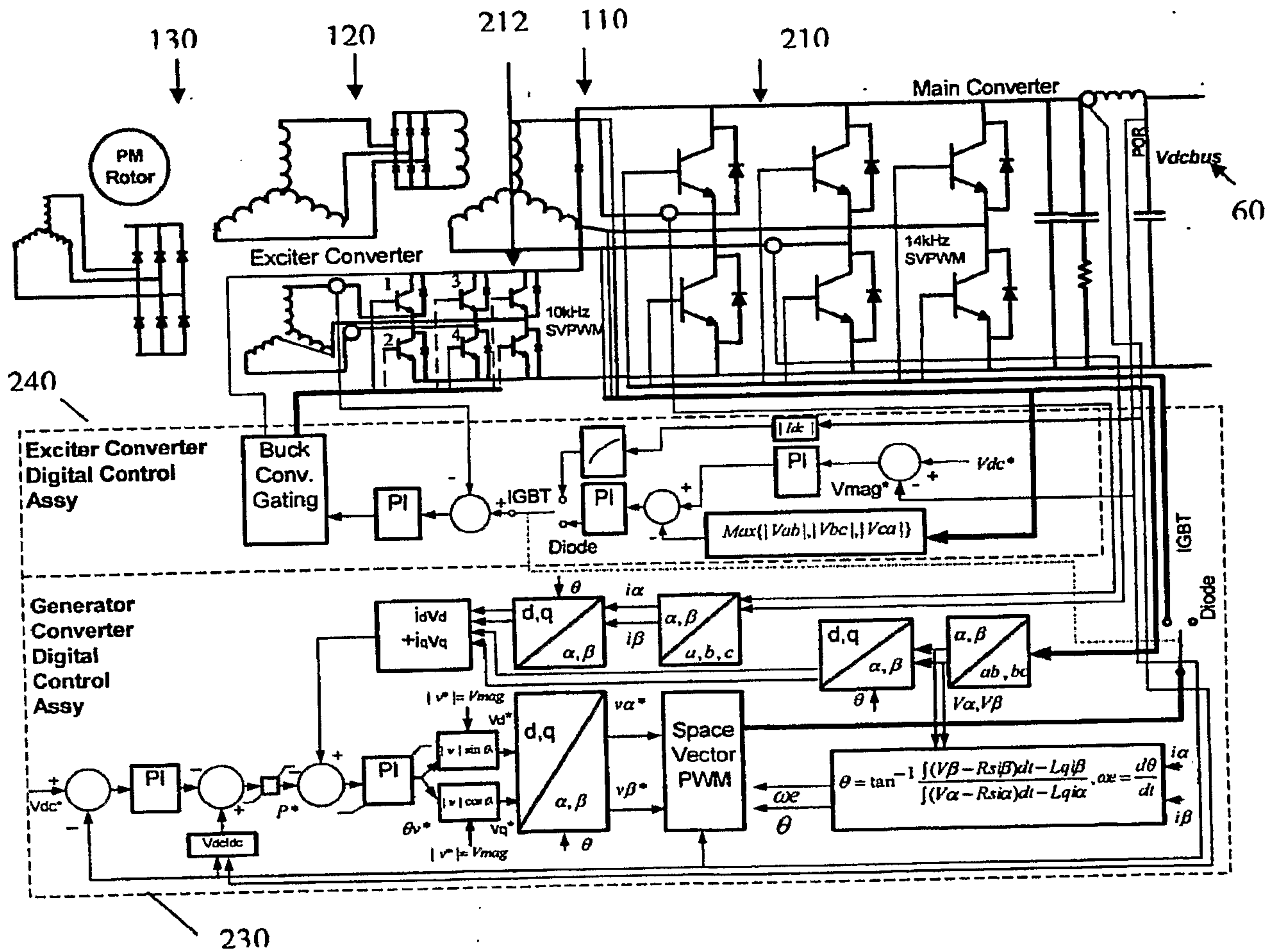


Figure 4.

5 / 8

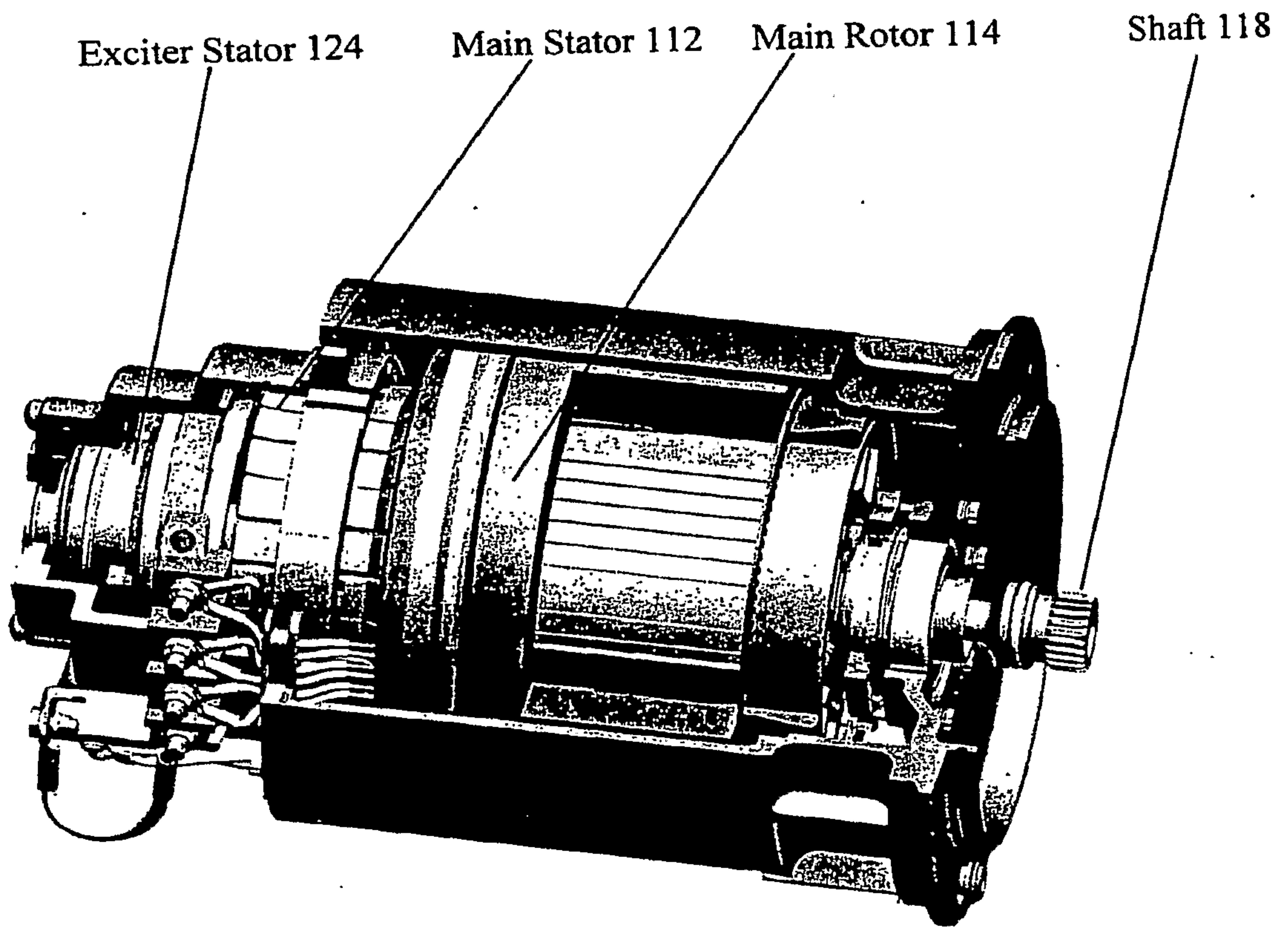


Figure 5

6 / 8

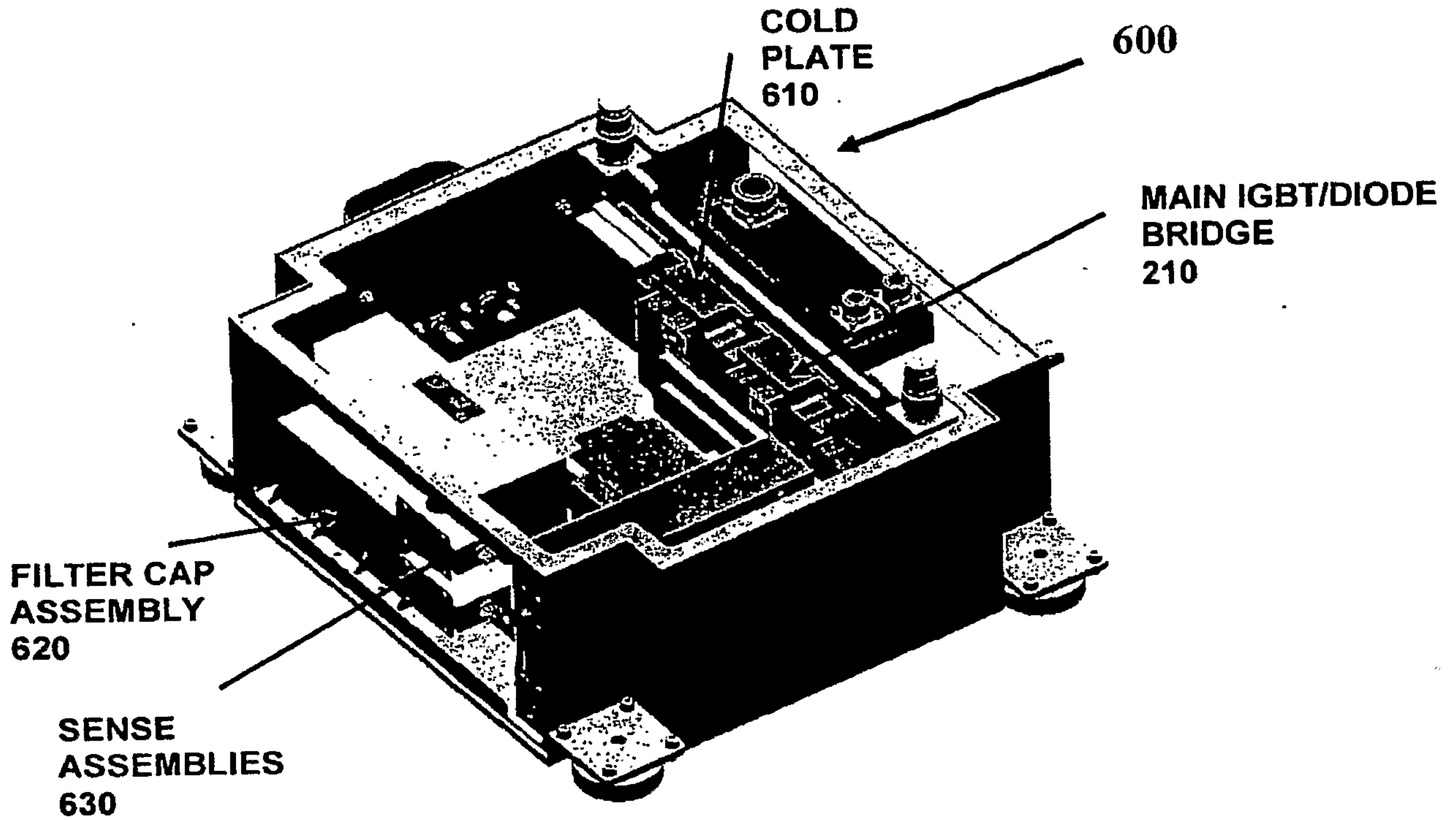


Figure 6A

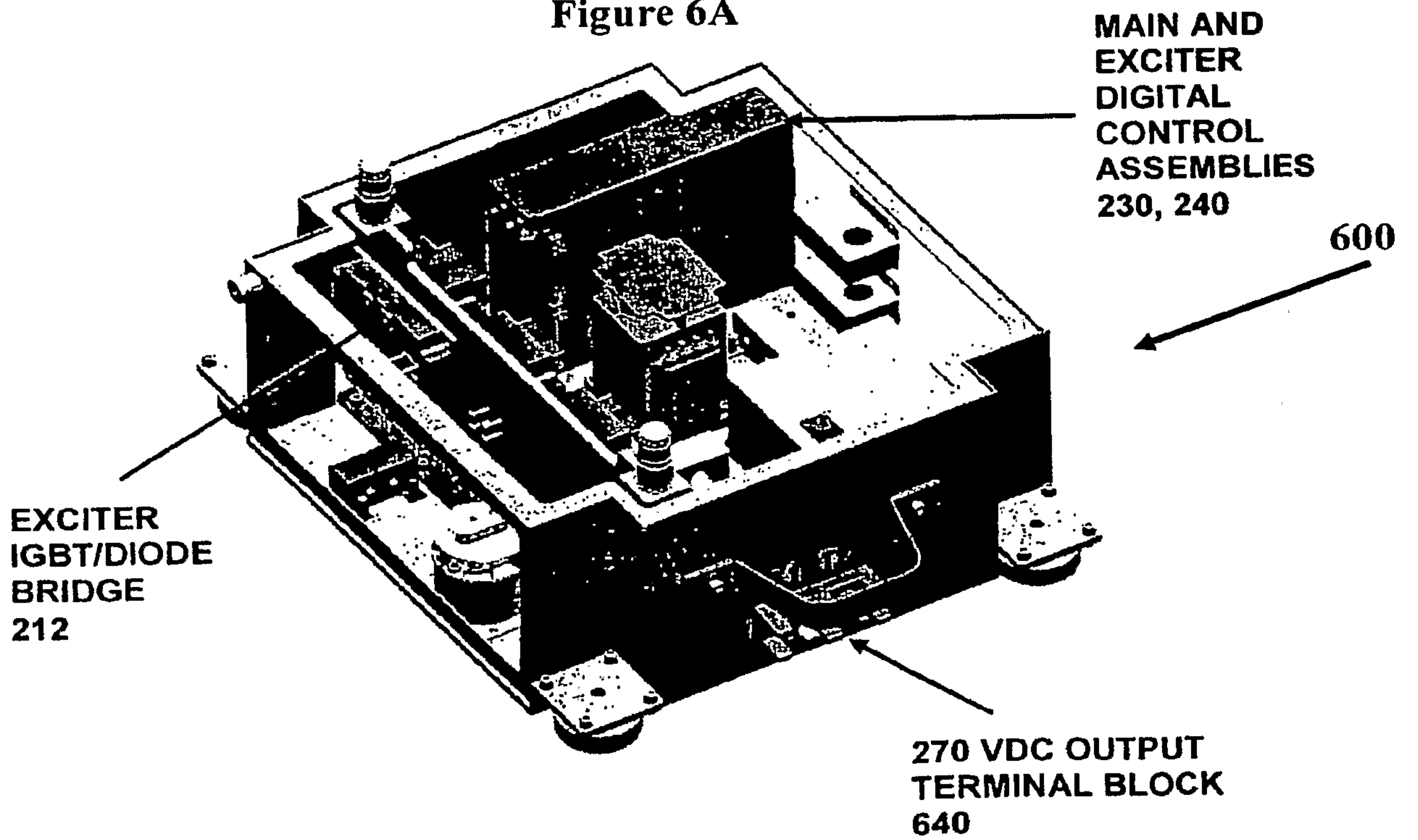


Figure 6B

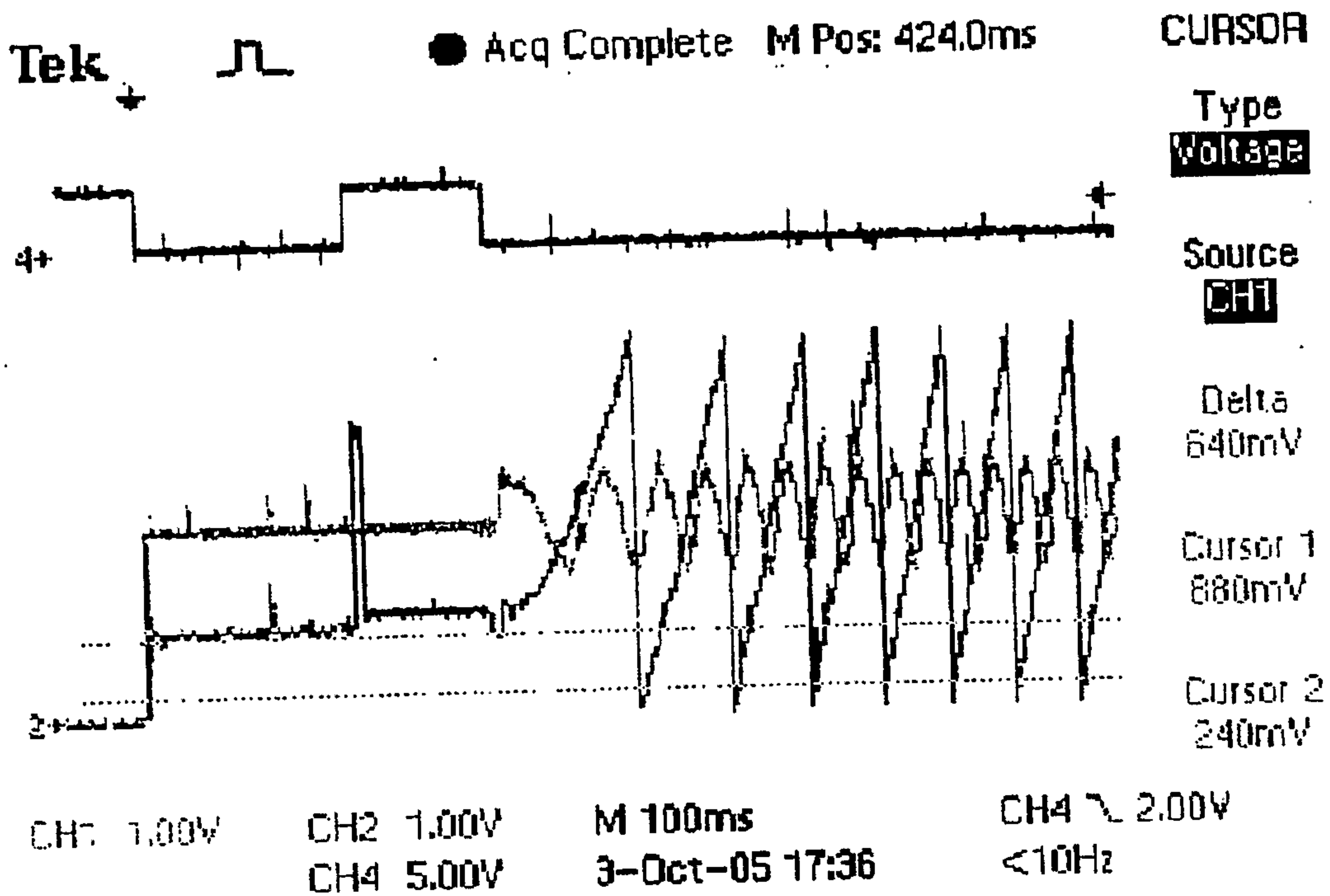


Figure 7.

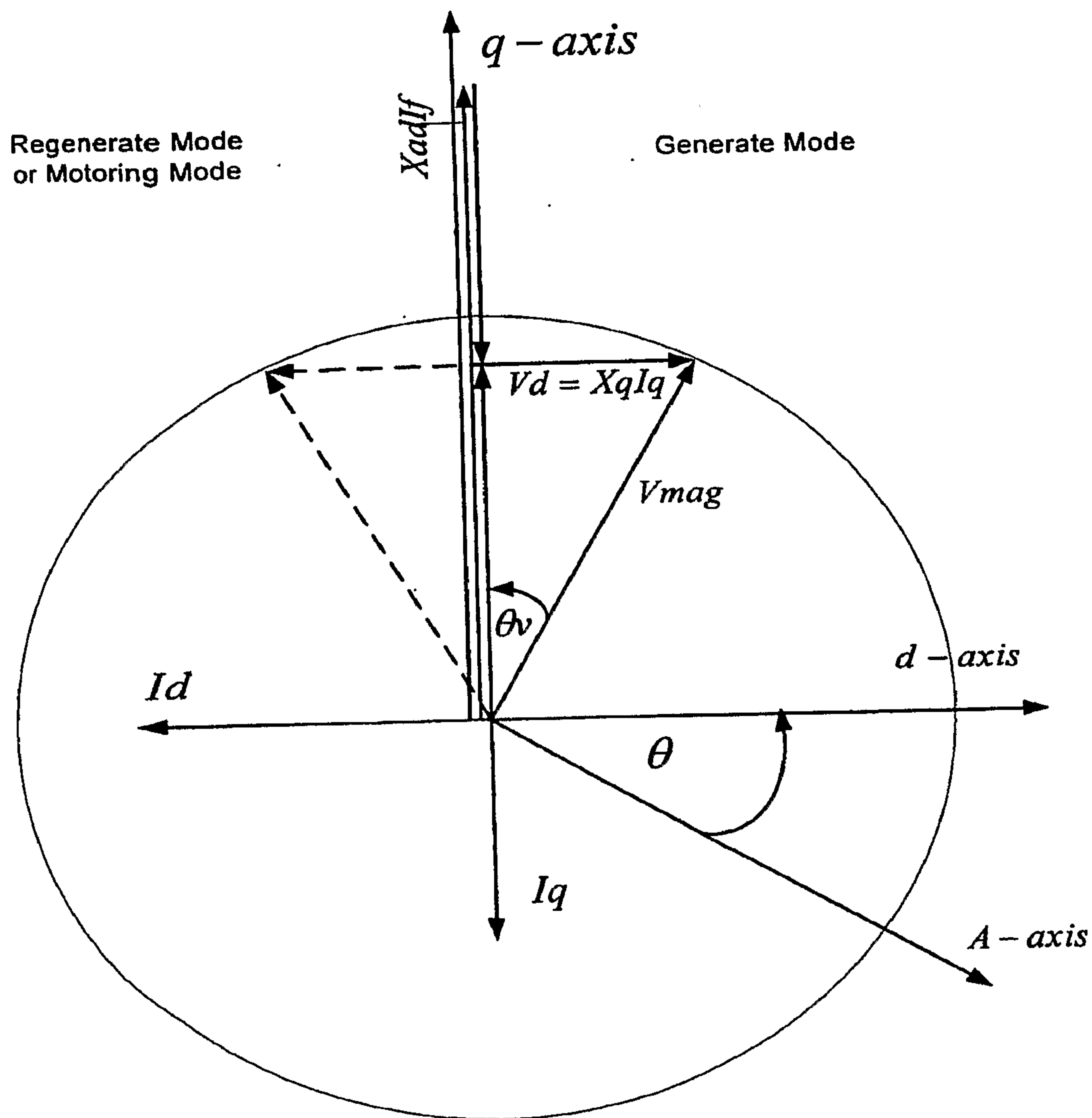


Figure 8.

