



US00D679201S

(12) **United States Design Patent**
Jacquerye

(10) **Patent No.:** **US D679,201 S**

(45) **Date of Patent:** **** Apr. 2, 2013**

(54) **WATCH**

(76) Inventor: **Francis Jacquerye**, Neuchâtel (CH)

(**) Term: **14 Years**

(21) Appl. No.: **29/429,313**

(22) Filed: **Aug. 9, 2012**

(30) **Foreign Application Priority Data**

Feb. 24, 2012 (WO) DM/077 777

(51) **LOC (9) Cl.** **10-02**

(52) **U.S. Cl.** **D10/39**

(58) **Field of Classification Search** D10/30-39,
D10/122-132; 368/276, 281, 282, 285, 223,
368/228, 232

See application file for complete search history.

(56) **References Cited**

U.S. PATENT DOCUMENTS

D56,426 S *	10/1920	Goodrow	D10/126
2,361,563 A *	10/1944	Pellaton	368/80
2,385,234 A *	9/1945	Schmitz	368/288
2,775,861 A *	1/1957	Fachon	368/282
D186,180 S *	9/1959	Diamond	D10/39
3,552,117 A *	1/1971	Parris	368/277
D358,776 S *	5/1995	Pandel	D10/30
D365,526 S *	12/1995	Gardner	D10/39
D420,920 S *	2/2000	Bach	D10/32
D474,118 S *	5/2003	Monachon	D10/32
6,570,823 B1 *	5/2003	Gilomen et al.	368/113
D530,627 S *	10/2006	Senggen et al.	D10/32

D530,628 S *	10/2006	Raffy	D10/32
D551,095 S *	9/2007	Monachon	D10/32
D559,123 S *	1/2008	Modolo	D10/32
D577,613 S *	9/2008	Rochat	D10/38
D580,279 S *	11/2008	Wunderman	D10/39
D590,727 S *	4/2009	Wei	D10/38
D608,223 S *	1/2010	Salanitro	D10/38
D631,764 S *	2/2011	Furetta	D10/32
D648,638 S *	11/2011	Monachon	D10/39

OTHER PUBLICATIONS

U.S. Appl. No. 29/429,293, filed Aug. 9, 2012, First Named Inventor: Francis Jacquerye.

* cited by examiner

Primary Examiner — Lucy Lieberman

(74) *Attorney, Agent, or Firm* — Donald J. Ranft; Collen IP

(57) **CLAIM**

The ornamental design for a watch, as shown.

DESCRIPTION

FIG. 1 is a front left perspective view of a watch showing my new design;

FIG. 2 is a front right perspective view thereof;

FIG. 3 is a rear right perspective view thereof;

FIG. 4 is a rear left perspective view thereof;

FIG. 5 is a front view thereof;

FIG. 6 is a rear view thereof;

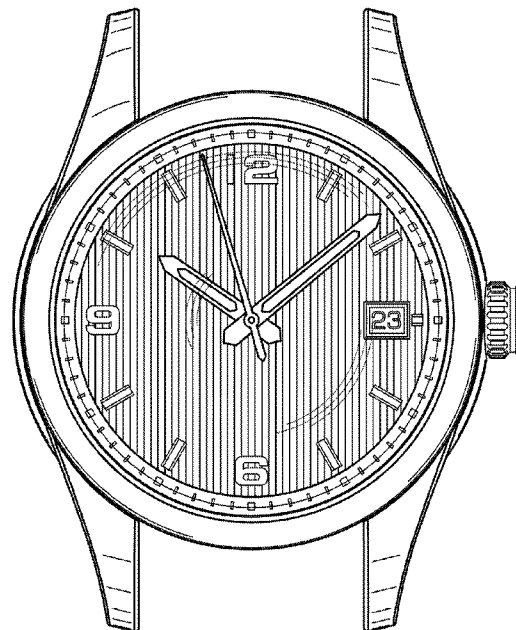
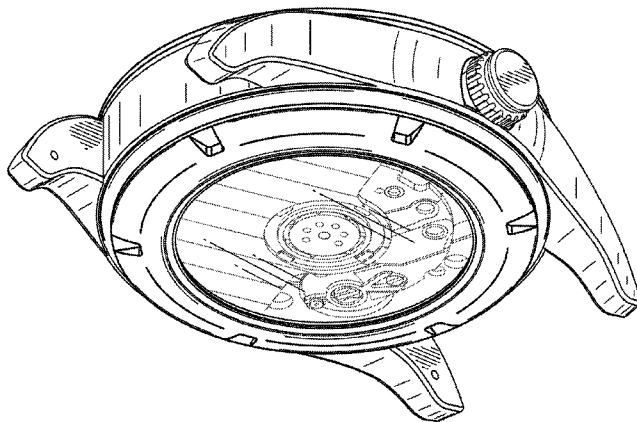
FIG. 7 is a left side view thereof;

FIG. 8 is a right side view thereof;

FIG. 9 is a bottom view thereof; and,

FIG. 10 is a top view thereof.

1 Claim, 8 Drawing Sheets



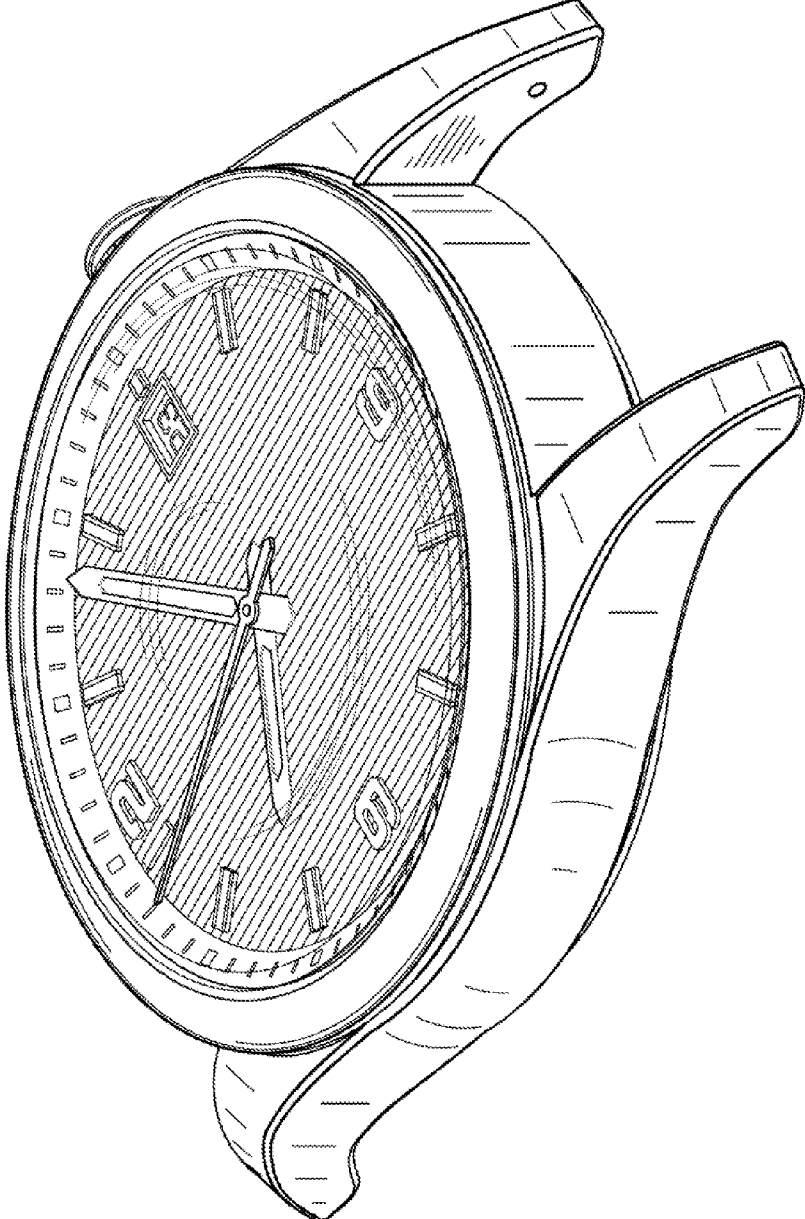


FIG. 1

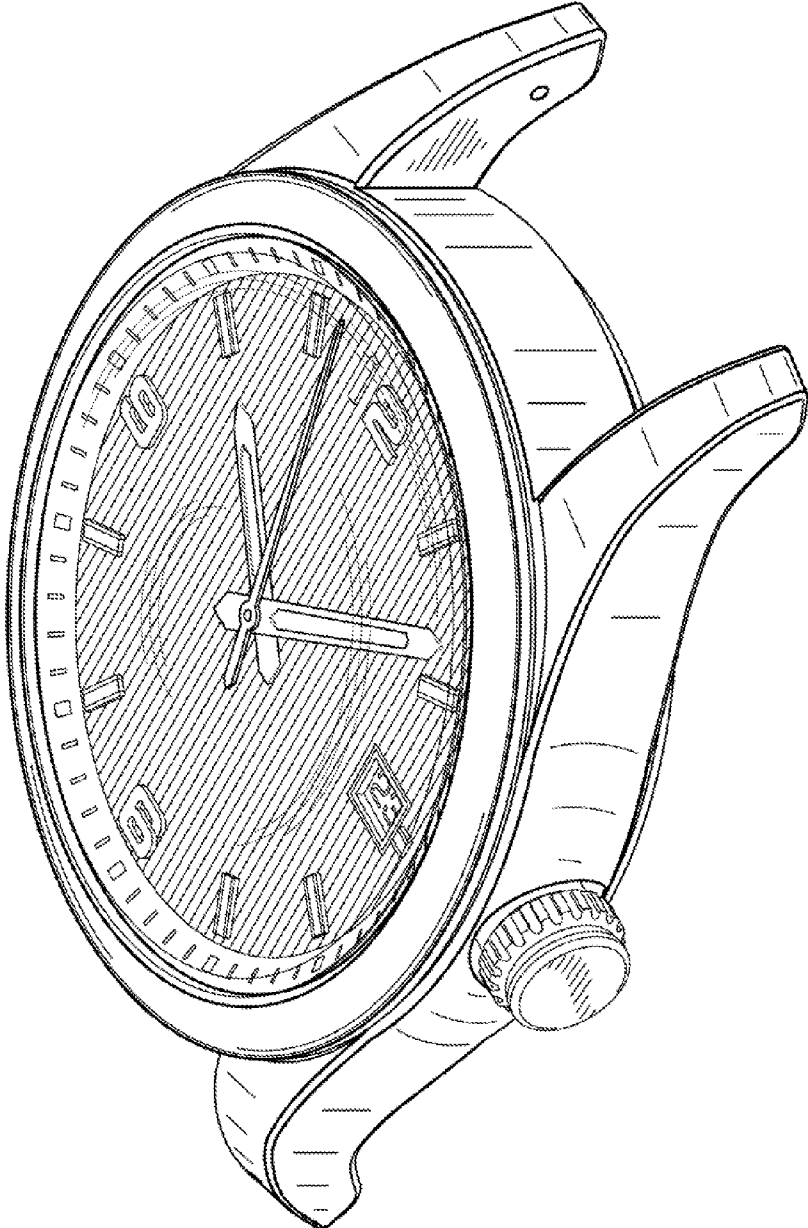


FIG. 2

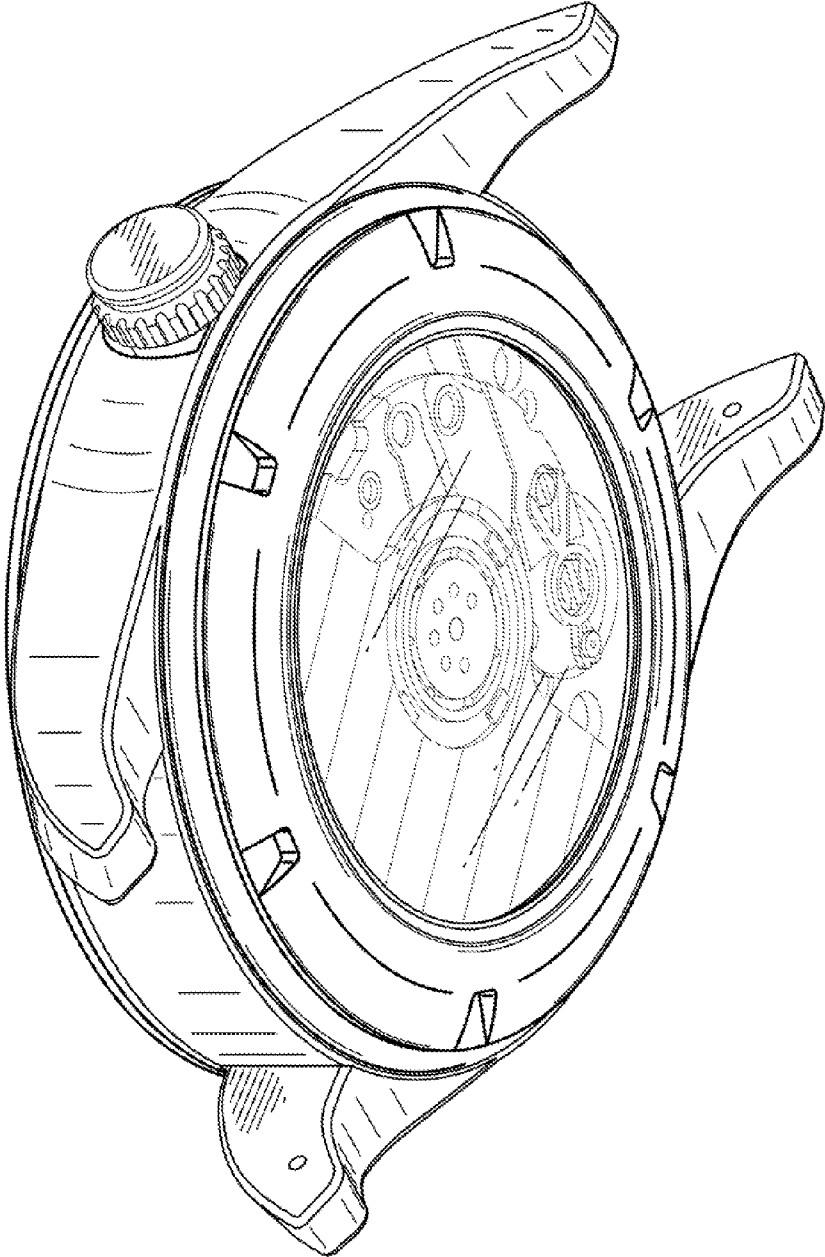


FIG. 3

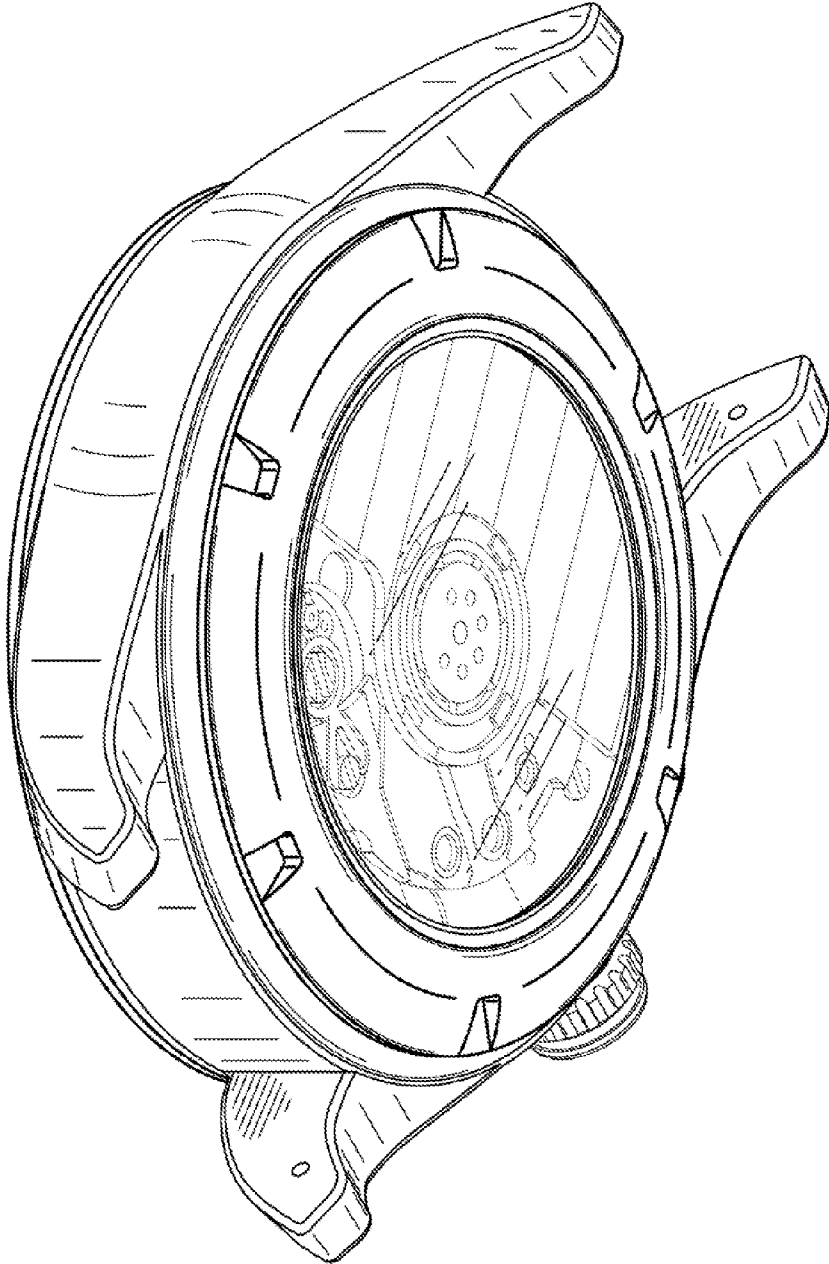


FIG. 4



FIG. 5

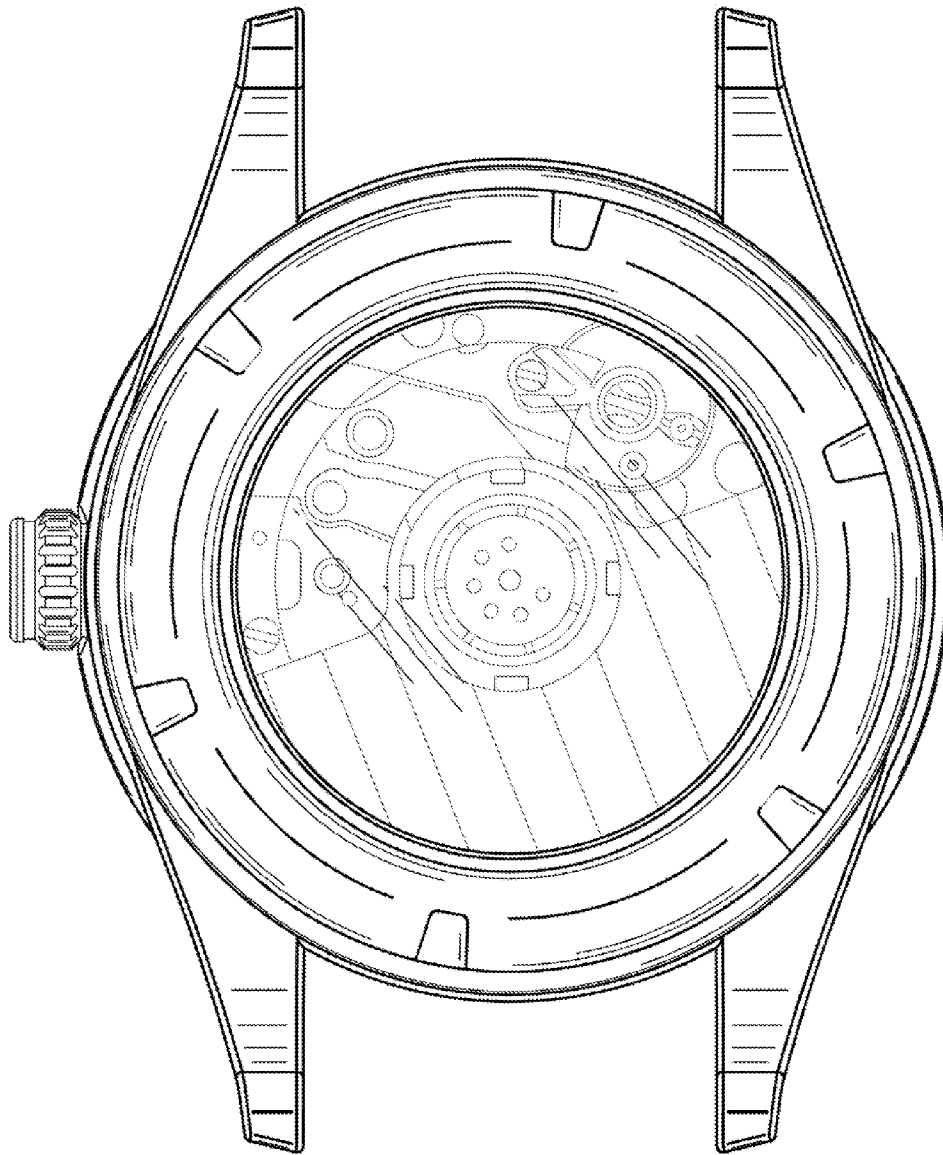


FIG. 6

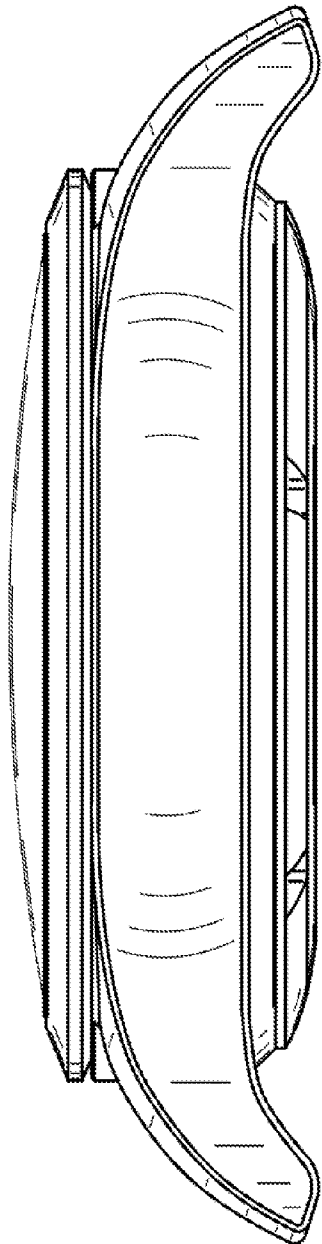


FIG. 7

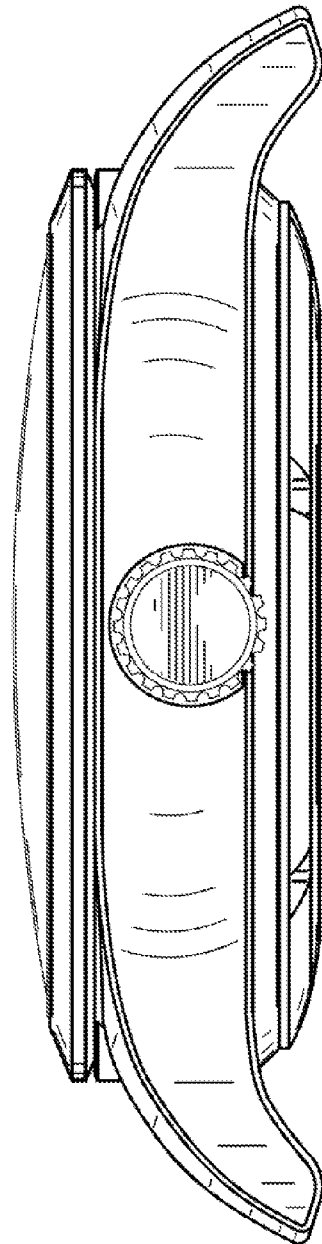


FIG. 8

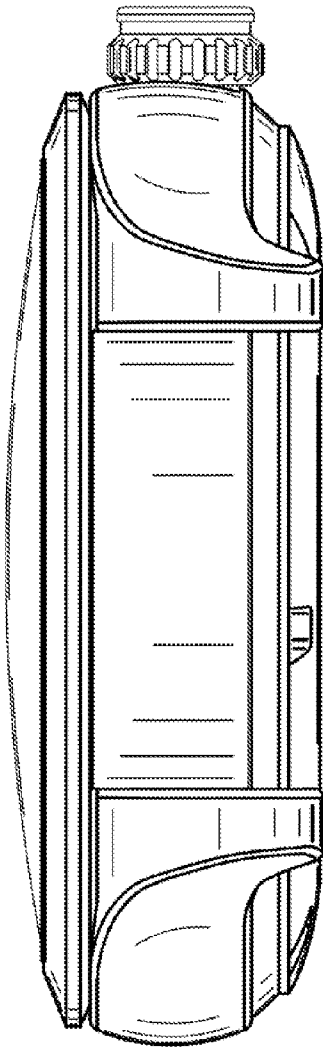


FIG. 9

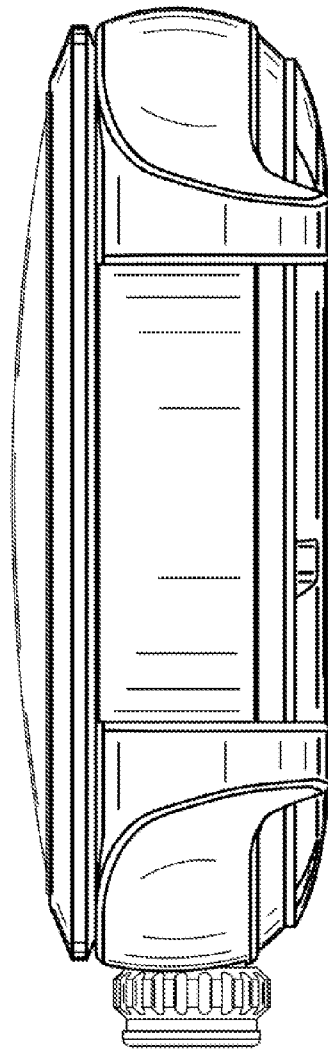


FIG. 10