

(19) World Intellectual Property Organization  
International Bureau



(43) International Publication Date  
16 April 2009 (16.04.2009)

PCT

(10) International Publication Number  
**WO 2009/049146 A1**

(51) International Patent Classification:  
**B41J 2/175** (2006.01)

Ammar [GB/GB]; 3 The Paddock, Harston, Cambridge  
CB2 5PR (GB).

(21) International Application Number:  
PCT/US2008/079503

(74) Agent: **VANDER LEEST, Kirk, A.**; McAndrews, Held  
& Malloy, 500 W. Madison Street, Suite 3400, Chicago, IL  
60661 (US).

(22) International Filing Date: 10 October 2008 (10.10.2008)

(81) Designated States (unless otherwise indicated, for every  
kind of national protection available): AE, AG, AL, AM,  
AO, AT, AU, AZ, BA, BB, BG, BH, BR, BW, BY, BZ, CA,  
CH, CN, CO, CR, CU, CZ, DE, DK, DM, DO, DZ, EC, EE,  
EG, ES, FI, GB, GD, GE, GH, GM, GT, HN, HR, HU, ID,  
IL, IN, IS, JP, KE, KG, KM, KN, KP, KR, KZ, LA, LC, LK,  
LR, LS, LT, LU, LY, MA, MD, ME, MG, MK, MN, MW,  
MX, MY, MZ, NA, NG, NI, NO, NZ, OM, PG, PH, PL, PT,  
RO, RS, RU, SC, SD, SE, SG, SK, SL, SM, ST, SV, SY, TJ,  
TM, TN, TR, TT, TZ, UA, UG, US, UZ, VC, VN, ZA, ZM,  
ZW.

(25) Filing Language: English

(26) Publication Language: English

(30) Priority Data:  
0720135.3 12 October 2007 (12.10.2007) GB  
0720051.2 15 October 2007 (15.10.2007) GB  
61/081,283 16 July 2008 (16.07.2008) US

(71) Applicant (for all designated States except US): **VIDEO-  
JET TECHNOLOGIES INC.** [US/US]; 1900 Mittel  
Boulevard, Wood Dale, IL 60191 (US).

(84) Designated States (unless otherwise indicated, for every  
kind of regional protection available): ARIPO (BW, GH,  
GM, KE, LS, MW, MZ, NA, SD, SL, SZ, TZ, UG, ZM,  
ZW), Eurasian (AM, AZ, BY, KG, KZ, MD, RU, TJ, TM),  
European (AT, BE, BG, CH, CY, CZ, DE, DK, EE, ES, FI,  
FR, GB, GR, HR, HU, IE, IS, IT, LT, LU, LV, MC, MT, NL,  
NO, PL, PT, RO, SE, SI, SK, TR), OAPI (BF, BJ, CF, CG,  
CI, CM, GA, GN, GQ, GW, ML, MR, NE, SN, TD, TG).

(72) Inventors; and

(75) Inventors/Applicants (for US only): **TOMLIN, Matthew**  
[GB/GB]; Linsday 17, Church Street, Stapleford, Cam-  
bridge CB2 5DS (GB). **FOST, Ian** [GB/GB]; Llamedos,  
Wisbeach Road, Manea, Cambs PE15 0HB (GB). **PRIME,  
Oliver** [GB/GB]; 5 Lingholme Close, Cambridge CB4  
3HW (GB). **ZABA, Jerzy** [GB/GB]; 56, Melvin Way,  
Histon, Cambridge CB24 9HY (GB). **LECHEHEB,**

**Published:**  
— with international search report

(54) Title: **INK SUPPLY SYSTEM**

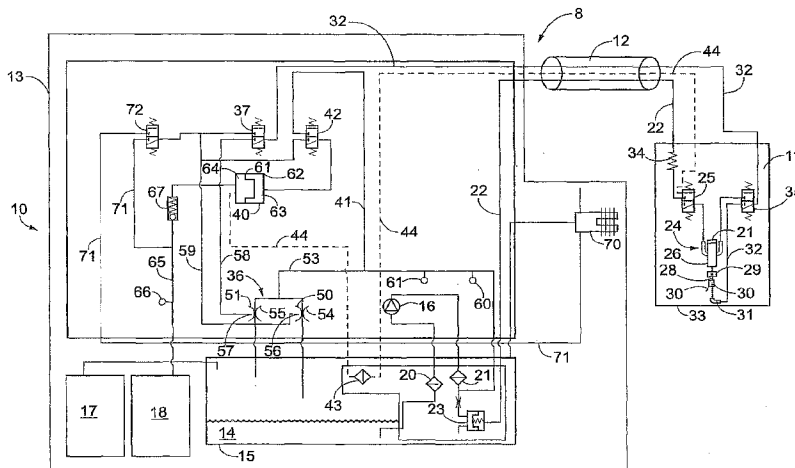


FIG. 1

(57) Abstract: An ink supply system for an ink jet printer, particularly a continuous ink jet printer, has a manifold assembly of two parts that are brought together at interfacing surfaces. At least one of the surfaces has a plurality of ink flow channels for conveying ink around an ink circuit between components. The other of the interfacing surfaces is configured to close and seal the channels. A plurality of ports is provided in fluid communication with the channels, the circuit components being connectable to the ports. The manifold assembly provides for a compact and neat arrangement free of many tubes and pipes. The lower number of connections significantly reduces the risk of leakage.

WO 2009/049146 A1

## **INK SUPPLY SYSTEM**

The present invention relates to ink jet printing and more particularly to an ink supply system for an ink jet printer such as a continuous ink jet printer.

### **BACKGROUND**

In ink jet printing systems the print is made up of individual droplets of ink generated at a nozzle and propelled towards a substrate. There are two principal systems: drop on demand where ink droplets for printing are generated as and when required; and continuous ink jet printing in which droplets are continuously produced and only selected ones are directed towards the substrate, the others being recirculated to an ink supply.

Continuous ink jet printers supply pressurised ink to a print head drop generator where a continuous stream of ink emanating from a nozzle is broken up into individual regular drops by, for example, an oscillating piezoelectric element. The drops are directed past a charge electrode where they are selectively and separately given a predetermined charge before passing through a transverse electric field provided across a pair of deflection plates. Each charged drop is deflected by the field by an amount that is dependent on its charge magnitude before impinging on the substrate whereas the uncharged drops proceed without deflection and are collected at a gutter from where they are recirculated to the ink supply for reuse. The charged drops bypass the gutter and hit the substrate at a position determined by the charge on the drop and the position of the substrate relative to the print head. Typically the substrate is moved relative to the print head in one direction and the drops are deflected in a direction generally perpendicular thereto, although the deflection plates may be oriented at an inclination to the perpendicular to compensate for the speed of the substrate (the movement of the substrate relative to the print head between drops arriving means that a line of drops would otherwise not quite extend perpendicularly to the direction of movement of the substrate).

In continuous ink jet printing a character is printed from a matrix comprising a regular array of potential drop positions. Each matrix comprises a plurality of columns (strokes), each being defined by a line comprising a plurality of potential drop positions (e.g. seven) determined by the charge applied to the drops. Thus each usable drop is

charged according to its intended position in the stroke. If a particular drop is not to be used then the drop is not charged and it is captured at the gutter for recirculation. This cycle repeats for all strokes in a matrix and then starts again for the next character matrix.

Ink is delivered under pressure to the print head by an ink supply system that is generally housed within a sealed compartment of a cabinet that includes a separate compartment for control circuitry and a user interface panel. The system includes a main pump that draws the ink from a reservoir or tank via a filter and delivers it under pressure to the print head. As ink is consumed the reservoir is refilled as necessary from a replaceable ink cartridge that is releasably connected to the reservoir by a supply conduit. The ink is fed from the reservoir via a flexible delivery conduit to the print head. The unused ink drops captured by the gutter are recirculated to the reservoir via a return conduit by a pump. The flow of ink in each of the conduits is generally controlled by solenoid valves and/or other like components.

As the ink circulates through the system, there is a tendency for it to thicken as a result of solvent evaporation, particularly in relation to the recirculated ink that has been exposed to air in its passage between the nozzle and the gutter. In order to compensate for this, "make-up" solvent is added to the ink as required from a replaceable ink cartridge so as to maintain the ink viscosity within desired limits. This solvent may also be used for flushing components of the print head, such as the nozzle and the gutter, in a cleaning cycle. It will be appreciated that circulation of the solvent requires further fluid conduits and therefore that the ink supply system as a whole comprises a significant number of conduits connected between different components of the ink supply system. The many connections between the components and the conduits all represent a potential source of leakage and loss of pressure. Given that continuous ink jet printers are typically used on production lines for long uninterrupted periods reliability is an important issue. Moreover, the presence of multiple conduits in the interior of the ink supply section of the cabinet makes access to certain components difficult in the event of servicing or repair.

### BRIEF SUMMARY OF THE INVENTION

A feature of the present invention, amongst others, to provide for an improved or an alternative ink jet printer and/or an alternative or improved ink supply system for an ink jet printer.

According to a first aspect of the present invention there is provided an ink supply system for an ink jet printer, the system comprising: an ink circuit comprising a plurality of circuit components and fluid paths for conveying fluid between components; an ink reservoir for containing ink; and a manifold defining the fluid paths and supported over the reservoir, the manifold having a plurality of ports in fluid communication with the fluid paths and the circuit components being adjacent to the manifold and connected thereto at the ports.

With the manifold being disposed over the reservoir and the component being adjacent to the manifold the invention provides for a compact arrangement that is relatively easy to assemble, service and repair. It eliminates many separate conduits or pipes between components. It is to be understood that the ink circuit may comprise further components that are not connected to the ports.

The components are preferably supported on the manifold but could be supported by another means, such as for example the reservoir, whilst still being adjacent to the manifold and connected to the ports. They may be connected directly to the ports.

The manifold may be supported on the ink reservoir, preferably a wall of the reservoir. The reservoir may have a base wall and at least one side wall upstanding from the base wall, the at least one side wall having a free end distal from the base wall, the manifold being supported the free end. The manifold may have a flange by which it is supported on the wall or walls. Fixings may connect the flange to at least one of the walls.

The at least one side wall of the reservoir may define an open mouth, the manifold being at least partially disposed in the mouth. The manifold may close the mouth in the manner of a lid or cover. A seal may be provided between the reservoir and the manifold.

The manifold may have a lower surface facing the reservoir and an opposite upper surface. At least one of the plurality of components may be connected to the lower surface and is disposed in the reservoir. At least one of the plurality of components may be an ink filter assembly which may depend into the reservoir.

At least one of the plurality of components may be connected to the upper surface.

At least one of the plurality of components connected to the upper surface may be a pump for pumping ink around the circuit.

At least one of the ports may have a spigot for connection to a component. The spigot may be received in an inlet or outlet aperture of the component.

The manifold may comprise first and second members connected together at interfacing first surfaces. The first and second members may be plate-like. The second member may be disposed in the reservoir.

At least one replaceable container of ink and/or solvent may be connected to the manifold or the reservoir.

The plurality of components may comprise fluid handling devices and/or transducers for sensing characteristics of the ink.

A specific embodiment of the present invention will now be described, by way of example only, with reference to the accompanying drawings in which:

#### **BRIEF DESCRIPTION OF THE DRAWINGS**

Figure 1 is a schematic representation of an embodiment of a continuous ink jet printer of the present invention.

Figure 2A is an exploded perspective view from above of part of the ink supply system of Figure 1.

Figure 2B is a further exploded perspective view of part of the ink supply system of the printer of Figure 1.

Figure 2C is a perspective view from below of the ink supply system of Figures 1, 2A and 2B in a partially assembled condition.

Figure 3A is a plan view of an upper surface of a feed plate of the ink supply system of Figures 2A and 2B.

Figure 3B is a plan view of a lower surface of the feed plate of Figure 3A, with components removed for clarity.

Figure 3C is a side view of the feed plate in the direction of arrow A of Figure 3B.

Figure 4A is a plan view of a lower surface of a manifold plate of the ink supply system of Figures 2A and 2B.

Figure 4B is a plan view of an upper surface of the manifold plate of Figure 4A when fitted with components.

Figure 4C is a side view of the manifold plate in the direction of arrow A of Figure 4B, with components removed for clarity, the feed plate being shown in dotted line and an ink level sensor guard being shown in section.

Figure 5A is a partially sectioned side view of part of the ink supply system of Figures 1, 2A and 2B.

Figure 5B is an enlarged view of the encircled part labelled X in Figure 5A.

Figures 6A and 6B are end views of part of a filter module of the ink supply system.

Figures 7A to 7D are respective perspective, side, side sectioned (along line B-B of Figure 7D) and underneath plan views of the guard of Figure 4C.

Figure 8 is an exploded side view of the arrangement shown in Figure 2A, a mixer tank of the supply system being shown in partial section;

Figure 9 is a plan view of the mixer tank of Figure 8; and

Figure 10 is a perspective view from underneath of the mixer tank of Figure 9.

Figure 11 is a rear view of an embodiment of a module.

Figure 12 is a side view of a portion of a manifold of the module of Figure 11.

Figure 13 is a perspective view of an embodiment of a connector for an ink jet printer.

## DETAILED DESCRIPTION

Referring now to Figure 1 of the drawings, ink is delivered under pressure from an ink supply system 10 to a print head 11 and back via flexible tubes which are bundled together with other fluid tubes and electrical wires (not shown) into what is

referred to in the art as an “umbilical” conduit 12. The ink supply system 10 is located in a cabinet 13 which is typically table mounted and the print head 11 is disposed outside of the cabinet. In operation, ink is drawn from a reservoir of ink 14 in a mixer tank 15 by a system pump 16, the tank 15 being topped up as necessary with ink and make-up solvent from replaceable ink and solvent cartridges 17, 18. Ink is transferred under pressure from the ink cartridge 17 to the mixer tank 15 as required and solvent is drawn from the solvent cartridge 18 by suction pressure as will be described.

It will be understood from the description that follows that the ink supply system 10 and the print head 11 include a number of flow control valves which are of the same general type: a dual coil solenoid-operated two-way, two port flow control valve. The operation of each of the valves is governed by a control system (not shown in the figures) that also controls operation of the pumps.

Ink drawn from the tank 15 is filtered first by a coarse filter 20 upstream of the system pump 16 and then by a relatively fine main ink filter 21 downstream of the pump 16 before it is delivered to an ink feed line 22 to the print head 11. A fluid damper 23 of conventional configuration and disposed upstream of the main filter 21 removes pressure pulsations caused by the operation of the system pump 16.

At the print head the ink from the feed line 22 is supplied to a drop generator 24 via a first flow control valve 25. The drop generator 24 comprises a nozzle 26 from which the pressurised ink is discharged and a piezoelectric oscillator 27 which creates pressure perturbations in the ink flow at a predetermined frequency and amplitude so as to break up the ink stream into drops 28 of a regular size and spacing. The break up point is downstream of the nozzle 26 and coincides with a charge electrode 29 where a predetermined charge is applied to each drop 28. This charge determines the degree of deflection of the drop 28 as it passes a pair of deflection plates 30 between which a substantially constant electric field is maintained. Uncharged drops pass substantially undeflected to a gutter 31 from where they are recycled to the ink supply system 10 via return line 32. Charged drops are projected towards a substrate 33 that moves past the print head 11. The position at which each drop 28 impinges on the substrate 33 is determined by the amount of deflection of the drop and the speed of movement of the

substrate. For example, if the substrate moves in a horizontal direction, the deflection of the drop determines its vertical position in the stroke of the character matrix.

In order to ensure effective operation of the drop generator 24 the temperature of the ink entering the print head 11 is maintained at a desired level by a heater 34 before it passes to the first control valve 25. In instances where the printer is started up from rest it is desirable to allow ink to bleed through the nozzle 26 without being projected toward the gutter 31 or substrate 33. The passage of the ink into the return line 32, whether it is the bleed flow or recycled unused ink captured by the gutter 31, is controlled by a second flow control valve 35. The returning ink is drawn back to the mixer tank 15 by a jet pump arrangement 36 and a third flow control valve 37 in the ink supply system 10.

As ink flows through the system and comes into contact with air in the tank 15 and at the print head 11, a portion of its solvent content tends to evaporate. The ink supply system 10 is therefore also designed to supply make-up solvent as required so as to maintain the viscosity of the ink within a predefined range suitable for use. Such solvent, provided from the cartridge 18, is also used to flush the print head 11 at appropriate times in order to keep it clear of blockages. The flush solvent is drawn through the system 10 by a flush pump valve 40 that is driven by a flow of ink in a branch conduit 41 under the control of a fourth flow control valve 42 as will be described below. The flush solvent is pumped out via a filter 43 through a flush line 44 (represented in dotted line in Figure 1) that extends from the supply system 10 through the umbilical conduit 12 to the first flow control valve 25 in the print head 11. After passing through the nozzle 26 and into the gutter 31 the solvent is drawn into the return line 32 via the second control valve 35 and to the third control valve 37. The returning solvent flows under suction pressure from the jet pump arrangement 36.

The jet pump arrangement 36 comprises a pair of parallel venturi pumps 50, 51 that are supplied by pressurised ink from a branch line 53 from the outlet of the main filter 21. The pumps are of known configuration and make use of the Bernoulli Principle whereby fluid flowing through a restriction in a conduit increases to a high velocity jet at the restriction and creates a low pressure area. If a side port is provided at the restriction this low pressure can be used to draw in and entrain a second fluid in

a conduit connected to the side port. In this instance, the pressurised ink flows through a pair of conduits 54, 55 and back to the mixer tank 15, each conduit 54, 55 having a side port 56, 57 at the venturi restriction. The increase in flow velocity of the ink creates a suction pressure at the side port 56, 57 and this serves to draw returning ink and/or solvent through lines 58, 59 when the third flow control valve 37 is open. The flow control valve 37 is operated such that the flow of returning ink/solvent to each venturi pump 50, 51 can be separately controlled. More specifically, the control system determines whether to allow flow through one or both venturi pumps 50, 51 depending on the temperature of the ink determined by a temperature sensor 60 in the branch line 53. If the ink has a relatively low temperature it will have a relatively high viscosity and therefore greater pumping power is required to draw ink back from the gutter 31 in which case both pumps 50, 51 should be operated. In the event that the ink has a relatively high temperature it will have a relatively low viscosity in which case the only one pump 50 is required to generate sufficient suction. Indeed operation of both the pumps should be avoided in the latter circumstance, as there would be a risk of air getting into the supply system, which serves to cause excess evaporation of the solvent, and therefore increased consumption of make-up solvent.

The branch line 53 is connected to line 41 that conveys ink to the flush pump valve 40 via the fourth flow control valve 42. When the control valve 42 is appropriately operated by the control system in order to effect flushing of the print head 11 it allows the flush pump valve 40 to be pressurised by the ink from line 41. The valve 40 is a rolling diaphragm type in which a resilient "top-hat" diaphragm 61 divides a valve housing 62 into first and second variable volume chambers 63, 64. Ink is supplied under pressure to the first chamber 63 and make up solvent is delivered from the cartridge 18 through a solvent supply line 65 to the second chamber 64 via a pressure transducer 66 and a non-return valve 67. The higher pressure of the ink entering the first chamber 63 relative to the solvent serves to deflect the diaphragm 61 from its normal position as shown in Figure 1, to a position where the volume of the first chamber 63 has increased at the expense of the volume of the second chamber 64 and solvent is forced out of the second chamber 64 and towards the print head 11 via

the flush line 44. It is to be appreciated that other flush pump designs may be used to achieve the same operation.

In use, the atmosphere above the mixer tank 15 soon becomes saturated with solvent and this is drawn into a condenser unit 70 where it is condensed and allowed to drain back into a solvent return line 71 via a fifth control valve 72 of the ink supply system.

The ink supply system 10, represented in circuit form in Figure 1, is physically embodied as a modular unit or core module 200 that is illustrated in Figures 2A to 2C and 11. The mixer tank 15 comprises a reservoir with a base wall 75, upstanding sidewalls 76 and an open top that defines a mouth 77. The side walls 76 terminate at their upper edge in a peripheral flange 78 around the mouth 77 and provide support for a manifold block 79, which provides fluid flow conduits between components of the ink supply system, many of which are conveniently supported on the block 79.

The manifold block 79 comprises two vertically stacked, interconnected parts: a tank-side feed plate 80 that supports a number of components over the ink in the tank 15 and an upper manifold plate 81 on which further components are supported. The plates 80, 81, which are shown in detail in Figures 3A to 3C and 4A to 4C, are generally square in outline, with the tank-side feed plate 80 being slightly smaller such that it fits inside the mouth 77 when the peripheral edge 82 of the manifold plate 81 rests on the flange 78 around the tank mouth 77. A seal 83 is provided between the flange 78 and the edge 82 of the manifold plate 81. Each of the plates 80, 81 has an upper and a lower surface 80a, 80b and 81a, 81b, and the stacked arrangement is such that the lower surface 81b of the manifold plate overlies, and is in interfacing abutment with the upper surface 80a of the feed plate 80.

The plates 80, 81 are penetrated in a direction substantially perpendicular to the plane of the interfacing surfaces 80a, 81b by a number of aligned fixing apertures 84 (fig 3A) for fixing screws (not shown) that are used to connect the plates together. The manifold plate 81 additionally has a plurality of apertures 86 spaced about its periphery for location over upstanding pegs 87 on the flange 78 of the tank 15, and a plurality of ports 88 (see Figure 3A) for connection to components of the ink supply system 10. The flow of ink between the ports 88, and therefore the components of the ink supply

system, is provided by a plurality of discrete channels A to K defined in the lower surface 81b of the manifold plate 81. The channels A-K interconnect the ports 88 in a predetermined relationship as can be seen in Figures 3A and 4A. When the interfacing surfaces 80a, 81b of the plates 80, 81 are brought together the channels A-K are covered by the upper surface 80a of the feed plate 80 and sealed by a sealing member 89 that is received in a pattern of recesses 90 defined in that surface 80a. The sealing member 89 is made from a moulded elastomeric material such as synthetic rubber of the kind used in O-ring seals and is compressed in the recesses when the plates 80, 81 are fastened together. It is configured such that it comprises a plurality of ring seals, each designed to seal around a particular channel when the plates 80, 81 are brought together, the seals being interconnected to form one member for convenience. The sealing member 89 demarcates selected areas 91 of the upper surface 80a that generally correspond to the pattern of channels A-K defined on the manifold plate 81, these areas 91 serving to close the channels A-K whilst the sealing member 89 seals the channels A-K against leakage. Some of the areas 91 bounded by the sealing member 89 contain the ports 88 that allow fluid communication between the channels A-K and the components mounted on the feed plate 80. A plurality of spigots 92 extend substantially perpendicularly from the ports 88 on the lower surface 80b feed plate 80 and provide for easy connection of the components to the ports 88.

The upper surface 81a of the manifold plate 81 has upstanding side walls 93 spaced inwardly of the peripheral apertures 86, the area inside the walls 93 being configured to support components of the ink supply system 10.

The arrangement of the channels A-K in the manifold plate 81 is shown clearly in Figure 4A, with the sealing recesses 90 and channel closure areas 91 being shown on the feed plate 80 in Figure 3A. The relationship of the channels A-K to the flow lines and conduits of the ink system 10 of Figure 1 is summarised below.

Channel A defines the branch line 53 and connected line 41 for pressurised ink that extend from the outlet of the main filter 21, which is connected to port A5 on the feed plate 80, to the jet pump 36 inlet that is connected to port A1. Line 41 is connected to the fourth control valve 42 (which controls activation of the flush pump)

via port A4. The pressure transducer 61 is in fluid communication with the conduit via port A3 and a temperature sensor 60 via port A2.

Channel B interconnects the second venturi jet pump 51 and the third control valve 37 which allows the flow to pump 51 to be switched on and off. Port B1 in the manifold plate 81 is connected to the valve 37 and port B2 (fig 3A) in the feed plate 80 connects to the venturi pump 51.

Channel C defines part of the ink return line 32 from the print head 11 and interconnects the return line (port C2) in the umbilical conduit 12 from the print head 11 to the third control valve 37 (port C3). Port C1 is not used.

Channel D defines the conduit that carries the flow of ink returning from the first chamber 63 of the flush pump 40 (via the fourth control valve 42) to the first venturi pump 50 of the jet pump arrangement 36 and/or the recovered solvent from the condenser unit 70. Port D1 on the feed plate 80 connects to the first venturi pump 50, port D2 on the manifold plate 81 to an outlet of the third control valve 37, port D3 to the fourth control valve 42 and port D4 to the fifth control valve 72 (controlling the flow of recovered solvent from the condenser unit 70).

Channel E defines the conduit 41 that delivers pressurised ink to the flush pump valve 40 and interconnects an outlet of the fourth control valve 42 (port E1 in the manifold plate 81) to the inlet (port E2 in the manifold plate 81) of the first chamber 63 of the flush pump valve 40.

Channel F defines part of the solvent return line 71 from the condenser unit 70 and interconnects the condenser drain (port F1 in the manifold plate 81) to the fifth control valve 72 (at port F2 in the manifold plate 81).

Channel G defines part of the solvent flush line 44 and interconnects that to the flush line tube in the umbilical conduit 12 to the print head 11 (port G1 on the manifold plate 81) and an outlet of the solvent flush filter 43 (port G2 on the feed plate 80).

Channel H defines part of the ink feed line 22 and interconnects the outlet of the damper 23 (port H2 in the feed plate 80) and ink feed line tube in the umbilical conduit 12.

Channel I defines the solvent supply line 65 from the solvent cartridge 18 and interconnects the end of a conduit from the cartridge 18 (that end being connected to

port I4 in the manifold plate 81) to the fifth control valve 72 (port I1 in the manifold plate 81). It also provides fluid communication with the non-return valve 67 (port I2 in the feed plate 81) and the pressure transducer 66 (port I3).

Channel J defines the solvent flow conduit between the non-return valve 67 and the flush pump 40. Port J1 in the feed plate 80 provides fluid communication between the inlet to the second chamber 64 of the flush pump 40 and port J2, also in the feed plate 80, with an outlet of the non-return valve 67.

Channel K defines part of the main ink feed line 22 and extends between the outlet of the system pump 16 (port K2 on the manifold plate 81) and the inlet of the main filter 21 (port K1 on the feed plate 80).

Ports L1 on the manifold plate 81 and L2 on the feed plate 80 simply allow a direct connection between the outlet of the coarse filter 20 and the inlet of the system pump 16 without any intermediate flow channel.

Each of the interfacing surfaces 80a, 81b of the plates 80, 81 has a large cylindrical recess 95a, 95b which combine when the plates are brought together, so as to form a chamber 95 for housing the flush pump 40, as best seen in Figures 5A and 5B. Similarly, the non-return valve 67 sits in a small chamber 96 defined between recesses 96a, 96b.

Referring back to Figures 2A and 2B, the modular nature of the ink supply system 10 will now be more clearly appreciated. The manifold block 79 configuration allows the various ink supply system components to be plugged simply into fluid communication with the ports 88 (or the spigots extending from the ports) and therefore the fluid flow channels in a modular fashion.

Some of the ink supply system components supported on the manifold block 79 will now be described with reference to Figures 2 to 7. An integrated filter and damper module 100 is connected to the lower surface 80b of the feed plate 80 by five spigots 92 as shown in Figures 2B and 2C. Two of the spigots are for mounting purposes only whereas the other spigots 92 extend rearwardly from ports K1, G2 and H2 in the plate. The module 100, shown separately in Figures 6A and 6B comprises a pair of cylindrical housings 103, 104 that are integrally formed with a mounting support 105 for the damper 23 (not shown in Figures 6A and 6B but shown in Figures 2B, 2C and

5A). A first housing 103 contains the main ink filter 21 and the second housing 104 houses the solvent filter 43. Each of the cylindrical housings 103, 104 has a central inlet opening 106 that fits over a respective spigot 92 in a friction fit, the opening for the main ink filter 21 connecting to the spigot at port K1 and the opening for the solvent filter 43 connecting to the spigot at port J2. A suitable sealing ring may be provided between each spigot 92 and inlet opening 106. The filtered ink egresses from the housing 103 at aperture 102, passes through the mounting support 105 to an inlet of the damper 23 and exits the damper and support 105 at aperture 23a to an integrally formed outlet conduit 107 that extends substantially parallel to the axis of the cylindrical housing 103, 104 and connects to the spigot 92 at port H2. A further conduit 108 extends from a side opening in the ink filter housing 103 and connects to the spigot 92 at port A5 from where the ink flows into the branch line 53 defined by channel A. The filtered solvent passes through a side aperture in the housing into a conduit 109 that connects to the spigot 92 at port G2 from where it flows into the flush line 44 defined by channel G.

It will be seen that the inlets 106 and the outlet conduits 107, 108, 109 are disposed substantially in parallel so that the module 100 can be plugged into the manifold block 79 with relative ease, with the inlets and conduits sliding on to the respective spigots 92.

The filter and damper module 100 also comprises the coarse filter 21 in a further cylindrical housing 110 whose inlet has a take up pipe 111 for connection to a tube (not shown) that extends into the ink 14 at the bottom of the mixer tank 15. In operation, the system pump 16 (upstream of the coarse filter 21) operates to draw ink from the tank 15 through the take up pipe 111 and into the coarse filter 21. The outlet of the coarse filter 21 directs filtered ink along an integral right-angled outlet conduit 112 that connects to port L1 in the manifold plate from where ink flows to an inlet pipe 113 (figures 4C and 5A) of the system pump 16, which extends through ports L2 and L1 and into the end of the filter outlet conduit 112.

Several components of the ink supply system 10 are mounted on the upper surface 81a of the manifold plate 81, these include in particular the jet pump assembly 36, system pump 16, the third to fifth flow control valves 37, 42, 72, temperature

sensor 60, pressure transducer 61, and a circuit board 115 for terminating electrical wiring connecting the valves, pumps and transducers to the control system. Many of these components are hidden from view in Figure 4B by the circuit board 115.

The three flow lines 22, 32, 44 are partly defined by respective tubes in the umbilical conduit 12 as described above and these connect to the respect ports H1, C2, G1 that are conveniently grouped together at a connection block 116 (figure 4B) defined on the upper surface 81a of the manifold plate 81. The tubes are supported in cut-out notches 117 (fig 2B) in the side wall 93.

An ink level sensor device 120 shown in Figures 2B, 2C, and 4C is provided on the manifold block 79 in order to detect the level of ink in the mixer tank at any given time. It comprises four electrically conductive pins 121, 122, 123, 124 that depend from the lower surface 81b of the manifold plate 81. They extend through a slot 125 in the feed plate 80 and into the tank 15 where they are designed to dip into the ink 14. The first and second pins 121, 122 are of the same length; a third 123 of intermediate length and the fourth 124 has the shortest length. The pins are connected to one or more electrical sensors (e.g. current or a capacitance sensors) and an associated electrical circuit 115 mounted on the upper surface 81a of the manifold plate 81. The sensor 120 is designed to sense the presence of the electrically conductive ink when it completes an electrical circuit between the first pin 121 and one or more of the other pins 122, 123, 124. For example, when the level of ink in the tank is relatively high the ends of all of the pins 121-124 will be immersed in the ink and the sensor(s) detects that all the circuits are complete. On the other hand when the level of ink is relatively low only the longer first and second pins 121, 122 are immersed in ink and therefore a circuit is completed only between those two. A signal indicative of the measured level of ink is sent to the control system, which can then take a decision on whether more ink should be delivered into the tank 15. It is to be appreciated that other forms of ink level sensing devices may be used to the same effect.

In operation, ink and solvent returning into the tank from the return line 32 may cause turbulence, particularly at the surface of the ink 14, such that foam of bubbles is formed on the surface of the ink owing to surfactants present in the ink. It is known that a deflector plate may be used at the outlet of the return line to reduce the

turbulence caused by the returning ink/solvent but this does not always eliminate foam entirely. The presence of the foam can mask the real level of ink in the tank and lead to erroneous readings by the level sensor 120. In order to counteract interference with the correct operation of the level sensor 120, a guard 130 is connected to the lower surface 80b of the feed plate 80 and depends downwards into the tank 15 such that it shields the pins 120-124 from any surface foam generated by incoming ink or solvent. This is illustrated in Figure 4C. The guard 130, shown in detail in Figures 7A-D, comprises a continuous thin wall made from, for example, a porous polypropylene material that has an upper end 130a with an integral laterally extending flange 131 for connecting to the feed plate 80 and a lower end 132 that, in use, is proximate to the base wall 75 of the tank 15. The wall tapers inwardly between its upper and lower end 130a, 130b and surrounds the pins 120-124 such that the ink within its confines is maintained substantially free of foam and a correct level reading can therefore be determined. It will be appreciated that the guard 130 may be used with any form of level sensor that depends upon immersion within the ink in the tank and that the wall may be manufactured from any suitable material, porous or otherwise.

The mixer tank 15 is shown in more detail in Figures 8 to 10. The base wall 75 of the tank 15 has a generally planar upper surface that is interrupted by a recess that defines a small, shallow well 151 in one corner 152. The well 151 is substantially square in the embodiment shown but it will be readily appreciated that any suitable shape may be adopted. The rest of the base wall 75 is inclined downwardly from the opposite corner 153 to the well 151 such that, in use, any residual ink remaining in the bottom of an otherwise empty tank will collect in the well 151 at the bottom of the incline. The inclination will be evident from an inspection of Figures 8 and 10. In the embodiment shown the base wall is inclined downwardly in two orthogonal directions as represented by arrows A and B in Figures 9 and 10. The base wall 75 is supported on its underside by a plurality of tapering ribs 154, 155 that provide strength and rigidity. A first set of three spaced parallel ribs 154 extend in a first direction and a second set of three spaced parallel ribs 155 extend in a second direction which is perpendicular to the first direction.

It will be appreciated that as an alternative to the base wall itself being inclined it may be sufficient for just the upper surface to be inclined relative to a lower surface of the wall.

When the manifold block 79 is mounted on the tank 15 the tube 150 that depends from the take up pipe 111 of the filter and module 100 is positioned such that its end extends into the well 151. Alternatively the take up pipe 111 may extend directly into the well 151 without the need for a separate tube 150. Thus, in circumstances when volume of ink in the tank 15 approaches empty, the system pump 16 is able to draw on the residue ink that has collected in the well 151. This ensures that very little of the available ink in the tank 15 is wasted and that the supply of ink is not interrupted until the last possible moment.

Figure 11 shows an assembled core module 200. The module 200 is part of the ink supply system 10. As previously described, the core module 200 preferably contains such components as the filter module 100, the ink reservoir/mixer tank 15, system pump 16, solvent filter 43, and so forth. Disposed on the surface of the module 200 is a connection manifold 202. As also shown in Figure 12, connection manifold 202 includes a plurality of connection ports 204, which are in fluid communication with manifold block 79 (as shown in Figure 2A). Connection manifold 202 is adapted to be connected with the ink jet printer 8 to provide ink, solvent, and so forth to the printer 8. Ports 204 may be located on a single surface 206 of the module 200.

Figure 13 shows a connector 220 of printer 8 that is configured for connection to manifold 200 to provide fluid communication between the module 200 and the printer 8. Connector 220 includes barbs 222, 224, 226 configured for connection to feed lines (not shown) of the ink jet printer 8. Additionally, openings 232, 234 of connector 220 are configured for connection to connection ports 204 of manifold 202. Although a particular configuration of ports, barbs, and openings is shown in the figures, other suitable configurations are possible. The configuration of connection ports 204 and connector 220 is preferably such that connector 220 is easily connected to the connection ports 204 of manifold 202 in an easy, one-step connection.

The core module 200 may be connected to an ink jet printer 8 (as schematically shown in Figure 1) as follows. The printer connector 220 is connected to the manifold

202 to provide fluid communication of ink between the module components and the ink jet printer 8. An electrical connection (not shown) between the module 200 and the ink jet printer 8 may also be provided. The electrical connection may be any suitable connection, but preferably includes electrical wires with a socket connection. The ink jet printer 8 may include a receiving bay (not shown) disposed in cabinet 13. The core module 200 may be disposed in the receiving bay of the cabinet 13 while the printer is in use.

In particular, in one embodiment, the core module 200 is capable of being operably connected to the ink jet printer 8, to provide ink filtration and a fluid reservoir for the ink jet printer 8, in no more than three steps. The three steps include disposing the module 200 adjacent to the printer 8 (such as within the printer cabinet 13); providing an electrical connection between the module 200 and the printer 8; and connecting the connector 220 to the manifold 202. The electrical connection may include a plurality of wires with a socket connection between the printer 8 and the core module 200, thus providing all electrical connections within a single connection.

The fluid communication into and out of the module 200 between the ink circuit and the ink jet printer 8 may be solely provided through the plurality of connection ports 204. In particular, the connection between manifold 202 and connector 220 provides all the fluid communication between module 200 and ink jet printer 8, without the need for additional connections. This arrangement greatly simplifies the process of installing and replacing the module 200.

The configuration of the manifold block and in particular the channels defined at the interface between the manifold plate and the feed plate obviates the need for many pipes, tubes, hoses or the like that interconnect the components of the ink supply system. The arrangement is thus much simpler to assemble thus reducing the time associated with building the system and the likelihood of errors occurring. In general, the area inside the cabinet is much tidier such that it is easier to access individual components. The manifold block also eliminates connectors associated with such pipes, which are potential sources of leaks. The reliability of the system is therefore improved thus reducing servicing requirements.

The general structure of the manifold block provides for a compact arrangement.

It will be appreciated that numerous modifications to the above described design may be made without departing from the scope of the invention as defined in the appended claims. For example, the particular arrangement of the components in the ink circuit may vary. Moreover, the particular manner in which the components connect to the ports of the manifold block may vary but since they are adjacent to the manifold they can connect to the ports in such a way that eliminates the need for pipes and hoses extending between them.

The described and illustrated embodiments are to be considered as illustrative and not restrictive in character, it being understood that only the preferred embodiments have been shown and described and that all changes and modifications that come within the scope of the inventions as defined in the claims are desired to be protected. It should be understood that while the use of words such as “preferable”, “preferably”, “preferred” or “more preferred” in the description suggest that a feature so described may be desirable, it may nevertheless not be necessary and embodiments lacking such a feature may be contemplated as within the scope of the invention as defined in the appended claims. In relation to the claims, it is intended that when words such as “a,” “an,” “at least one,” or “at least one portion” are used to preface a feature there is no intention to limit the claim to only one such feature unless specifically stated to the contrary in the claim. When the language “at least a portion” and/or “a portion” is used the item can include a portion and/or the entire item unless specifically stated to the contrary.

**CLAIMS**

1. An ink supply system for an ink jet printer, the system comprising:
  - an ink circuit comprising a plurality of circuit components and fluid paths for conveying fluid between components;
  - an ink reservoir for containing ink;
  - a connector for fluid connection between the printer and the ink reservoir, the connector comprising a plurality of connection ports; and
  - a manifold defining in part the fluid paths and supported over the reservoir, the manifold in fluid communication between the connector and the ink reservoir, the manifold having a plurality of manifold ports in fluid communication with the connection ports, and the circuit components being adjacent to the manifold and connected thereto at the manifold ports.
2. An ink supply system according to claim 1, wherein the components are supported on the manifold.
3. An ink supply system according to claim 1 or 2, wherein the manifold is supported on the ink reservoir.
4. An ink supply system according to claim 3, wherein the reservoir has at least one wall and the manifold is supported on the at least one wall.
5. An ink supply system according to claim 4, wherein the reservoir has a base wall and at least one side wall upstanding from the base wall, the side wall having a free end distal from the base, the manifold being supported on the free end.
6. An ink supply system according to claim 4 or 5, wherein the manifold has a flange by which it is supported on the wall.

7. An ink supply system according to claim 6, wherein fixings are provided for connecting the flange to the at least one wall.
8. An ink supply system according to claim 5, 6 or 7, wherein the at least one side wall of the reservoir defines an open mouth, the manifold being at least partially disposed in the mouth.
9. An ink supply system according to claim 8, wherein the manifold closes the mouth.
10. An ink supply system according to any one of claims 1 to 9, wherein the manifold has a lower surface facing the reservoir and an opposite upper surface.
11. An ink supply system according to claim 10, wherein at least one of the plurality of components is connected to the lower surface and is disposed in the reservoir.
12. An ink supply system according to claim 11, wherein the at least one of the plurality of components is an ink filter assembly.
13. An ink supply system according to claim 12, wherein the ink filter assembly has an inlet conduit that depends into the reservoir.
14. An ink supply system according to any one of claims 10 to 13, wherein at least one of the plurality of components is connected to the upper surface.
15. An ink supply system according to claim 14, wherein the at least one of the plurality of components connected to the upper surface is a pump for pumping ink around the circuit.

16. An ink supply system according to any preceding claim, wherein at least one of the manifold ports has a spigot for connection to a component.
17. An ink supply system according to claim 16, wherein the spigot is received in an inlet or outlet aperture of the component.
18. An ink supply system according to any one of claims 1 to 17, wherein the manifold comprises first and second members connected together at interfacing first surfaces.
19. An ink supply system according to claim 18, wherein the first and second members are plate-like.
20. An ink supply system according to claim 18 or 19, wherein the second member is disposed in the reservoir.
21. An ink supply system according to any preceding claim, further comprising at least one replaceable container of ink connected to the manifold or the reservoir.
22. An ink supply system according to any preceding claim, further comprising at least one replaceable container of solvent connected to the manifold or the reservoir.
23. An ink supply system according to any preceding claim, wherein the manifold has a level sensor that, in use, senses the level of ink present in the reservoir.
24. An ink supply system according to claim 18, 19 or 20 wherein an ink level sensor is connected to the first member and passes through an opening in the second member and into the reservoir.

25. An ink supply system according to any preceding claim wherein the plurality of components comprise fluid handling devices.
26. An ink jet printer comprising a print head for generating ink drops for printing on a substrate and an ink supply system according to any preceding claim.
27. An ink jet printer according to claim 26, wherein the printer is of the continuous type in which there is provided a catcher at the print head for receiving unused drops of ink generated and an ink return path for returning ink to the ink supply system.

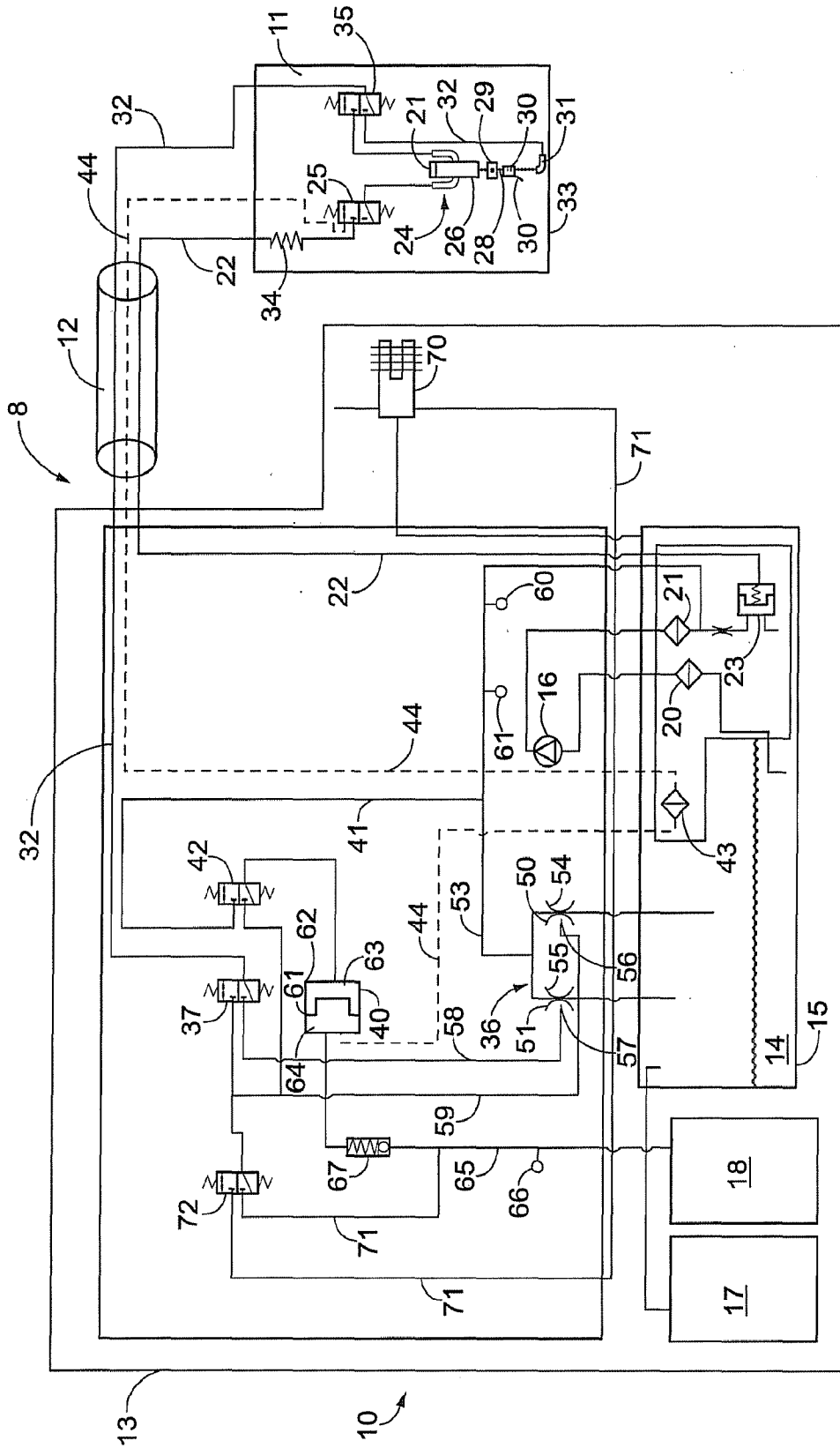


FIG. 1

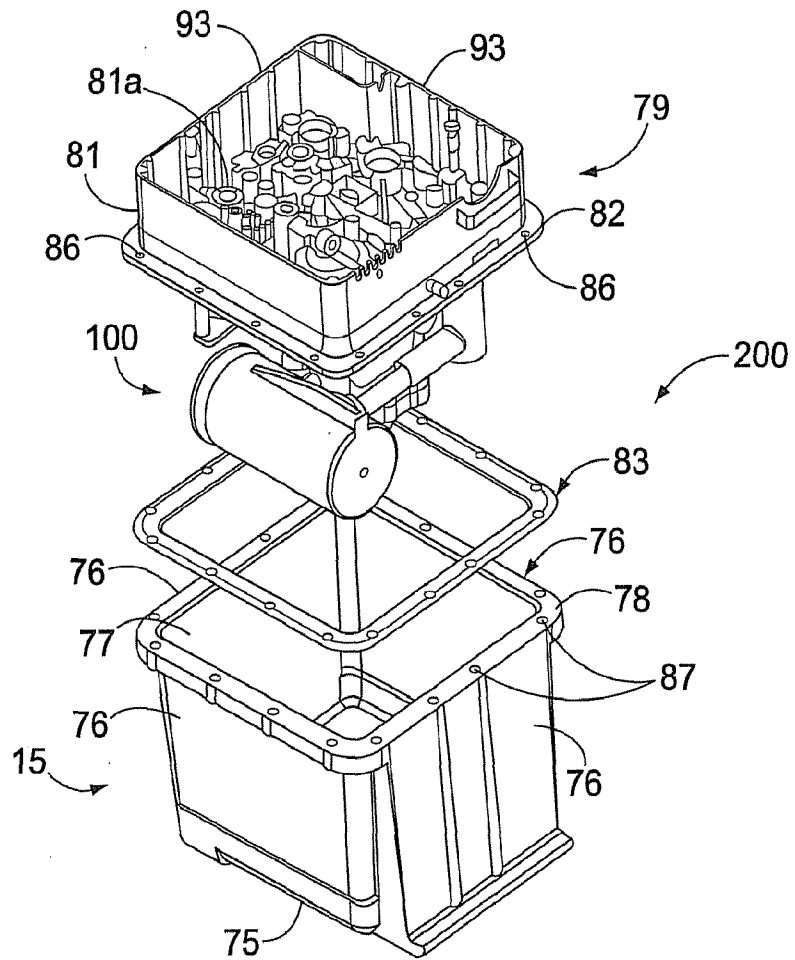


FIG. 2A

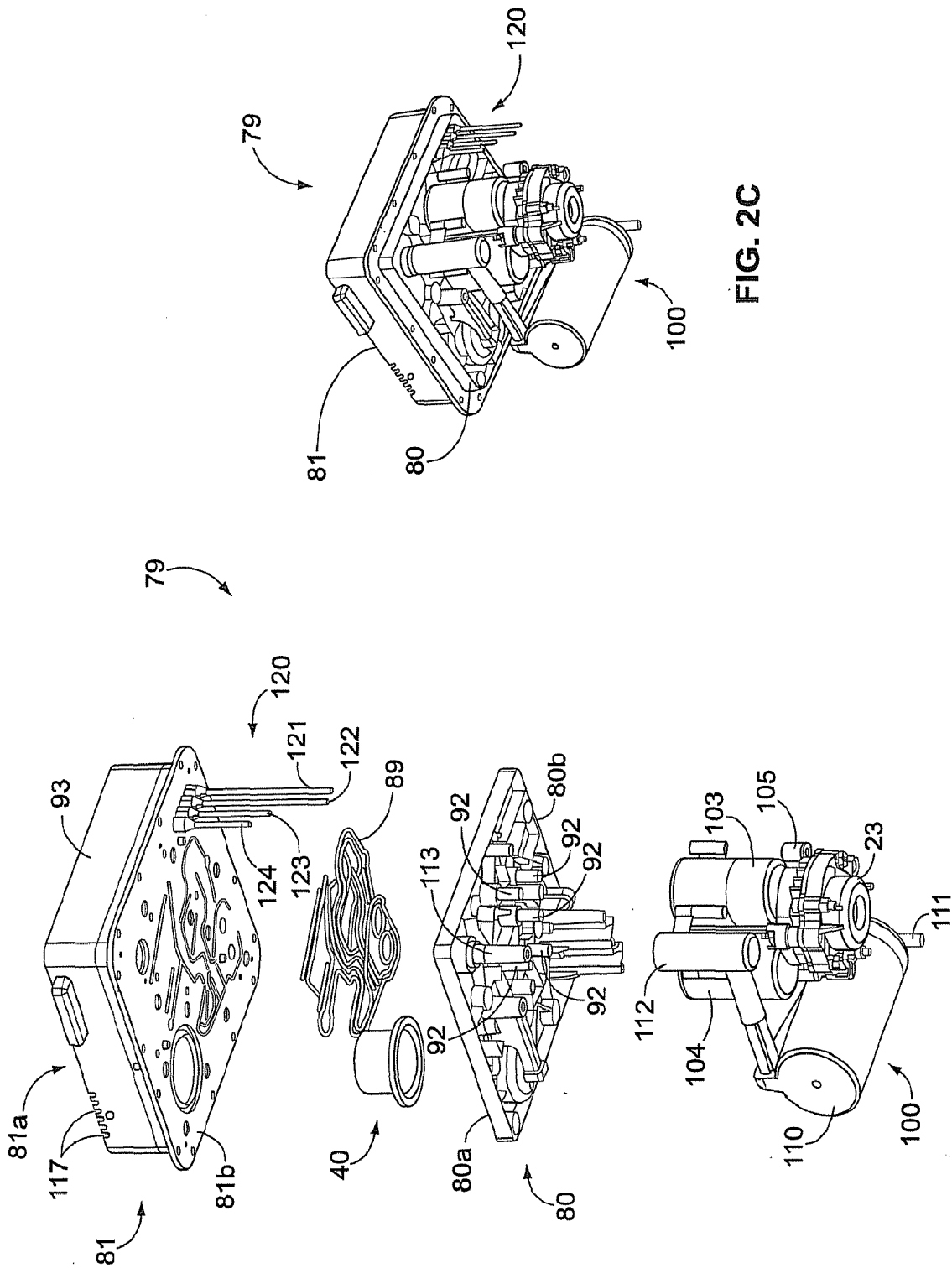


FIG. 2C

FIG. 2B

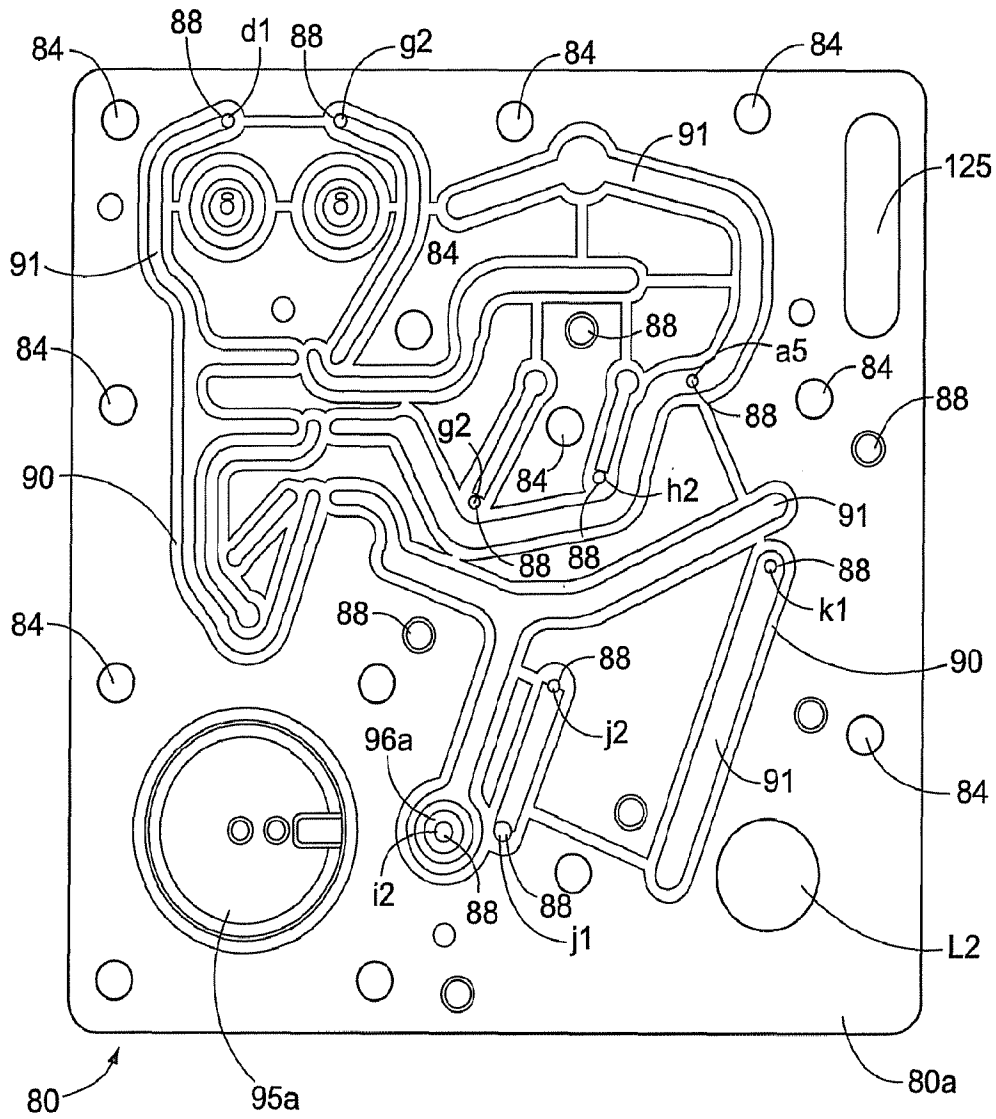


FIG. 3A

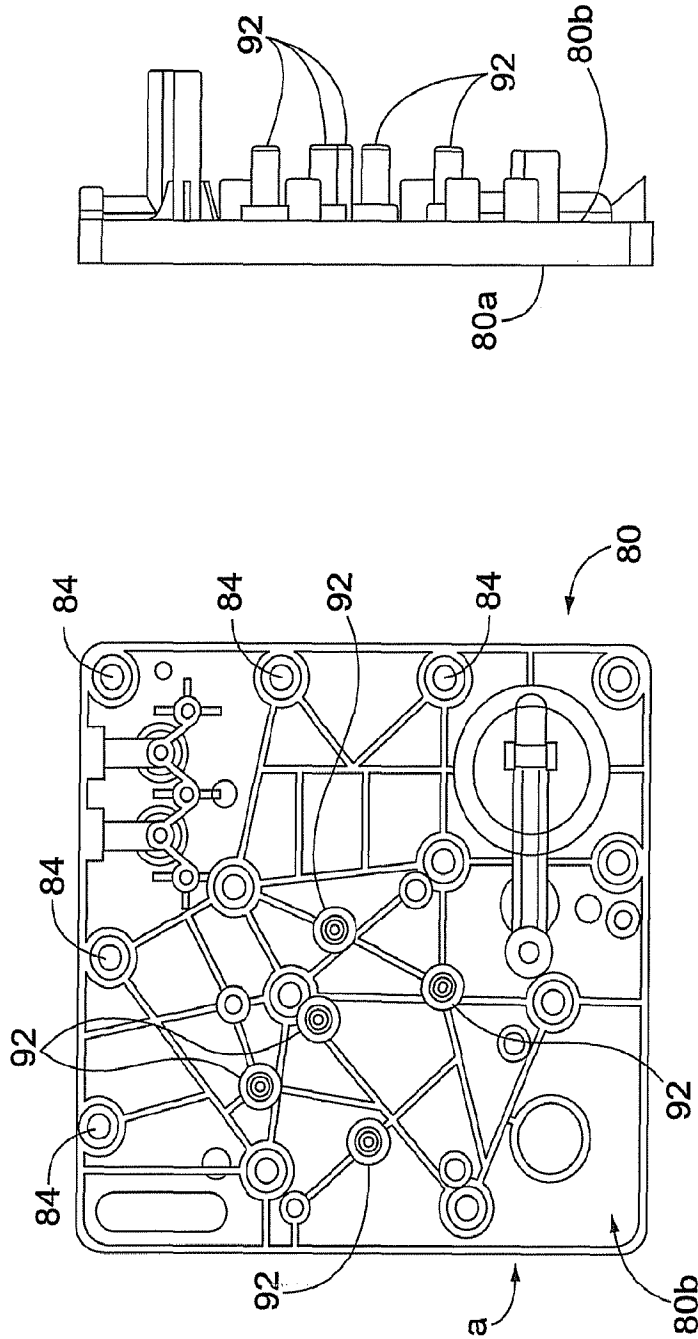


FIG. 3C

FIG. 3B

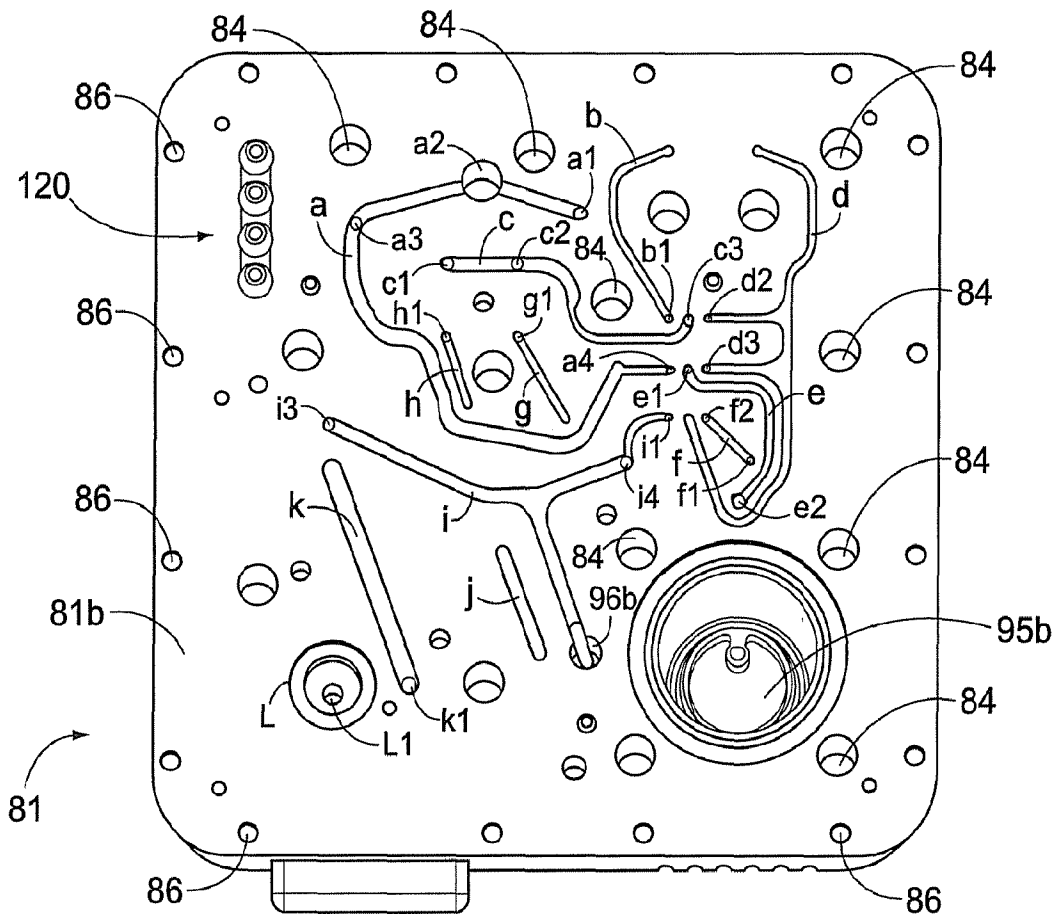


FIG. 4A

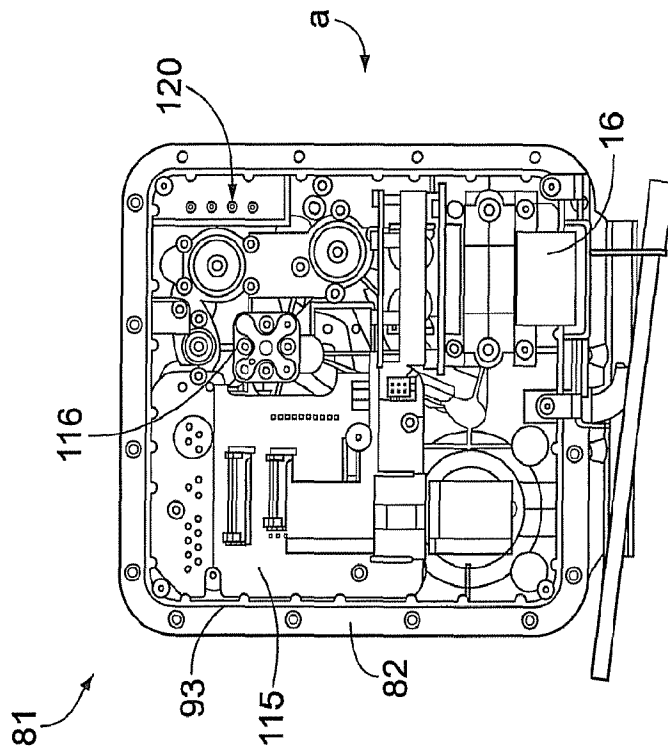


FIG. 4B

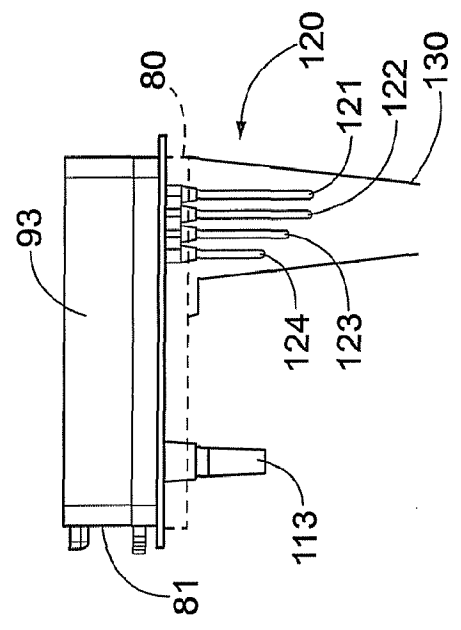


FIG. 4C

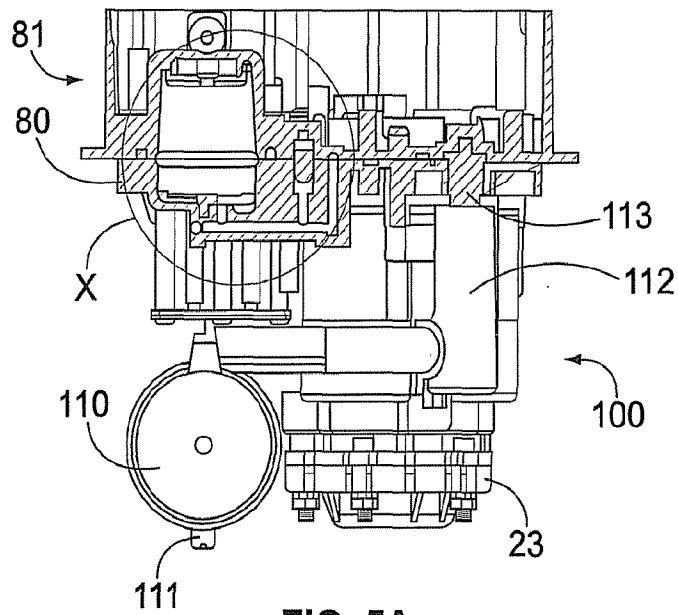


FIG. 5A

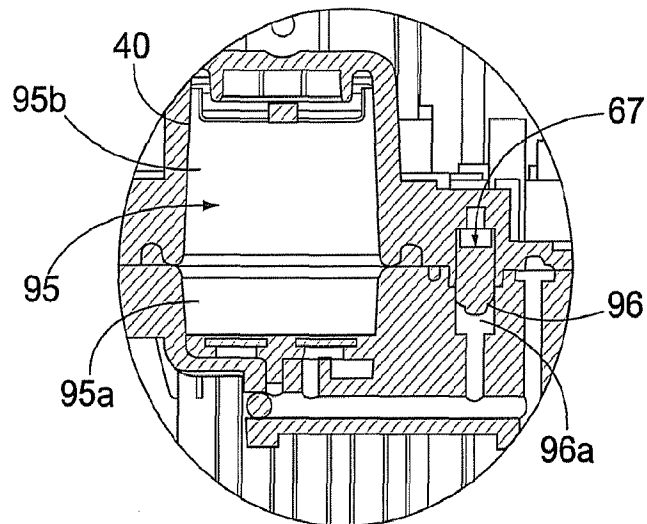


FIG. 5B

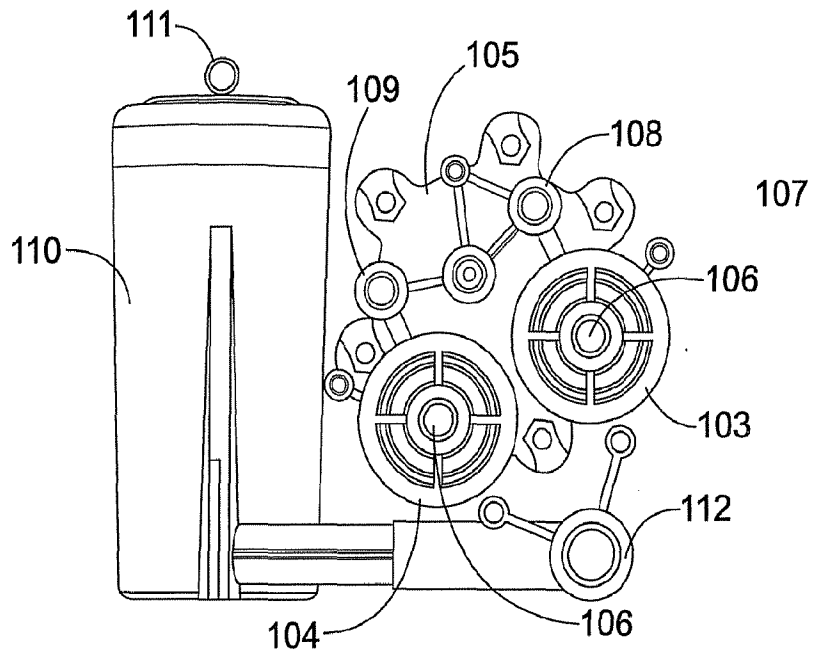


FIG. 6A

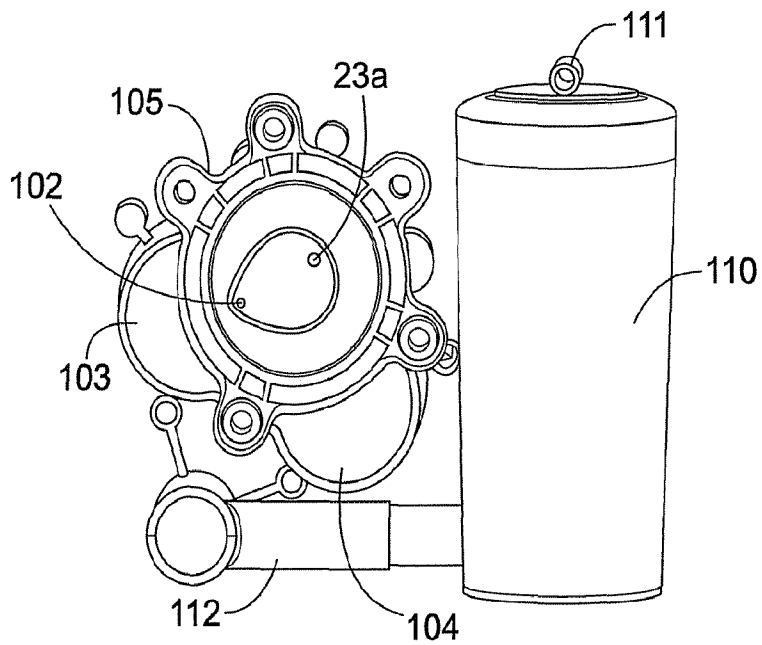


FIG. 6B

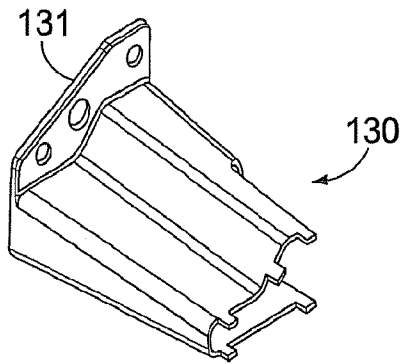


FIG. 7A

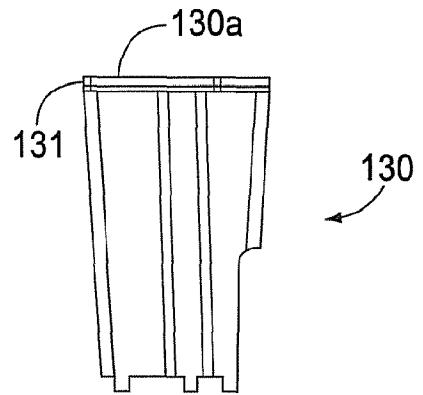


FIG. 7B

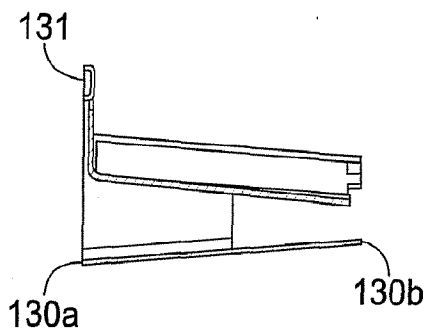


FIG. 7C

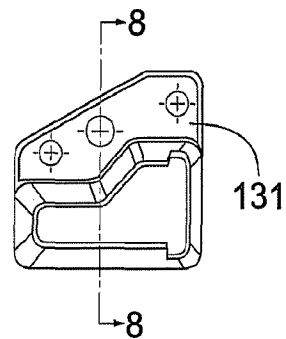


FIG. 7D

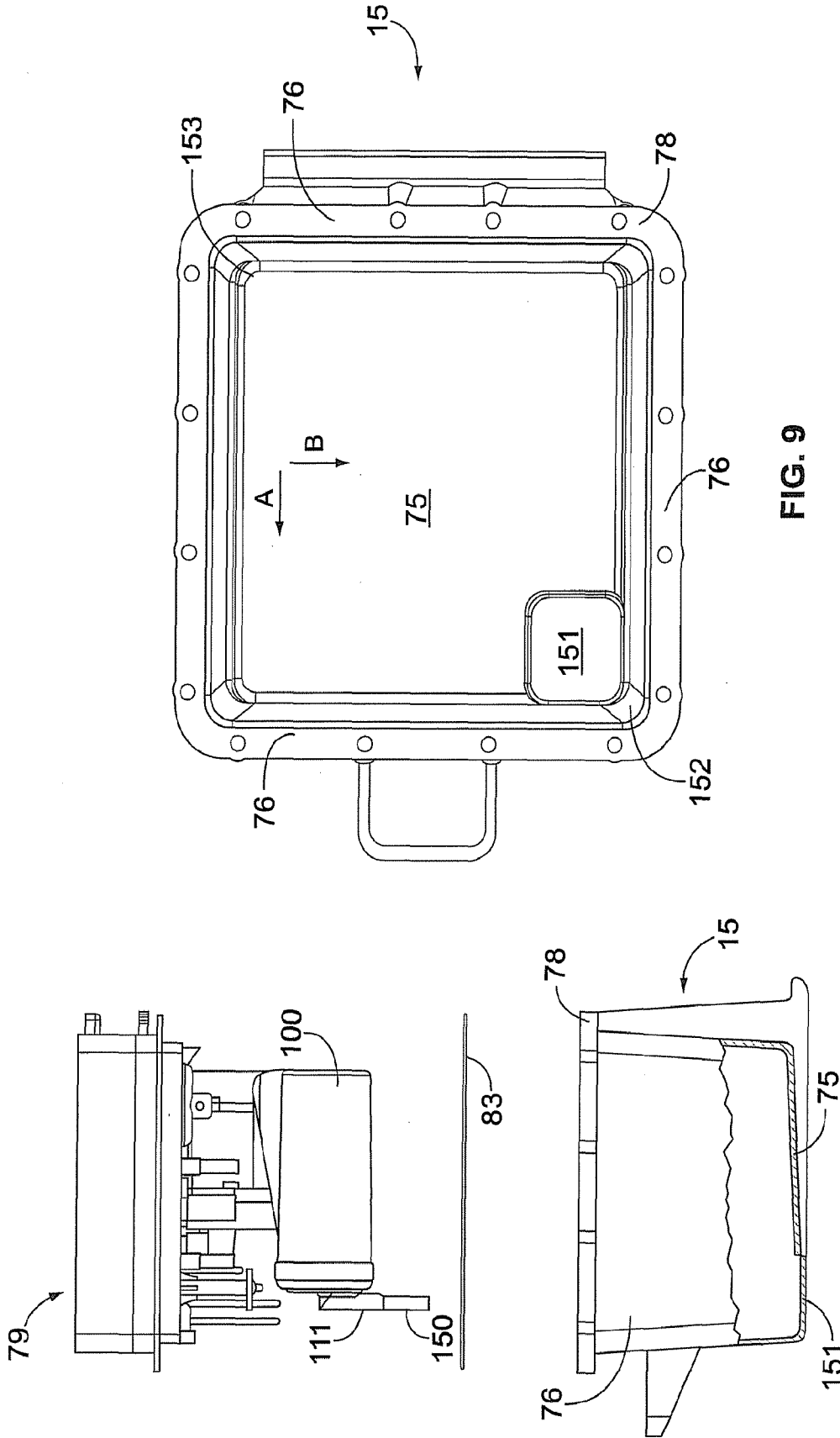


FIG. 9

FIG. 8

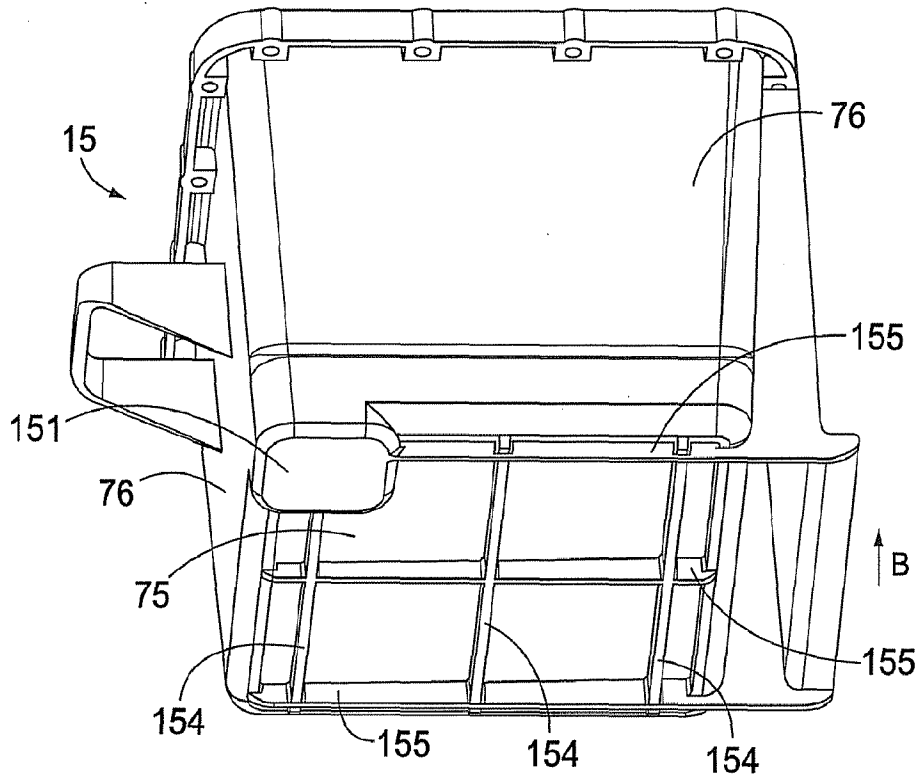


FIG. 10

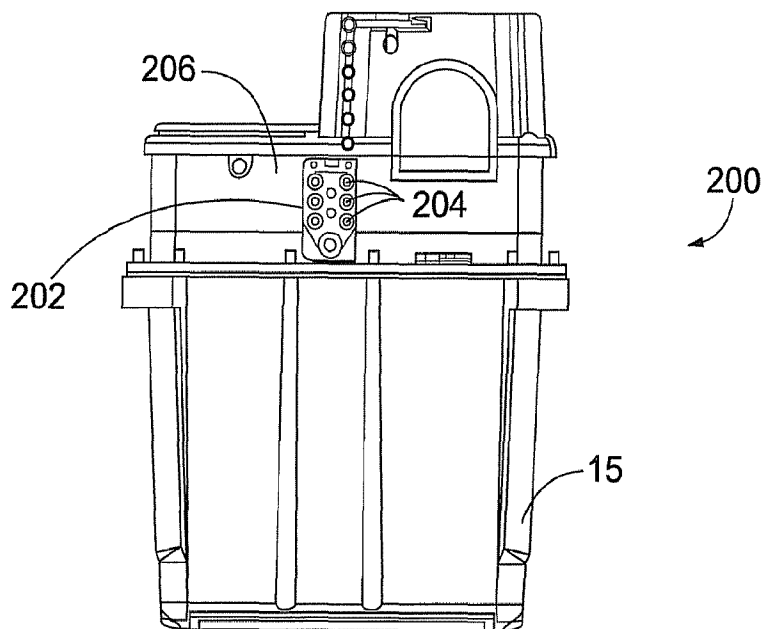


FIG. 11

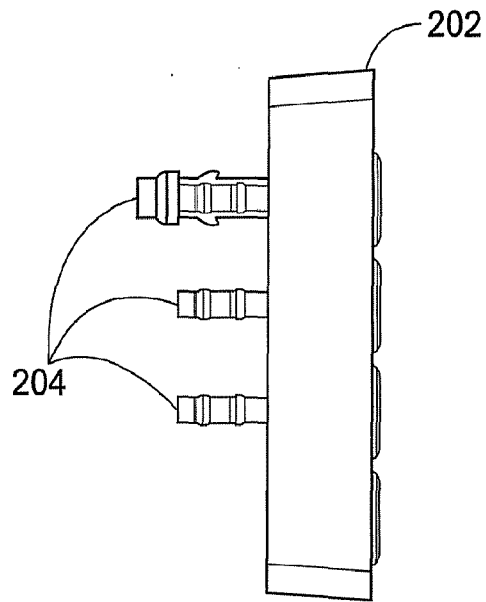


FIG. 12

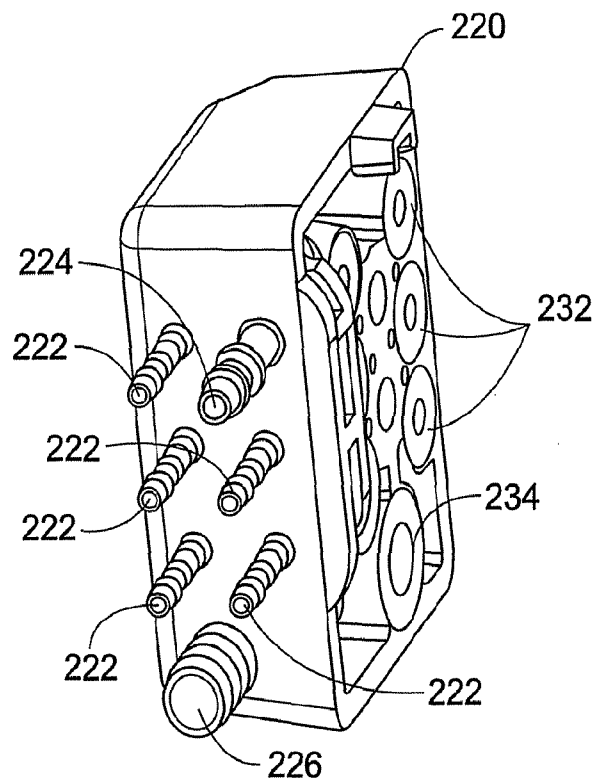


FIG. 13

# INTERNATIONAL SEARCH REPORT

International application No.  
PCT/US2008/079503

**A. CLASSIFICATION OF SUBJECT MATTER**  
 IPC(8) - B41J 2/175 (2008.04)  
 USPC - 347/85  
 According to International Patent Classification (IPC) or to both national classification and IPC

**B. FIELDS SEARCHED**  
 Minimum documentation searched (classification system followed by classification symbols)  
 IPC(8) - B41J 2/175 (2008.04)  
 USPC - 347/85-87

Documentation searched other than minimum documentation to the extent that such documents are included in the fields searched

Electronic data base consulted during the international search (name of data base and, where practicable, search terms used)  
 PatBase, GoogleScholar

**C. DOCUMENTS CONSIDERED TO BE RELEVANT**

Category*	Citation of document, with indication, where appropriate, of the relevant passages	Relevant to claim No.
X	US 6,257,699 B1 (TRACY et al) 10 July 2001 (10.07.2001) entire document	1-5

Further documents are listed in the continuation of Box C.

- \* Special categories of cited documents:
- |   |   |
|---|---|
| <p>“A” document defining the general state of the art which is not considered to be of particular relevance</p> <p>“E” earlier application or patent but published on or after the international filing date</p> <p>“L” document which may throw doubts on priority claim(s) or which is cited to establish the publication date of another citation or other special reason (as specified)</p> <p>“O” document referring to an oral disclosure, use, exhibition or other means</p> <p>“P” document published prior to the international filing date but later than the priority date claimed</p> | <p>“T” later document published after the international filing date or priority date and not in conflict with the application but cited to understand the principle or theory underlying the invention</p> <p>“X” document of particular relevance; the claimed invention cannot be considered novel or cannot be considered to involve an inventive step when the document is taken alone</p> <p>“Y” document of particular relevance; the claimed invention cannot be considered to involve an inventive step when the document is combined with one or more other such documents, such combination being obvious to a person skilled in the art</p> <p>“&amp;” document member of the same patent family</p> |
|---|---|

Date of the actual completion of the international search 30 November 2008	Date of mailing of the international search report <b>08 DEC 2008</b>
---	--

Name and mailing address of the ISA/US Mail Stop PCT, Attn: ISA/US, Commissioner for Patents P.O. Box 1450, Alexandria, Virginia 22313-1450 Facsimile No. 571-273-3201	Authorized officer: Blaine R. Copenheaver PCT Helpdesk: 571-272-4300 PCT OSP: 571-272-7774
---	---

# INTERNATIONAL SEARCH REPORT

International application No.

PCT/US2008/079503

## Box No. II Observations where certain claims were found unsearchable (Continuation of item 2 of first sheet)

This international search report has not been established in respect of certain claims under Article 17(2)(a) for the following reasons:

1.  Claims Nos.:  
because they relate to subject matter not required to be searched by this Authority, namely:
  
2.  Claims Nos.:  
because they relate to parts of the international application that do not comply with the prescribed requirements to such an extent that no meaningful international search can be carried out, specifically:
  
3.  Claims Nos.: 6-27  
because they are dependent claims and are not drafted in accordance with the second and third sentences of Rule 6.4(a).

## Box No. III Observations where unity of invention is lacking (Continuation of item 3 of first sheet)

This International Searching Authority found multiple inventions in this international application, as follows:

1.  As all required additional search fees were timely paid by the applicant, this international search report covers all searchable claims.
2.  As all searchable claims could be searched without effort justifying additional fees, this Authority did not invite payment of additional fees.
3.  As only some of the required additional search fees were timely paid by the applicant, this international search report covers only those claims for which fees were paid, specifically claims Nos.:
4.  No required additional search fees were timely paid by the applicant. Consequently, this international search report is restricted to the invention first mentioned in the claims; it is covered by claims Nos.:

- Remark on Protest**
- The additional search fees were accompanied by the applicant's protest and, where applicable, the payment of a protest fee.
  - The additional search fees were accompanied by the applicant's protest but the applicable protest fee was not paid within the time limit specified in the invitation.
  - No protest accompanied the payment of additional search fees.