

United States Patent [19]

Hill et al.

[11] Des. 244,238

[45]** May 10, 1977

[54] **SUPPORT STAND FOR AN OSCILLOSCOPE OR SIMILAR ARTICLE**

[75] Inventors: **James Alexander Hill**, Aloha; **David Ray Hargis**, Hillsboro, both of Oreg.

[73] Assignee: **Tektronix, Inc.**, Beaverton, Oreg.

[**] Term: **14 Years**

[21] Appl. No.: **636,232**

[22] Filed: **Nov. 28, 1975**

[51] Int. Cl. **D6-99**

[52] U.S. Cl. **D6/29**

[58] Field of Search **D6/20-29, D6/18, 85, 182, 183; D10/76, 80**

[56]

References Cited

U.S. PATENT DOCUMENTS

D. 197,072	12/1963	Mitchell	D6/29
D. 198,168	5/1964	Armstrong	D6/29
D. 229,132	11/1973	Uroshevich	D6/29
D. 231,195	4/1974	Reynolds	D6/17 X

Primary Examiner—Bruce W. Dunkins
Attorney, Agent, or Firm—John D. Winkelman

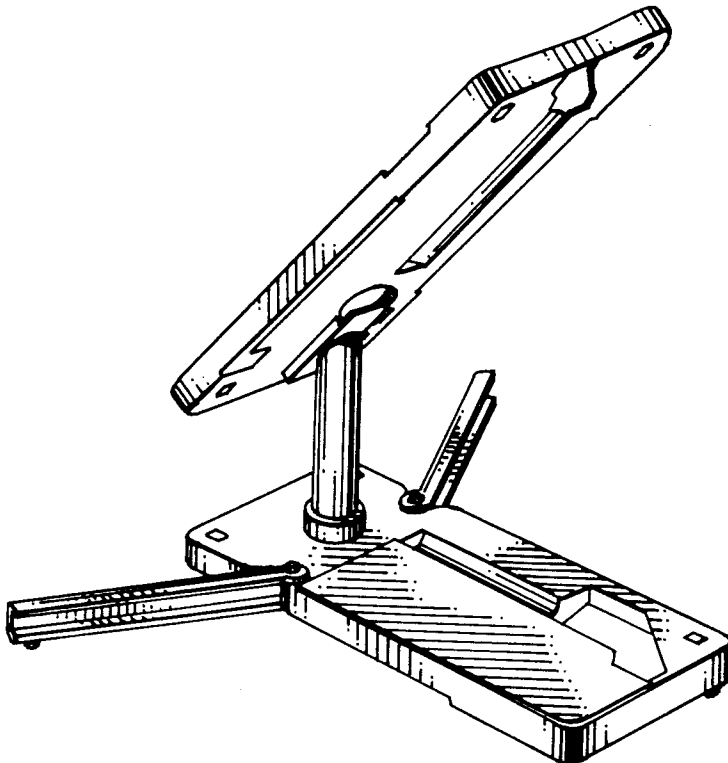
[57]

CLAIM

The ornamental design for a support stand for an oscilloscope or similar article, as shown and described.

DESCRIPTION

FIG. 1 is a perspective view of support stand for an oscilloscope or similar article, showing our new design; FIG. 2 is a front elevation view thereof; FIG. 3 is a top plan view of the stand; FIG. 4 is a rear elevation thereof; FIG. 5 is a bottom plan view of the stand; and FIG. 6 is a side elevation view as seen from the left of FIG. 1.



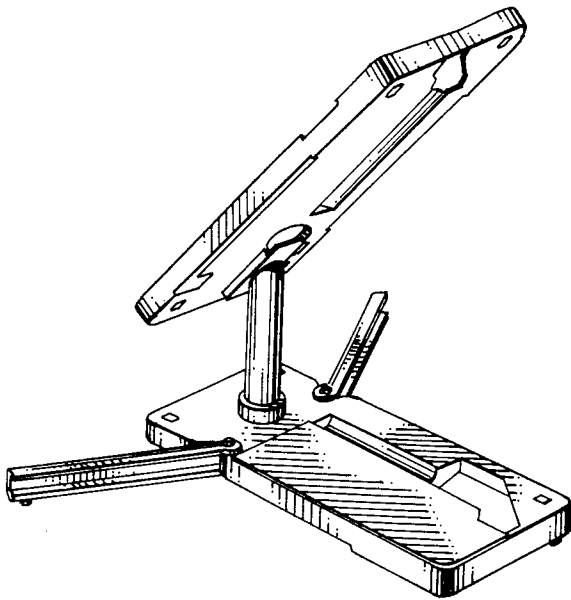


FIG. 1

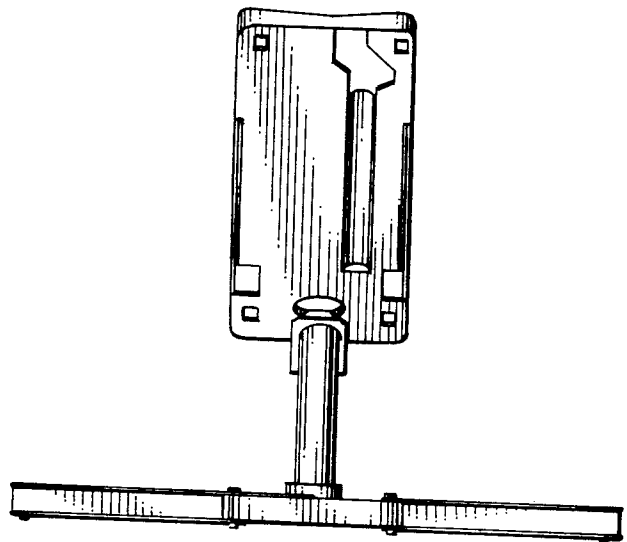


FIG. 2

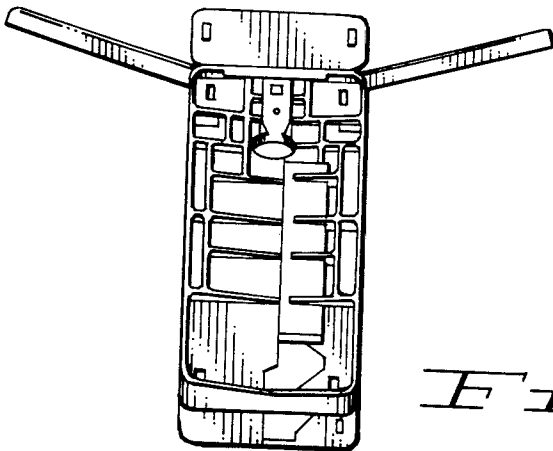


FIG. 3

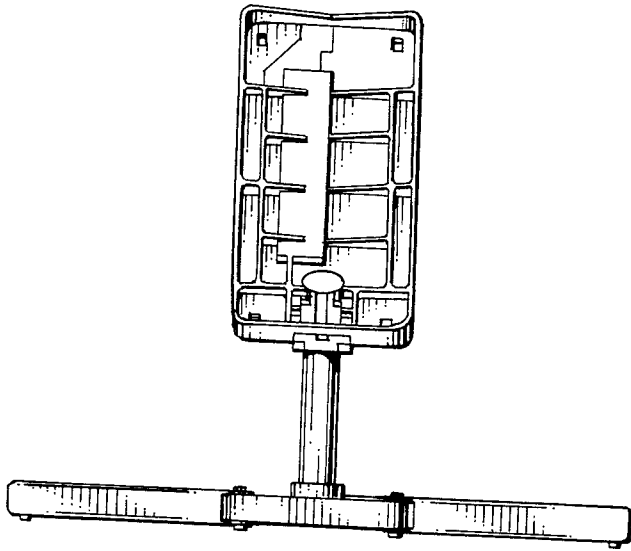


FIG. 4

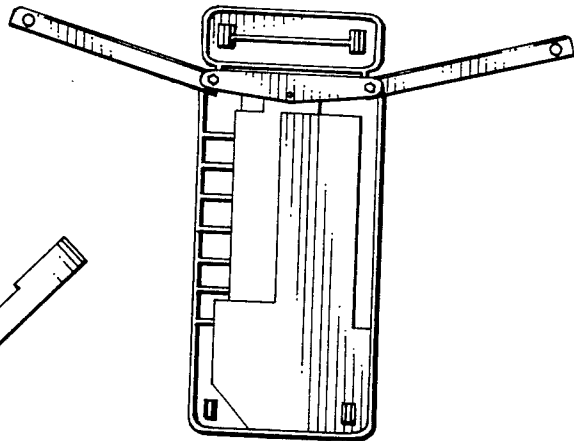


FIG. 5

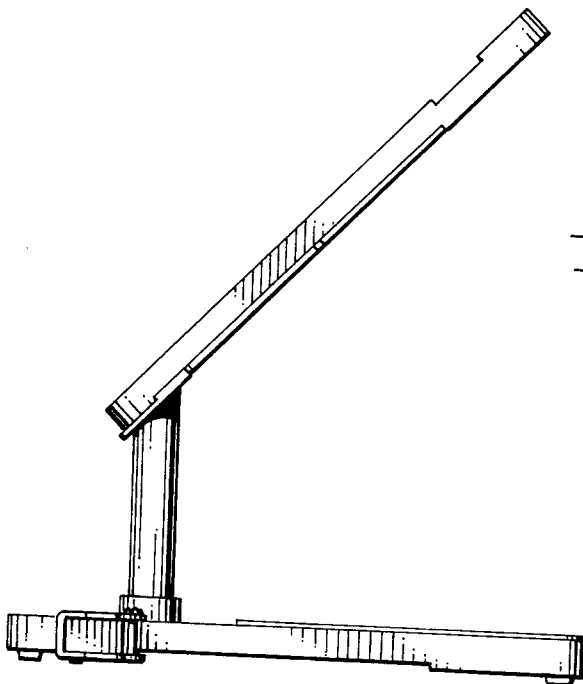


FIG. 6