



US00D744692S

(12) **United States Design Patent**  
**Poulton**

(10) **Patent No.:** **US D744,692 S**

(45) **Date of Patent:** **\*\* Dec. 1, 2015**

(54) **TABLE LAMP**

(71) Applicant: **Artemide S.p.A.**, Milan (IT)

(72) Inventor: **Neil Poulton**, Milan (IT)

(73) Assignee: **ARTEMIDE S.p.A.**, Milan (IT)

(\*\*) Term: **14 Years**

(21) Appl. No.: **29/469,863**

(22) Filed: **Oct. 15, 2013**

(30) **Foreign Application Priority Data**

Apr. 15, 2013 (EM) ..... 002220640-0004

(51) **LOC (10) Cl.** ..... **26-03**

(52) **U.S. Cl.**

USPC ..... **D26/107**

(58) **Field of Classification Search**

USPC ..... D26/24, 93, 106, 107, 108, 110, 112,  
D26/62, 65

CPC ..... F21S 6/00; F21S 6/002; F21S 8/043;  
F21S 8/08; F21V 21/02; F21V 21/116;  
F21W 2131/30; F21Y 2105/00

See application file for complete search history.

(56) **References Cited**

U.S. PATENT DOCUMENTS

D443,382 S *	6/2001	Vong et al. ....	D26/93
D513,088 S *	12/2005	Baarman et al. ....	D26/106
D589,645 S *	3/2009	Citterio .....	D26/107
D619,287 S *	7/2010	Liu .....	D26/62
D648,057 S *	11/2011	Copeland .....	D26/65
D669,627 S *	10/2012	Huang .....	D26/107
D693,516 S *	11/2013	Copeland .....	D26/107
D709,235 S *	7/2014	Chu .....	D26/65

\* cited by examiner

*Primary Examiner* — Brian N Vinson

(74) *Attorney, Agent, or Firm* — Venable LLP; Robert Kinberg

(57) **CLAIM**

I claim the ornamental design for a table lamp, as shown and described.

**DESCRIPTION**

FIG. 1 is a perspective view of a table lamp, showing my new design;  
FIG. 2 is a front view thereof;  
FIG. 3 is a rear view thereof;  
FIG. 4 is a side thereof;  
FIG. 5 is an opposite side view thereof;  
FIG. 6 is a top view thereof; and,  
FIG. 7 is a bottom view thereof.

**1 Claim, 7 Drawing Sheets**

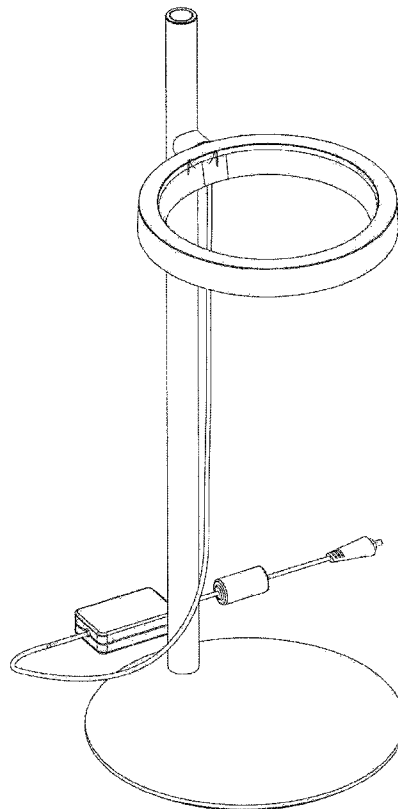


FIG. 1

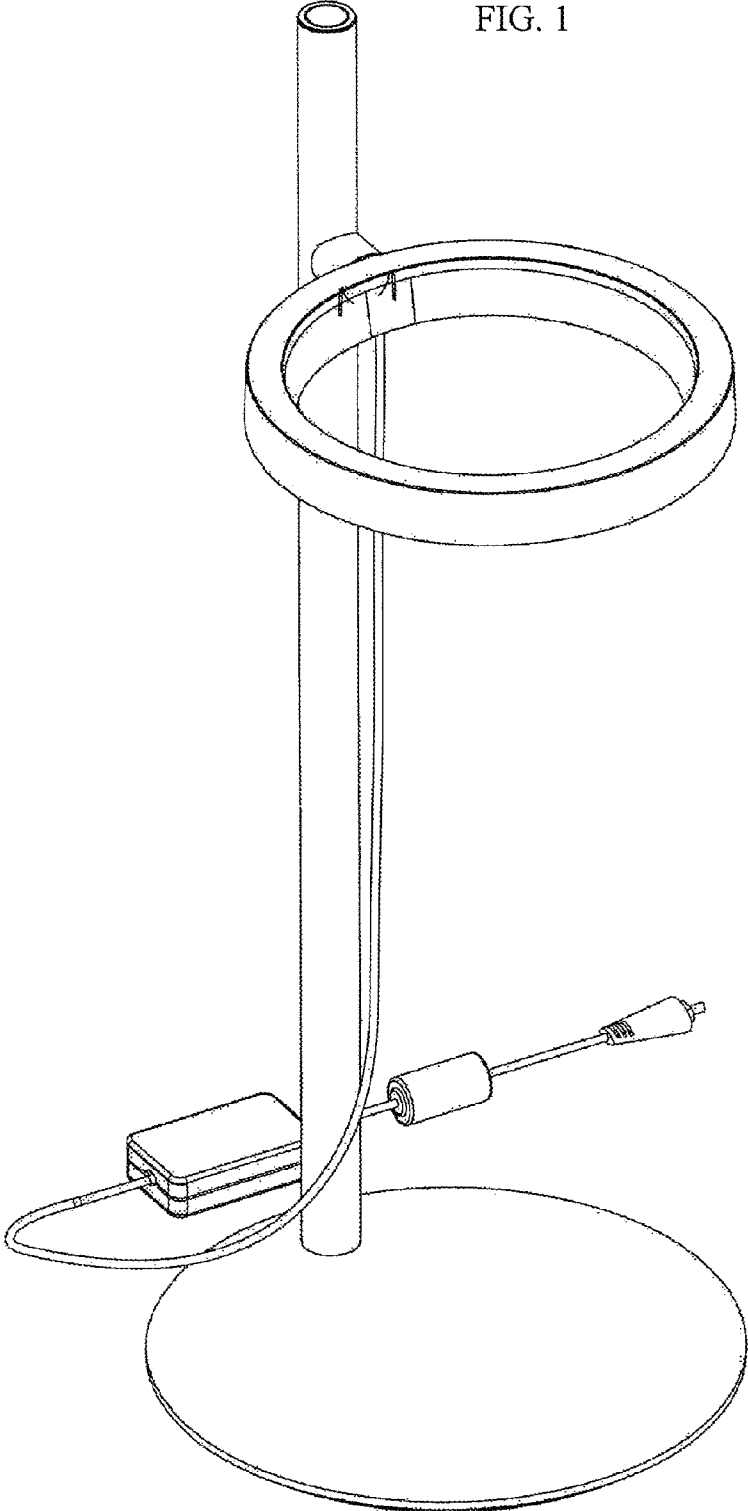


FIG. 2

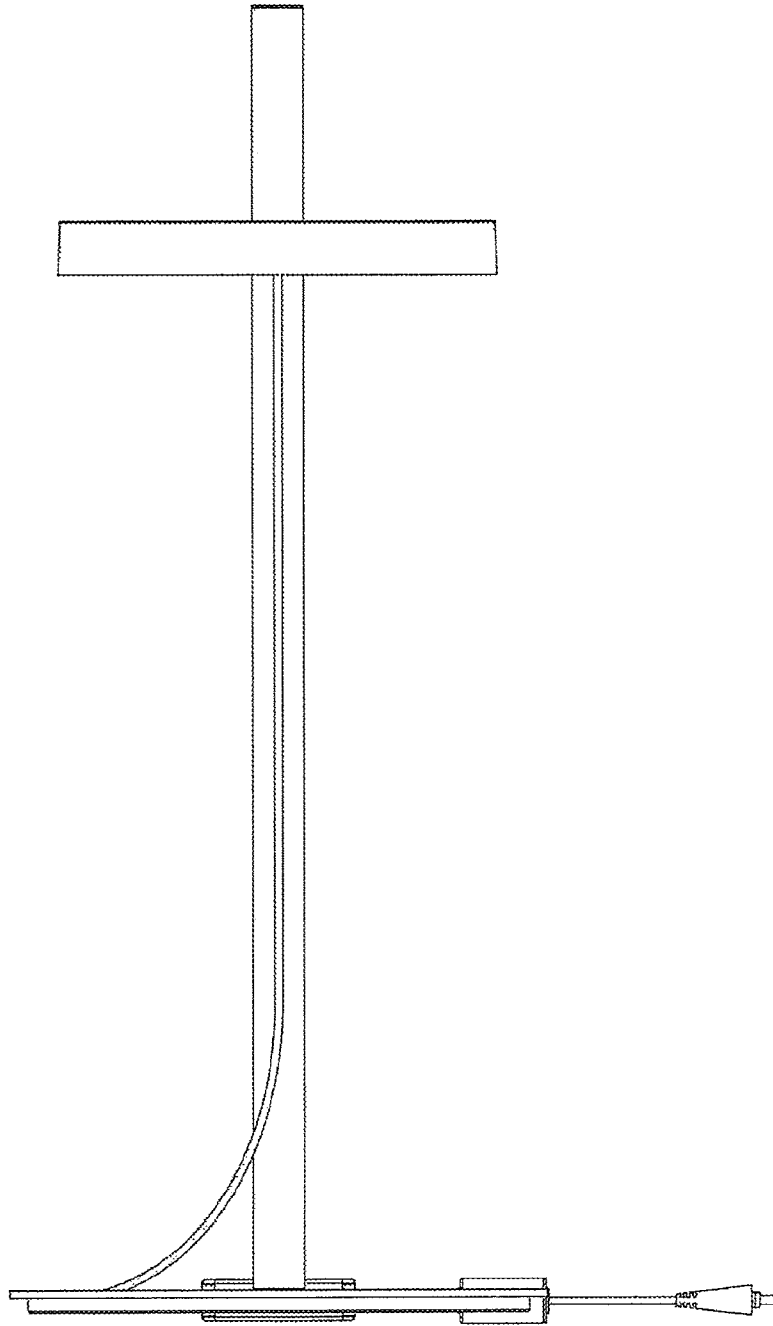


FIG. 3

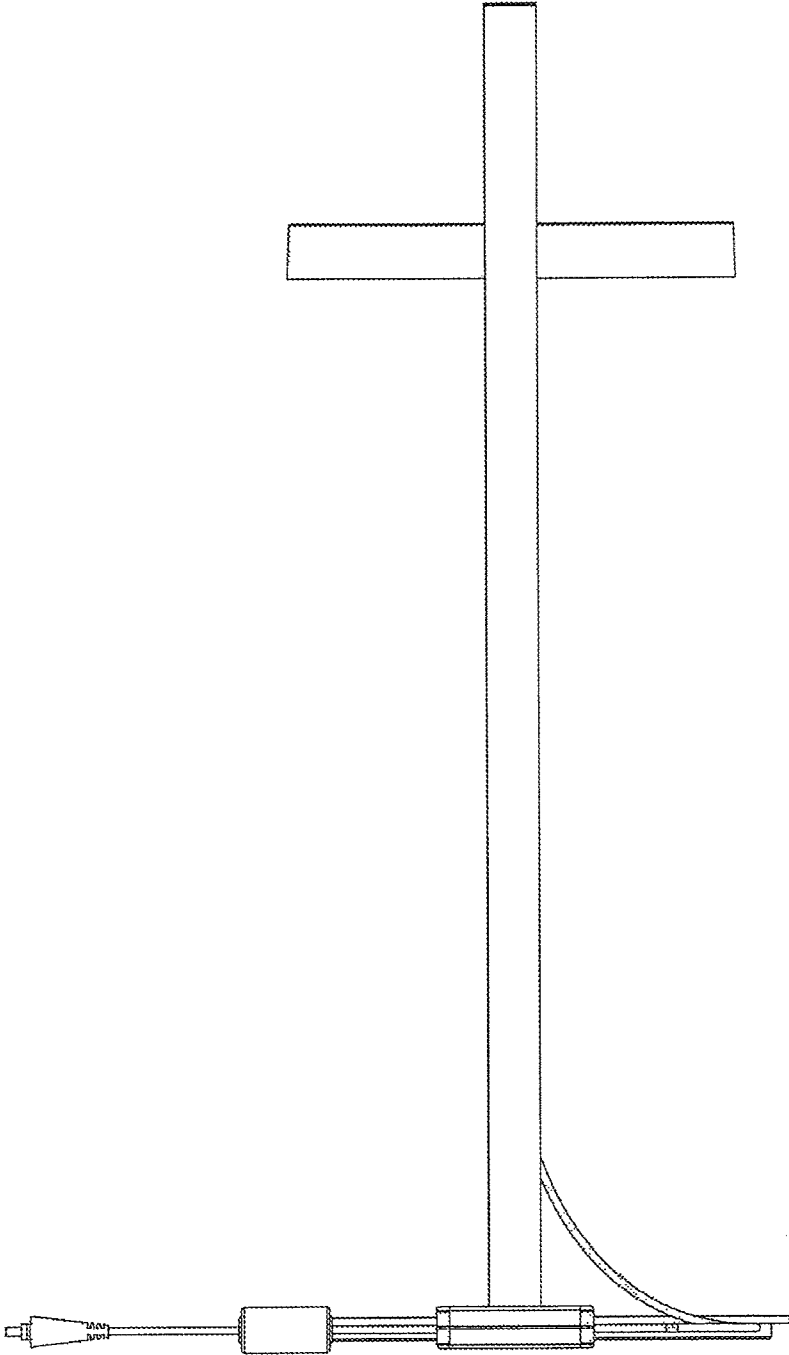


FIG. 4

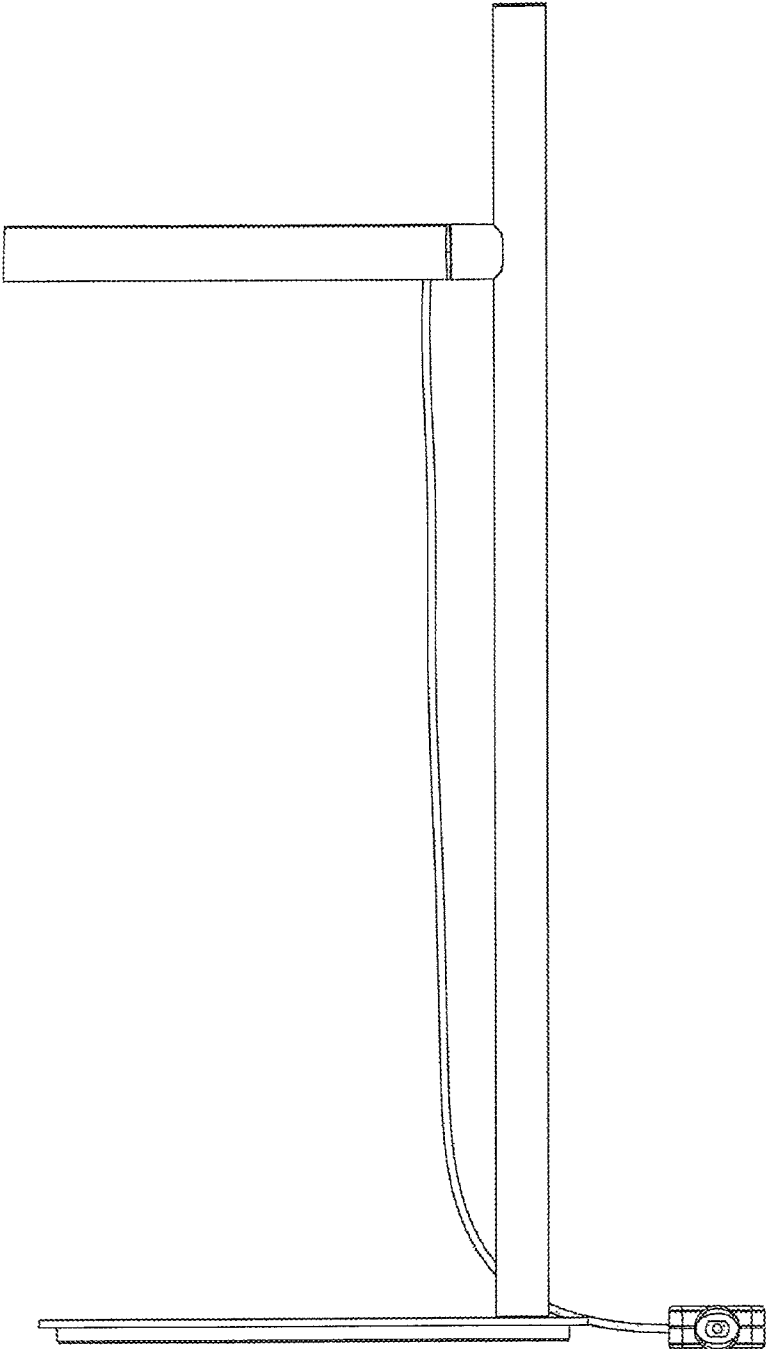


FIG. 5

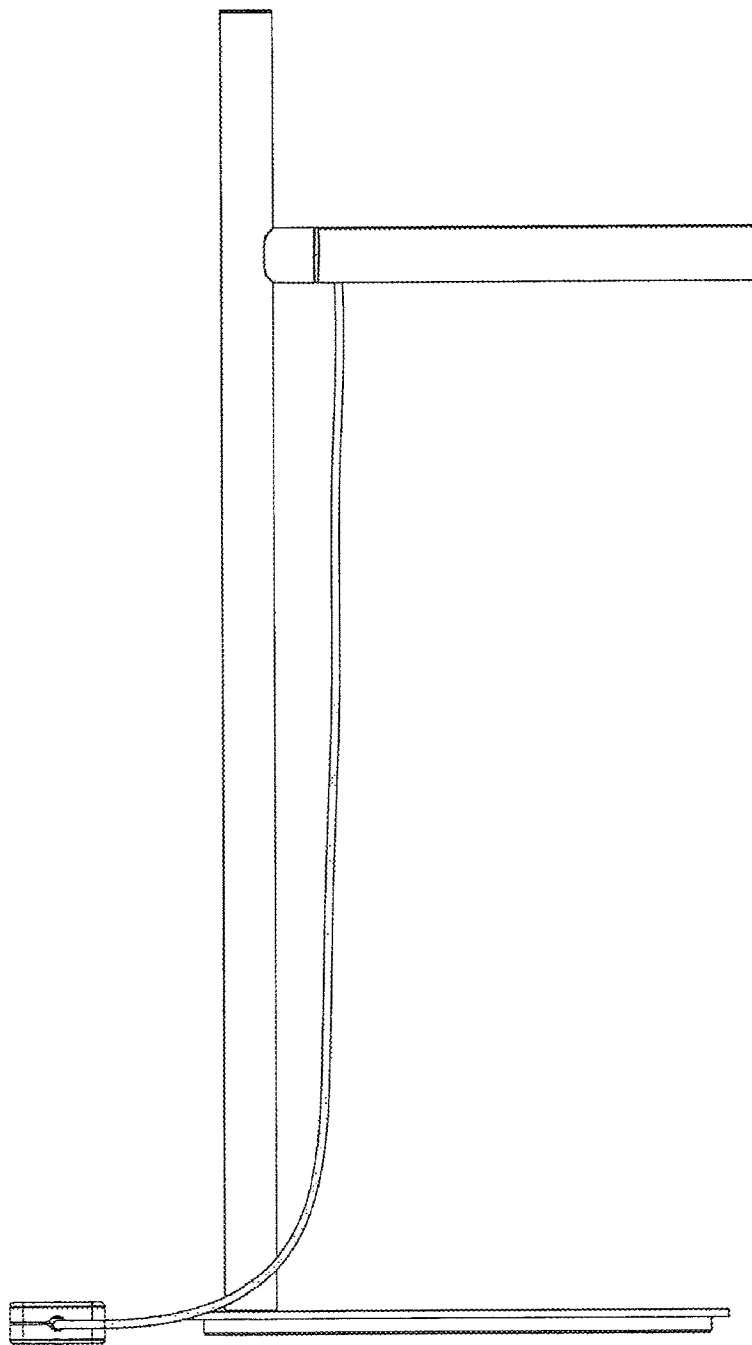


FIG. 6

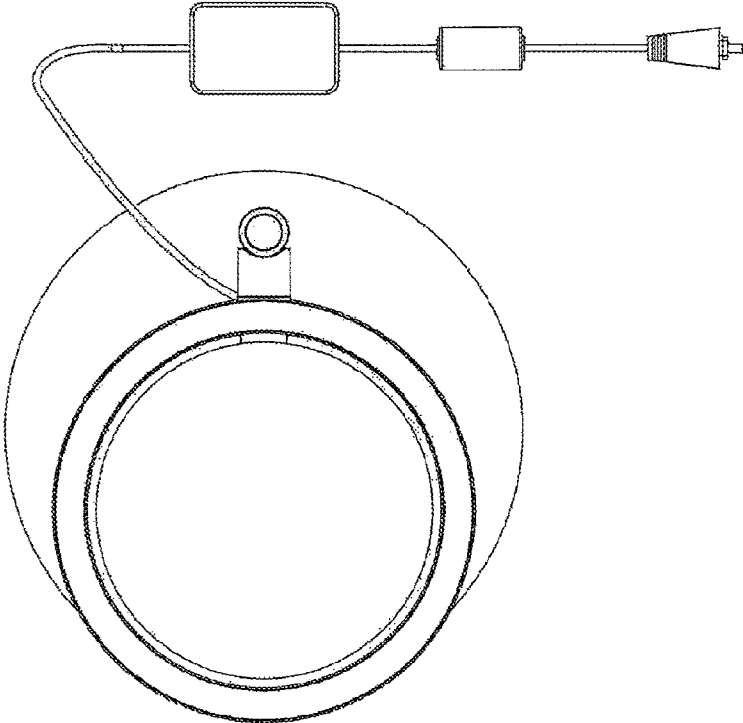


FIG. 7

