



US00D744341S

(12) **United States Design Patent**  
**Prince**

(10) **Patent No.:** **US D744,341 S**

(45) **Date of Patent:** **\*\* Dec. 1, 2015**

(54) **PORTION OF A TRAY FOR JUGS**

FOREIGN PATENT DOCUMENTS

(71) Applicant: **Parmalat Canada Inc.**, Etobicoke (CA)

CA 103676 A 2/1907  
CA 104487 A 4/1907

(72) Inventor: **Sidney Scott Prince**, Hamilton (CA)

(Continued)

(73) Assignee: **Parmalat Canada Inc.**, Etobicoke (CA)

OTHER PUBLICATIONS

(\*\*) Term: **14 Years**

Examiner's Report issued Oct. 14, 2014 in connection with Canadian Patent Application No. 2,837,801, 2 pages.

(21) Appl. No.: **29/477,264**

(Continued)

(22) Filed: **Dec. 20, 2013**

*Primary Examiner* — Robert M Spear

*Assistant Examiner* — Marissa J Cash

(30) **Foreign Application Priority Data**

(74) *Attorney, Agent, or Firm* — Banner & Wifcoff, Ltd.

Oct. 15, 2013 (CA) ..... 153482

(51) **LOC (10) Cl.** ..... **09-07**

(57) **CLAIM**

The ornamental design for a portion of a tray for jugs, as shown and described.

(52) **U.S. Cl.**

**DESCRIPTION**

USPC ..... **D9/456**

(58) **Field of Classification Search**

USPC ..... D11/95, 99; D5/20, 63; D9/737, 738,  
D9/739, 740, 741, 744, 745, 517, 454, 414,  
D9/432, 424, 434, 455, 456; D19/1, 27;  
D3/304, 313

CPC ..... B65D 1/243; B65D 2501/24019;  
B65D 2501/24108; B65D 2501/24152

See application file for complete search history.

FIG. 1 is a top, front, right perspective view of a portion of a tray for jugs showing my new design;  
FIG. 2 is a bottom, front, left perspective view thereof;  
FIG. 3 is an enlarged fragmentary view of FIG. 1 thereof, wherein selected unclaimed detail is omitted for clarity;  
FIG. 4 is an enlarged fragmentary view of FIG. 2 thereof, wherein selected unclaimed detail is omitted for clarity;  
FIG. 5 is a cross-sectional view at 5-5 in FIG. 1 thereof;  
FIG. 6 is a cross-sectional view at 6-6 in FIG. 1 thereof;  
FIG. 7 is a cross-sectional view at 7-7 in FIG. 1 thereof;  
FIG. 8 is a cross-sectional view at 8-8 in FIG. 1 thereof;  
FIG. 9 is a cross-sectional view at 9-9 in FIG. 1 thereof;  
FIG. 10 is a top view thereof; and,  
FIG. 11 is a bottom view thereof.

The broken lines showing the remainder of the portion of a tray for jugs are for environmental purposes only and form no part of the claimed design.

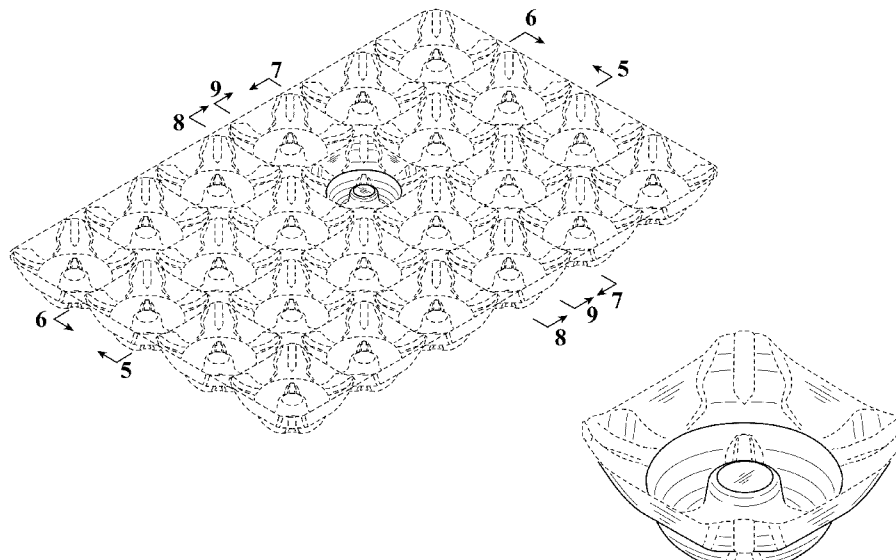
(56) **References Cited**

U.S. PATENT DOCUMENTS

335,569 A \* 2/1886 Dalphe ..... 40/27  
2,641,374 A 6/1953 Der Yuen  
3,369,688 A 2/1968 Dike  
3,391,814 A 7/1968 Box  
3,482,756 A 12/1969 Collie  
4,037,722 A 7/1977 Bremer

(Continued)

**1 Claim, 7 Drawing Sheets**



(56)

References Cited

U.S. PATENT DOCUMENTS

4,256,224 A 3/1981 Hirota  
 D261,990 S \* 11/1981 Roccaforte ..... D9/433  
 4,360,231 A 11/1982 Bolin  
 D281,581 S \* 12/1985 MacEwen ..... D9/435  
 D285,905 S \* 9/1986 Segal ..... D9/415  
 D286,268 S \* 10/1986 Wolff ..... D9/447  
 D292,887 S \* 11/1987 Schouten ..... D9/424  
 4,805,793 A 2/1989 Brandt et al.  
 4,928,841 A 5/1990 Arthurs  
 5,064,101 A 11/1991 Richter et al.  
 5,259,509 A 11/1993 Boal, Jr. et al.  
 5,330,050 A 7/1994 Stansbury, Jr. et al.  
 5,377,862 A 1/1995 Oakes et al.  
 5,645,169 A 7/1997 Dull et al.  
 5,673,792 A 10/1997 Aikio  
 D389,403 S \* 1/1998 Rahr ..... D9/428  
 D410,842 S \* 6/1999 DiMarzo et al. .... D9/435  
 D426,771 S \* 6/2000 Blow et al. .... D9/434  
 D427,482 S \* 7/2000 Mittmann ..... D7/354  
 6,279,770 B1 8/2001 Osbakk et al.  
 6,290,057 B1 9/2001 Hurley  
 6,367,645 B1 4/2002 Trygg  
 D461,719 S 8/2002 Nicodemus et al.  
 D494,468 S \* 8/2004 Vovan ..... D9/435  
 D513,596 S \* 1/2006 Hamblin et al. .... D9/756  
 7,017,746 B2 3/2006 Apps  
 D556,567 S \* 12/2007 Templeton ..... D9/425  
 D567,672 S \* 4/2008 Sheu ..... D9/758  
 7,467,714 B2 12/2008 Slat et al.  
 D594,660 S 6/2009 Lindstrom  
 D600,016 S 9/2009 Tiilikainen  
 D600,021 S 9/2009 Lindstrom  
 D628,449 S \* 12/2010 Kulzer ..... D7/701  
 D628,450 S \* 12/2010 Kulzer ..... D7/701  
 D632,960 S 2/2011 Gilfert  
 D642,937 S \* 8/2011 Birchmeier et al. .... D9/760  
 D653,107 S \* 1/2012 Margan ..... D9/434  
 8,109,216 B2 2/2012 Nono et al.  
 8,235,214 B2 8/2012 Eiten et al.  
 D667,305 S 9/2012 Kuhn et al.  
 8,448,806 B2 \* 5/2013 Hassell ..... 220/516  
 D700,053 S \* 2/2014 Chudleigh ..... D9/456  
 D707,554 S \* 6/2014 Lavoie ..... D9/435  
 D730,183 S \* 5/2015 Fahl ..... D9/435  
 2002/0108880 A1 \* 8/2002 Krupa et al. .... 206/497  
 2005/0279651 A1 12/2005 Perret et al.  
 2006/0096942 A1 5/2006 Lane  
 2006/0260971 A1 11/2006 Rivera et al.  
 2006/0283755 A1 12/2006 Slat et al.  
 2008/0217200 A1 9/2008 Eiten et al.  
 2008/0302691 A1 12/2008 Olson et al.  
 2009/0108002 A1 4/2009 Delbrouck et al.  
 2009/0223854 A1 9/2009 Apps  
 2010/0108544 A1 5/2010 Biundo  
 2010/0206759 A1 8/2010 Eiten et al.  
 2010/0213095 A1 8/2010 Eiten  
 2010/0326872 A1 12/2010 Rivera et al.  
 2011/0024318 A1 2/2011 Gilfert  
 2011/0284411 A1 11/2011 Delbrouck et al.  
 2013/0087477 A1 4/2013 Kuhn et al.  
 2013/0233815 A1 9/2013 Lesbirel  
 2014/0197064 A1 \* 7/2014 Prince et al. .... 206/501

CA 133558 A 6/1911  
 CA 201958 A 7/1920  
 CA 205000 A 10/1920  
 CA 207213 A 1/1921  
 CA 208485 A 2/1921  
 CA 208800 A 2/1921  
 CA 214575 A 12/1921  
 CA 233432 A 8/1923  
 CA 235190 A 10/1923  
 CA 237629 A 2/1924  
 CA 237748 A 2/1924  
 CA 238588 A 3/1924  
 CA 238901 A 3/1924  
 CA 244308 A 11/1924  
 CA 245123 A 12/1924  
 CA 246304 A 1/1925  
 CA 251304 A 6/1925  
 CA 256113 A 12/1925  
 CA 2002417 A1 5/1990  
 CA 2019014 A1 1/1991  
 CA 2030247 A1 8/1991  
 CA 1301091 C 5/1992  
 CA 2126179 A1 4/1994  
 CA 2199971 A1 3/1996  
 CA 2212083 A1 8/1996  
 CA 2218138 A1 10/1996  
 CA 2195137 A1 7/1997  
 CA 2207531 A1 4/1998  
 CA 2255699 A1 9/1998  
 CA 2242883 A1 3/1999  
 CA 2346126 A1 5/2000  
 CA 2368713 A1 11/2000  
 CA 2396000 A 12/2000  
 CA 2361121 A1 5/2002  
 CA 2408869 A1 4/2003  
 CA 2608661 A1 12/2006  
 CA 2670323 A1 5/2008  
 CA 2683012 A1 12/2008  
 CA 2701030 A1 4/2009  
 CA 2654672 A1 8/2009  
 CA 2666087 A1 12/2009  
 CA 2669586 A1 12/2009  
 CA 2681682 A1 4/2010  
 CA 2681686 A1 4/2010  
 CA 2755127 A1 9/2010  
 CA 2699144 A1 10/2010  
 CA 2699804 A1 10/2010  
 CA 2706290 A1 12/2010  
 CA 2707995 A1 12/2010  
 CA 2713166 A1 3/2011  
 CA 2804852 A1 1/2012  
 CA 2767549 A1 8/2012  
 DE 8108411 U1 9/1981  
 DE 9210033 U1 10/1992  
 DE 4425569 A1 1/1996  
 DE 102005029304 A1 1/2007  
 GB 1097870 A 1/1968  
 GB 2220196 A 1/1990  
 WO 9741044 A1 11/1997  
 WO 9901345 A1 1/1999  
 WO 0058173 A 10/2000  
 WO 2010055204 A1 5/2010  
 WO 2011054700 A1 5/2011  
 WO 2011138788 A1 11/2011  
 WO 2012037993 A1 3/2012  
 WO 2013004248 A1 1/2013  
 WO 2013116269 A1 8/2013

FOREIGN PATENT DOCUMENTS

CA 130401 A 1/1911  
 CA 131231 A 2/1911  
 CA 131364 A 2/1911  
 CA 133031 A 5/1911  
 CA 133271 A 5/1911

OTHER PUBLICATIONS

Stackable bottle holders, draining tray sold separately; <http://www.baderbrewing.com/products/beer-bottling-wine-bottles-drying-racks/fastrack-stackable-bottle-drainer>; Oct. 23, 2013.

\* cited by examiner

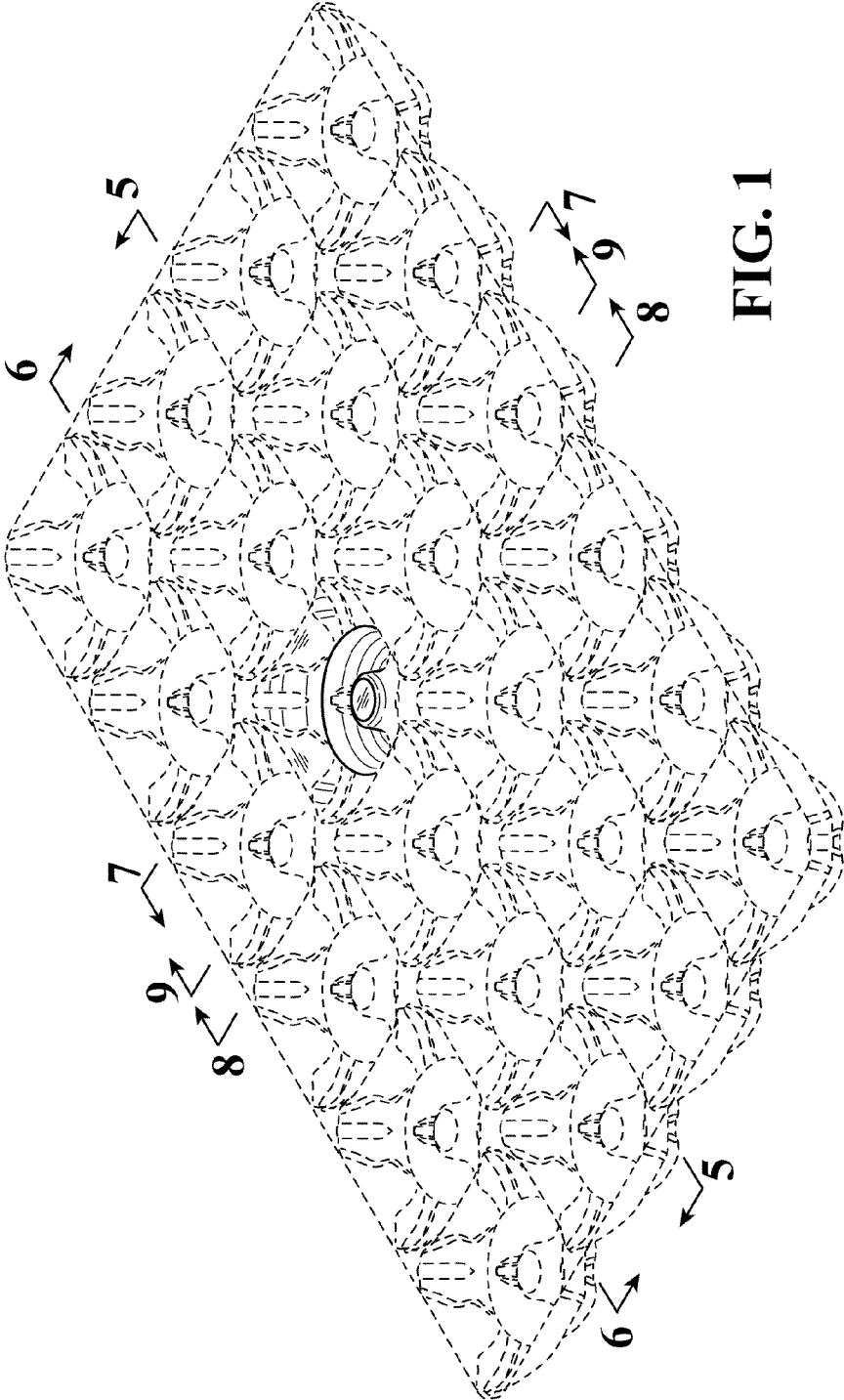
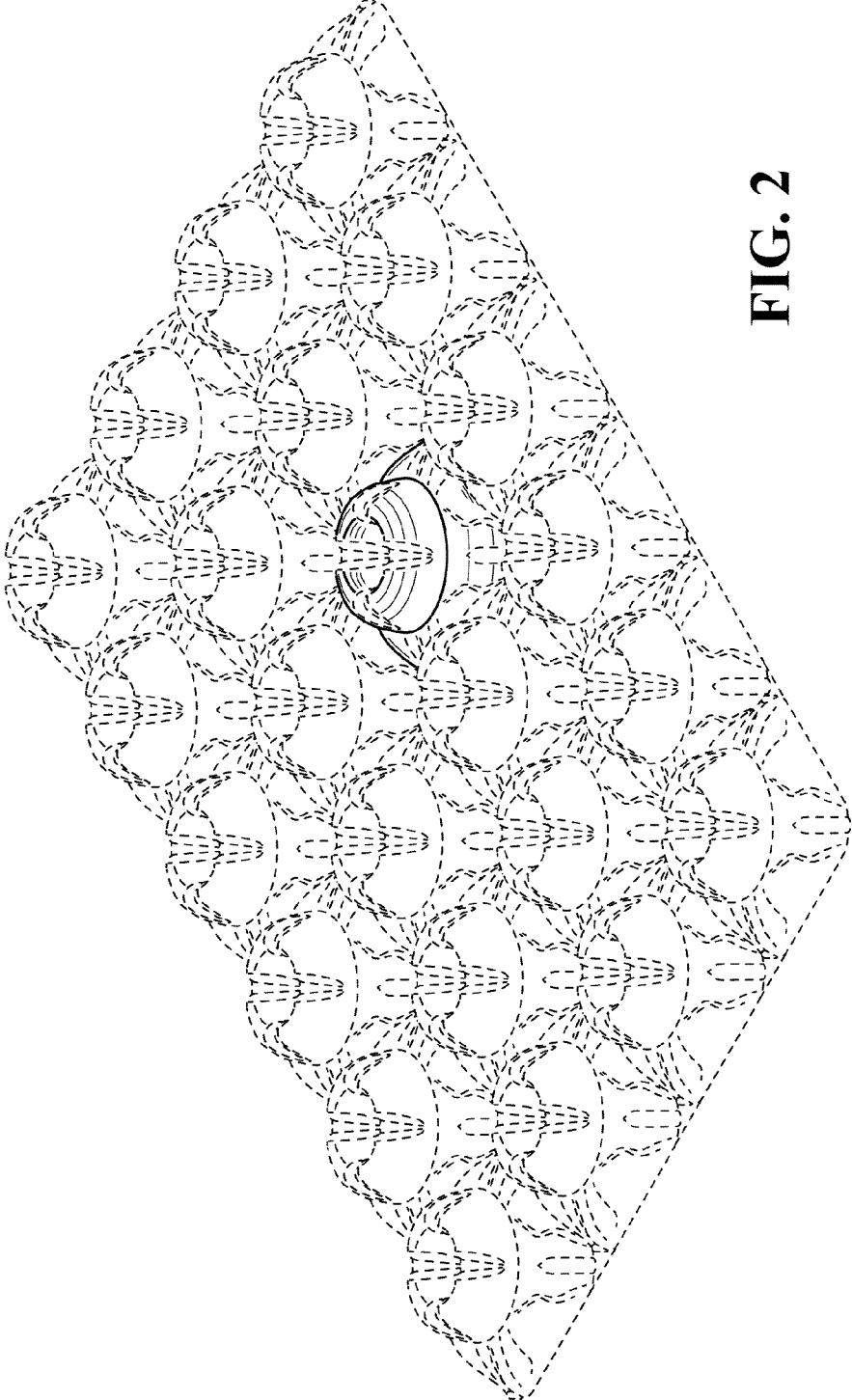
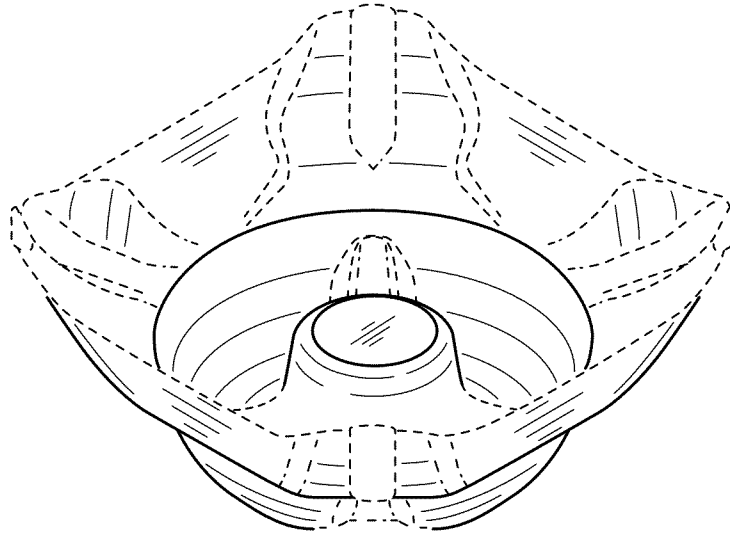


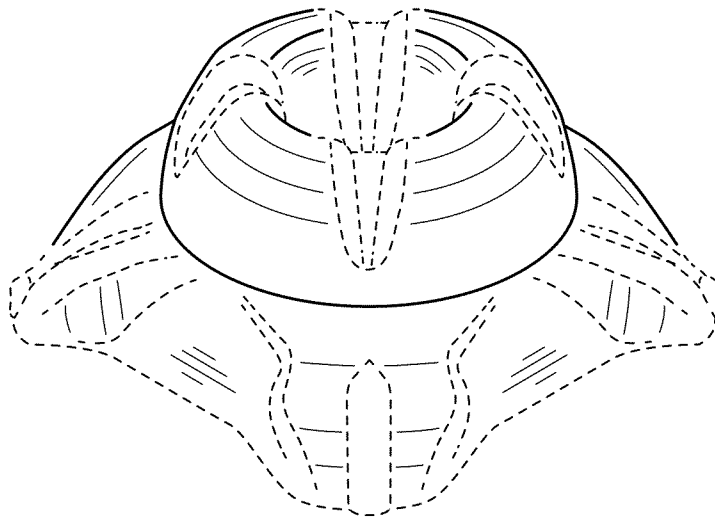
FIG. 1



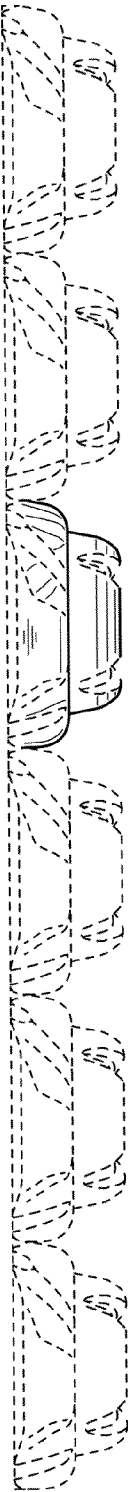
**FIG. 2**



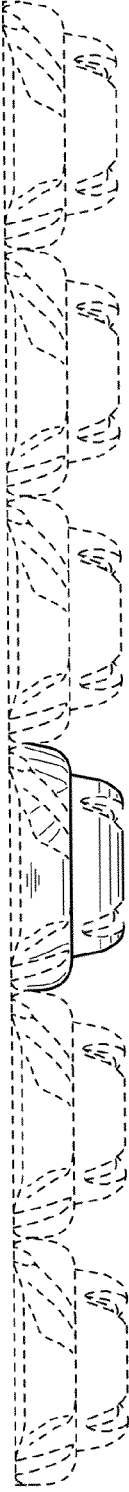
**FIG. 3**



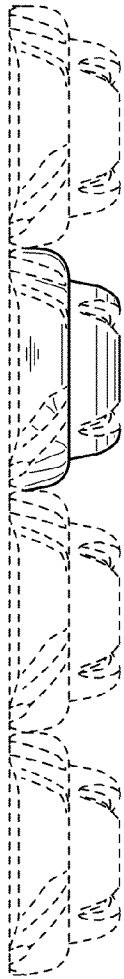
**FIG. 4**



**FIG. 5**



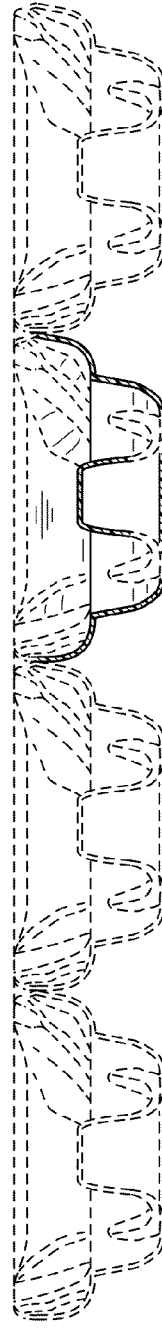
**FIG. 6**



**FIG. 7**



**FIG. 8**



**FIG. 9**

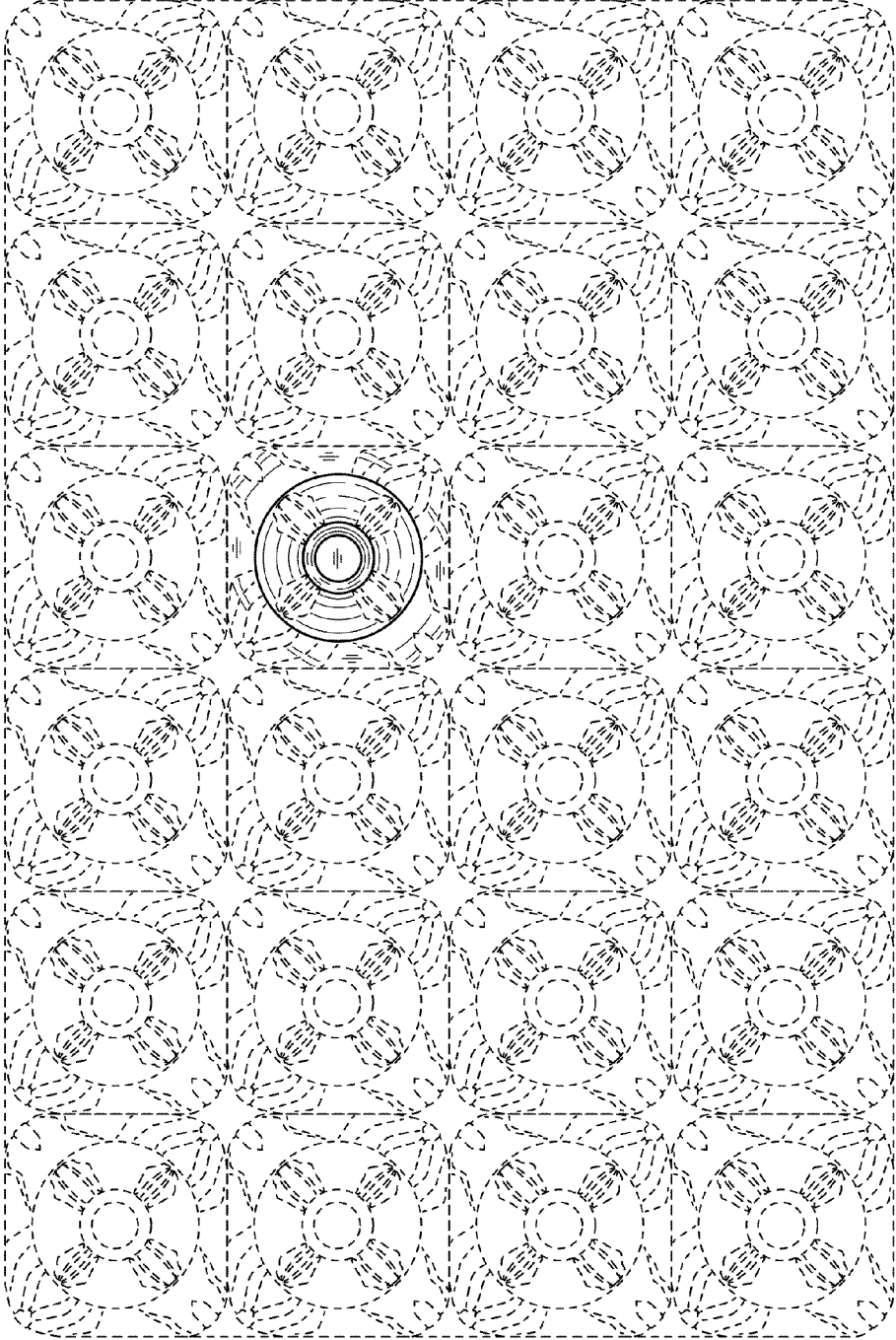


FIG. 10

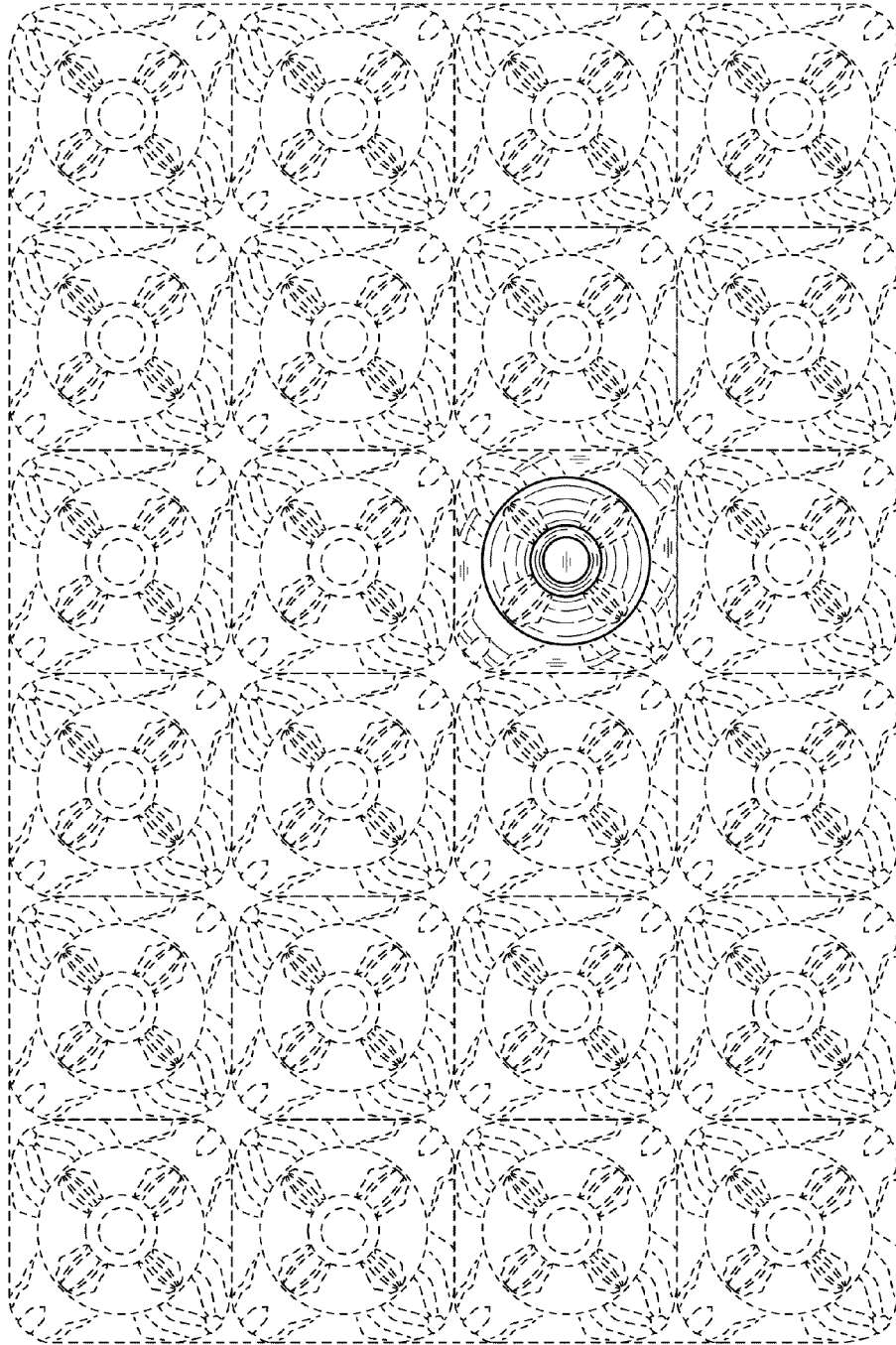


FIG. 11