



US00D835206S

(12) **United States Design Patent** (10) **Patent No.:** **US D835,206 S**  
**Lin et al.** (45) **Date of Patent:** **\*\* Dec. 4, 2018**

(54) **SCOOTERS** D645,522 S \* 9/2011 Powers ..... D21/423  
D654,963 S 2/2012 Powers  
(71) Applicant: **NINEBOT (BEIJING) TECH. CO., LTD**, Beijing (CN) D671,600 S 11/2012 Horne  
D692,963 S 11/2013 Radtke  
D717,881 S 11/2014 Radtke et al.  
D728,033 S 4/2015 O'Connell  
(72) Inventors: **Ji Lin**, Beijing (CN); **Xingle Li**, Beijing (CN); **Yi Lou**, Beijing (CN) D736,324 S \* 8/2015 Lu ..... D21/423  
D738,435 S 9/2015 O'Connell  
D772,990 S \* 11/2016 Allais ..... D21/423  
D774,145 S \* 12/2016 Hadley ..... D21/423  
(73) Assignee: **NINEBOT (BEIJING) TECH. CO., LTD**, Beijing (CN) D777,844 S \* 1/2017 O'Connell ..... D21/423  
D783,724 S \* 4/2017 Pickavance ..... D12/192  
D806,176 S \* 12/2017 Peng ..... D21/423

(\*\*) Term: **15 Years**

(21) Appl. No.: **35/503,019**

(22) Filed: **Nov. 24, 2016**

(80) **Hague Agreement Data**

Int. Filing Date: **Nov. 24, 2016**  
Int. Reg. No.: **DM/095042**  
Int. Reg. Date: **Nov. 24, 2016**  
Int. Reg. Pub. Date: **May 26, 2017**

(30) **Foreign Application Priority Data**

May 25, 2016 (CN) ..... 2016 3 0201655

(51) **LOC (11) Cl.** ..... **21-01**

(52) **U.S. Cl.**  
USPC ..... **D21/423**

(58) **Field of Classification Search**  
USPC ..... D21/423; D12/192  
See application file for complete search history.

(56) **References Cited**

**U.S. PATENT DOCUMENTS**

D435,873 S 1/2001 Lee  
D443,001 S 5/2001 Ouboter  
D444,824 S 7/2001 Udwin  
D446,259 S 8/2001 Udwin  
D452,284 S 12/2001 McGinnis  
D467,625 S 12/2002 Clark

(Continued)

*Primary Examiner* — George D. Kirschbaum

(74) *Attorney, Agent, or Firm* — Margaret Polson; Polson Intellectual Property Law, PC

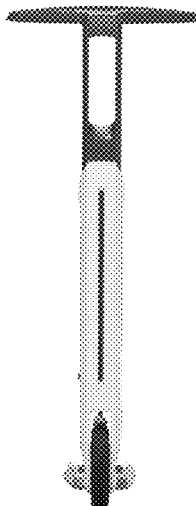
(57) **CLAIM**

The ornamental design for a scooter, as shown and described.

**DESCRIPTION**

- 1.-2. Scooters
- 1.1 : Front
- 1.2 : Back
- 1.3 : Left
- 1.4 : Right
- 1.5 : Top
- 1.6 : Bottom
- 1.7 : Perspective
- 2.1 : Front
- 2.2 : Back
- 2.3 : Left
- 2.4 : Right
- 2.5 : Top
- 2.6 : Bottom
- 2.7 : Perspective
- 2.8 : Perspective of folding state
- 2.9 : Perspective of folding state

**1 Claim, 16 Drawing Sheets**



(56)

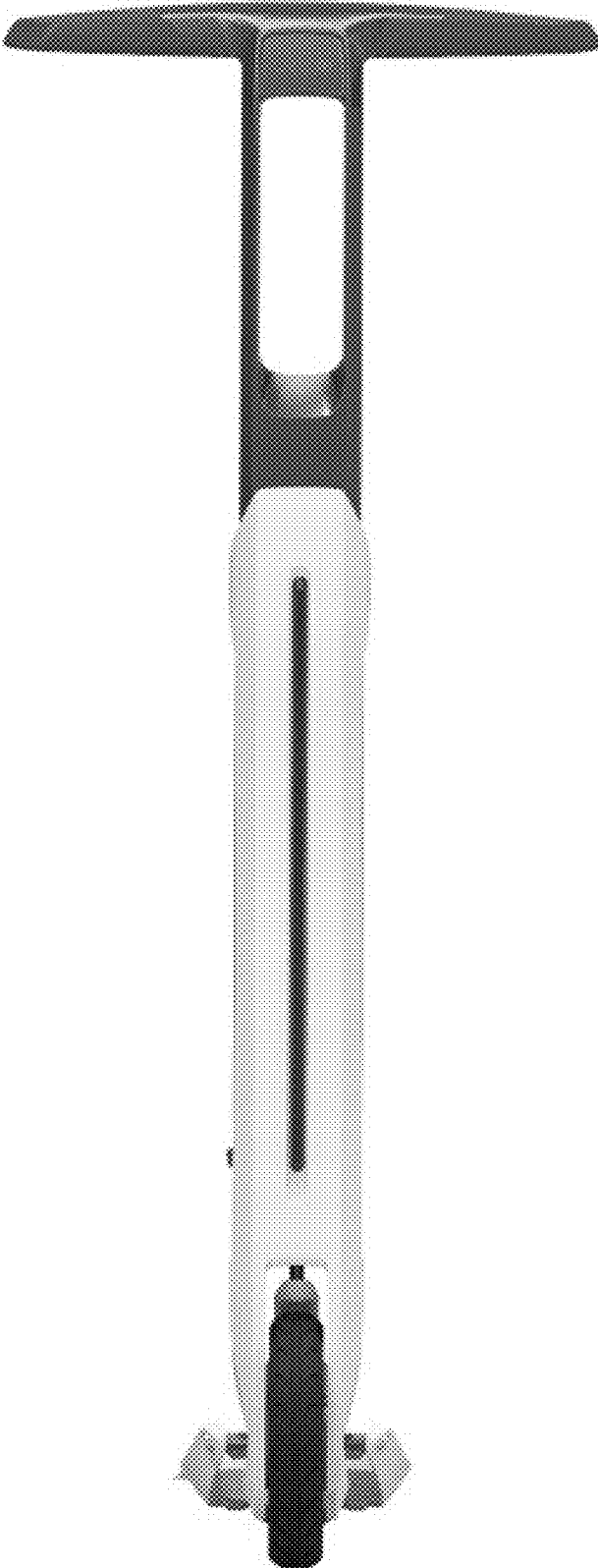
**References Cited**

U.S. PATENT DOCUMENTS

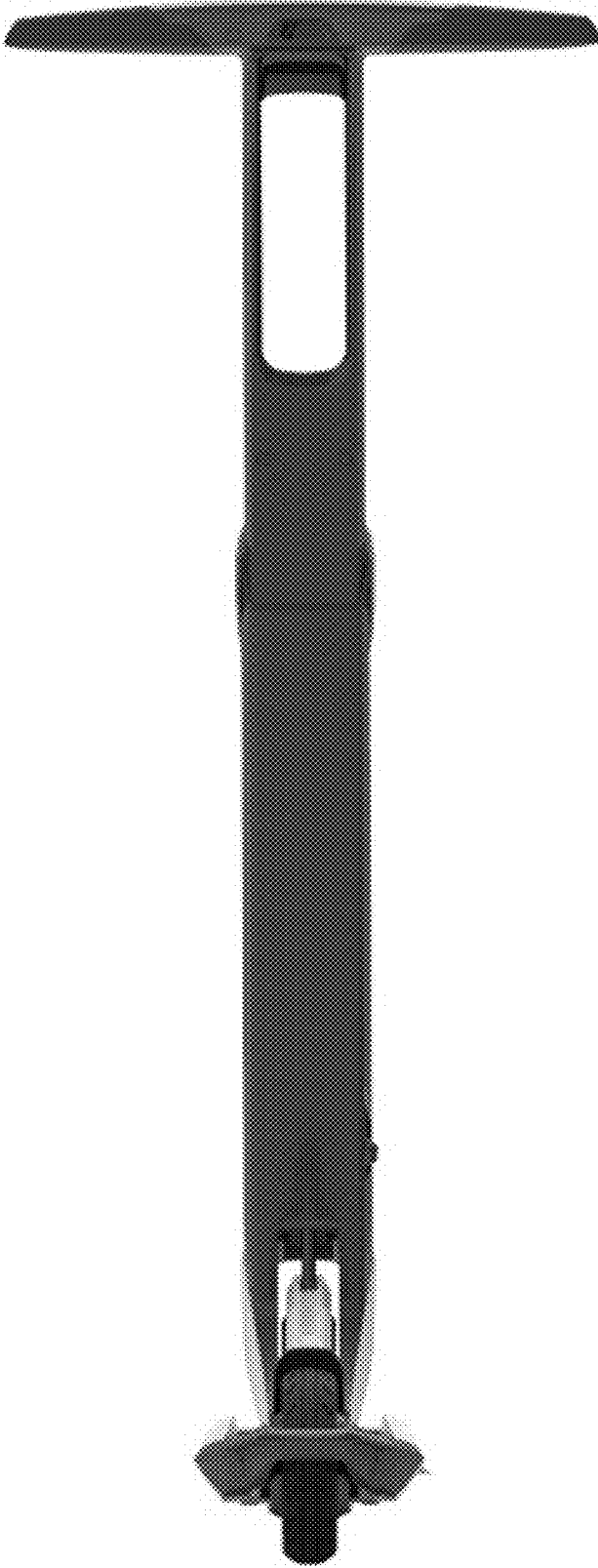
|              |    |   |        |              |       |         |
|--------------|----|---|--------|--------------|-------|---------|
| D810,836     | S  | * | 2/2018 | Hadley       | ..... | D21/423 |
| D811,489     | S  | * | 2/2018 | Hadley       | ..... | D21/423 |
| D815,215     | S  | * | 4/2018 | Desberg      | ..... | D21/423 |
| D818,541     | S  |   | 5/2018 | Huang        |       |         |
| 2016/0096578 | A1 |   | 4/2016 | Liu Shun Wen |       |         |

\* cited by examiner

1.1



1.2



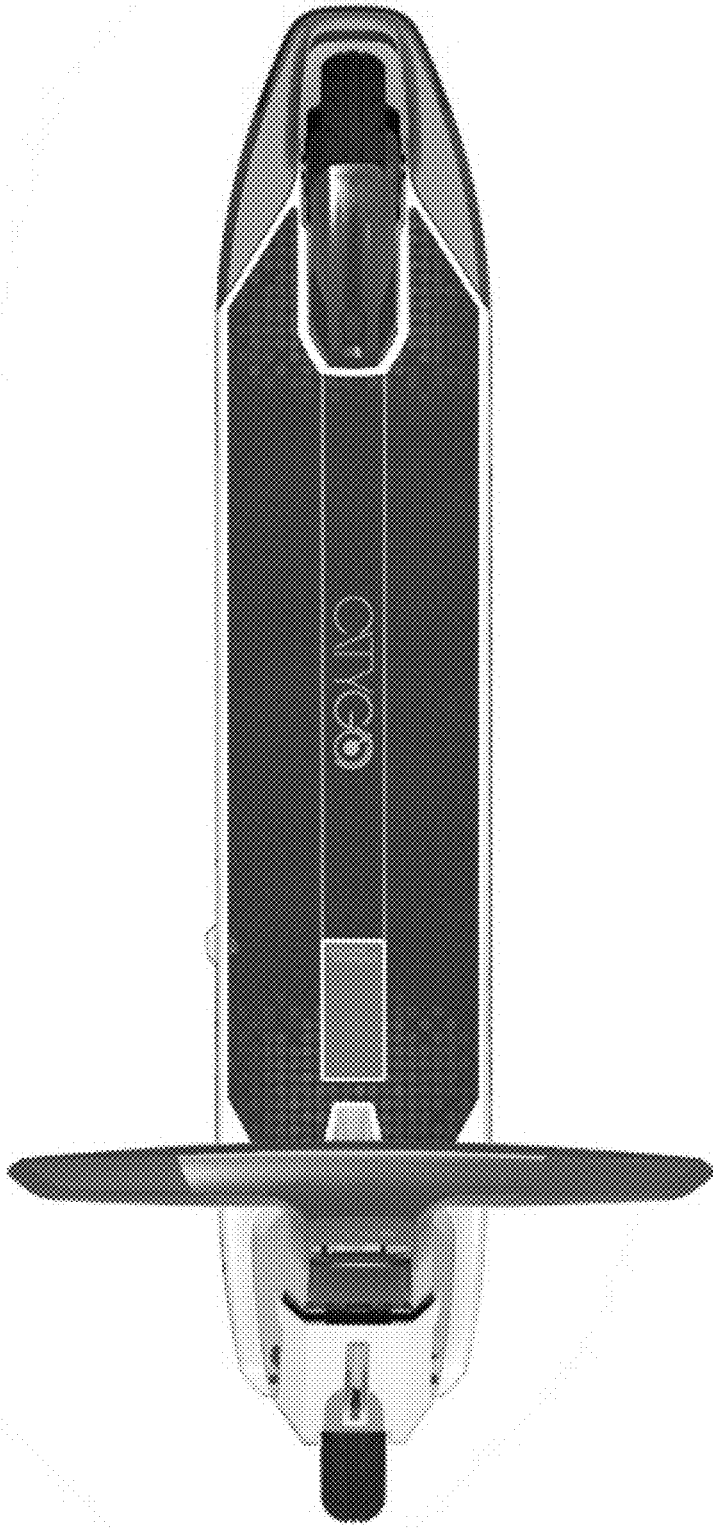
1.3



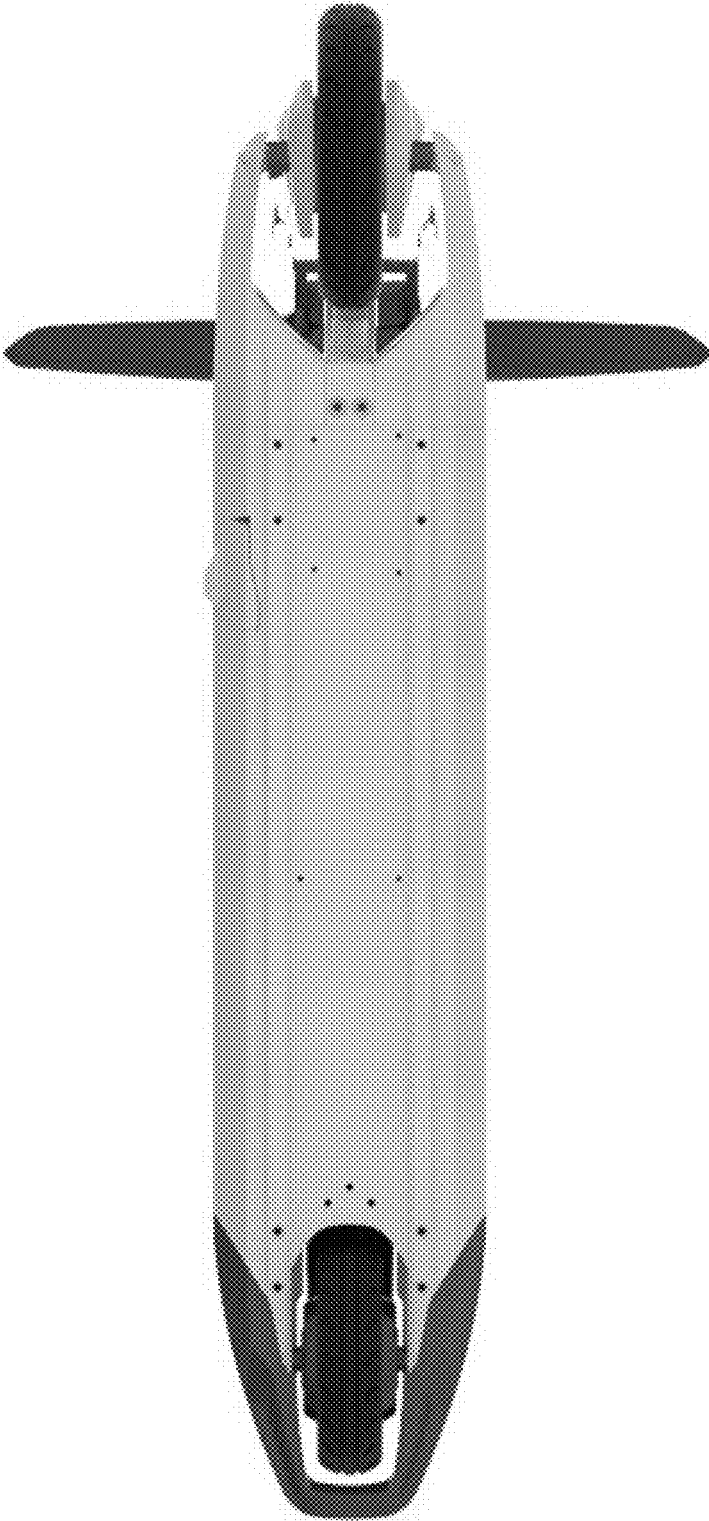
1.4



1.5

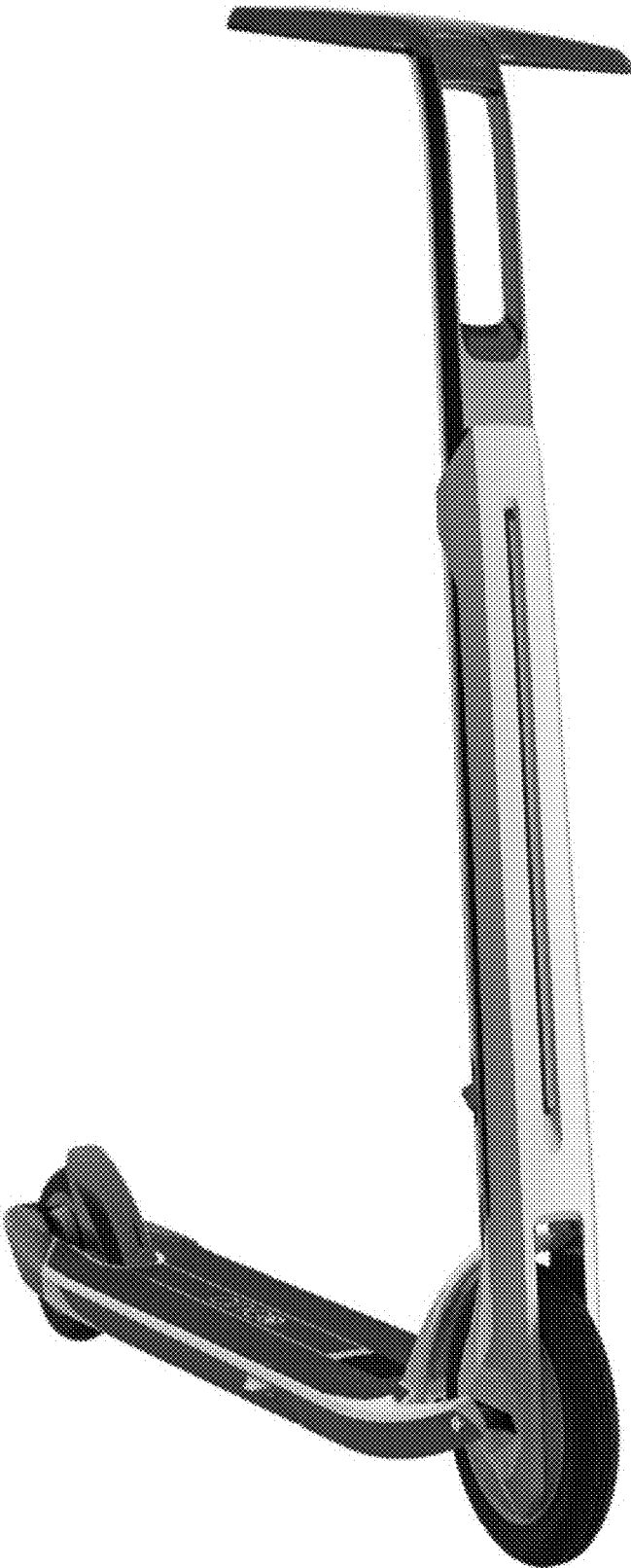


1.6

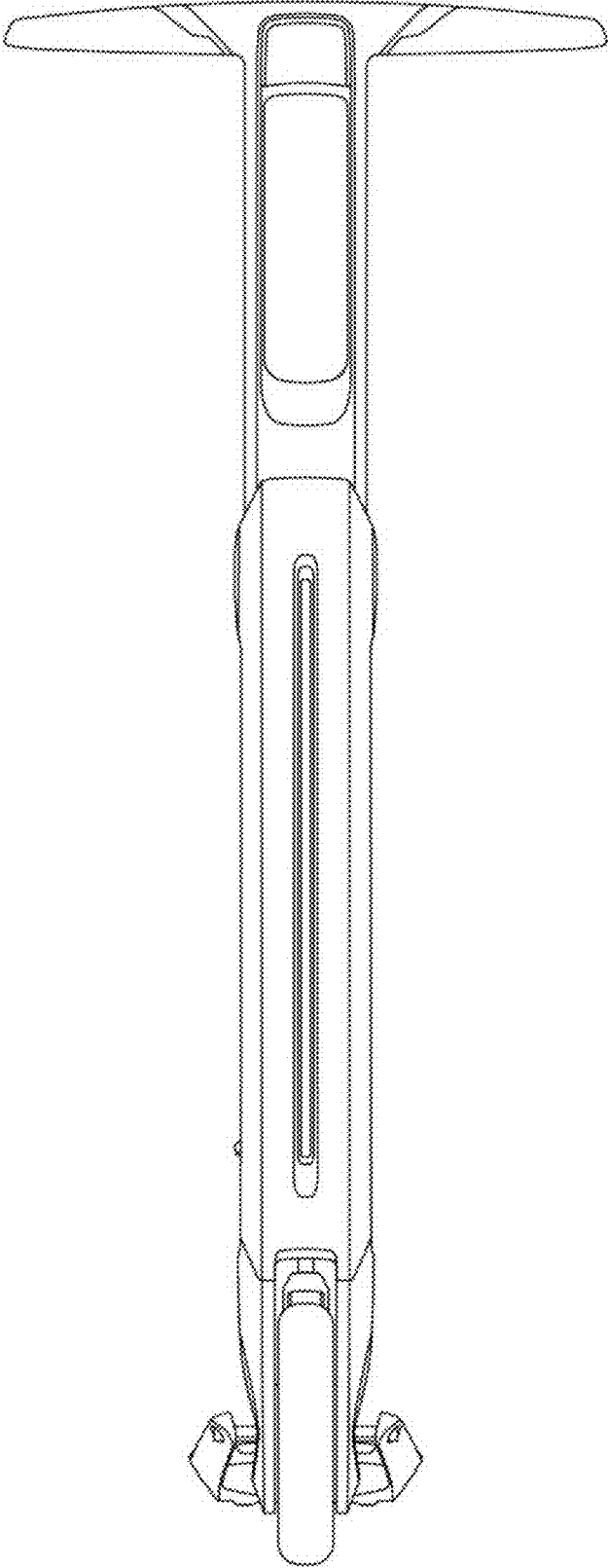




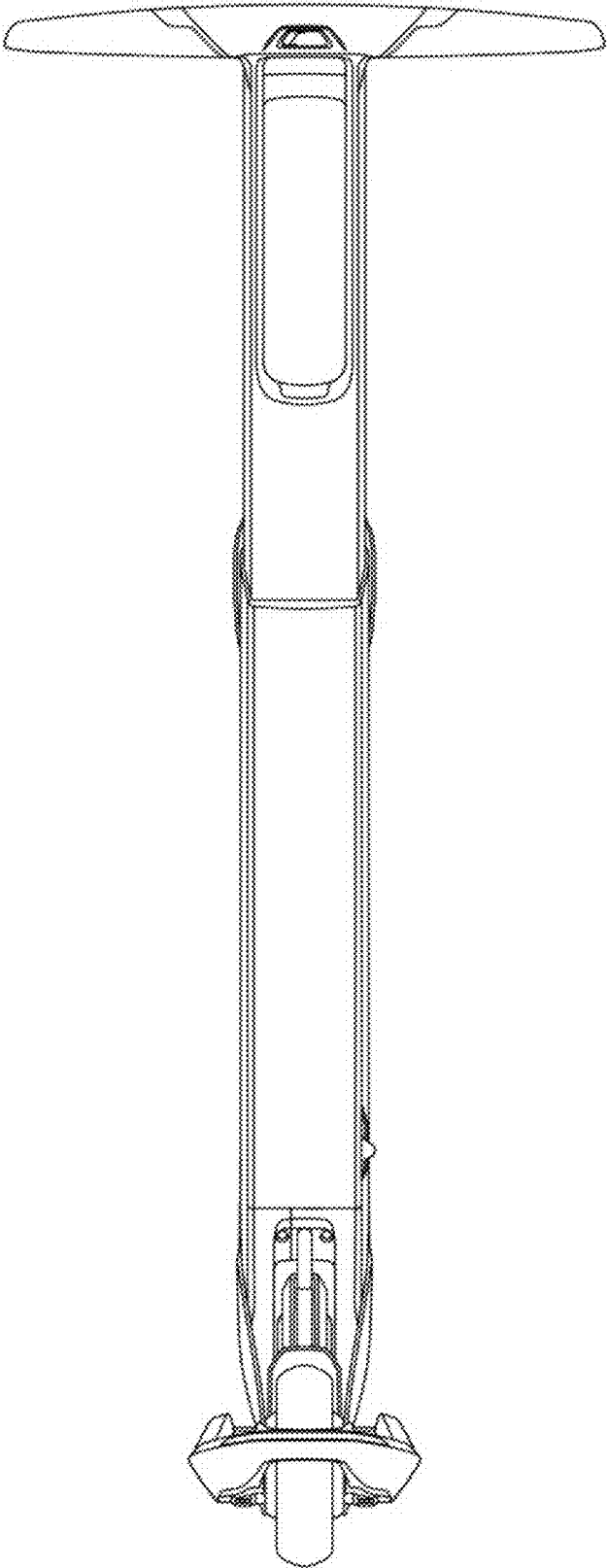
1.7



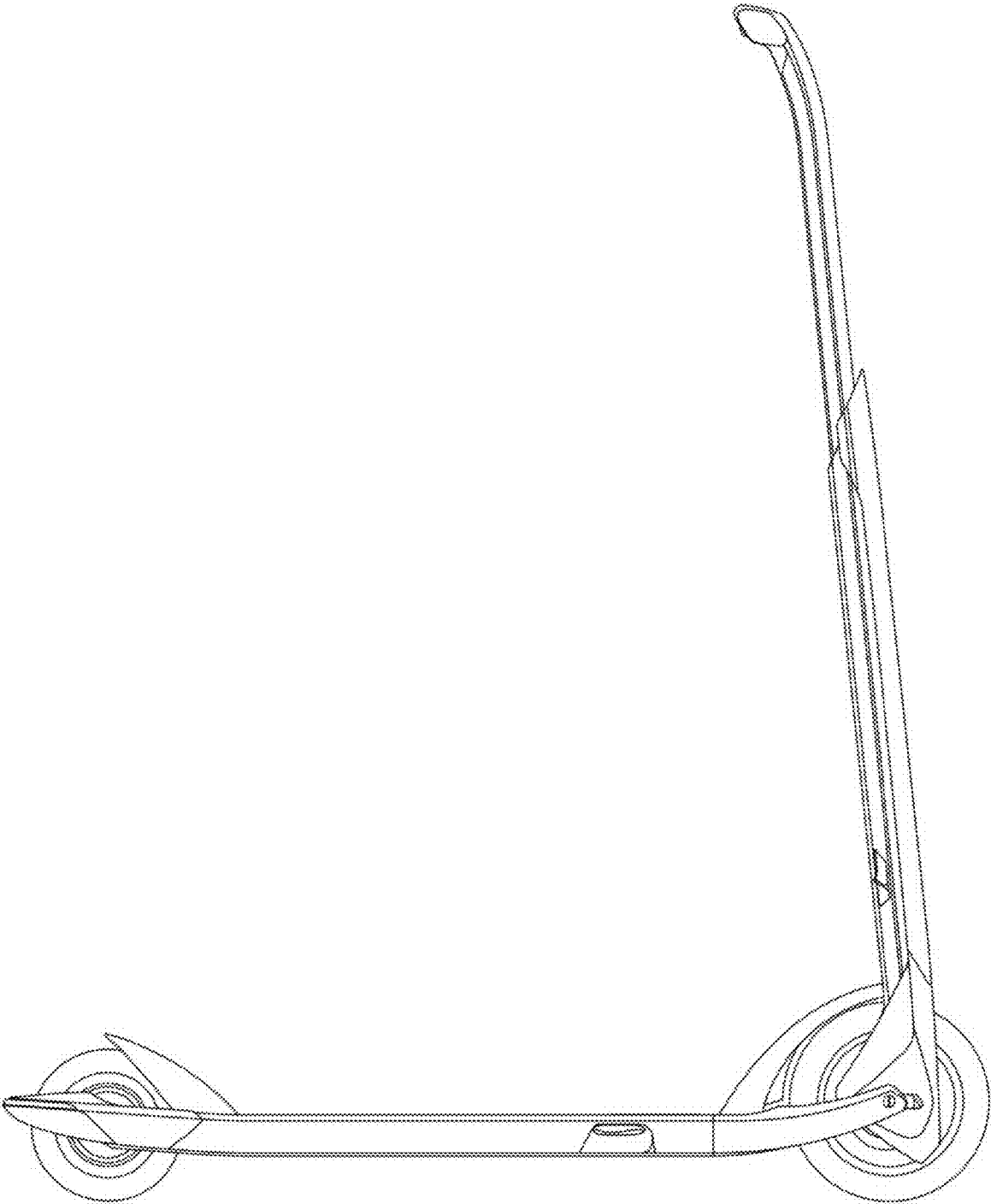
2.1



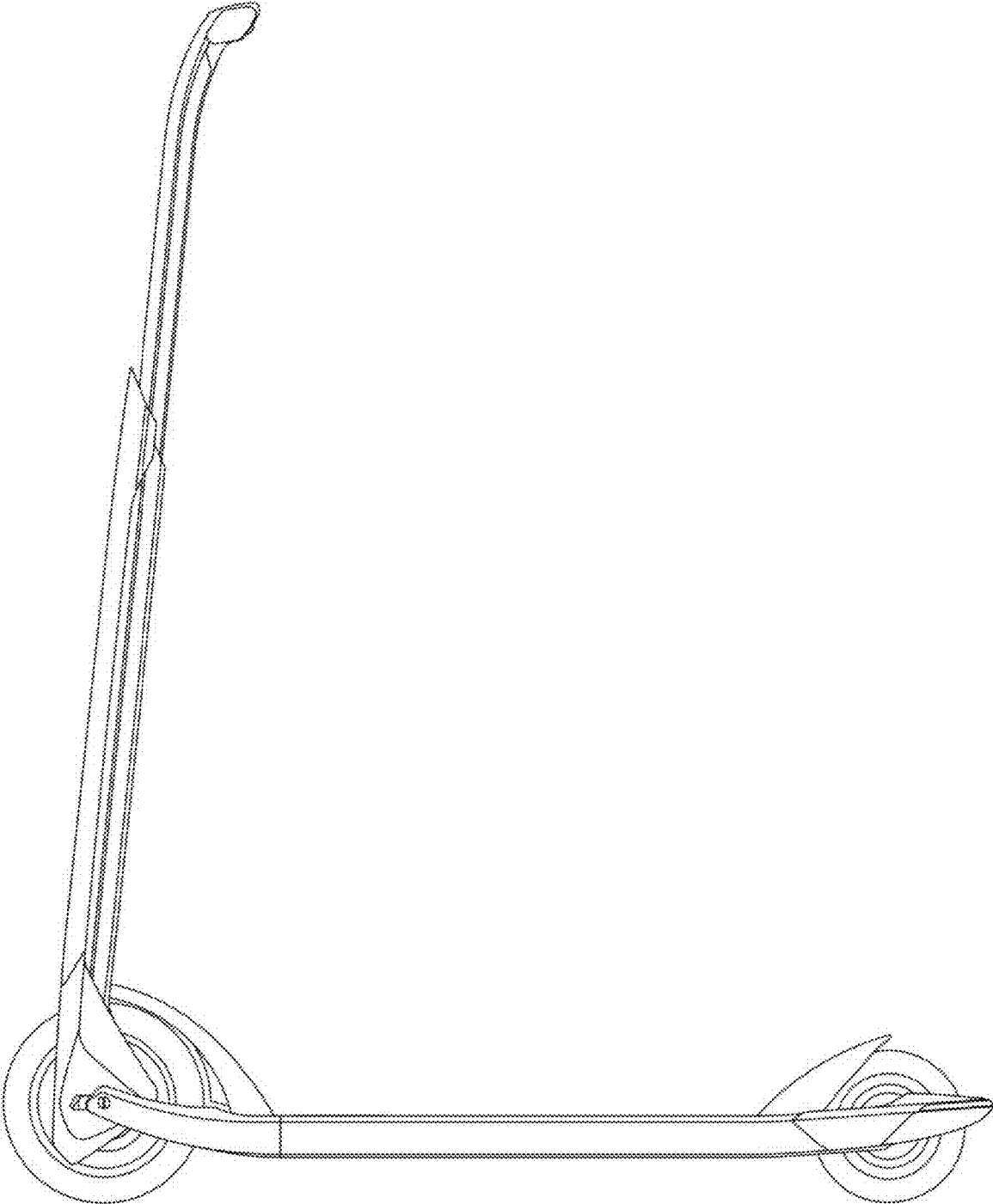
2.2



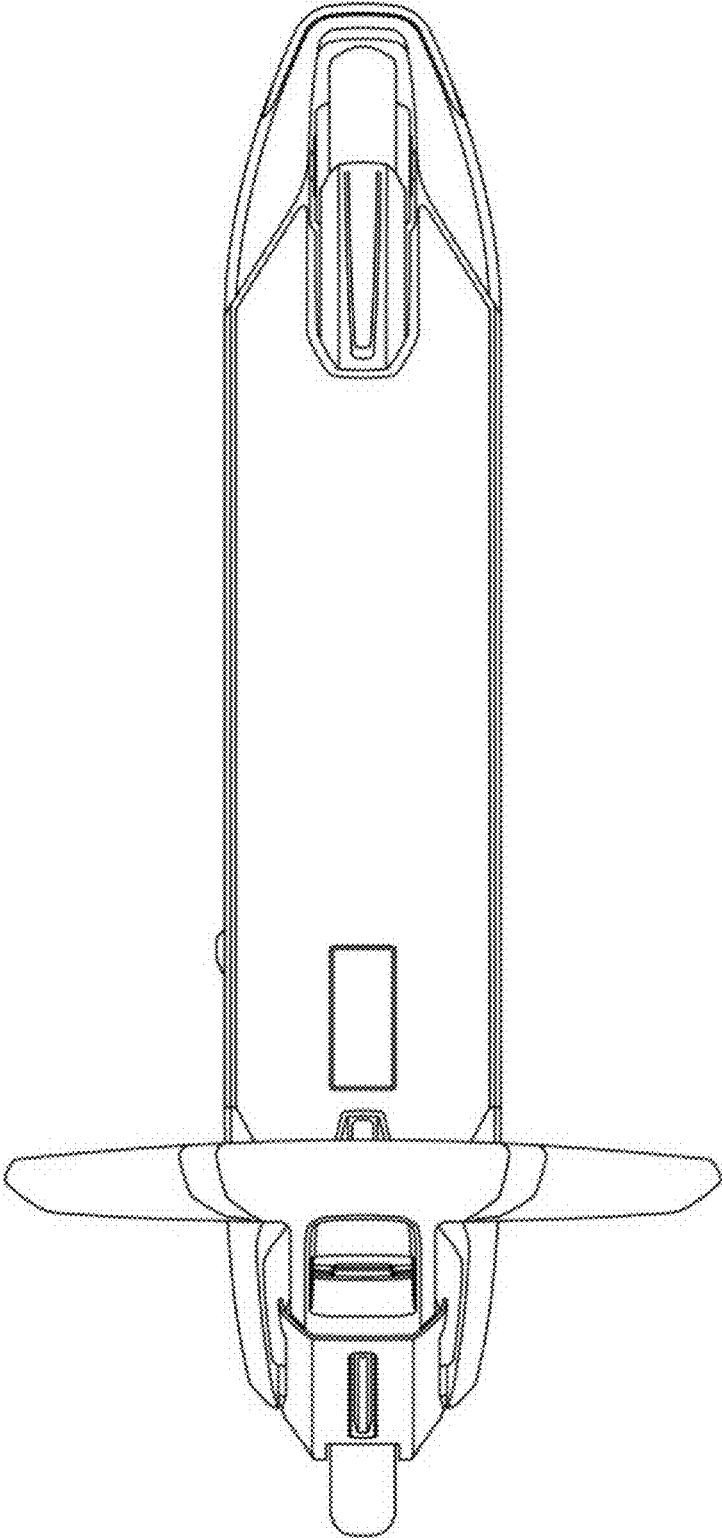
2.3



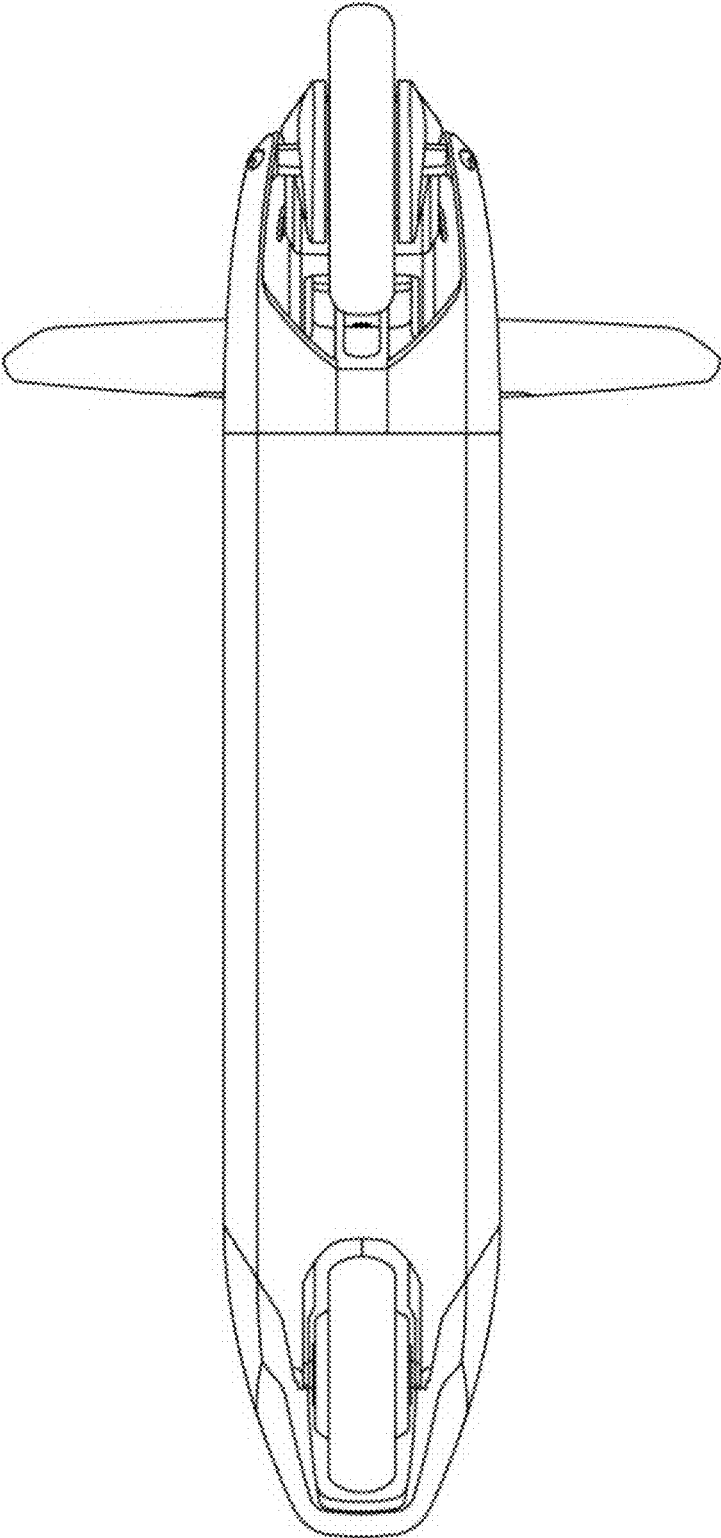
2.4



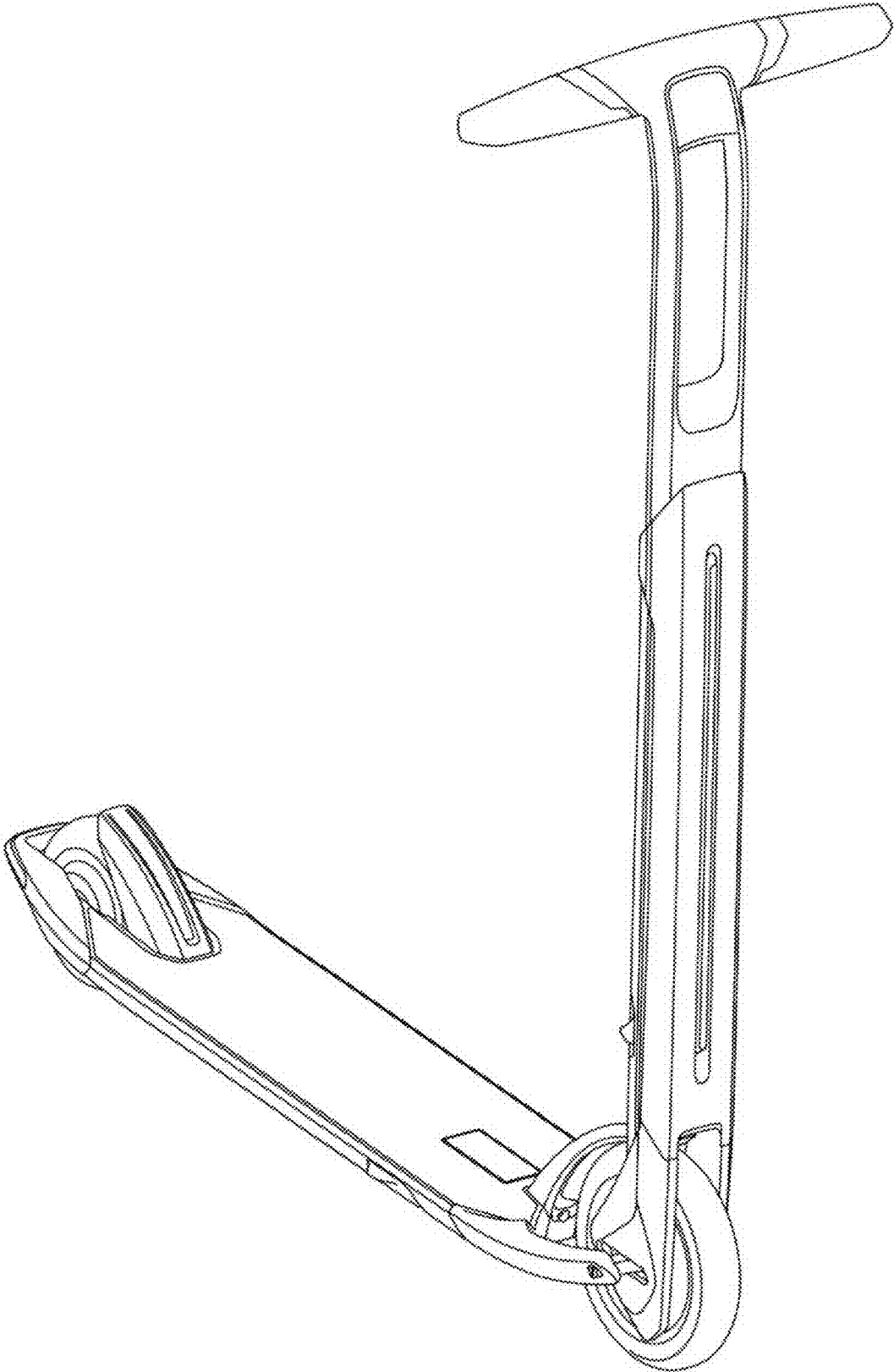
2.5



2.6

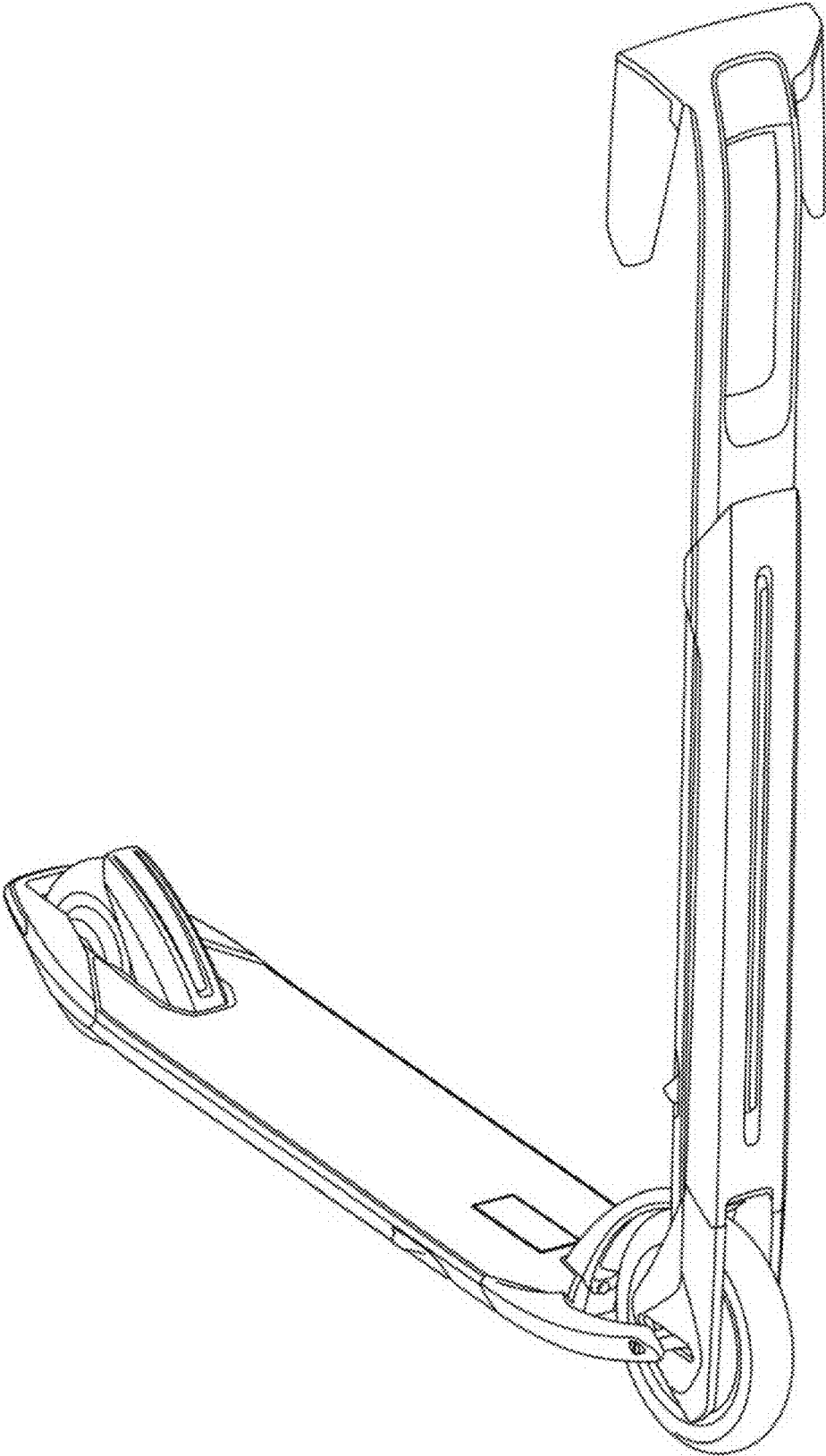


2.7





2.8



2.9

