

(19) World Intellectual Property Organization
International Bureau



(43) International Publication Date
25 October 2007 (25.10.2007)

PCT

(10) International Publication Number
WO 2007/120509 A3

(51) International Patent Classification:
A62B 7/10 (2006.01) A62B 23/02 (2006.01)
A62B 18/02 (2006.01)

(21) International Application Number:
PCT/US2007/008157

(22) International Filing Date: 2 April 2007 (02.04.2007)

(25) Filing Language: English

(26) Publication Language: English

(30) Priority Data:
60/789,484 5 April 2006 (05.04.2006) US

(71) Applicant and

(72) Inventor (for all designated States except US): **NONO-MURA, Arthur, M.** [US/US]; 4904 North Greentree Drive East, Litchfield Park, AZ 85340 (US).

(74) Agents: **LEMACK, Kevin, S.** et al.; Nields & Lemack, 176 E. Main Street-Suite 7, Westboro, MA 01581 (US).

(81) Designated States (unless otherwise indicated, for every kind of national protection available): AE, AG, AL, AM, AT, AU, AZ, BA, BB, BG, BH, BR, BW, BY, BZ, CA, CH, CN, CO, CR, CU, CZ, DE, DK, DM, DZ, EC, EE, EG, ES, FI, GB, GD, GE, GH, GM, GT, HN, HR, HU, ID, IL, IN, IS, JP, KE, KG, KM, KN, KP, KR, KZ, LA, LC, LK, LR, LS, LT, LU, LY, MA, MD, MG, MK, MN, MW, MX, MY, MZ, NA, NG, NI, NO, NZ, OM, PG, PH, PL, PT, RO, RS, RU, SC, SD, SE, SG, SK, SL, SM, SV, SY, TJ, TM, TN, TR, TT, TZ, UA, UG, US, UZ, VC, VN, ZA, ZM, ZW.

(84) Designated States (unless otherwise indicated, for every kind of regional protection available): ARIPO (BW, GH, GM, KE, LS, MW, MZ, NA, SD, SL, SZ, TZ, UG, ZM, ZW), Eurasian (AM, AZ, BY, KG, KZ, MD, RU, TJ, TM), European (AT, BE, BG, CH, CY, CZ, DE, DK, EE, ES, FI, FR, GB, GR, HU, IE, IS, IT, LT, LU, LV, MC, MT, NL, PL, PT, RO, SE, SI, SK, TR), OAPI (BF, BJ, CF, CG, CI, CM, GA, GN, GQ, GW, ML, MR, NE, SN, TD, TG).

Published:
— with international search report

(88) Date of publication of the international search report:
27 November 2008

(54) Title: VIRUCIDAL/GERMICIDAL MASK

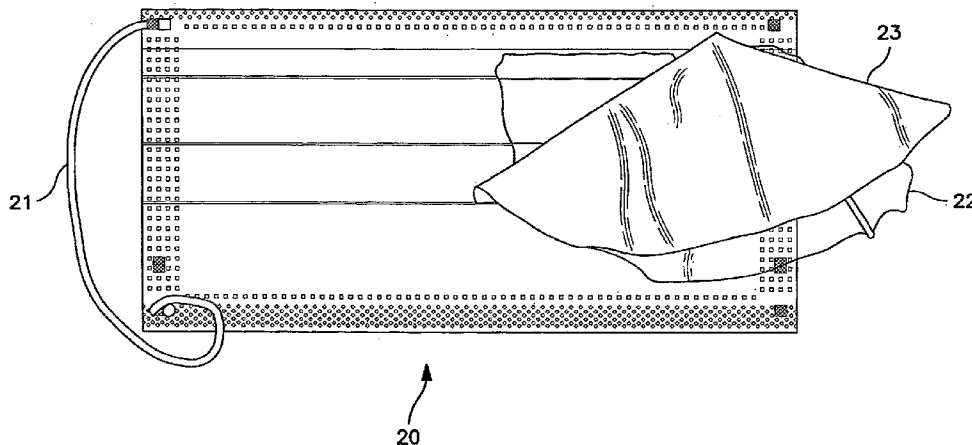


FIG. 2

(57) Abstract: The present invention provides a mask, suitable for wearing, that inhibits the passage of viruses and germs there through. Briefly, the mask comprises a number of individual layers. Each of these layers is treated with a compound designed to destroy viruses and germs, thus retarding the passage of viruses and germs to the next layer, and ultimately to the user. In one embodiment, a layer of acidic material and a separate layer of basic material are utilized in a form suitable to be placed over the user's nose and mouth.



WO 2007/120509 A3

INTERNATIONAL SEARCH REPORT

International application No.
PCT/US07/08157

A. CLASSIFICATION OF SUBJECT MATTER
 IPC: **A62B 7/10(2006.01),18/02(2006.01),23/02(2006.01)**

 USPC: **128/206.19,205.29**
 According to International Patent Classification (IPC) or to both national classification and IPC

B. FIELDS SEARCHED
 Minimum documentation searched (classification system followed by classification symbols)
 U.S. : 128/206.19, 205.29, 206.12, 206.14, 206.18, 206.21-206.28, 207.11, 205.25, 205.27, 205.29

 Documentation searched other than minimum documentation to the extent that such documents are included in the fields searched

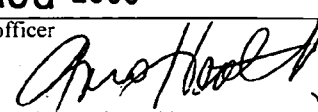
 Electronic data base consulted during the international search (name of data base and, where practicable, search terms used)

C. DOCUMENTS CONSIDERED TO BE RELEVANT

Category *	Citation of document, with indication, where appropriate, of the relevant passages	Relevant to claim No.
Y	US 5,724,964 A (BRUNSON et al) 10 March 1998 (10.03.1998), column 1-column 3, Figures 1-3, column 8, lines 10-15.	1-23
Y	US 4,856,509 A (LEMELSON) 15 August 1989 (15.08.1989), abstractcolumn 9, lines 1-10.	1-23
Y	US 2004/0089304 A1 (BARAKAT et al) 13 May 2004 (13.05.2004), paragraphs 117-130.	1-23
Y	US 6,681,765 B2 (WEN) 27 January 2004 (27.01.2004), column 6, lines 55-65.	3, 4
Y	US 2004/0163649 A1 (SHAO) 26 August 2004 (26.08.2004), paragraph 18.	5, 6

Further documents are listed in the continuation of Box C. See patent family annex.

* Special categories of cited documents:	
"A" document defining the general state of the art which is not considered to be of particular relevance	"T" later document published after the international filing date or priority date and not in conflict with the application but cited to understand the principle or theory underlying the invention
"E" earlier application or patent published on or after the international filing date	"X" document of particular relevance; the claimed invention cannot be considered novel or cannot be considered to involve an inventive step when the document is taken alone
"L" document which may throw doubts on priority claim(s) or which is cited to establish the publication date of another citation or other special reason (as specified)	"Y" document of particular relevance; the claimed invention cannot be considered to involve an inventive step when the document is combined with one or more other such documents, such combination being obvious to a person skilled in the art
"O" document referring to an oral disclosure, use, exhibition or other means	"&" document member of the same patent family
"P" document published prior to the international filing date but later than the priority date claimed	

Date of the actual completion of the international search 04 August 2008 (04.08.2008)	Date of mailing of the international search report 28 AUG 2008
Name and mailing address of the ISA/US Mail Stop PCT, Attn: ISA/US Commissioner for Patents P.O. Box 1450 Alexandria, Virginia 22313-1450 Facsimile No. (571) 273-3201	Authorized officer Justine Yu  Telephone No. (571) 292-3700 