



US00D359195S

# United States Patent [19]

[11] Patent Number: **Des. 359,195**

Mukai et al.

[45] Date of Patent: **\*\* Jun. 13, 1995**

## [54] COFFEE MAKER

[75] Inventors: **Masayuki Mukai, Osaka; Akinobu Kanza, Hyogo, both of Japan**

[73] Assignee: **Matsushita Electric Industrial Co., Ltd., Osaka, Japan**

[\*\*] Term: **14 Years**

[21] Appl. No.: **14,940**

[22] Filed: **Nov. 4, 1993**

### [30] Foreign Application Priority Data

May 28, 1993 [JP] Japan ..... 5-15733

[52] U.S. Cl. .... **D7/309; D7/310; D7/311**

[58] Field of Search ..... **D7/300, 305, 306, 307, D7/308, 309, 310, 311, 312; 99/280, 282, 281, 293, 452, 323.1, 453**

### [56] References Cited

#### U.S. PATENT DOCUMENTS

D. 288,517	3/1987	Kahlcke .....	D7/309
D. 288,885	3/1987	Kahlcke .....	D7/309
D. 310,613	9/1990	Wu .....	D7/309
D. 316,004	4/1991	Eugster .....	D7/309
D. 327,601	7/1992	Betron et al. ....	D7/307
D. 339,711	9/1993	Precht et al. ....	D7/309 X

D. 345,881	4/1994	Maass .....	D7/309
D. 345,882	12/1994	Maass .....	D7/310 X
D. 345,883	12/1994	Maass .....	D7/309
D. 346,298	4/1994	Brady et al. ....	D7/310 X
D. 347,961	6/1994	Betron .....	D7/311 X

### OTHER PUBLICATIONS

Braun Coffee Maker, Housewares p. 23 Feb. 21-27, 1986.

Leaflet on the BOSCH Model TKA 1750US Coffee Maker, published Feb. 1993.

*Primary Examiner*—Alan P. Douglas

*Assistant Examiner*—M. N. Pandozzi

*Attorney, Agent, or Firm*—Sughrue, Mion, Zinn, Macpeak & Seas

### [57] CLAIM

The ornamental design for a coffee maker, as shown.

### DESCRIPTION

FIG. 1 is a front, top and left side perspective view of a coffee maker showing our new design; FIG. 2 is a front elevational view thereof; FIG. 3 is a right side elevational view thereof; FIG. 4 is a top plan view thereof; FIG. 5 is a bottom plan view thereof; FIG. 6 is a rear elevational view thereof; and, FIG. 7 is a left side elevational view thereof.

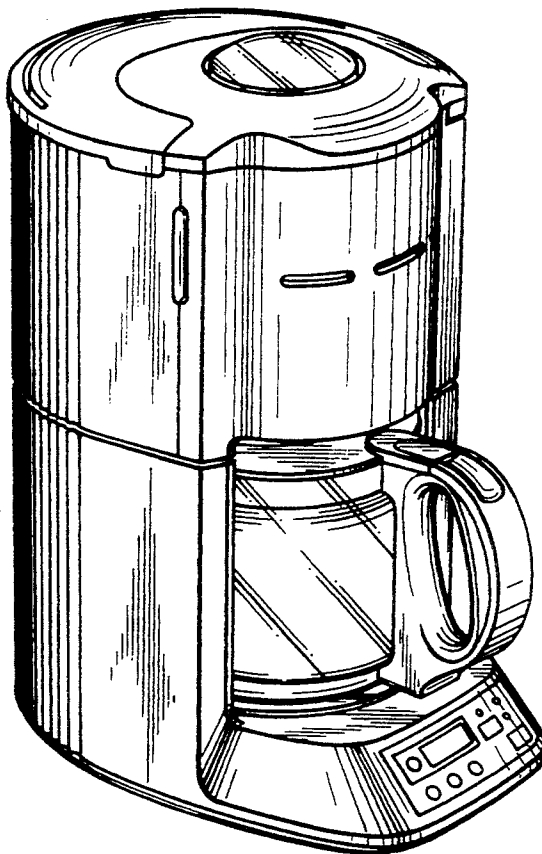


FIG. 2

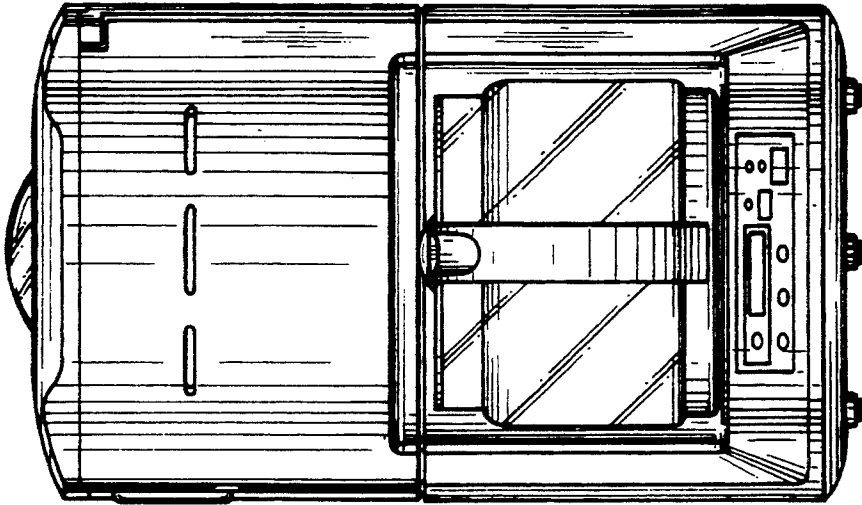


FIG. 1

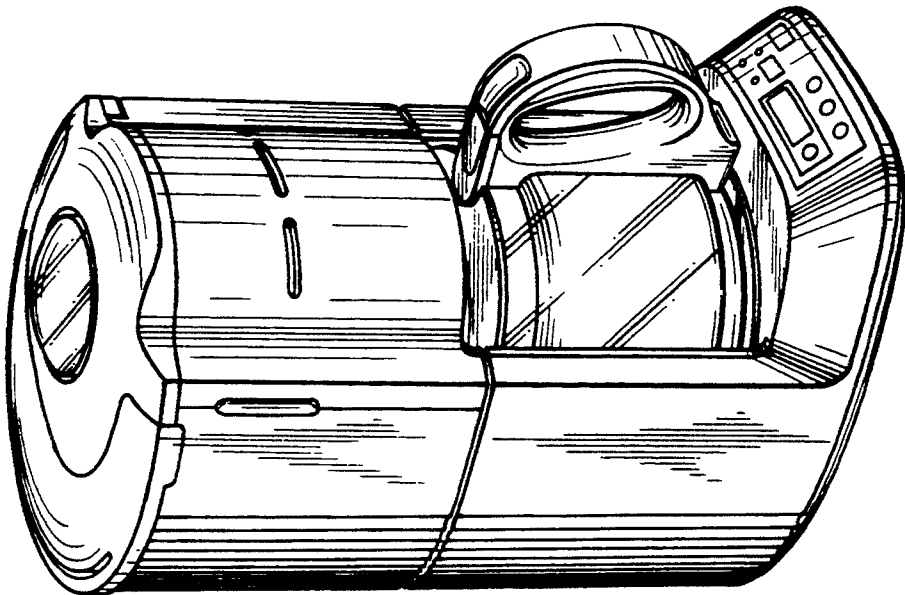


FIG. 3

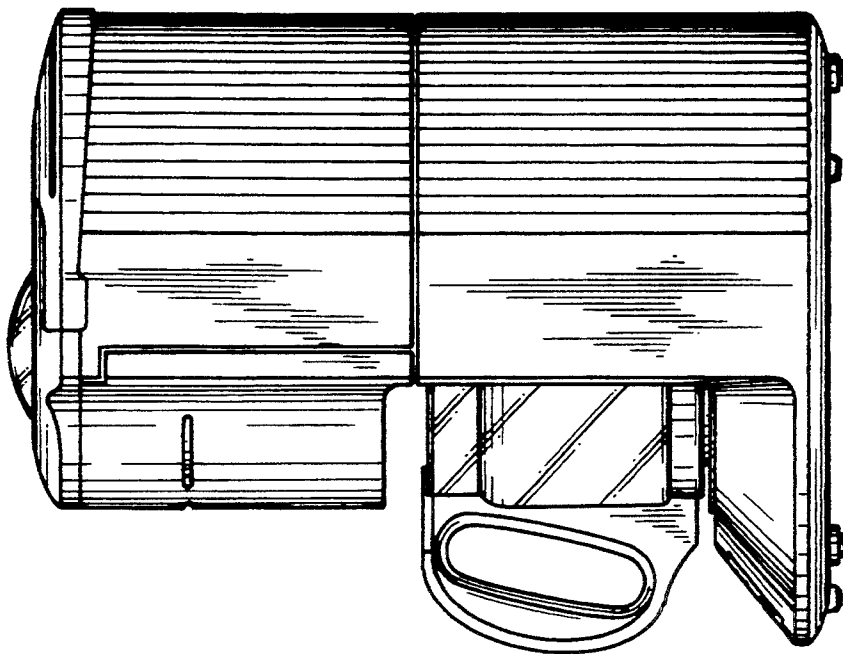


FIG. 4

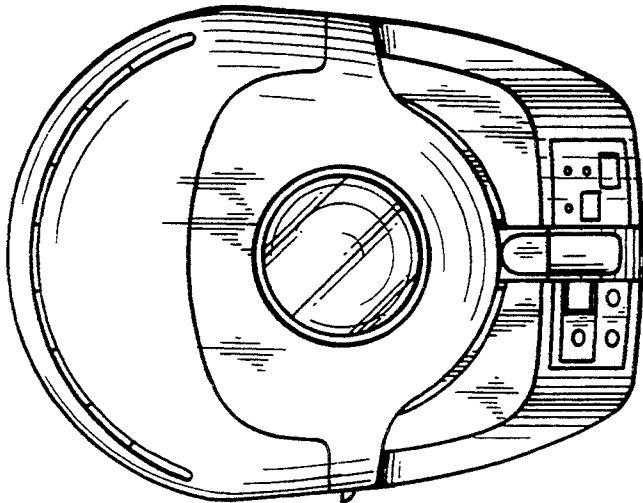


FIG. 5

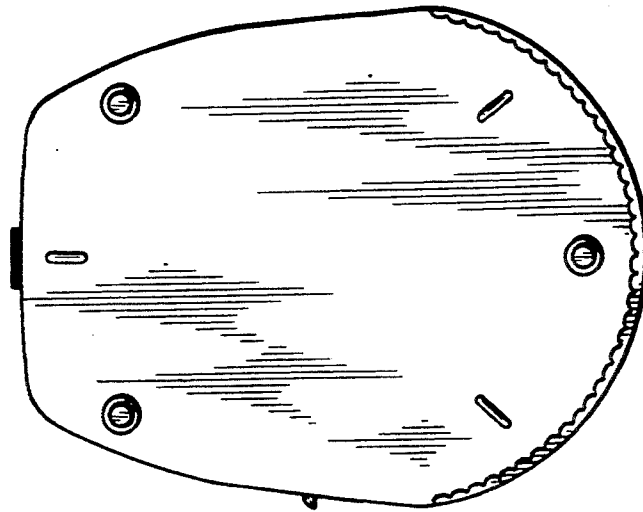


FIG. 7

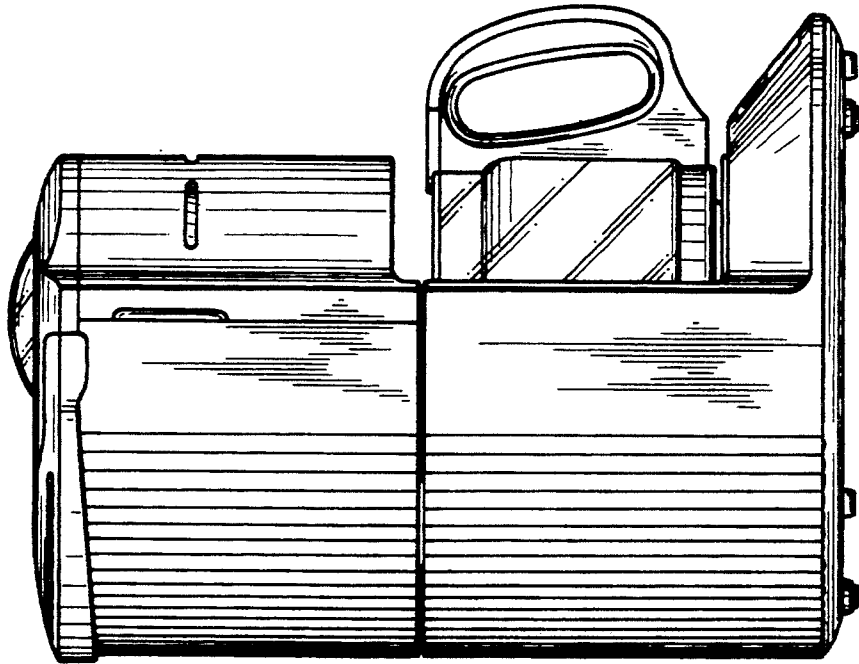


FIG. 6

