



US00D987635S

(12) **United States Design Patent**  
**Wu et al.**

(10) **Patent No.:** **US D987,635 S**  
(45) **Date of Patent:** **\*\* May 30, 2023**

(54) **INFORMATION HANDLING SYSTEM  
STYLUS**

(71) Applicant: **Dell Products L.P.**, Round Rock, TX  
(US)

(72) Inventors: **Tung Chen Wu**, Taipei (TW); **Antonio  
T. Latto**, Austin, TX (US); **Chih-Tung  
Kao**, Taipei (TW)

(73) Assignee: **Dell Products L.P.**, Round Rock, TX  
(US)

(\*\*) Term: **15 Years**

(21) Appl. No.: **29/803,033**

(22) Filed: **Aug. 10, 2021**

(51) **LOC (14) Cl.** ..... **14-02**

(52) **U.S. Cl.**

USPC ..... **D14/411**

(58) **Field of Classification Search**

USPC ..... D14/372, 496, 432, 371, 125, 126, 129,  
D14/299, 411; D16/300-342; 351/158,  
351/153, 144; 345/7-9, 905; 455/344;  
348/115, 53, 121, 739

CPC ..... G02B 27/017; G06F 3/016; G06F 3/033;  
G06F 3/0317; G06F 3/03545; G06F  
3/041; G06K 9/222

See application file for complete search history.

(56) **References Cited**

**U.S. PATENT DOCUMENTS**

D835,106 S	12/2018	Hsu	
D841,737 S	2/2019	Hallar	
D911,342 S	2/2021	Menendez	
D915,405 S *	4/2021	Lee	D14/411
D920,979 S *	6/2021	Lam	D14/411
D938,424 S *	12/2021	Kanno	D14/411

D944,801 S *	3/2022	Huang	D14/411
D951,947 S *	5/2022	Jin	D14/411
D954,055 S *	6/2022	Liu	D14/411
D970,504 S *	11/2022	Zhao	D14/411
D970,505 S *	11/2022	Cai	D14/411

**OTHER PUBLICATIONS**

Apple, "Apple Pencil," downloaded from <https://www.apple.com/apple-pencil/> on Aug. 6, 2021, 8 pages.

(Continued)

*Primary Examiner* — Austin Murphy

(74) *Attorney, Agent, or Firm* — Zagorin Cave LLP;  
Robert W. Holland

(57) **CLAIM**

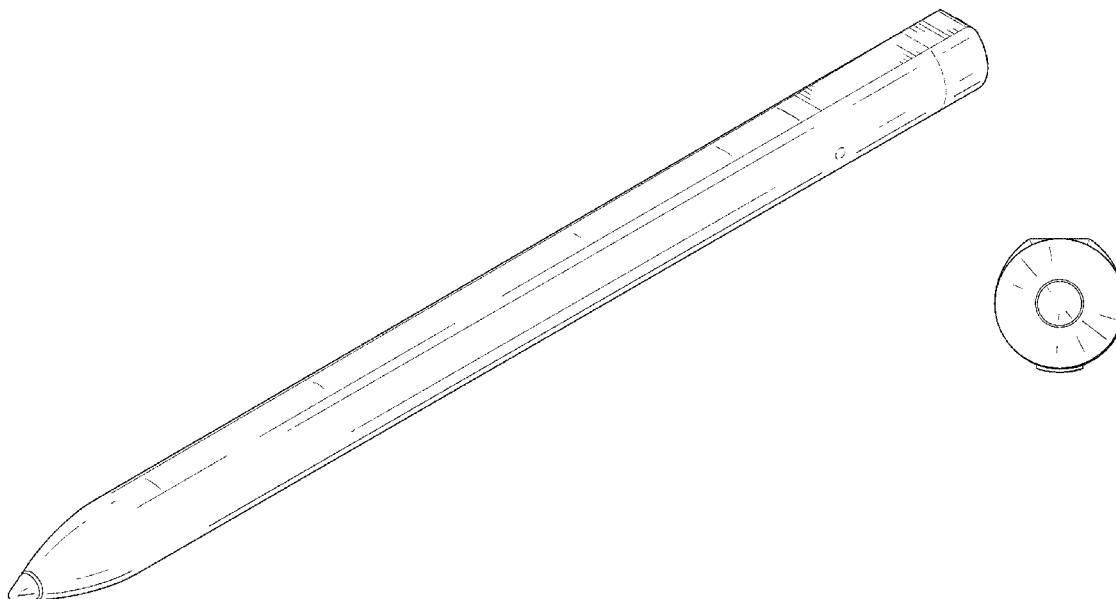
The ornamental design for an information handling system stylus, as shown and described.

**DESCRIPTION**

FIG. 1 is a front perspective view of the information handling system stylus comprising the present invention; FIG. 2 is a front elevation view thereof; FIG. 3 is a rear elevation view thereof; FIG. 4 is a right side view thereof; FIG. 5 is a left side view thereof; FIG. 6 is a top view thereof; FIG. 7 is a bottom view thereof; FIG. 8 is a rear perspective view thereof; FIG. 9 is a cross-sectional view thereof as indicated by FIG. 4; FIG. 10 is a cross-sectional view thereof as indicated by FIG. 4; and, FIG. 11 is a cross-sectional view thereof as indicated by FIG. 4.

Broken lines shown in the drawings illustrate portions of the information handling system stylus, and form no part of the claimed design.

**1 Claim, 6 Drawing Sheets**



(56)

**References Cited**

OTHER PUBLICATIONS

HP, "HP Rechargeable Active Pen G3," downloaded from <https://www.hp.com/us-en/shop/pdp/hp-rechargeable-active-pen-g3> on Aug. 6, 2021, 2 pages.

Lenovo, Lenovo Pen Pro, downloaded from <https://www.lenovo.com/us/en/accessories-and-monitors/stylus-pens-and-supplies/pens/TAB-ACC-BO-Lenovo-Pen-Pro-ROW/p/4X80R02889> on Aug. 6, 2021, 3 pages.

Microsoft, Surface Pen—Platinum, downloaded from <https://www.microsoft.com/en-us/d/surface-pen/8z15c82qmg6b?activetab=pivotoverviewtab> on Aug. 6, 2021, 7 pages.

Wacom, "Bamboo™ Ink," screenshot from <https://www.wacom.com/en-us/products/stylus/bamboo-ink> on Aug. 10, 2021, 1 page.

\* cited by examiner

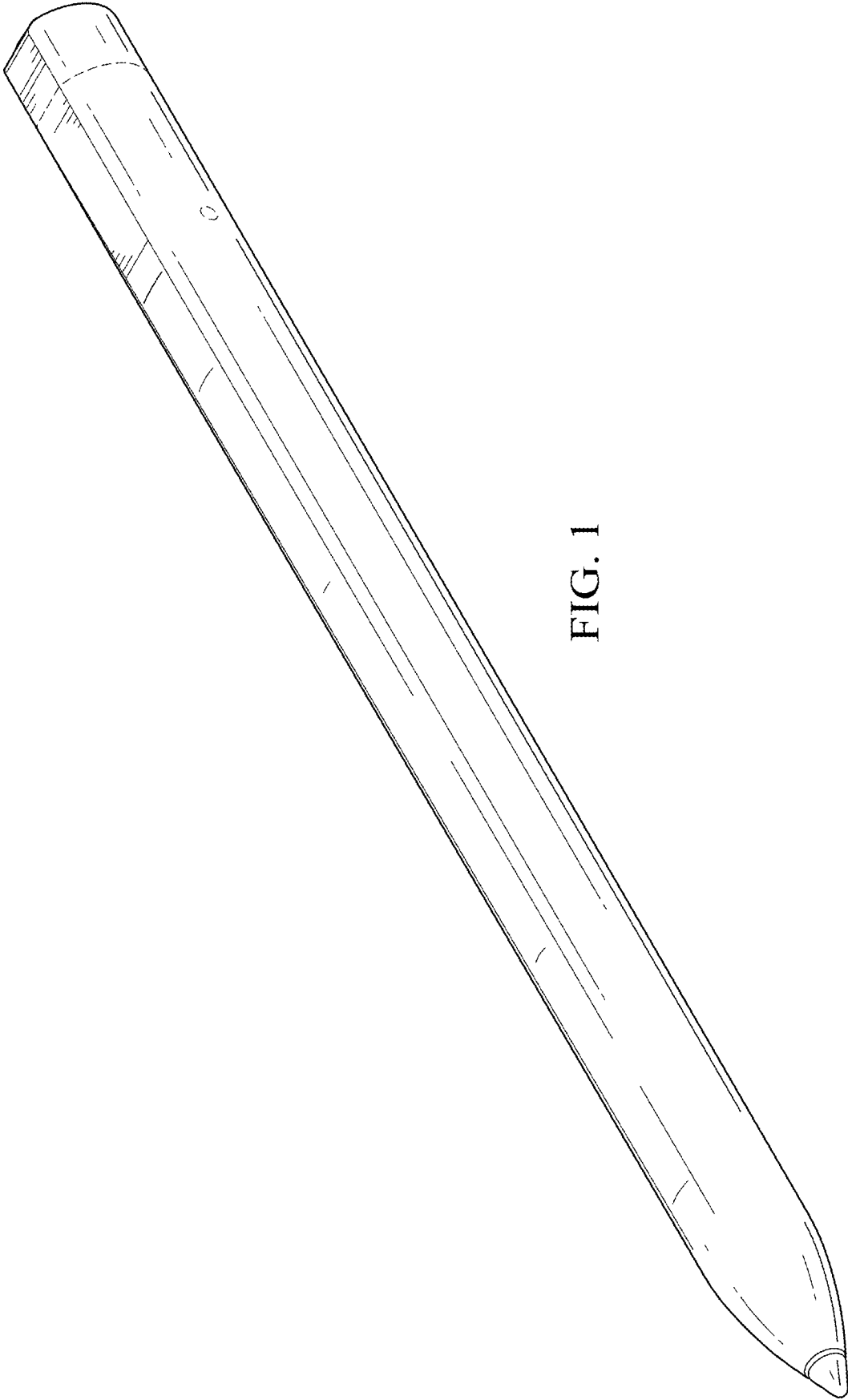


FIG. 1

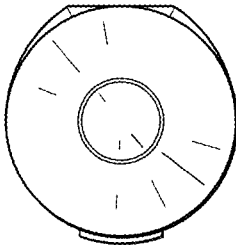


FIG. 2

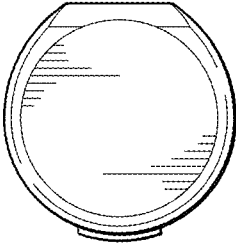


FIG. 3

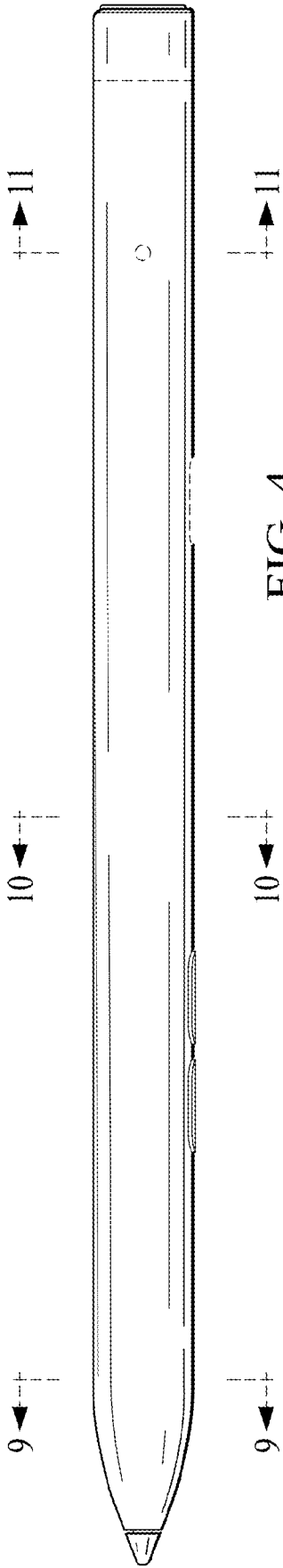


FIG. 4

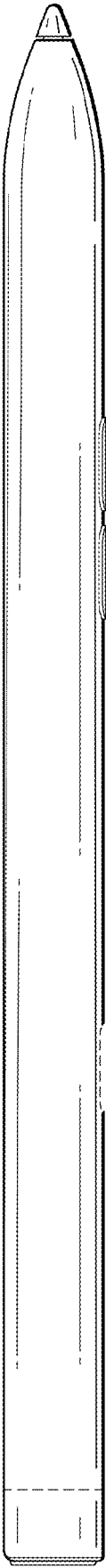


FIG. 5

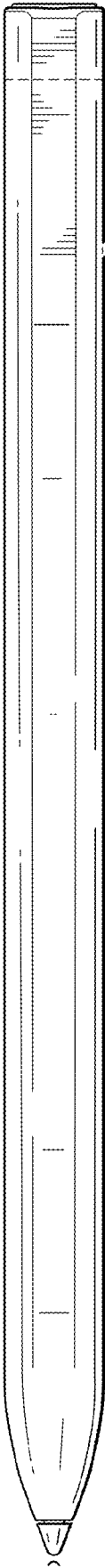


FIG. 6

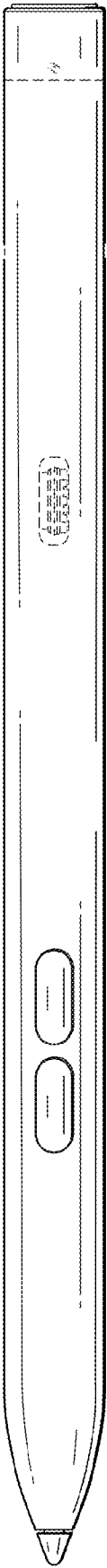


FIG. 7

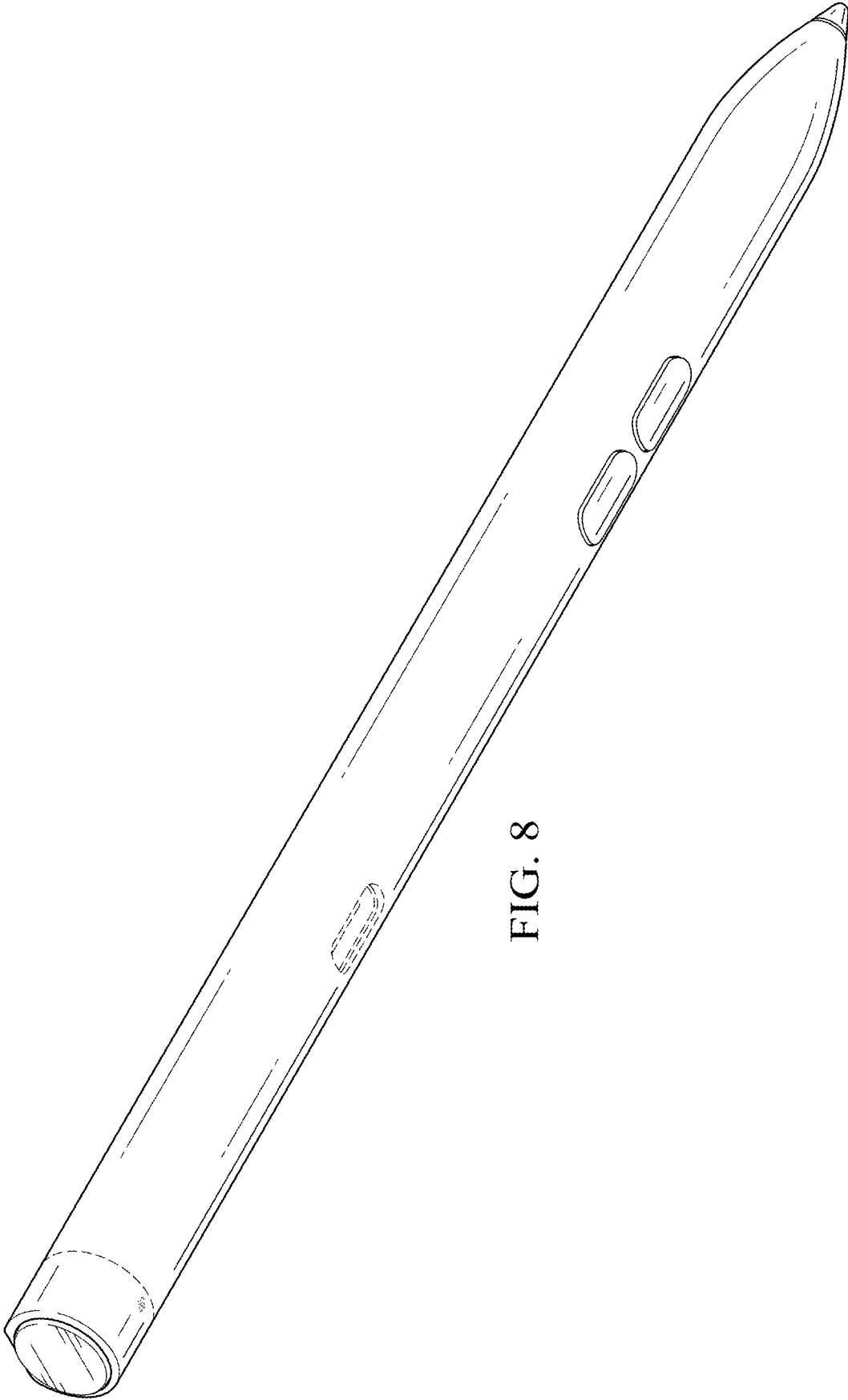


FIG. 8

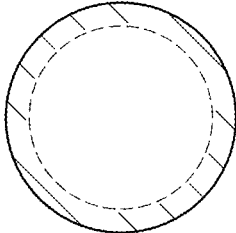


FIG. 9

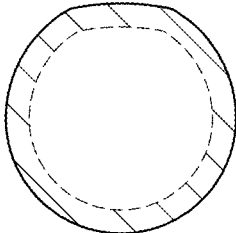


FIG. 10

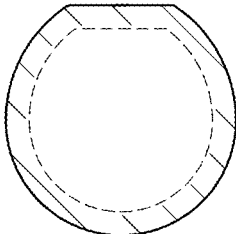


FIG. 11