

- [54] **WATER CLOSET FLUSH TANK**
- [75] **Inventor:** Bruce R. Thompson, Tranmere, Australia
- [73] **Assignee:** UPL Group Limited, Brisbane, Australia
- [**] **Term:** 14 Years
- [21] **Appl. No.:** 182,035
- [22] **Filed:** Aug. 28, 1980
- [30] **Foreign Application Priority Data**
 May 1, 1980 [AU] Australia 80,839
- [51] **Int. Cl.** D23-02
- [52] **U.S. Cl.** D23/66
- [58] **Field of Search** D23/65-67;
 4/325, 353

D. 226,432	3/1973	Anderson	D23/66
3,654,637	4/1972	Young	4/353
3,760,428	9/1973	Korol	4/353
4,145,767	3/1979	Ibel	4/353
4,162,548	7/1979	Groombridge et al.	4/353 X
4,219,895	9/1980	Thompson	4/325
4,304,014	12/1981	Thompson	4/325

Primary Examiner—James R. Largen
Attorney, Agent, or Firm—McDougall, Hersh & Scott

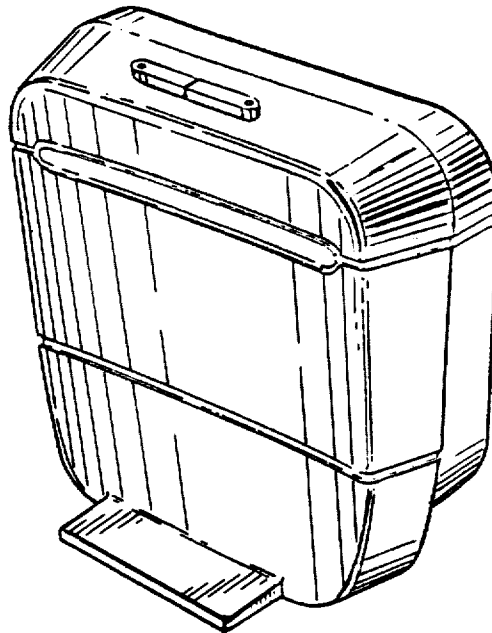
[57] **CLAIM**

The ornamental design for a water closet flush tank, as shown and described.

DESCRIPTION

FIG. 1 is a perspective view taken from the top, front and right side of a water closet flush tank showing my new design;
 FIG. 2 is a top plan view thereof;
 FIG. 3 is a bottom plan view thereof;
 FIG. 4 is a front elevational view thereof;
 FIG. 5 is a rear elevational view thereof; and
 FIG. 6 is a left side elevational view thereof, the right side being a mirror image of the left side shown.

- [56] **References Cited**
U.S. PATENT DOCUMENTS
 D. 85,560 11/1931 Tilden D23/66



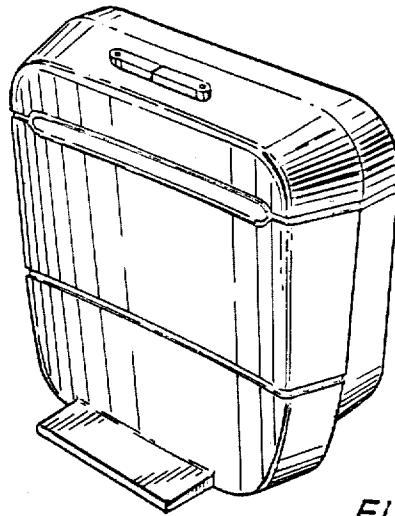


FIG. 1

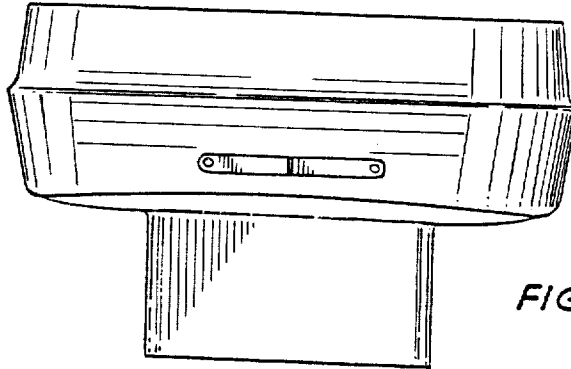


FIG. 2

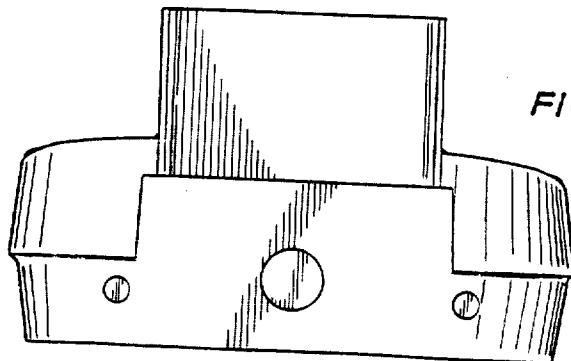


FIG. 3

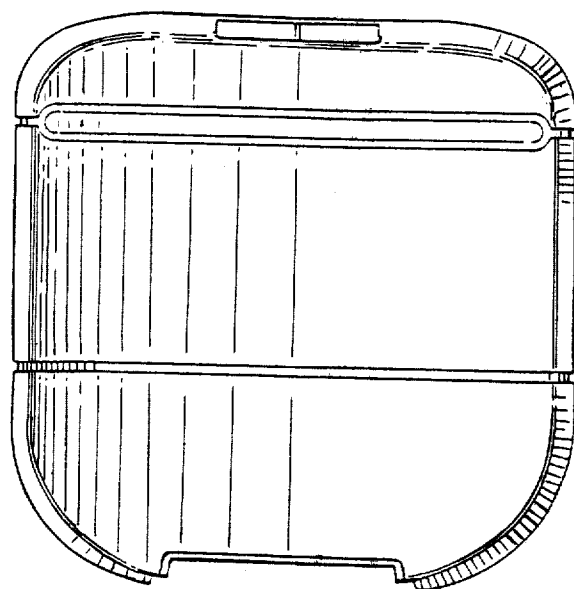


FIG. 4

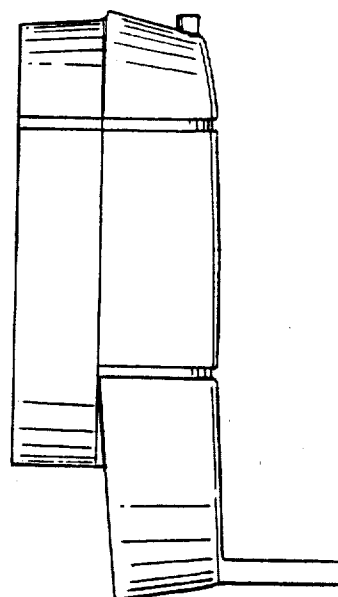


FIG. 6

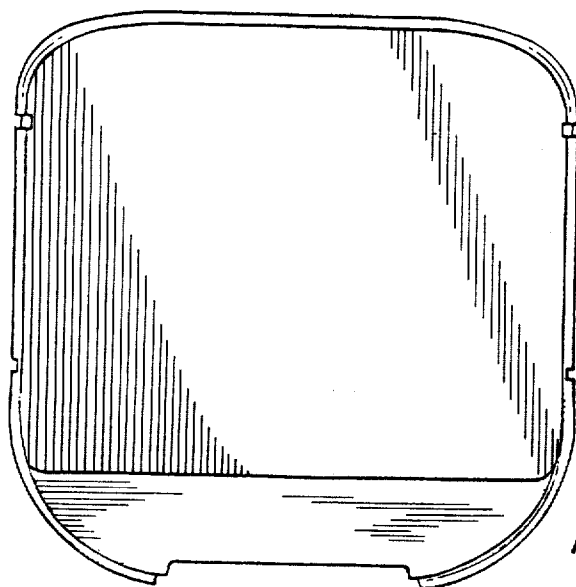


FIG. 5