



US00D722389S

(12) **United States Design Patent**  
**Armon et al.**

(10) **Patent No.:** **US D722,389 S**

(45) **Date of Patent:** **\*\* Feb. 10, 2015**

- (54) **ARCHITECTURAL COMPONENT**
- (71) Applicants: **Robert A Armon**, Denver, CO (US);  
**Ryan Carter**, Thornton, CO (US)
- (72) Inventors: **Robert A Armon**, Denver, CO (US);  
**Ryan Carter**, Thornton, CO (US)
- (73) Assignee: **Robert A. Armon**, Denver, CO (US)
- (\*\*) Term: **14 Years**

(21) Appl. No.: **29/446,000**

(22) Filed: **Feb. 19, 2013**

(51) **LOC (10) Cl.** ..... **25-01**

(52) **U.S. Cl.**  
USPC ..... **D25/113**

(58) **Field of Classification Search**  
USPC ..... D25/106, 113; D30/160; 273/160;  
404/41; 405/21, 29, 33; D32/29.1, 35,  
D32/40, 41; D1/106, 125, 199; 601/46, 131,  
601/136; D21/398, 479, 707, 713; D7/505;  
D11/1

See application file for complete search history.

(56) **References Cited**

**U.S. PATENT DOCUMENTS**

1,099,159	A *	6/1914	Banic	273/160
1,268,470	A *	6/1918	Johnson	606/235
D206,120	S *	11/1966	Johnson	D25/199
3,380,253	A *	4/1968	Vita	405/29
3,456,446	A *	7/1969	Sugiaki	405/29
3,546,049	A *	12/1970	Kostick	52/650.2
3,753,553	A *	8/1973	Bockting	256/1
D301,161	S *	5/1989	Dunse	D21/707
5,190,403	A *	3/1993	Atkinson	405/29

5,297,981	A *	3/1994	Maxim et al.	446/437
D372,749	S *	8/1996	Klundt	D21/707
D378,536	S *	3/1997	Fireman et al.	D21/707
5,908,342	A *	6/1999	Wolvin	446/124
5,941,527	A *	8/1999	Selton	273/276
6,123,599	A *	9/2000	Chiang	446/397
D501,698	S *	2/2005	McNamara	D1/199
D515,254	S *	2/2006	Jager	D30/160
D519,588	S *	4/2006	Carbonero	D21/707
D540,741	S *	4/2007	Pols	D13/100
D554,811	S *	11/2007	Rutherford	D30/160
D568,424	S *	5/2008	Nelson et al.	D21/707
D582,998	S *	12/2008	Chernick et al.	D21/707
D645,704	S *	9/2011	Rodrigues	D7/505
D685,034	S *	6/2013	Naum	D21/398
8,608,600	B2 *	12/2013	Naum	473/614
2007/0270233	A1 *	11/2007	Ruston	473/280

\* cited by examiner

*Primary Examiner* — Barbara Fox

*Assistant Examiner* — Chelsea Sealey

(74) *Attorney, Agent, or Firm* — Sheridan Ross P.C.

(57) **CLAIM**

The ornamental design for an architectural component, as shown and described.

**DESCRIPTION**

FIG. 1 is a perspective view of an architectural component showing our new design;

FIG. 2 is a front elevation view thereof;

FIG. 3 is a right elevation view thereof;

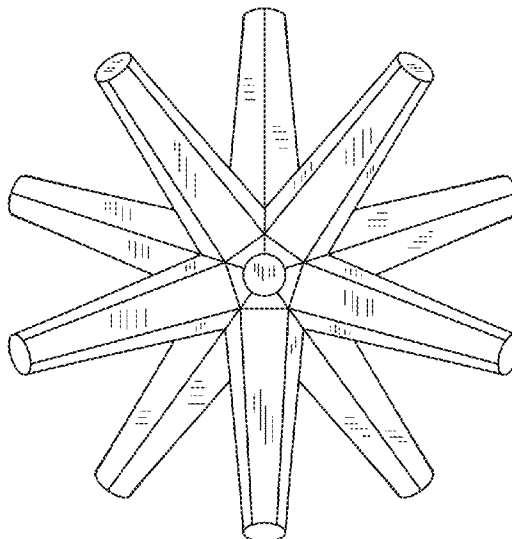
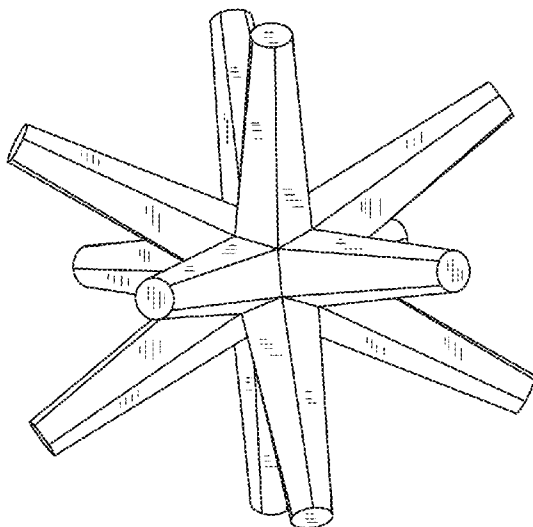
FIG. 4 is a left elevation view thereof;

FIG. 5 is a rear elevation view thereof;

FIG. 6 is a top plan view thereof; and,

FIG. 7 is a bottom plan view thereof.

**1 Claim, 4 Drawing Sheets**



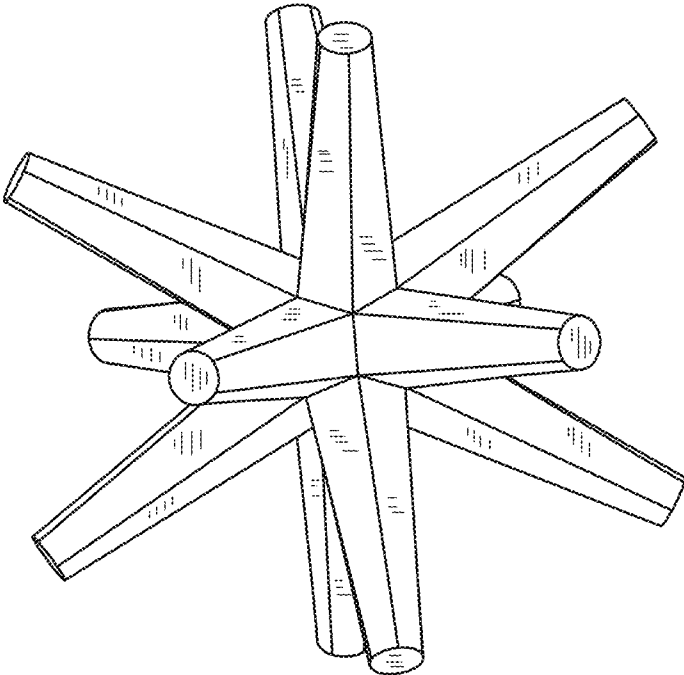


FIG.1

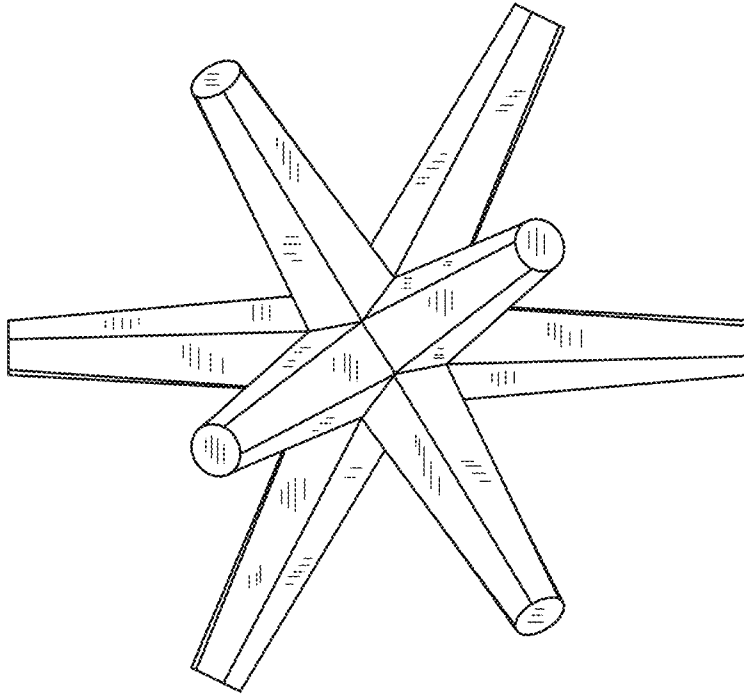


FIG.3

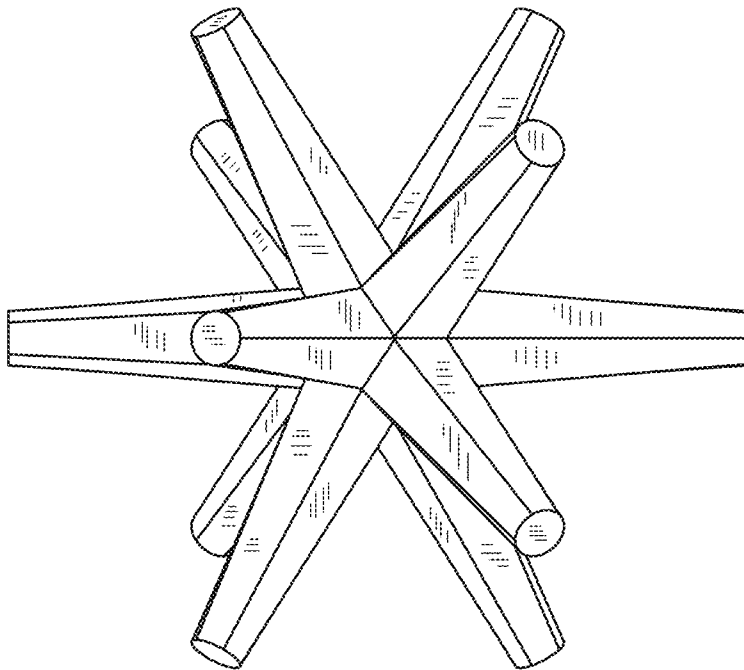


FIG.2

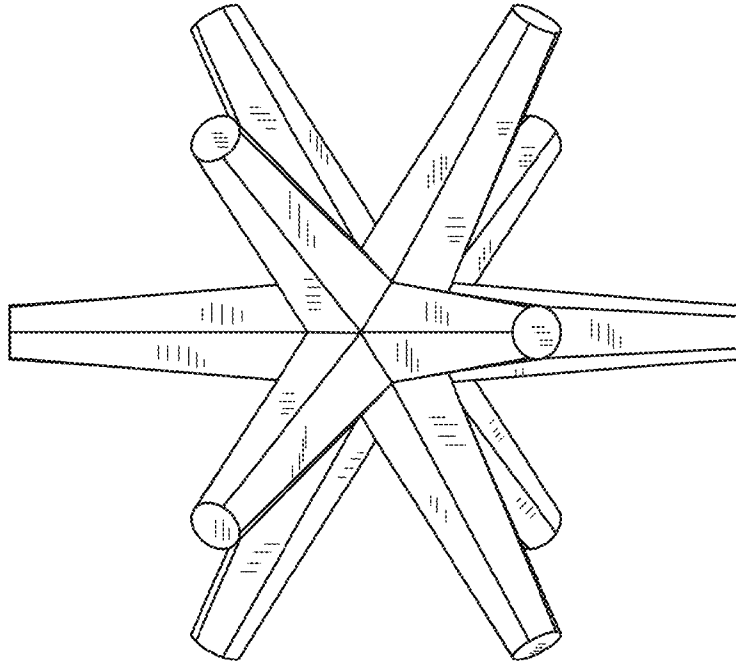


FIG. 5

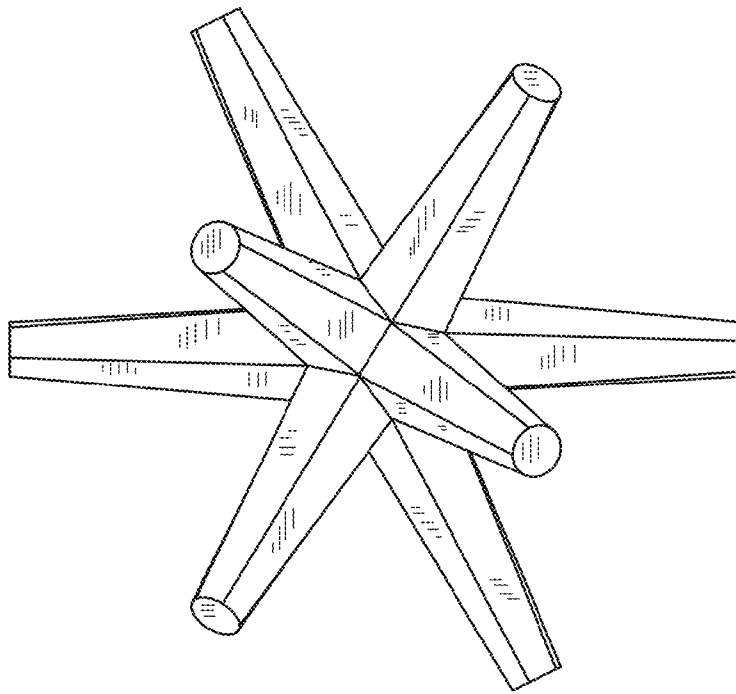


FIG. 4

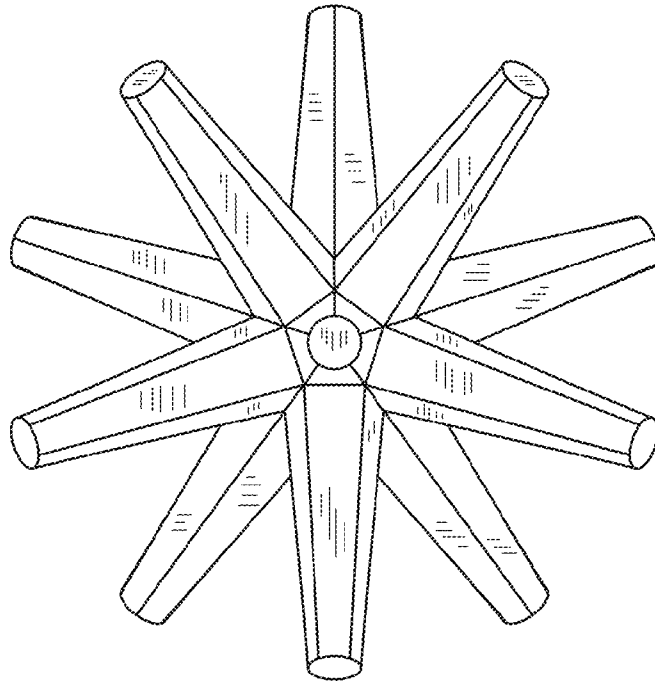


FIG. 6

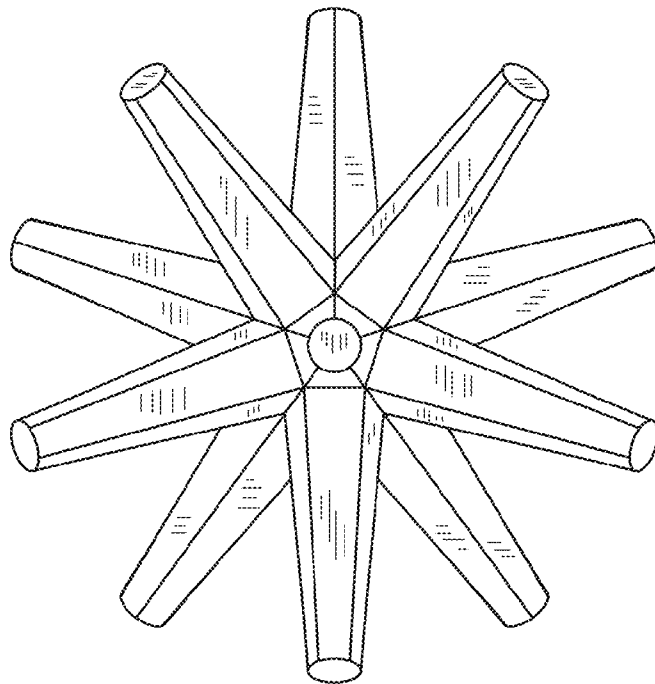


FIG. 7