



US00D769859S

(12) **United States Design Patent**
Herbst et al.

(10) **Patent No.:** **US D769,859 S**

(45) **Date of Patent:** **** Oct. 25, 2016**

- (54) **MOUNT FOR AN ELECTRONIC DEVICE**
- (71) Applicant: **Logitech Europe S.A.**, Lausanne (CH)
- (72) Inventors: **Scot Herbst**, Santa Cruz, CA (US);
Kuo-yu (Gloria) Kao, Hsinchu (TW);
Shyh-Dean Chen, Hsinchu (TW);
Chih-Yueh Lin, Taichung (TW);
Frederic Frappereau, Menlo Park, CA (US); **Jose Froilan P. Lomotan**, San Jose, CA (US); **Bruce Lancaster**, Palo Alto, CA (US); **Derek Tarnow**, Mountain View, CA (US); **Nicolas Chauvin**, Chexbres (CH); **Ariel Fischer**, San Francisco, CA (US)
- (73) Assignee: **LOGITECH EUROPE S.A.**, Lausanne (CH)

(**) Term: **15 Years**

(21) Appl. No.: **29/535,779**

(22) Filed: **Aug. 10, 2015**

(51) **LOC (10) Cl.** **14-03**

(52) **U.S. Cl.**

USPC **D14/253**

(58) **Field of Classification Search**

USPC D14/253, 251, 252, 447, 451, 452, 440, D14/434, 458, 432, 439, 457, 460, 238.1, D14/140, 142, 149, 217, 148, 140.8, 140.11, D14/209.1, 151, 140.9, 250, 238; D13/107, D13/108; D12/415, 223, 114, 420, 417, D12/407, 177; D3/218; D16/242-245, 250, D16/237, 203, 214, 219; D8/349; D6/675, D6/672, 673, 675.4, 553, 676, 310, 406.3, D6/406.4, 406.5, 406.6, 407, 567, 300, D6/682.3, 396; 248/459, 460; 224/483

CPC B60R 2011/0008; B60R 11/02; B60R 11/0241; B60R 11/0258; B60R 11/0252; B60R 2011/0294; F16M 11/00; F16M 11/04; F16M 11/041; F16M 11/02; F16M 11/06; F16M 13/00; H04M 1/02; H04M 1/04; H04M 1/11; H04M 1/12; A47F 7/022; B62J 11/00; H05K 7/00; G03B 17/56

See application file for complete search history.

(56) **References Cited**

U.S. PATENT DOCUMENTS

D652,836 S *	1/2012	Voorhees	D14/238.1
D690,707 S *	10/2013	Minn	D14/447
D692,898 S *	11/2013	Luijben	D14/447
D693,818 S *	11/2013	Webber	D14/439
8,584,996 B2 *	11/2013	Chung	A47B 23/042 248/149
D696,259 S *	12/2013	Howarth	D14/447
D709,065 S *	7/2014	Guyot	D14/253
D709,066 S *	7/2014	Byun	D14/253
D711,366 S *	8/2014	Lui	D14/253
D713,398 S *	9/2014	Alesi	D14/253
D719,146 S *	12/2014	Herbst	D14/253

(Continued)

Primary Examiner — Susan Bennett Hattan

Assistant Examiner — Janice Hallmark

(74) *Attorney, Agent, or Firm* — Patterson & Sheridan, LLP.

(57) **CLAIM**

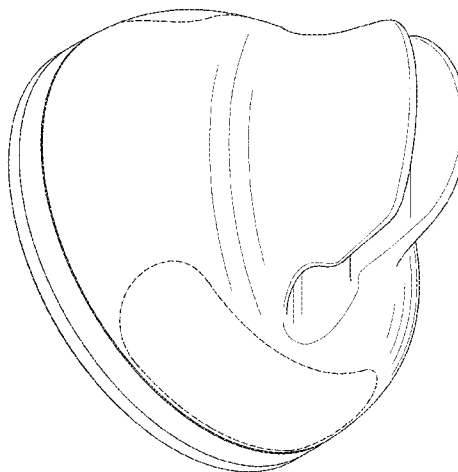
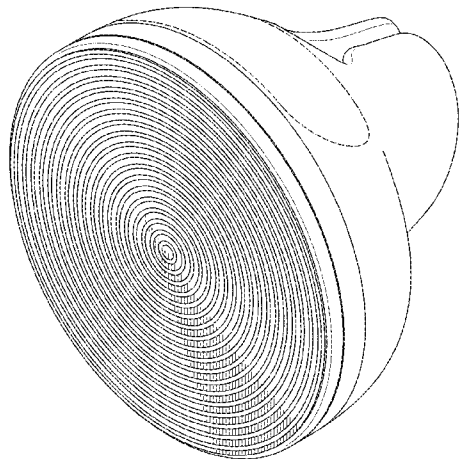
The ornamental design for a mount for an electronic device, as shown and described.

DESCRIPTION

FIG. 1 is a top front perspective view of a mount for an electronic device showing our new design;
 FIG. 2 is a bottom rear perspective view thereof;
 FIG. 3 a front elevational view thereof;
 FIG. 4 is a right side elevational view thereof;
 FIG. 5 is a rear elevational view thereof;
 FIG. 6 is a left side elevational view thereof; and,
 FIG. 7 is a top plan view thereof, the bottom plan view being identical.

The broken lines in the drawings depict parts of the mount for an electronic device that form no part of the claimed design.

1 Claim, 7 Drawing Sheets



US D769,859 S

Page 2

(56)

References Cited

U.S. PATENT DOCUMENTS

D746,807 S *	1/2016	McGarry	D14/253	2014/0135062 A1 *	5/2014	Bevirt	H04M 1/04 455/556.1
D748,615 S *	2/2016	Lee	D14/251	2014/0138419 A1 *	5/2014	Minn	B60R 11/0241 224/567
D750,612 S *	3/2016	Chen	D14/253	2016/0082893 A1 *	3/2016	Ormsbee	B60R 11/0241 224/558
D757,705 S *	5/2016	Esses	D14/251				
2012/0329534 A1 *	12/2012	Barnett	F16M 11/10 455/575.8				

* cited by examiner

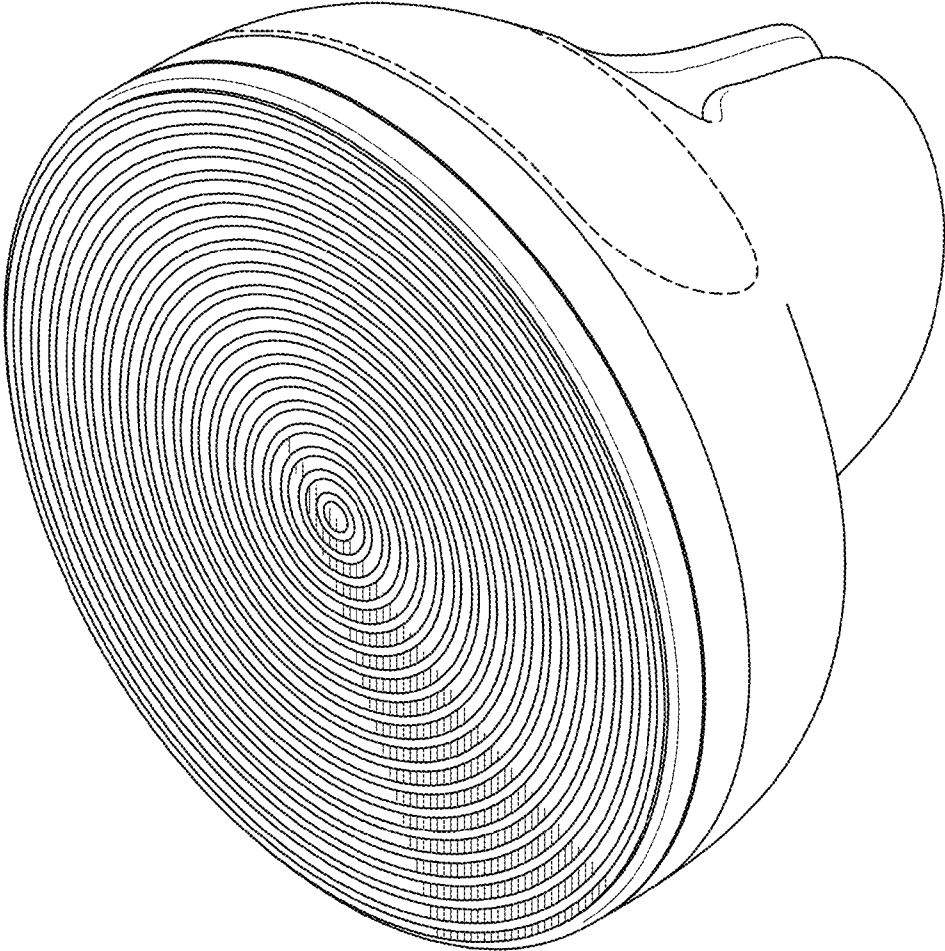


Fig. 1

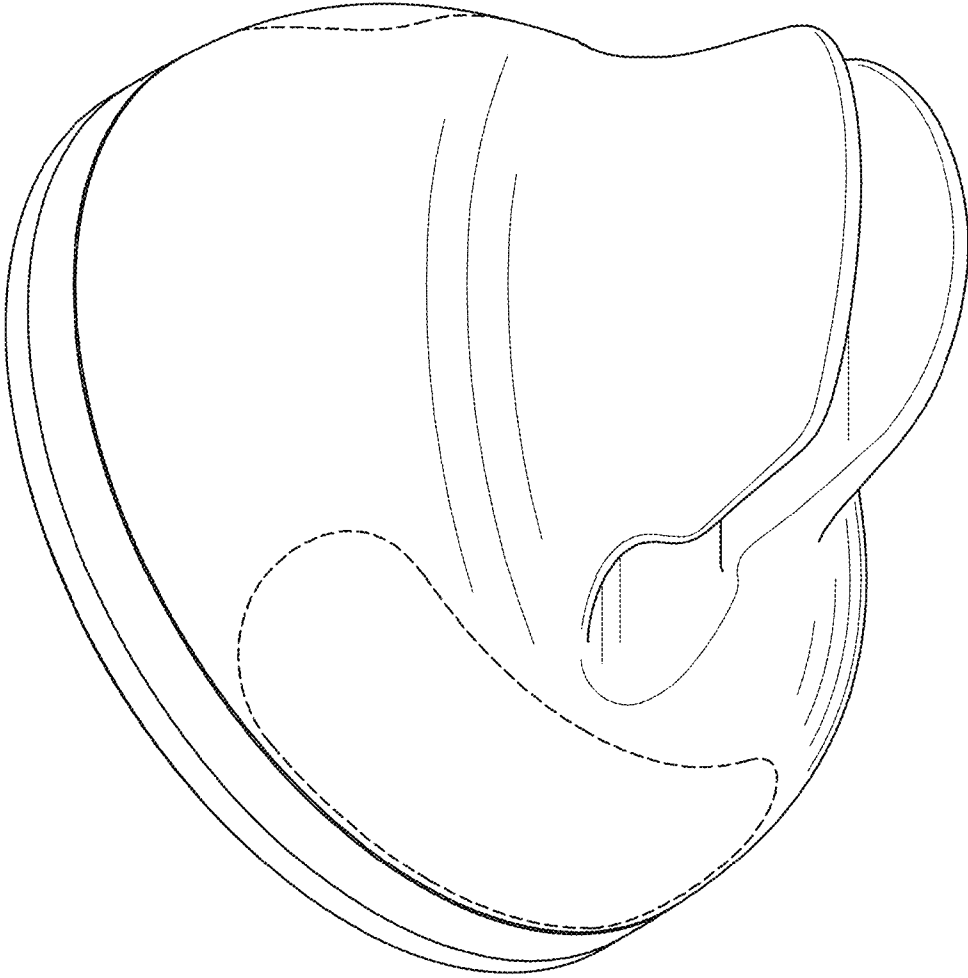


Fig. 2

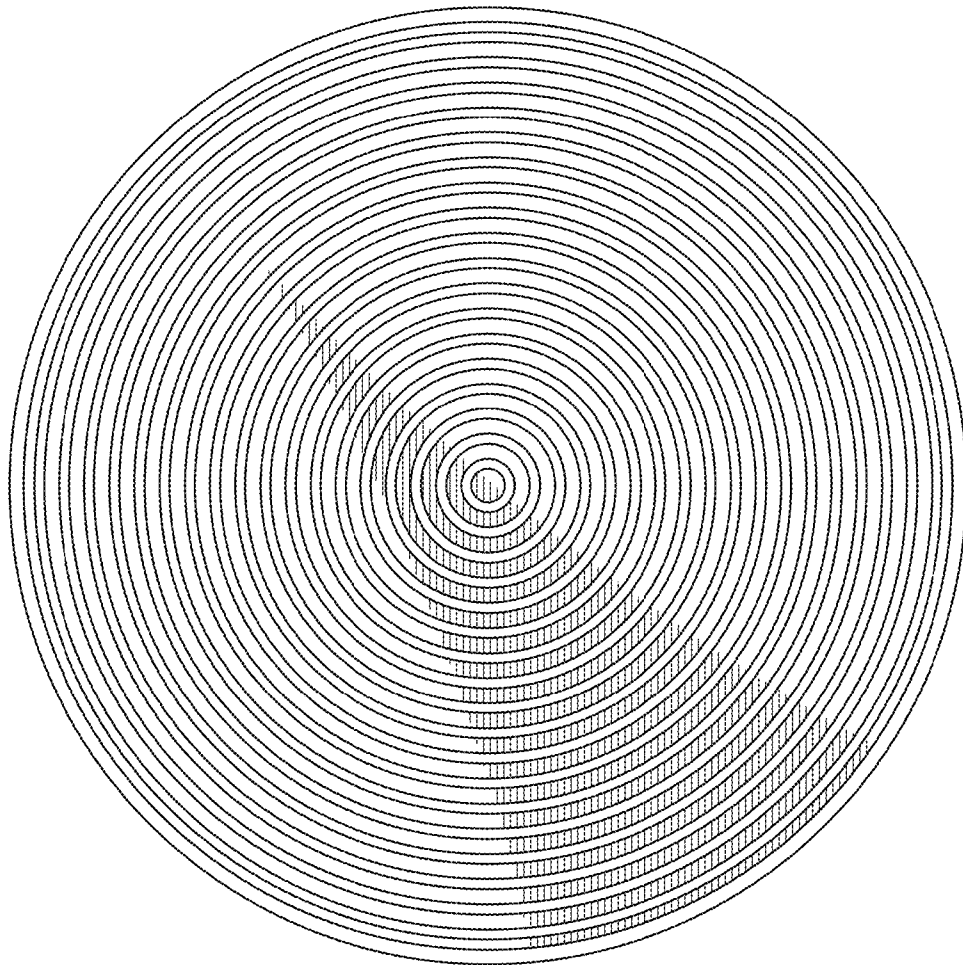


Fig. 3

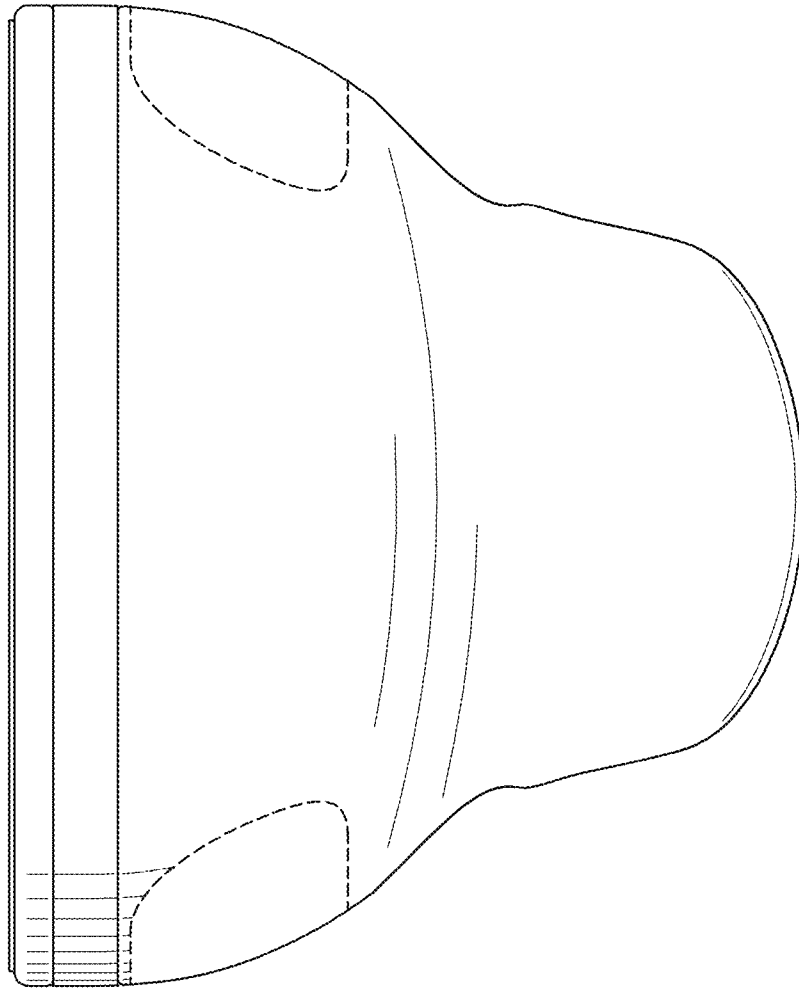


Fig. 4

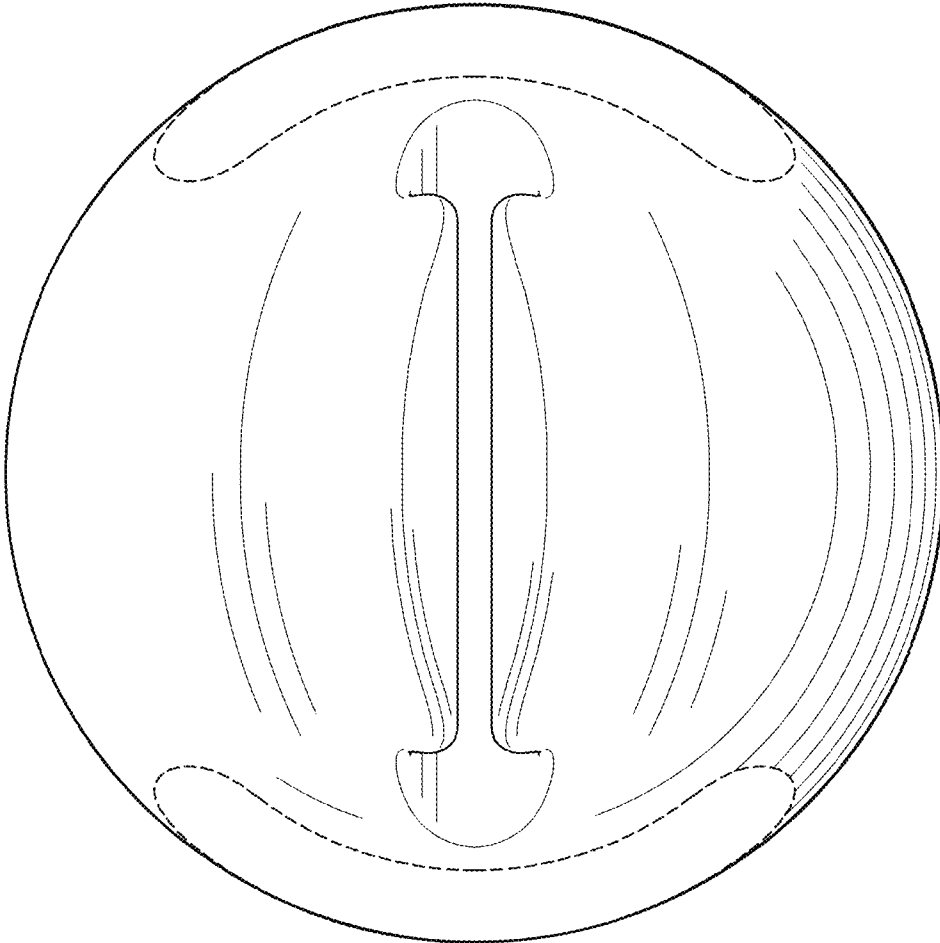


Fig. 5

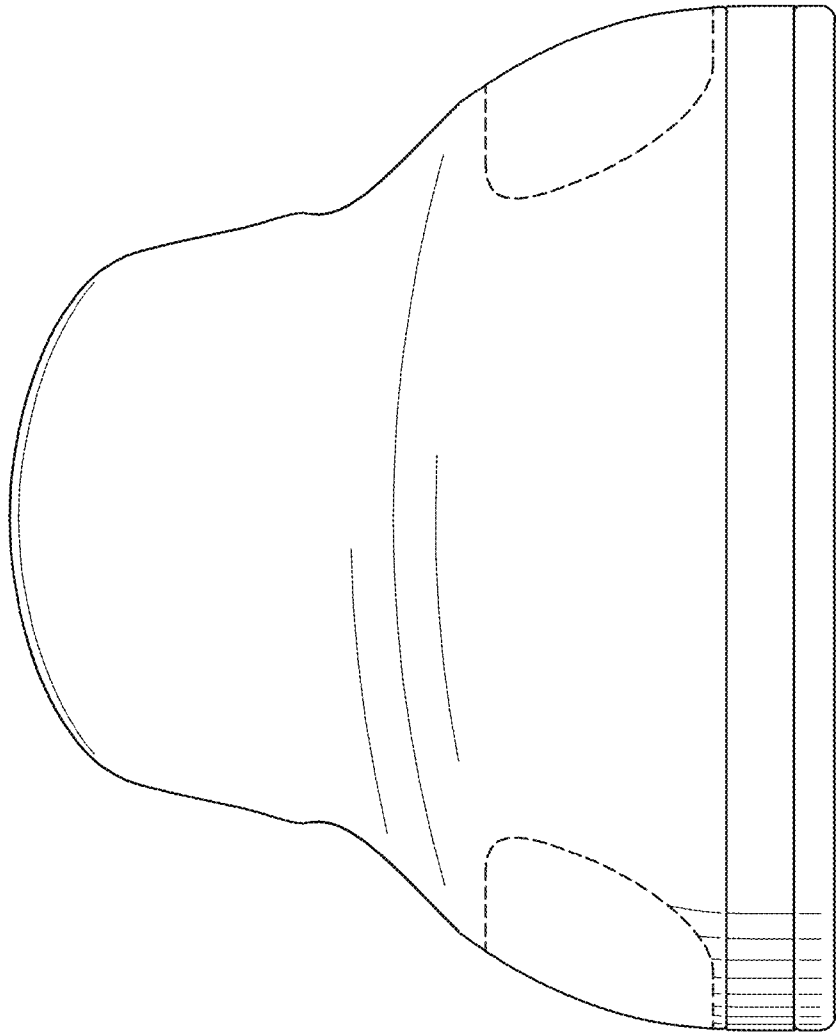


Fig. 6

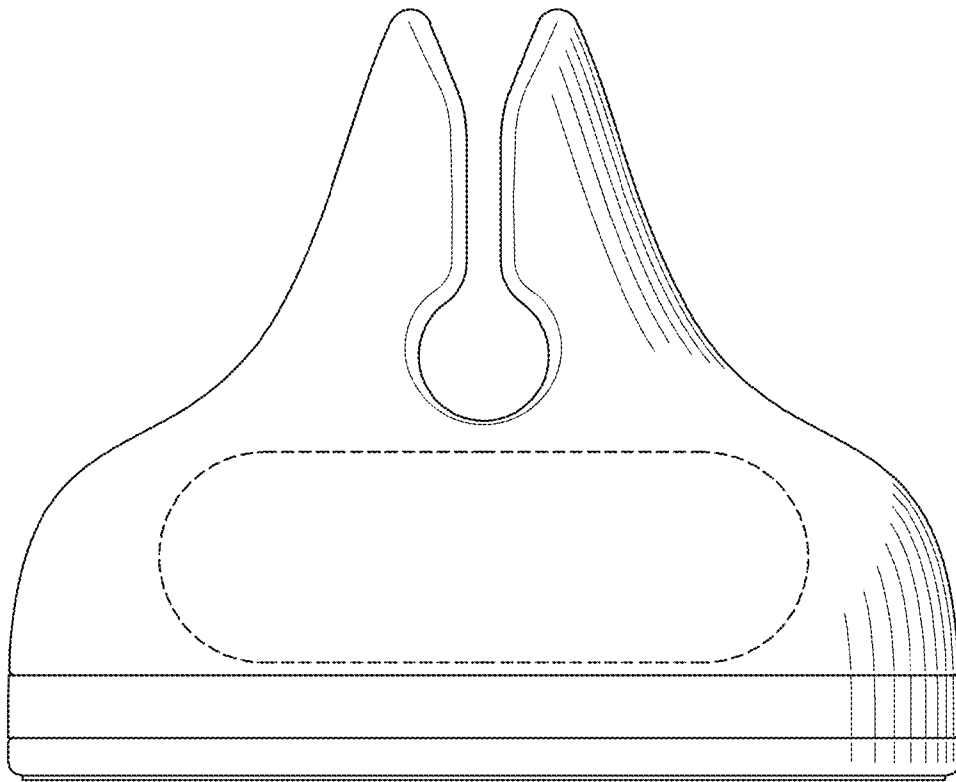


Fig. 7